



US00D788287S

(12) **United States Design Patent**
Koster

(10) **Patent No.:** **US D788,287 S**

(45) **Date of Patent:** **** May 30, 2017**

(54) **SEXUALLY TRANSMITTED DISEASE PROTECTIVE GARMENT**

(71) Applicant: **Alan Koster**, DeMotte, IN (US)

(72) Inventor: **Alan Koster**, DeMotte, IN (US)

(**) Term: **14 Years**

(21) Appl. No.: **29/519,918**

(22) Filed: **Mar. 9, 2015**

(51) **LOC (10) Cl.** **24-04**

(52) **U.S. Cl.**
USPC **D24/105; D2/713**

(58) **Field of Classification Search**
USPC D24/105, 190; D2/712, 713, 742
CPC A61F 6/041; A61F 2006/041; A41B 9/005;
A41B 9/12; A41B 9/026
See application file for complete search history.

(56) **References Cited**

U.S. PATENT DOCUMENTS

2,822,807	A *	2/1958	Heyman	A41B 9/02 2/404
4,807,611	A *	2/1989	Johnson	A61F 6/065 128/844
D419,233	S *	1/2000	Brodie	D24/105
D527,167	S *	8/2006	Connelly, Jr.	D2/713
D711,072	S *	8/2014	Schulz	D2/712
2002/0134389	A1 *	9/2002	Badgett	A61F 5/453 128/844
2010/0300453	A1 *	12/2010	Wells	A61F 5/41 128/844

2011/0047677	A1 *	3/2011	Okuno	A41B 9/02 2/403
2014/0317821	A1 *	10/2014	Berns	A61F 6/04 2/69
2015/0128958	A1 *	5/2015	Shah	A41B 9/026 128/846

* cited by examiner

Primary Examiner — Lakiya Rogers
Assistant Examiner — Richelle G Shelton

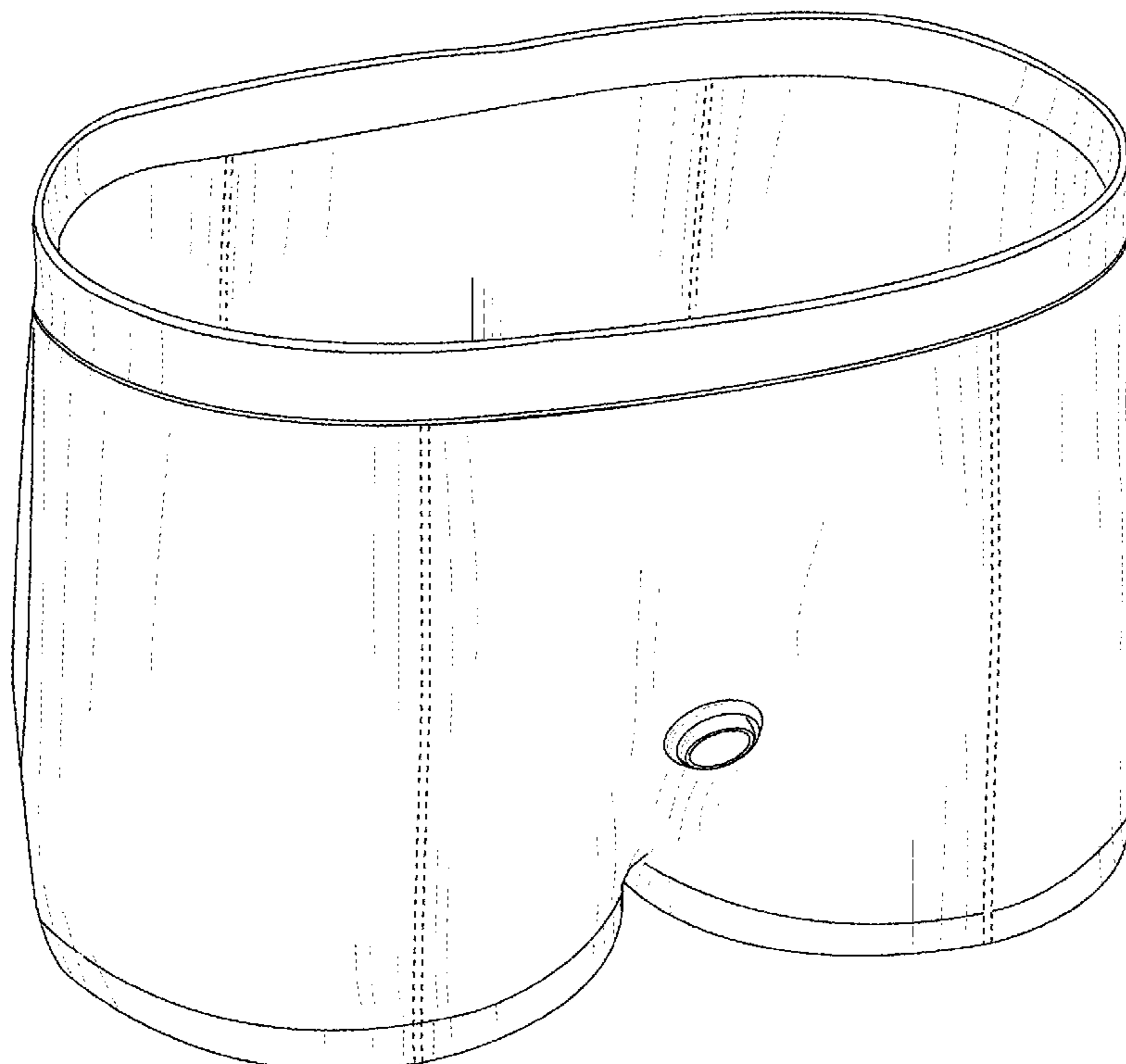
(57) **CLAIM**

The ornamental design for a sexually transmitted disease protective garment, as shown and described.

DESCRIPTION

FIG. 1 is a front elevational view of a sexually transmitted disease protective garment showing my new design; FIG. 2 is a right side elevational view thereof; FIG. 3 is a rear elevational view thereof; FIG. 4 is a left side elevational view thereof; FIG. 5 is a top plan view thereof; FIG. 6 is a bottom plan view thereof; FIG. 7 is a front perspective view thereof; FIG. 8 is a rear perspective view thereof; FIG. 9 is an annotated top plan view thereof; and, FIG. 10 is a cross-sectional rear perspective view thereof, taken along line (10-10) of FIG. 9. The broken line showing of twin vertical straight stitches are claimed subject matter. All other broken lines represent portions of the article excluded from the claim.

1 Claim, 10 Drawing Sheets



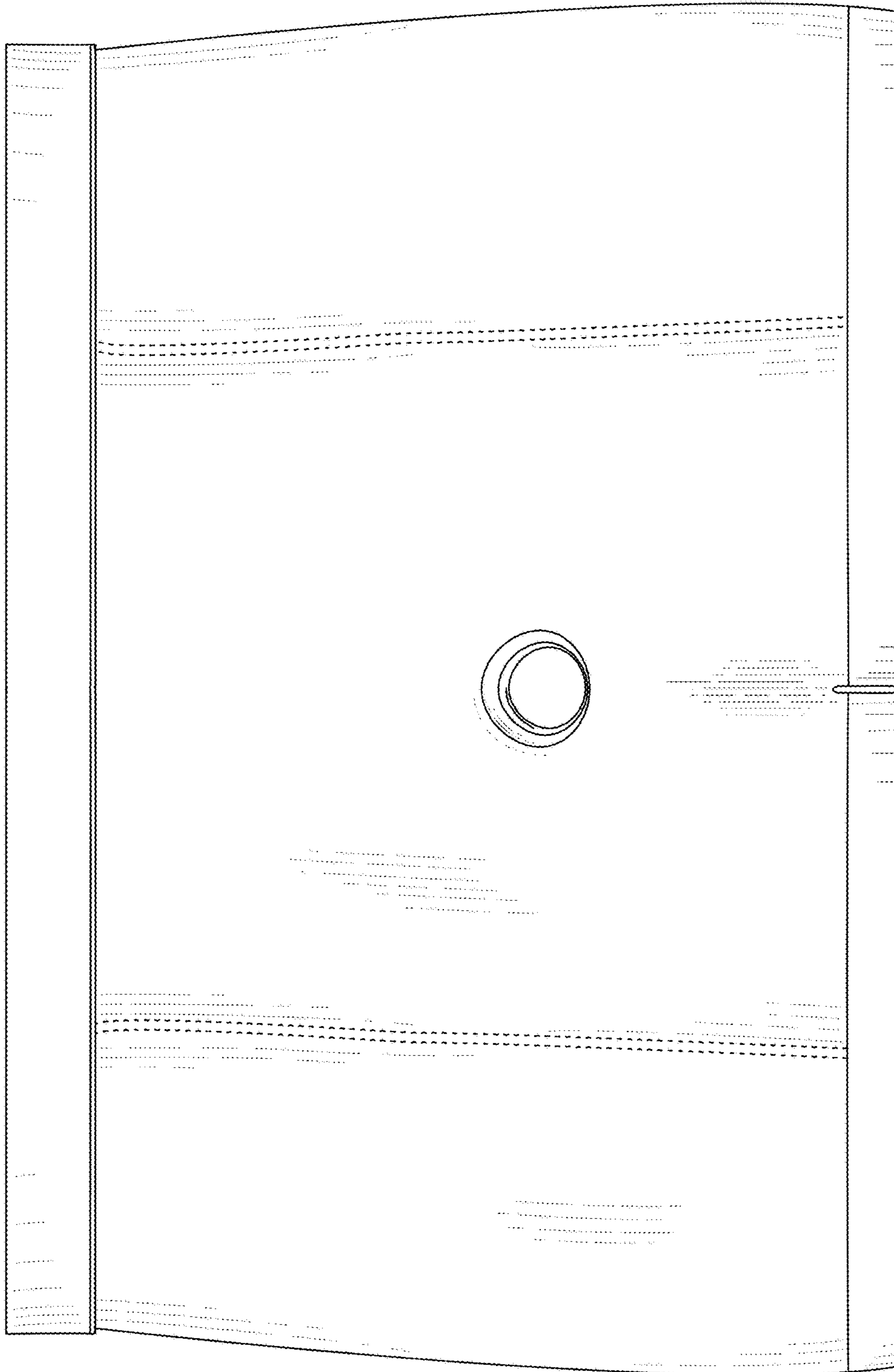


FIG. 1

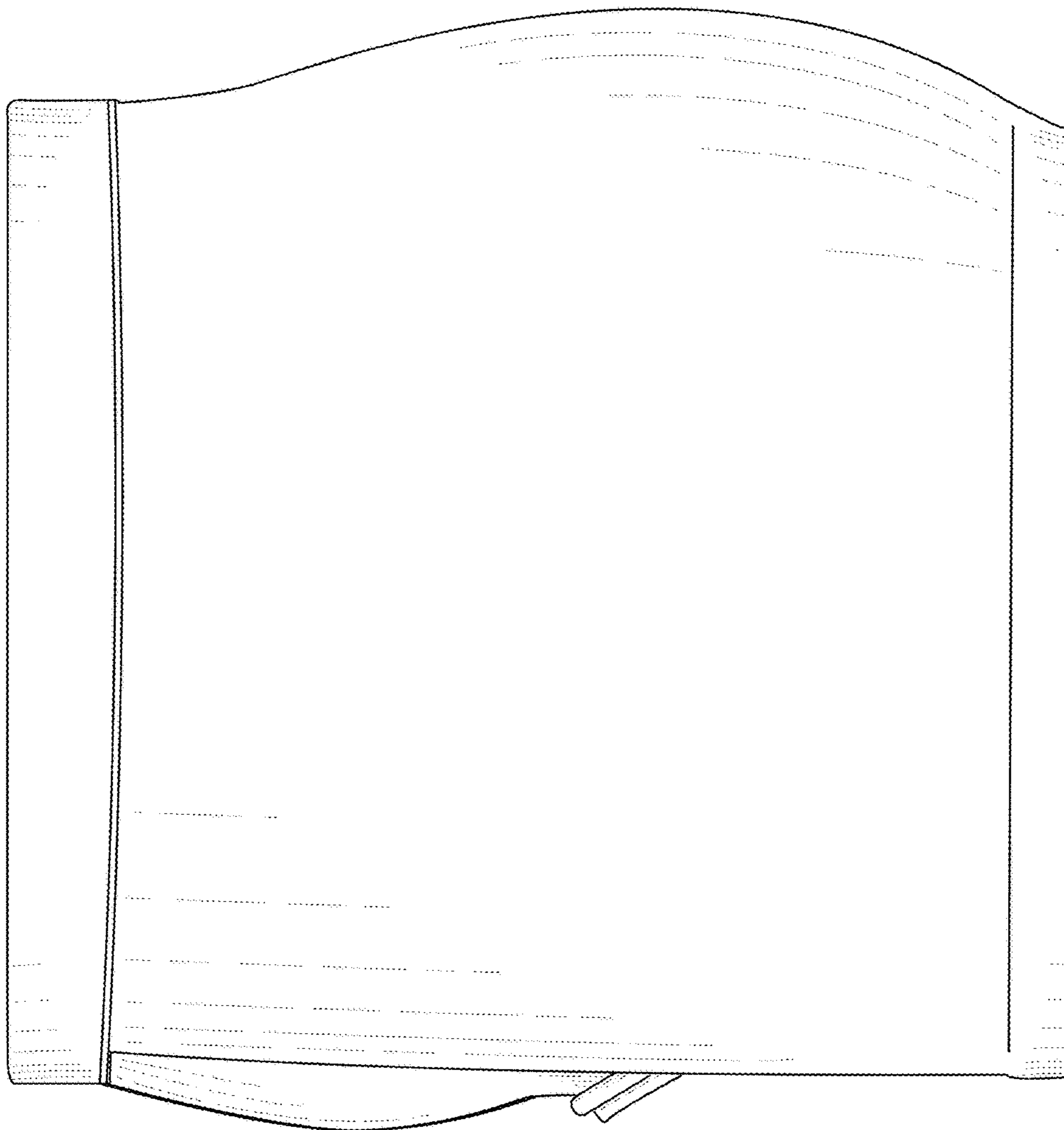


FIG. 2

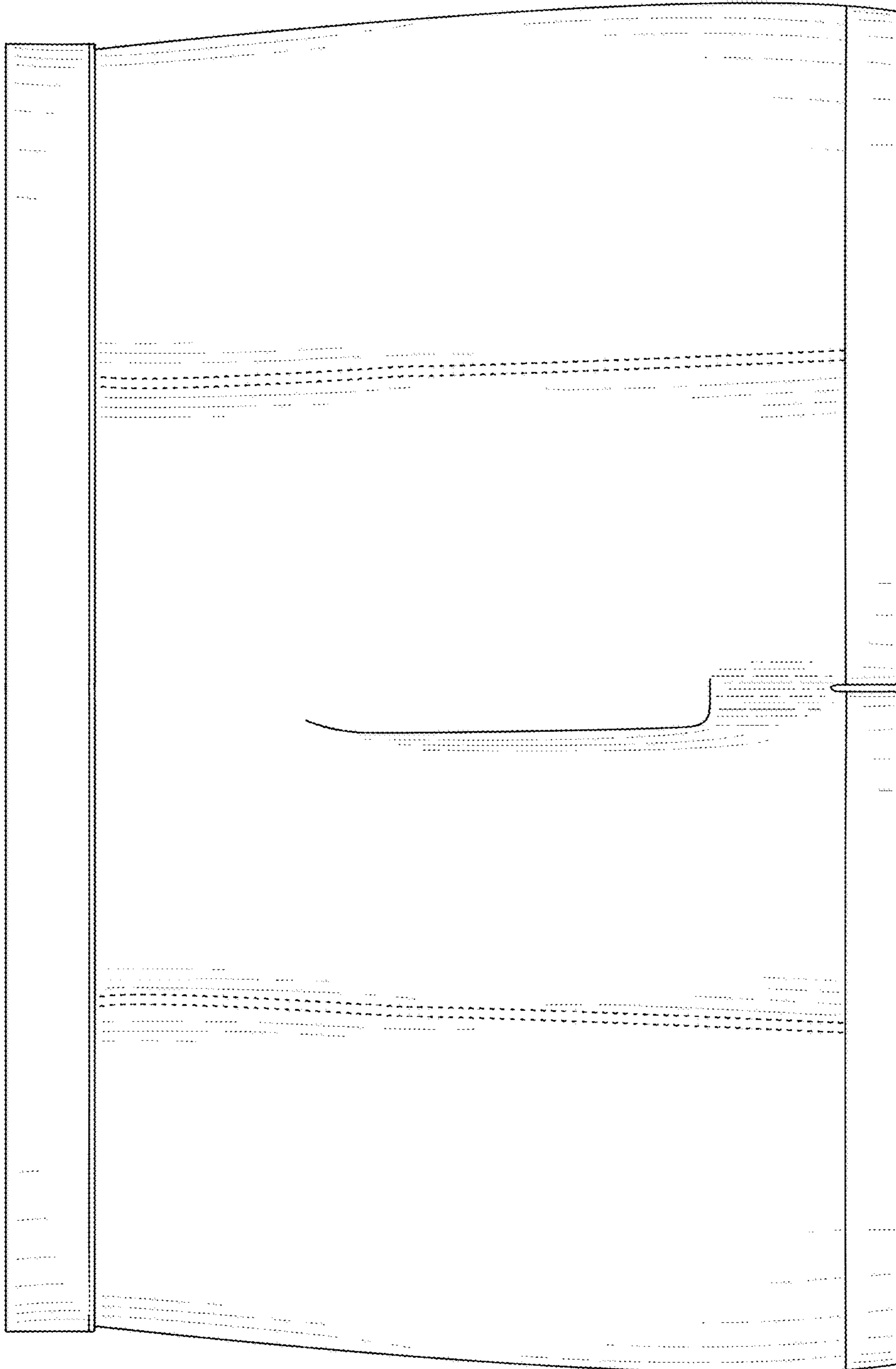


FIG. 3

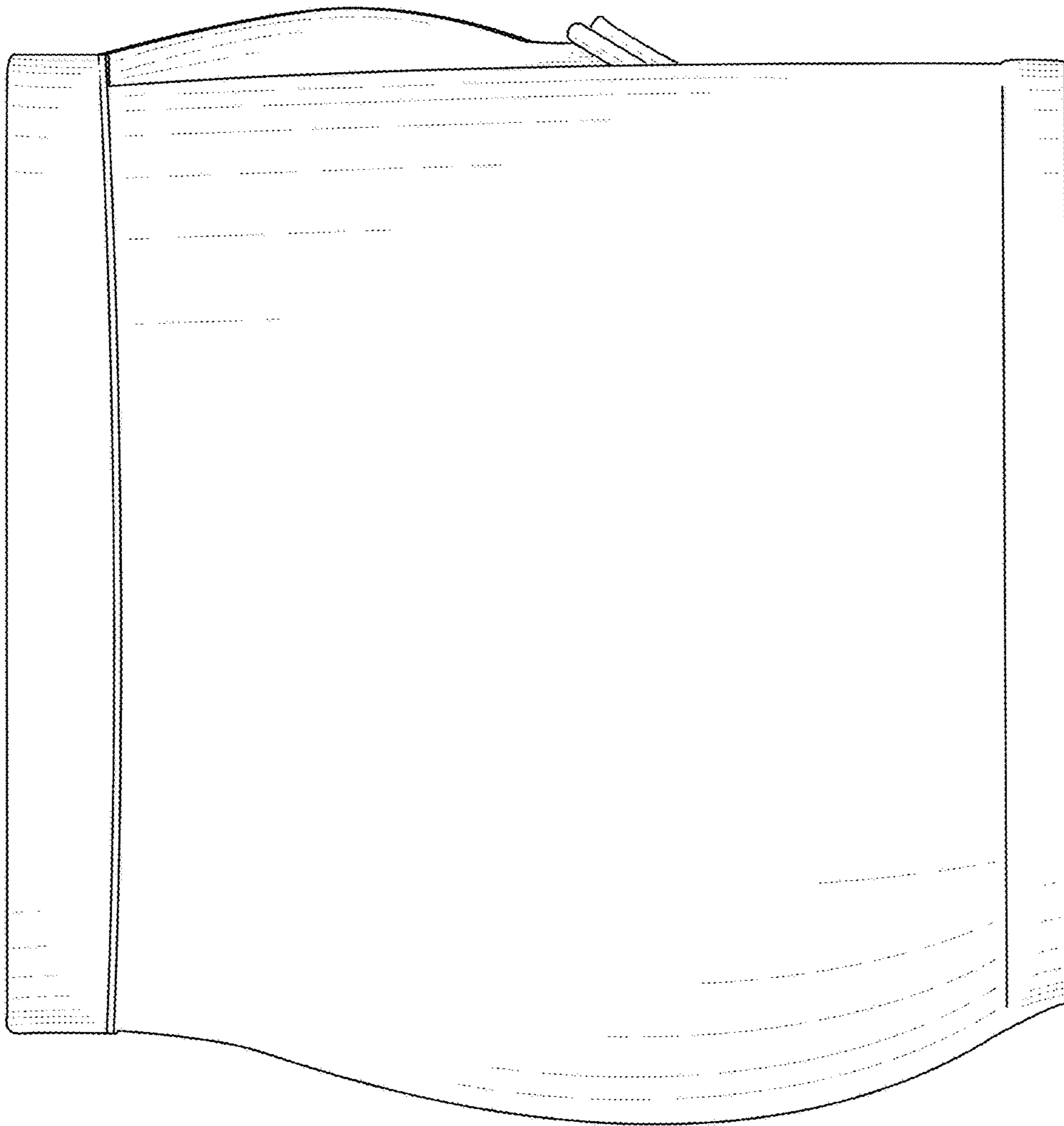


FIG. 4

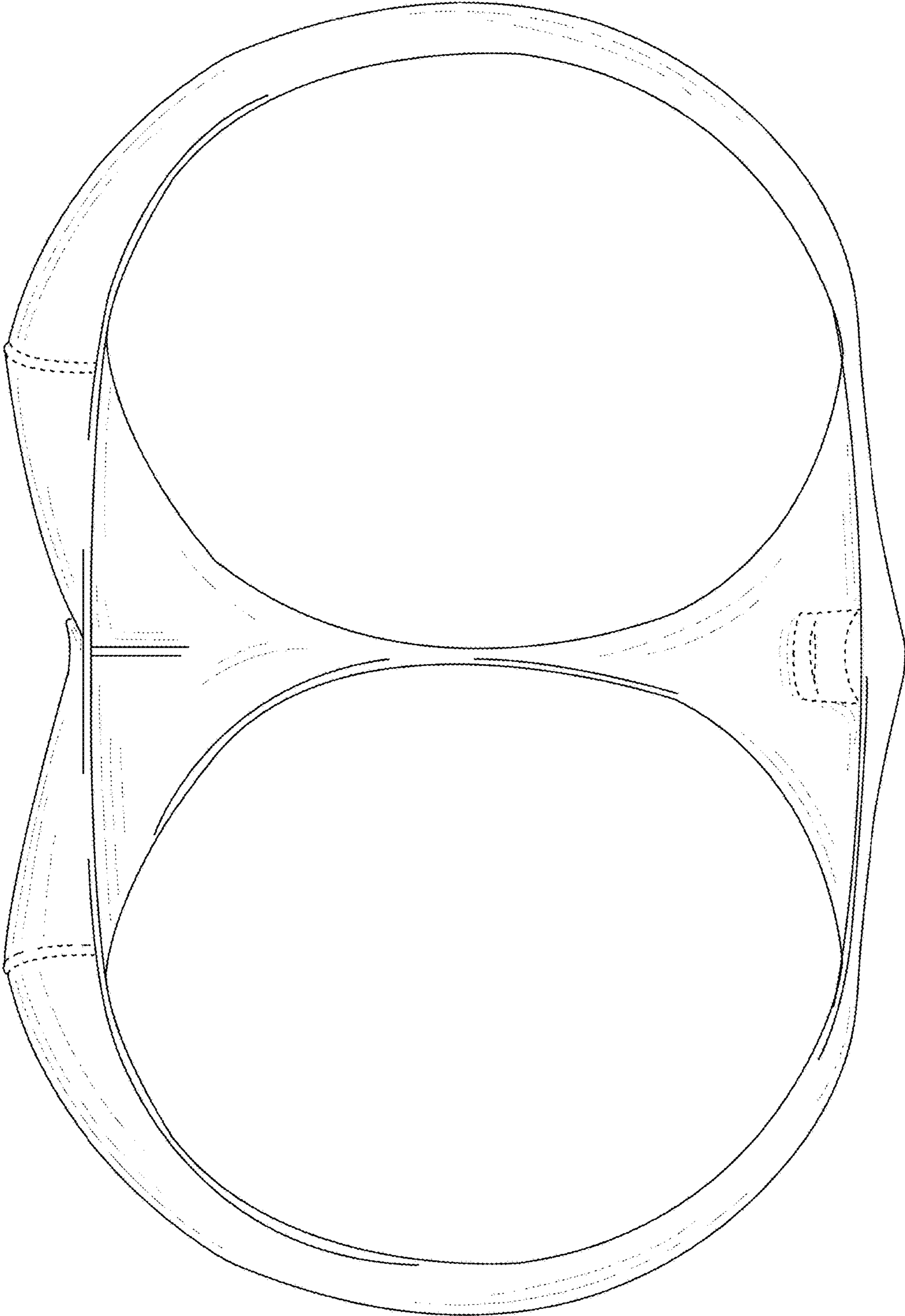


FIG. 5

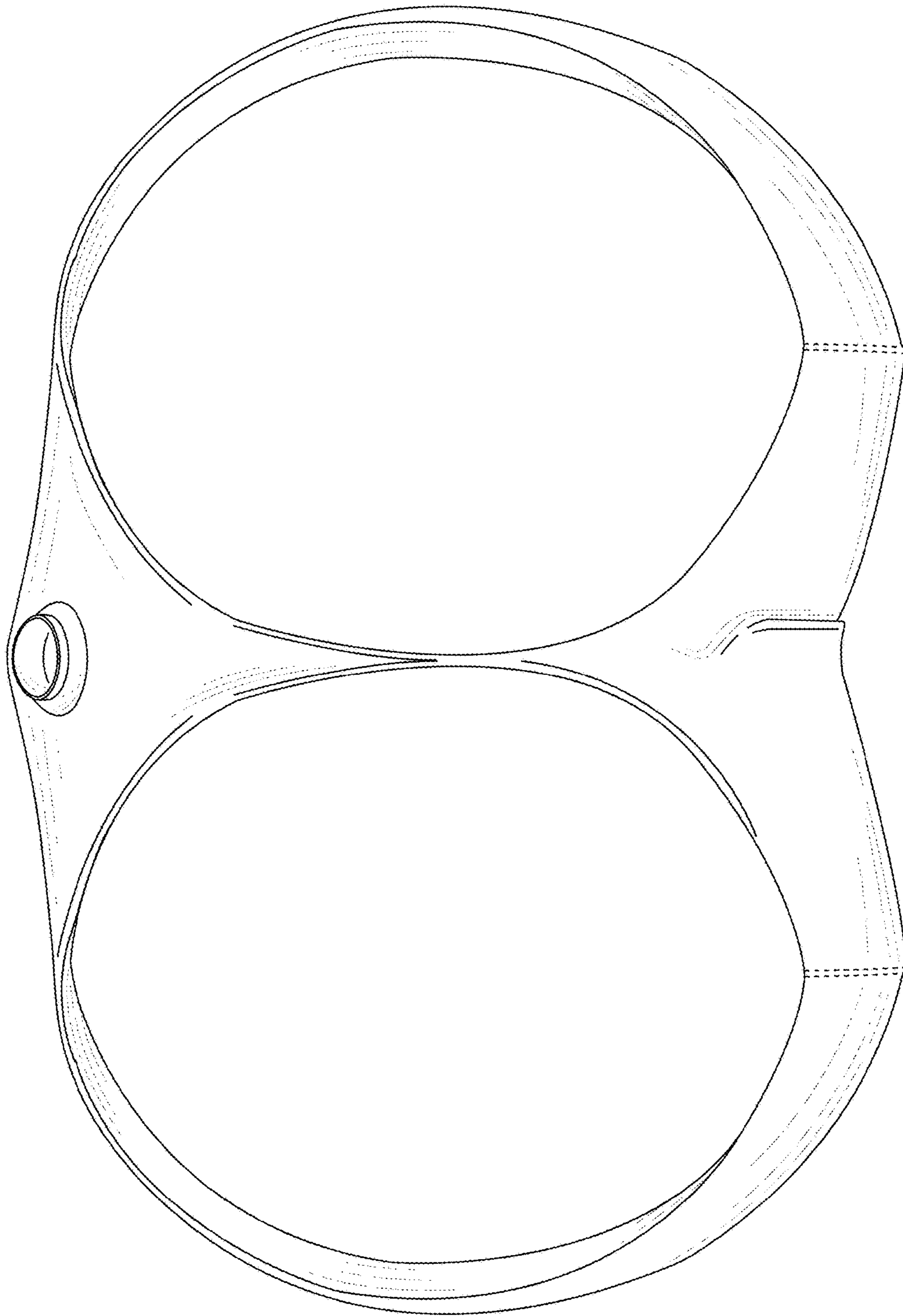


FIG. 6

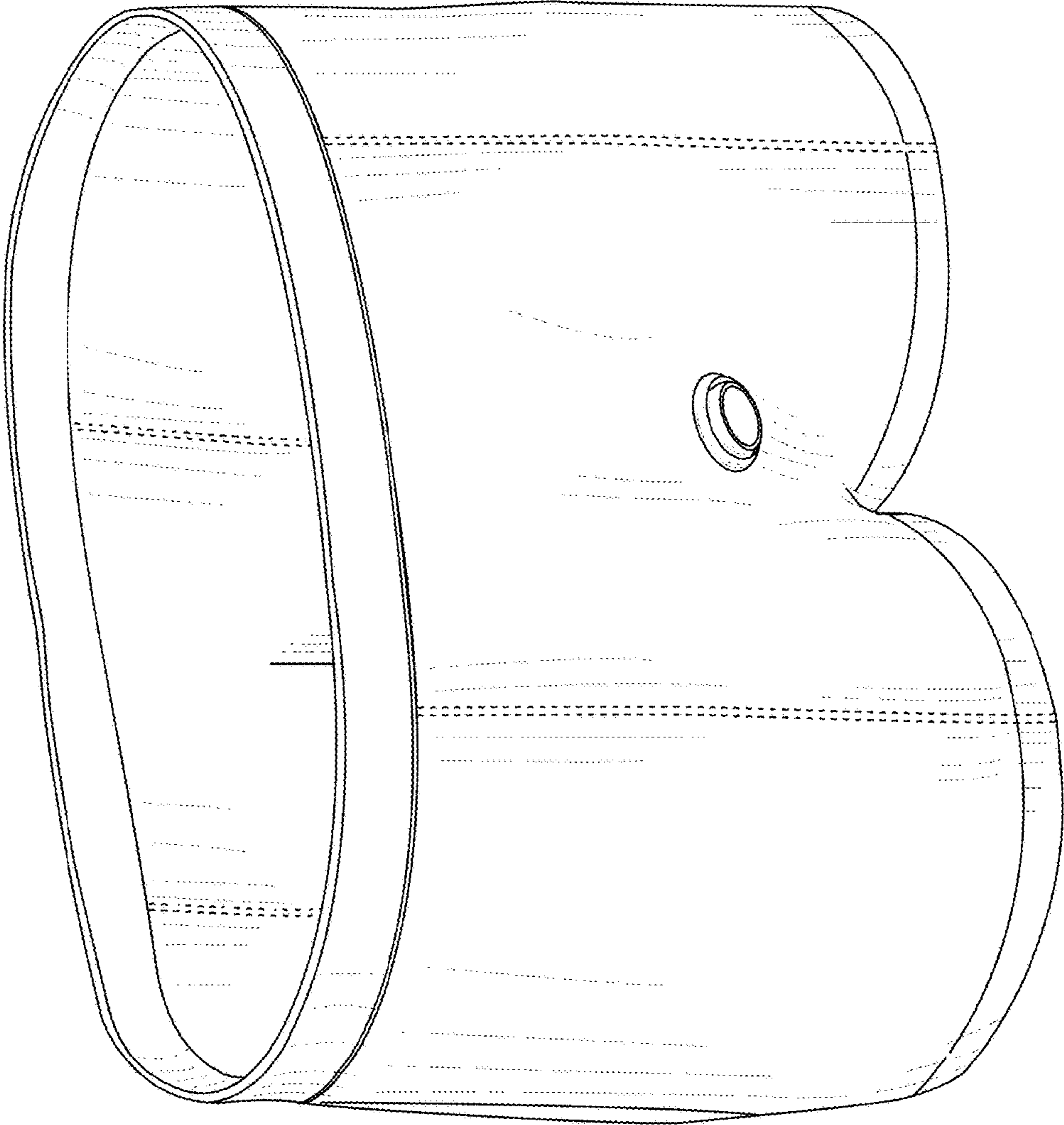


FIG. 7

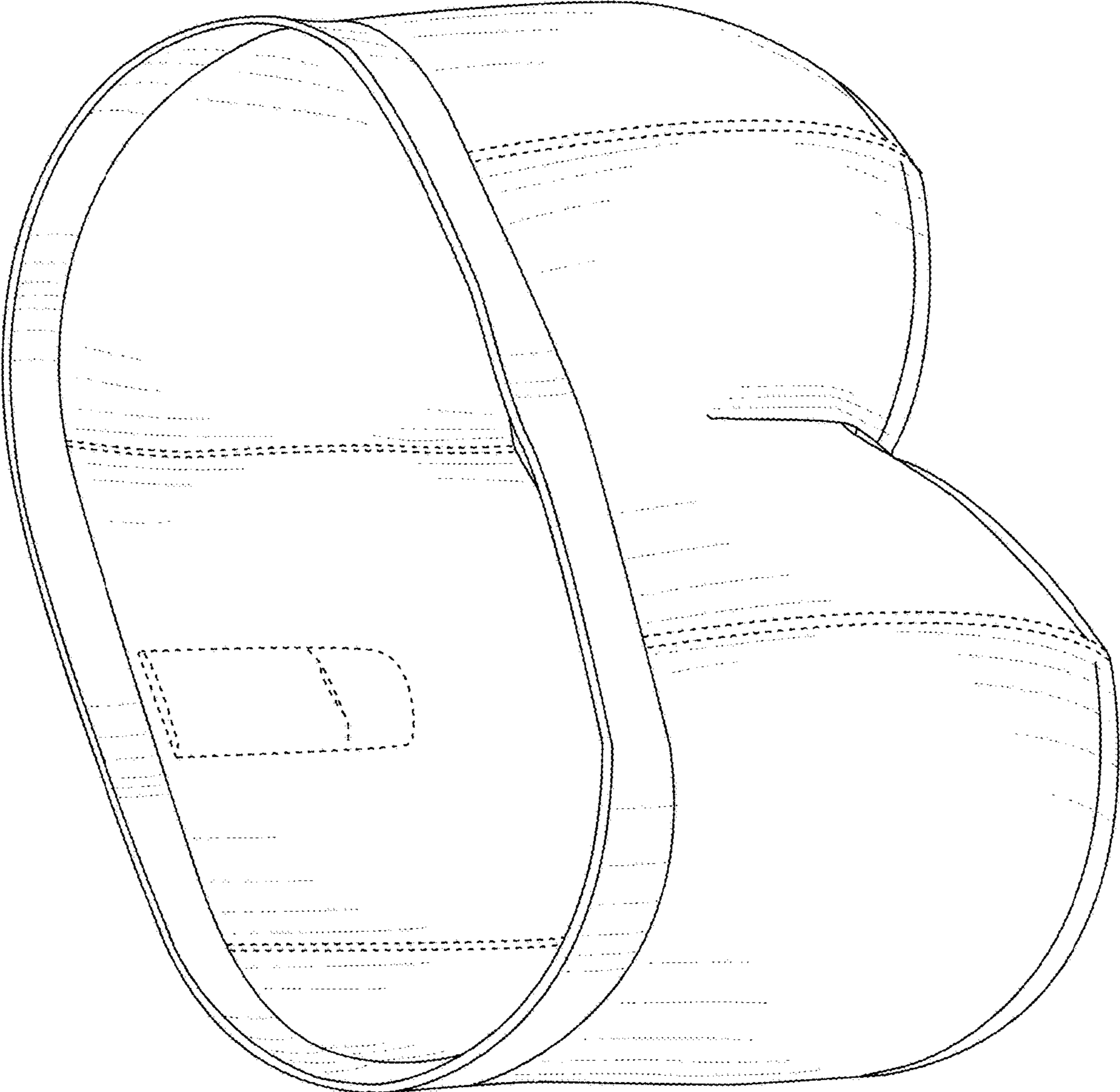


FIG. 8

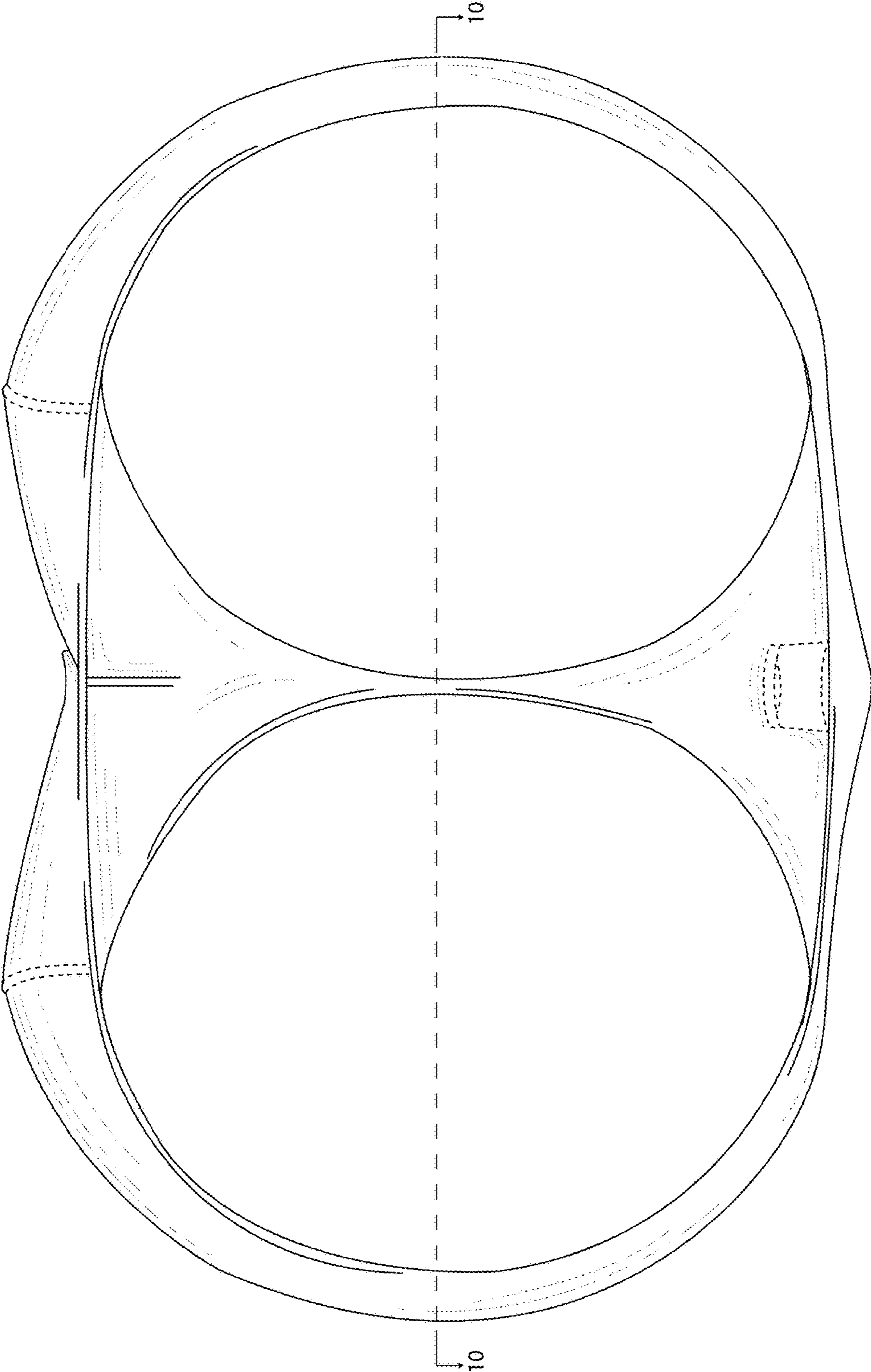


FIG. 9

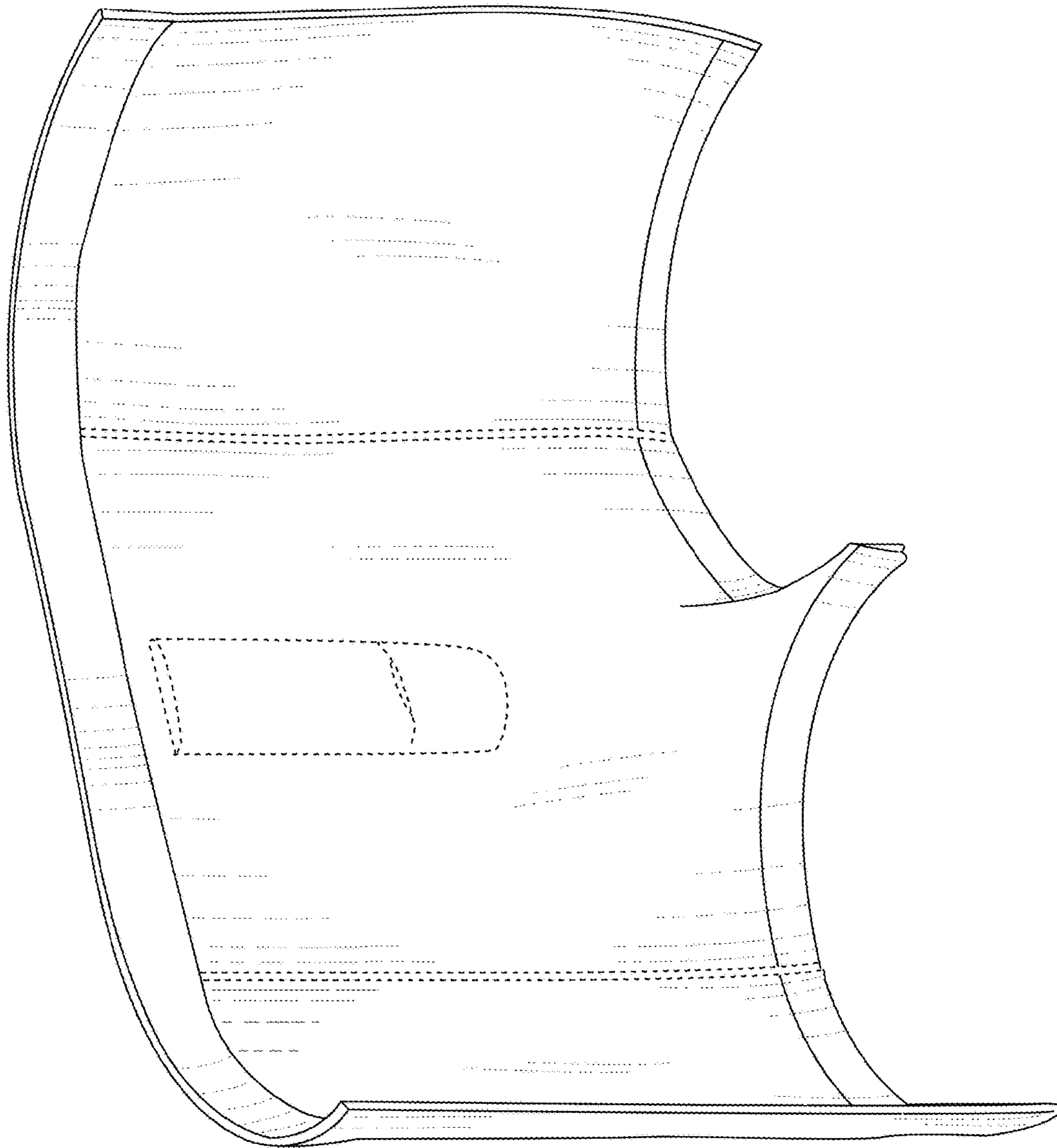


FIG. 10