



US00D788286S

(12) **United States Design Patent** (10) **Patent No.:** **US D788,286 S**  
**Busta** (45) **Date of Patent:** **\*\* May 30, 2017**

(54) **CEILING FAN HOUSING WITH LIGHT FIXTURE**

(71) Applicant: **Minka Lighting, Inc.**, Corona, CA (US)

(72) Inventor: **Jeff Busta**, La Crescenta, CA (US)

(73) Assignee: **Minka Lighting, Inc.**, Corona, CA (US)

(\*\*) Term: **15 Years**

(21) Appl. No.: **29/549,749**

(22) Filed: **Dec. 28, 2015**

**Related U.S. Application Data**

(63) Continuation-in-part of application No. 29/511,470, filed on Dec. 10, 2014, now abandoned.

(51) **LOC (10) Cl.** ..... **23-04**

(52) **U.S. Cl.**  
USPC ..... **D23/411; D26/59**

(58) **Field of Classification Search**

USPC ..... D23/377, 379, 385, 387, 411-414, 499;  
416/1, 5, 170 R, 214 R, 184, 206, 207,  
416/210 R, 220 R, 244 R, 248; 392/364;  
D26/59, 51, 72, 73, 80-86, 88, 90, 113,  
D26/118, 121, 123, 124  
CPC .... F04D 25/088; F04D 29/005; F04D 29/601;  
F04D 29/322; F04D 29/324; F04D 29/34;  
F21V 33/0096

See application file for complete search history.

(56) **References Cited**

**U.S. PATENT DOCUMENTS**

D284,304 S 6/1986 Harber  
D290,748 S 7/1987 Kawai  
D292,313 S 10/1987 Kawai  
D297,974 S 10/1988 Sonneman  
D303,425 S 9/1989 Sonneman

(Continued)

**OTHER PUBLICATIONS**

Patricia-5 Matthew Fan Company. matthewsfanco.com. (online PDF) 2 pgs. Designed 2015 [retrieved on Sep. 27, 2016] <http://www.matthewsfanco.com/index.php?page=Patricia-5> PDF URL: <http://www.matthewsfanco.com/uploads/images/Patricia-5/Patricia-5.pdf>.\*

(Continued)

*Primary Examiner* — Susan Bennett Hattan

*Assistant Examiner* — Marie Fast Horse

(74) *Attorney, Agent, or Firm* — Baker & McKenzie LLP

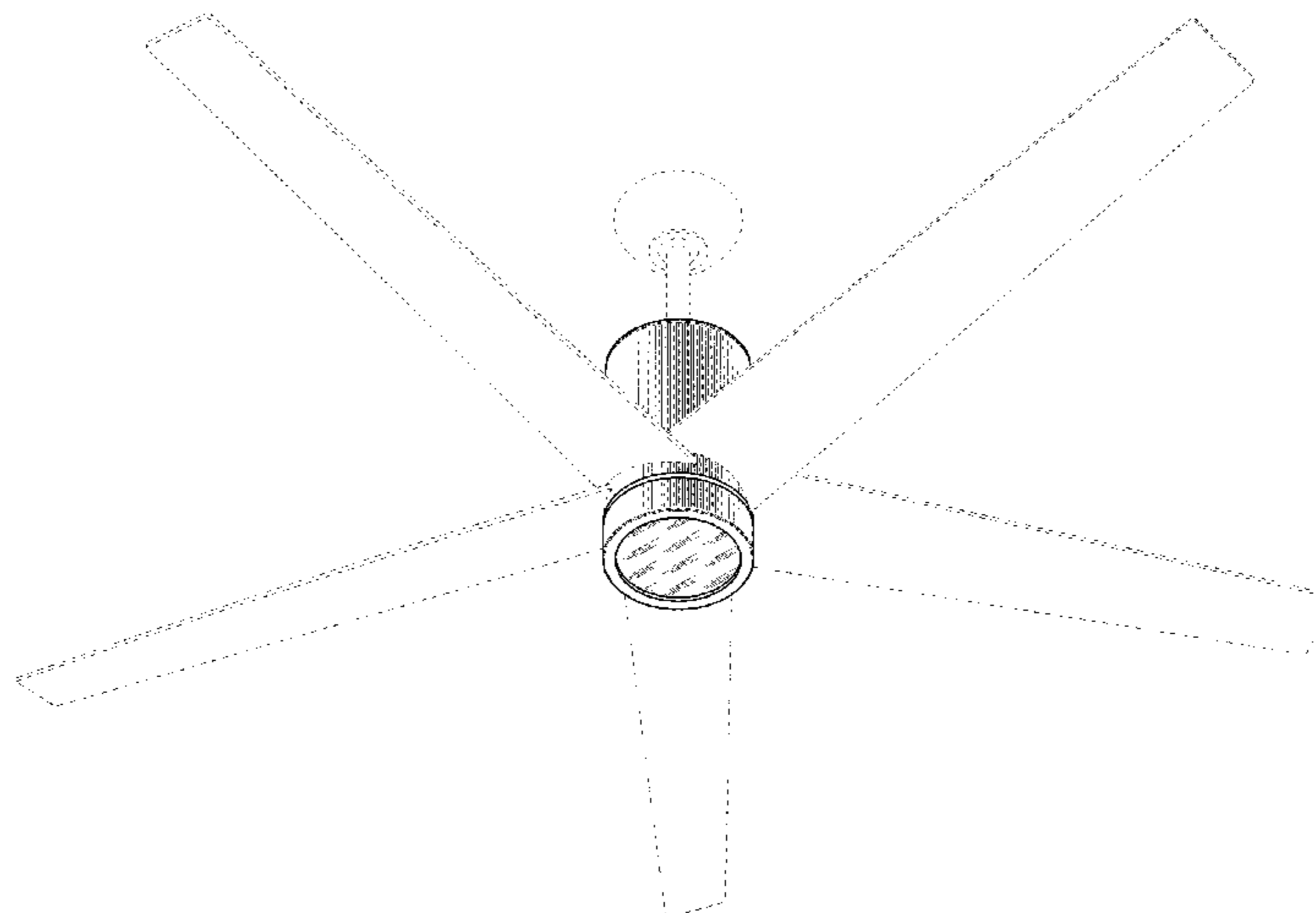
(57) **CLAIM**

The ornamental design for a ceiling fan housing with light fixture, as shown and described.

**DESCRIPTION**

FIG. 1 is a perspective view of a ceiling fan housing with light fixture in accordance with my design;  
FIG. 2 is an enlarged top plan detail view of the ceiling fan housing with light fixture in accordance with my design;  
FIG. 3 is an enlarged bottom plan detail view of the ceiling fan housing with light fixture in accordance with my design;  
FIG. 4 is a front elevation view of the ceiling fan housing with light fixture in accordance with my design;  
FIG. 5 is a rear elevation view of the ceiling fan housing with light fixture in accordance with my design;  
FIG. 6 is a left-side elevation view of the ceiling fan housing with light fixture in accordance with my design; and,  
FIG. 7 is a right-side elevation view of the ceiling fan housing with light fixture in accordance with my design.  
The dashed broken lines depict environmental structure and form no part of the claimed design. The dot-and-dash broken lines indicate portions of the article that form no part of the claimed design.

**1 Claim, 4 Drawing Sheets**



(56)

References Cited

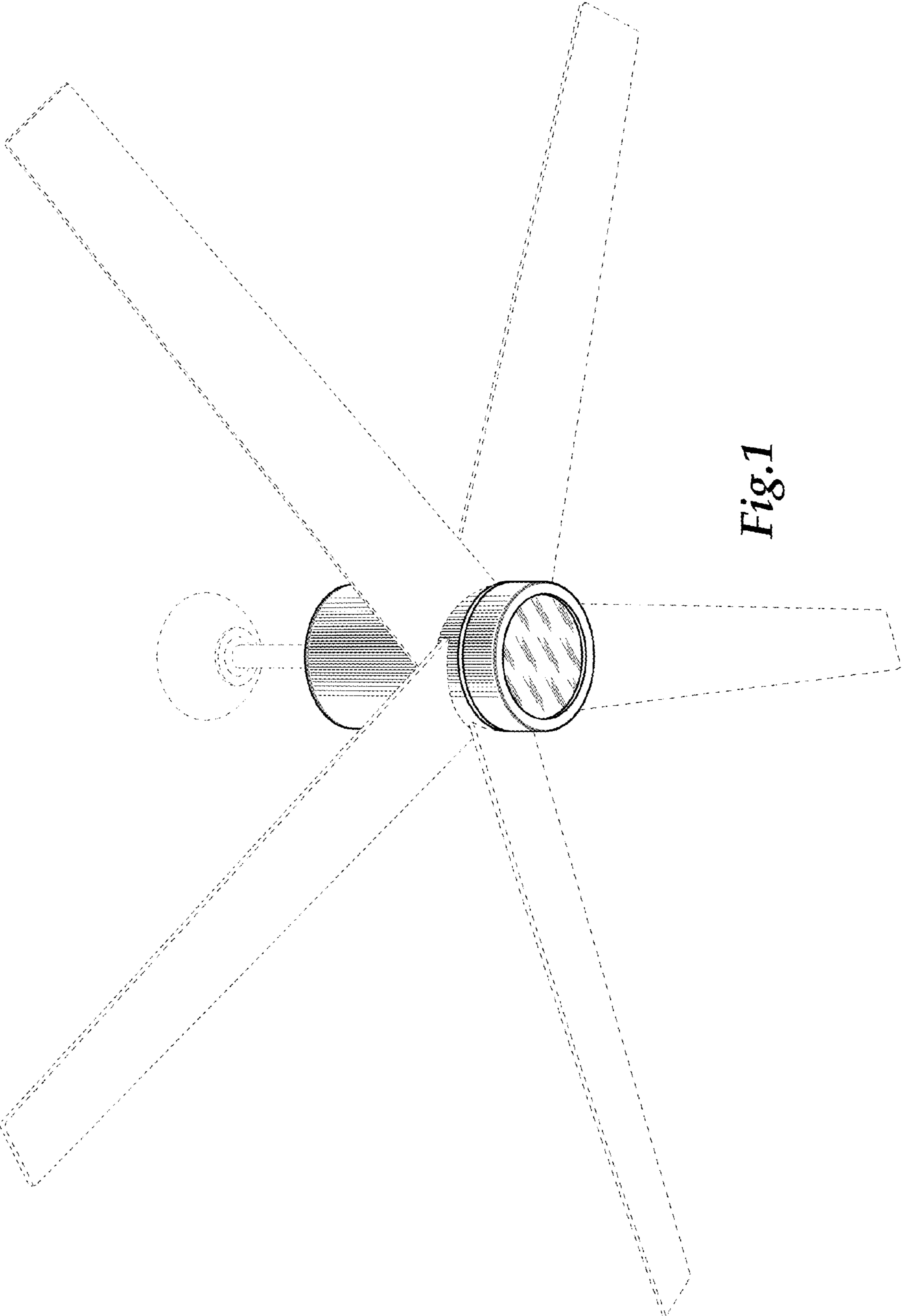
U.S. PATENT DOCUMENTS

D310,561 S 9/1990 Janicz  
 D314,618 S 2/1991 Yen  
 D323,028 S 1/1992 Holbrook  
 D328,491 S 8/1992 Markwardt  
 D328,785 S 8/1992 Markwardt  
 D330,759 S \* 11/1992 Rezek ..... D23/377  
 D333,867 S 3/1993 Markwardt  
 D344,129 S 2/1994 Markwardt  
 D399,330 S \* 10/1998 Geier ..... D26/88  
 D453,216 S 1/2002 Gajewski  
 D589,191 S \* 3/2009 Sabernig ..... D26/63  
 D609,324 S 2/2010 Lee  
 D609,799 S 2/2010 Lee  
 D628,688 S 12/2010 Pan  
 D664,287 S \* 7/2012 Cegnar ..... D26/128  
 D706,970 S \* 6/2014 Wang ..... D26/59  
 D707,336 S 6/2014 Pan  
 D744,634 S 12/2015 Wang  
 2007/0009363 A1 \* 1/2007 King ..... F04D 29/703  
 416/210 R

OTHER PUBLICATIONS

52\_Casa Vieja Revue Brushed Nickel-LED Ceiling Fan. lampsplus.com. (online) 5 pgs. Available at least as early as Sep. 30, 2014 [retrieved on Sep. 27, 2016] [http://www.lampsplus.com/products/52-inch-casa-vieja-revue-brushed-nickel-led-ceiling-fan\\_4g530.html#read-reviews-tab](http://www.lampsplus.com/products/52-inch-casa-vieja-revue-brushed-nickel-led-ceiling-fan_4g530.html#read-reviews-tab).\*  
 44" Casa Metro® LED Brushed Nickel Ceiling Fan. lampsplus.com. (online) 5 pgs. Available at least as early as May 4, 2014 [retrieved on Sep. 27, 2016] [http://www.lampsplus.com/products/44-inch-casa-metro-led-brushed-nickel-ceiling-fan\\_y7858.html#read-reviews-tab](http://www.lampsplus.com/products/44-inch-casa-metro-led-brushed-nickel-ceiling-fan_y7858.html#read-reviews-tab).\*  
 Cirrus Ceiling Fan with Optional Light (by Modern Fan Company). lumens.com. (online) 6 pgs. Available at least as early as Jul. 23, 2009 [retrieved on Sep. 27, 2016] <http://www.lumens.com/cirrus-ceiling-fan-with-optional-light-by-modern-fan-company-PAAAAAHJEHKHAF CG.html#viewall=true&prefn1=brand&prefv1=Modern%20Fan%20Company&cgid=84&viewall=true&til>.\*  
 Bullet Ceiling Fan (by Casablanca Fan Company). lumens.com. (online) 5 pgs. Available at least as early as Jun. 7, 2013 [retrieved on Sep. 27, 2016] <http://www.lumens.com/bullet-ceiling-fan-by-casablanca-fan-company-uu383076.html>.\*

\* cited by examiner



*Fig. 1*

