



US00D788283S

(12) **United States Design Patent**  
**Busta**

(10) **Patent No.:** **US D788,283 S**  
(45) **Date of Patent:** **\*\* May 30, 2017**

(54) **COMBINATION CEILING FAN AND LIGHT FIXTURE**

D310,561 S 9/1990 Janicz  
D314,618 S 2/1991 Yen  
D323,028 S 1/1992 Holbrook

(71) Applicant: **Minka Lighting, Inc.**, Corona, CA (US)

(Continued)

(72) Inventor: **Jeff Busta**, La Crescenta, CA (US)

**OTHER PUBLICATIONS**

(73) Assignee: **Minka Lighting, Inc.**, Corona, CA (US)

Patricia-5 Matthiew Fan Company. matthewsfanco.com. (online PDF) 2 pgs. Designed 2015 [retrieved on Sep. 27, 2016] <http://www.matthewsfanco.com/index.php?page=Patricia-5> PDF URL: <http://www.matthewsfanco.com/uploads/images/Patricia-5/Patricia-5.pdf>.\*

(\*\*) Term: **15 Years**

(Continued)

(21) Appl. No.: **29/549,731**

(22) Filed: **Dec. 28, 2015**

*Primary Examiner* — Susan Bennett Hattan

*Assistant Examiner* — Marie Fast Horse

(74) *Attorney, Agent, or Firm* — Baker & McKenzie LLP

**Related U.S. Application Data**

(63) Continuation-in-part of application No. 29/511,470, filed on Dec. 10, 2014, now abandoned.

(51) **LOC (10) Cl.** ..... **23-04**

(52) **U.S. Cl.**  
USPC ..... **D23/377**

(58) **Field of Classification Search**  
USPC ..... D23/377, 379, 385, 387, 411–414, 499;  
416/1, 5, 170 R, 214 R, 184, 206, 207,  
416/210 R, 220 R, 244 R, 248; 392/364;  
D26/59, 51, 72, 73, 80–86, 88, 90, 113,  
D26/118, 121, 123, 124  
CPC .... F04D 25/088; F04D 29/005; F04D 29/601;  
F04D 29/322; F04D 29/324; F04D 29/34;  
F21V 33/0096

See application file for complete search history.

(56) **References Cited**

**U.S. PATENT DOCUMENTS**

D284,304 S 6/1986 Harber  
D290,748 S 7/1987 Kawai  
D292,313 S 10/1987 Kawai  
D297,974 S 10/1988 Sonneman  
D303,425 S 9/1989 Sonneman

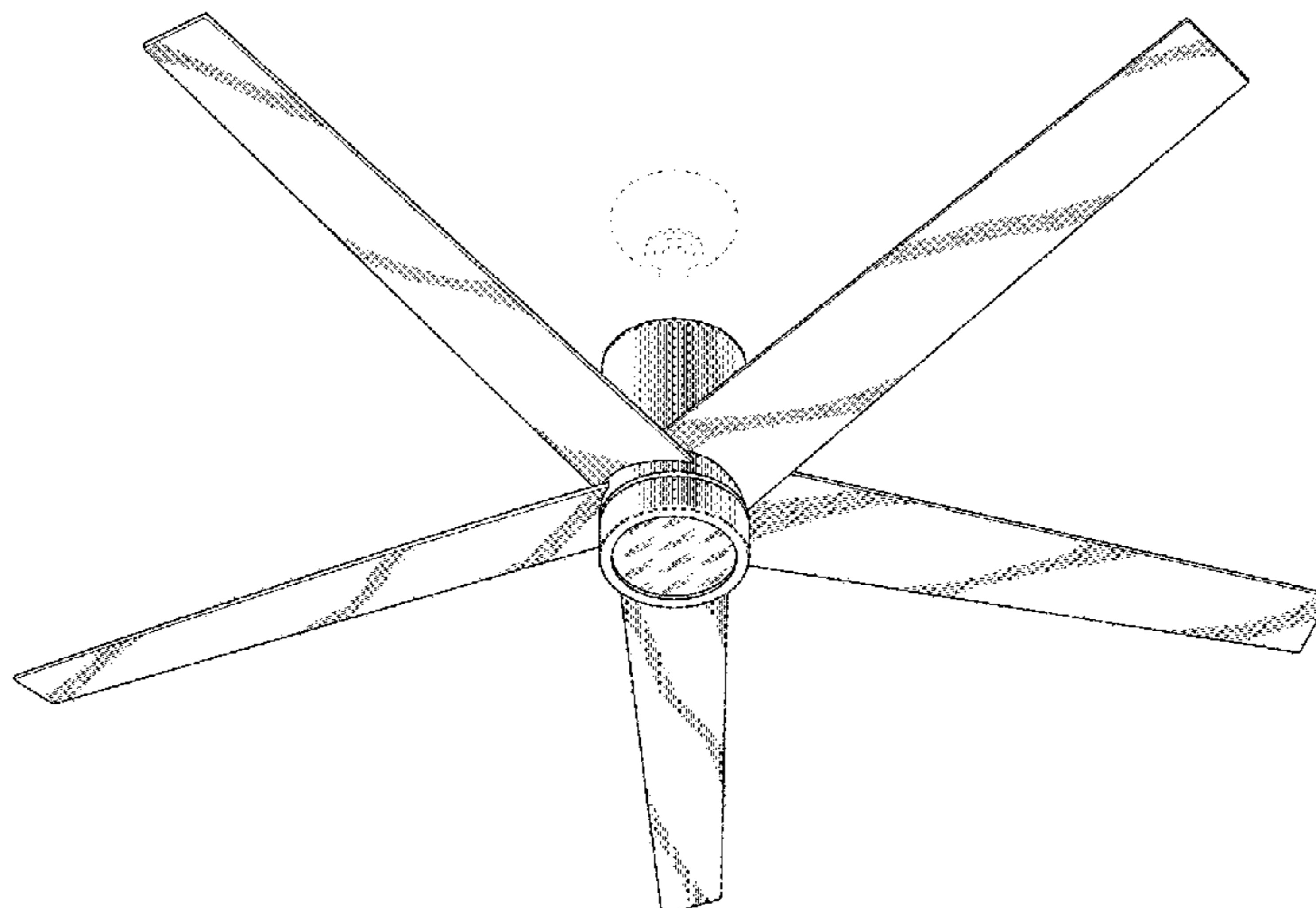
(57) **CLAIM**

The ornamental design for a combination ceiling fan and light fixture, as shown and described.

**DESCRIPTION**

FIG. 1 is a perspective view of a combination ceiling fan and light fixture in accordance with my design;  
FIG. 2 is a top plan view of the combination ceiling fan and light fixture in accordance with my design;  
FIG. 3 is a bottom plan view of the combination ceiling fan and light fixture in accordance with my design;  
FIG. 4 is a front elevation view of the combination ceiling fan and light fixture in accordance with my design;  
FIG. 5 is a rear elevation view of the combination ceiling fan and light fixture in accordance with my design;  
FIG. 6 is a left-side elevation view of the combination ceiling fan and light fixture in accordance with my design;  
and,  
FIG. 7 is a right-side elevation view of the combination ceiling fan and light fixture in accordance with my design.  
The broken-line disclosure of elements is understood to represent portions of the article in which the design is embodied, but which form no part of the claimed design.

**1 Claim, 5 Drawing Sheets**



(56)

References Cited

U.S. PATENT DOCUMENTS

D328,491 S 8/1992 Markwardt  
 D328,785 S 8/1992 Markwardt  
 D330,759 S \* 11/1992 Rezek ..... D23/377  
 D333,867 S 3/1993 Markwardt  
 D344,129 S 2/1994 Markwardt  
 D399,330 S \* 10/1998 Geier ..... D26/88  
 D453,216 S 1/2002 Gajewski  
 D547,436 S \* 7/2007 Shurtleff ..... D23/411  
 D589,191 S \* 3/2009 Sabernig ..... D26/63  
 D600,390 S \* 9/2009 Sabernig ..... D26/65  
 D609,324 S 2/2010 Lee  
 D609,799 S 2/2010 Lee  
 D628,688 S 12/2010 Pan  
 D664,287 S \* 7/2012 Cegnar ..... D26/128  
 D706,970 S \* 6/2014 Wang ..... D26/59  
 D707,336 S 6/2014 Pan  
 D744,634 S 12/2015 Wang  
 D751,187 S \* 3/2016 Dolan ..... D23/377  
 2007/0009363 A1 \* 1/2007 King ..... F04D 29/703  
 416/210 R

OTHER PUBLICATIONS

52\_Casa Vieja Revue Brushed Nickel-LED Ceiling Fan. lampsplus.com. (online) 5 pgs. Available at least as early as Sep. 30, 2014 [retrieved on Sep. 27, 2016] [http://www.lampsplus.com/products/52-inch-casa-vieja-revue-brushed-nickel-led-ceiling-fan\\_4g530.html#read-reviews-tab](http://www.lampsplus.com/products/52-inch-casa-vieja-revue-brushed-nickel-led-ceiling-fan_4g530.html#read-reviews-tab).\*

44" Casa Metro® LED Brushed Nickel Ceiling Fan. lampsplus.com. (online) 5 pgs. Available at least as early as May 4, 2014 [retrieved on Sep. 27, 2016] [http://www.lampsplus.com/products/44-inch-casa-metro-led-brushed-nickel-ceiling-fan\\_y7858.html#read-reviews-tab](http://www.lampsplus.com/products/44-inch-casa-metro-led-brushed-nickel-ceiling-fan_y7858.html#read-reviews-tab).\*

Cirrus Ceiling Fan with Optional Light (by Modern Fan Company). lumens.com. (online) 4 pgs. Available at least as early as Jul. 23, 2009 [retrieved on Sep. 27, 2016] <http://www.lumens.com/cirrus-ceiling-fan-with-optional-light-by-modern-fan-company-PAAAAAHJEHKHAF CG.html#viewall=true&prefn1=brand&prefv1=Modern%20Fan%20Company&cgid=84&viewall=true&til>.\*

Bullet Ceiling Fan (by Casablanca Fan Company). lumens.com. (online) 4 pgs. Available at least as early as Jun. 7, 2013 [retrieved on Sep. 27, 2016] <http://www.lumens.com/bullet-ceiling-fan-by-casablanca-fan-company-uu383076.html>.\*

\* cited by examiner

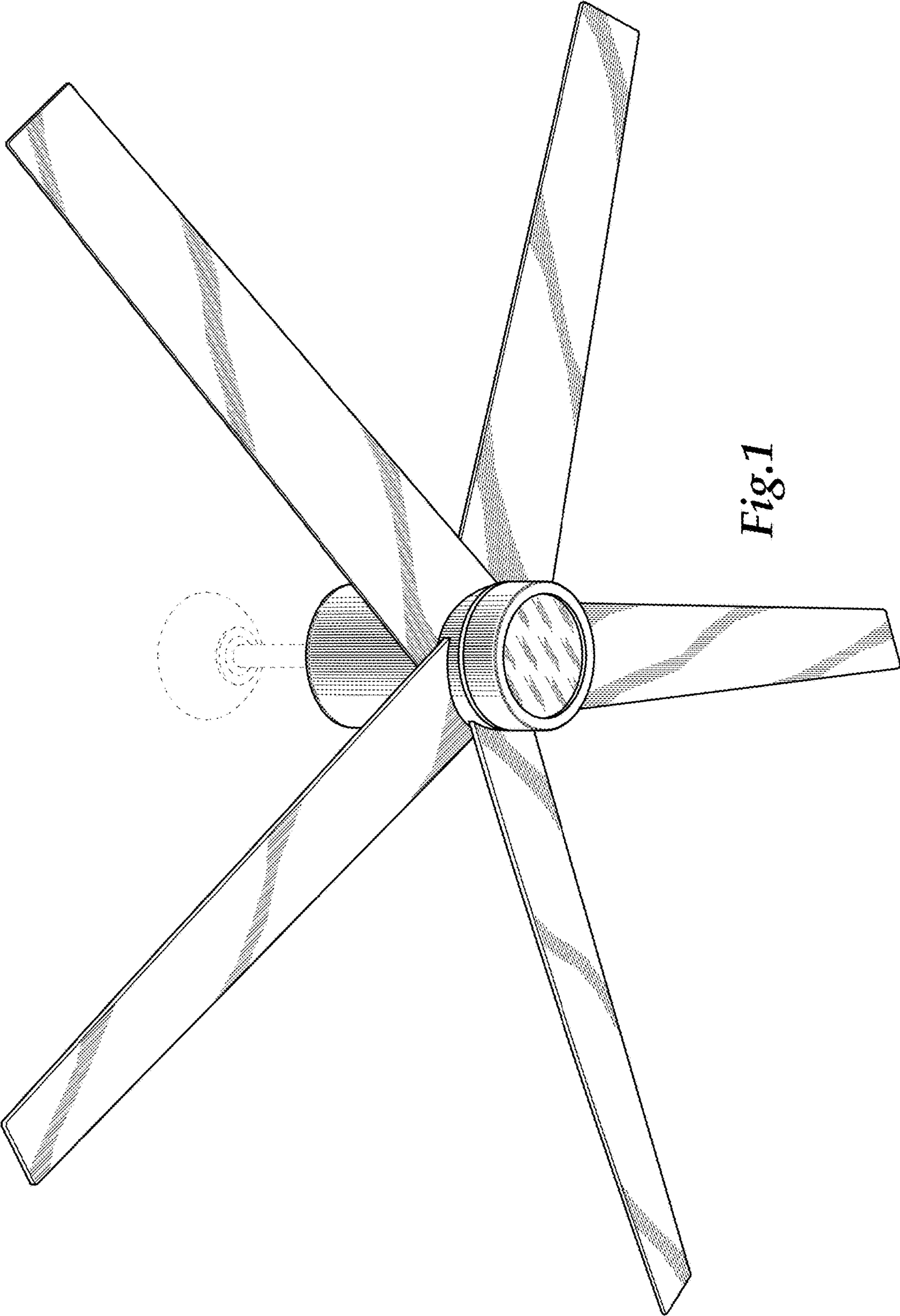
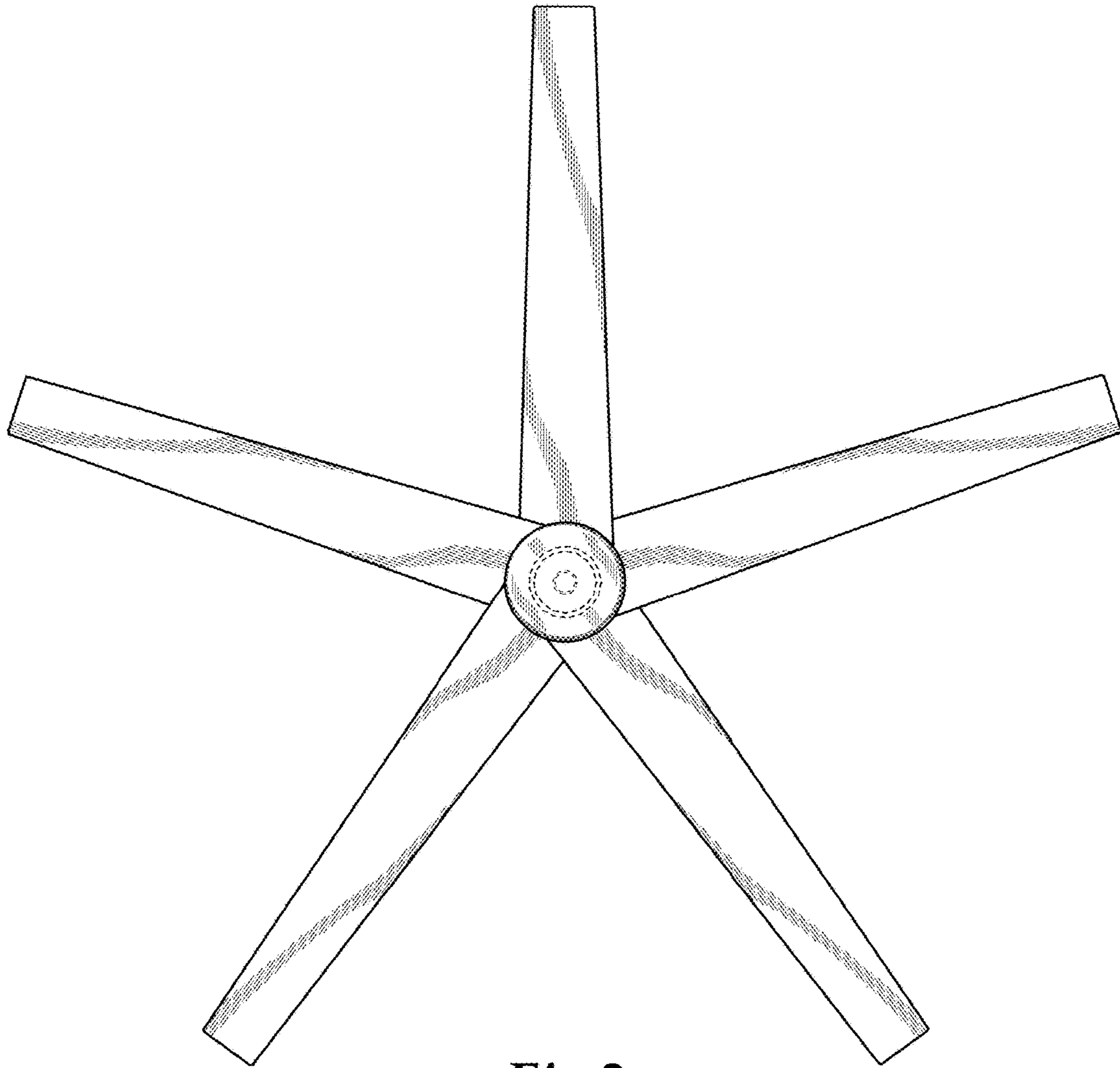
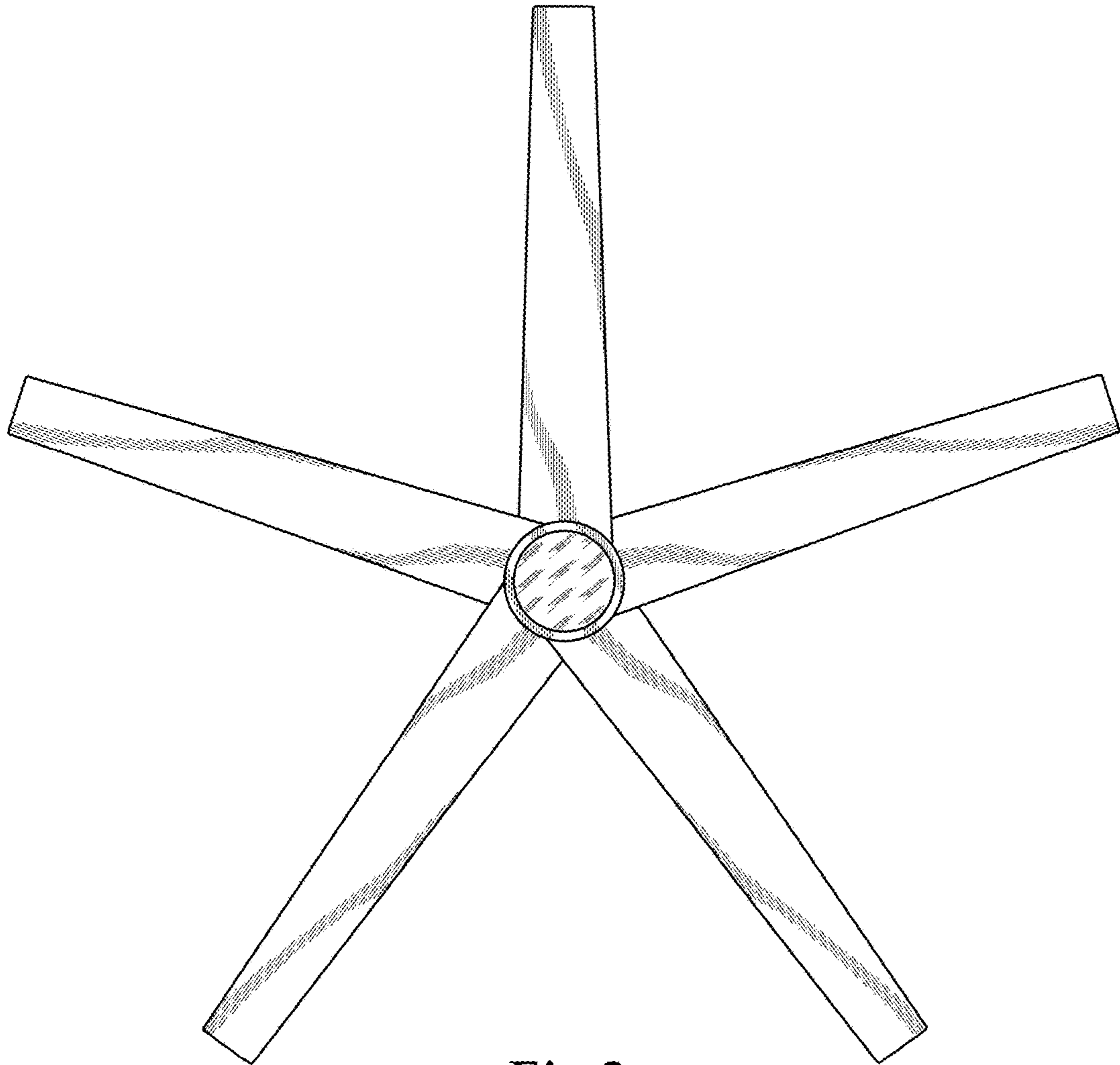


Fig. 1



*Fig.2*



*Fig.3*

