



US00D788282S

(12) **United States Design Patent** (10) **Patent No.:** **US D788,282 S**  
**Wang** (45) **Date of Patent:** **\*\* May 30, 2017**

(54) **CEILING FAN**  
(71) Applicant: **YOUNGO LIMITED**, Hong Kong (CN)  
(72) Inventor: **Cliff Wang**, Taichung (TW)  
(73) Assignee: **YOUNGO LIMITED**, Hong Kong (CN)  
(\*\*) Term: **15 Years**  
(21) Appl. No.: **29/549,191**  
(22) Filed: **Dec. 18, 2015**  
(51) **LOC (10) Cl.** ..... **23-04**  
(52) **U.S. Cl.**  
USPC ..... **D23/377; D26/59**  
(58) **Field of Classification Search**  
USPC ..... D23/370-387, 411-414; D26/59  
CPC ..... F04D 25/088; F21V 33/0096  
See application file for complete search history.

D627,874 S \* 11/2010 Pan ..... D23/411  
D660,953 S \* 5/2012 Allen ..... D23/377  
D750,215 S \* 2/2016 Gajewski ..... D23/385  
D758,561 S \* 6/2016 Dolan ..... D23/411  
D773,638 S \* 12/2016 Wang ..... D23/411  
2015/0198180 A1\* 7/2015 Gajewski ..... F04D 25/088  
416/247 R

\* cited by examiner

*Primary Examiner* — Cathron Brooks  
*Assistant Examiner* — Sharon S Oum

(74) *Attorney, Agent, or Firm* — Pai Patent & Trademark Law Firm; Chao-Chang David Pai

(57) **CLAIM**

The ornamental design for a ceiling fan, as shown and described.

**DESCRIPTION**

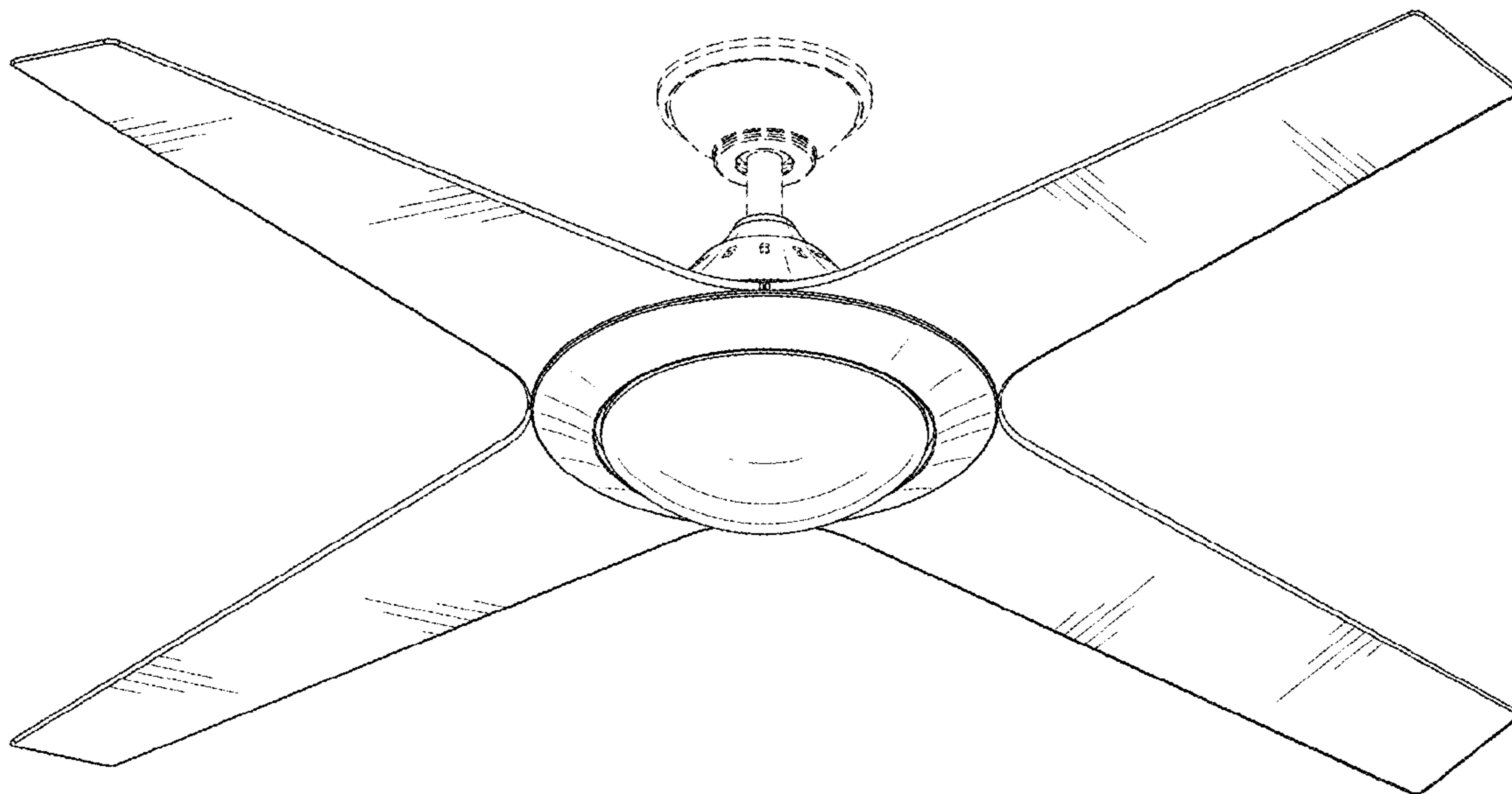
FIG. 1 is a front top perspective view of a ceiling fan showing my new design;  
FIG. 2 is a front elevational view thereof;  
FIG. 3 is a rear elevational view thereof;  
FIG. 4 is a left side elevational view thereof;  
FIG. 5 is a right side elevational view thereof;  
FIG. 6 is a top plan view thereof;  
FIG. 7 is a bottom plan view thereof; and,  
FIG. 8 is a front bottom perspective view thereof.  
The broken lines are for the purpose of illustrating environmental structure and form no part of the claimed design.

**1 Claim, 6 Drawing Sheets**

(56) **References Cited**

U.S. PATENT DOCUMENTS

D346,858 S \* 5/1994 Lee ..... D23/377  
D348,729 S \* 7/1994 Mason ..... D23/377  
D377,975 S \* 2/1997 Young ..... D23/377  
D396,530 S \* 7/1998 Tai ..... D23/377  
D448,840 S \* 10/2001 Gajewski ..... D23/377  
D599,461 S \* 9/2009 Ertze ..... D23/377



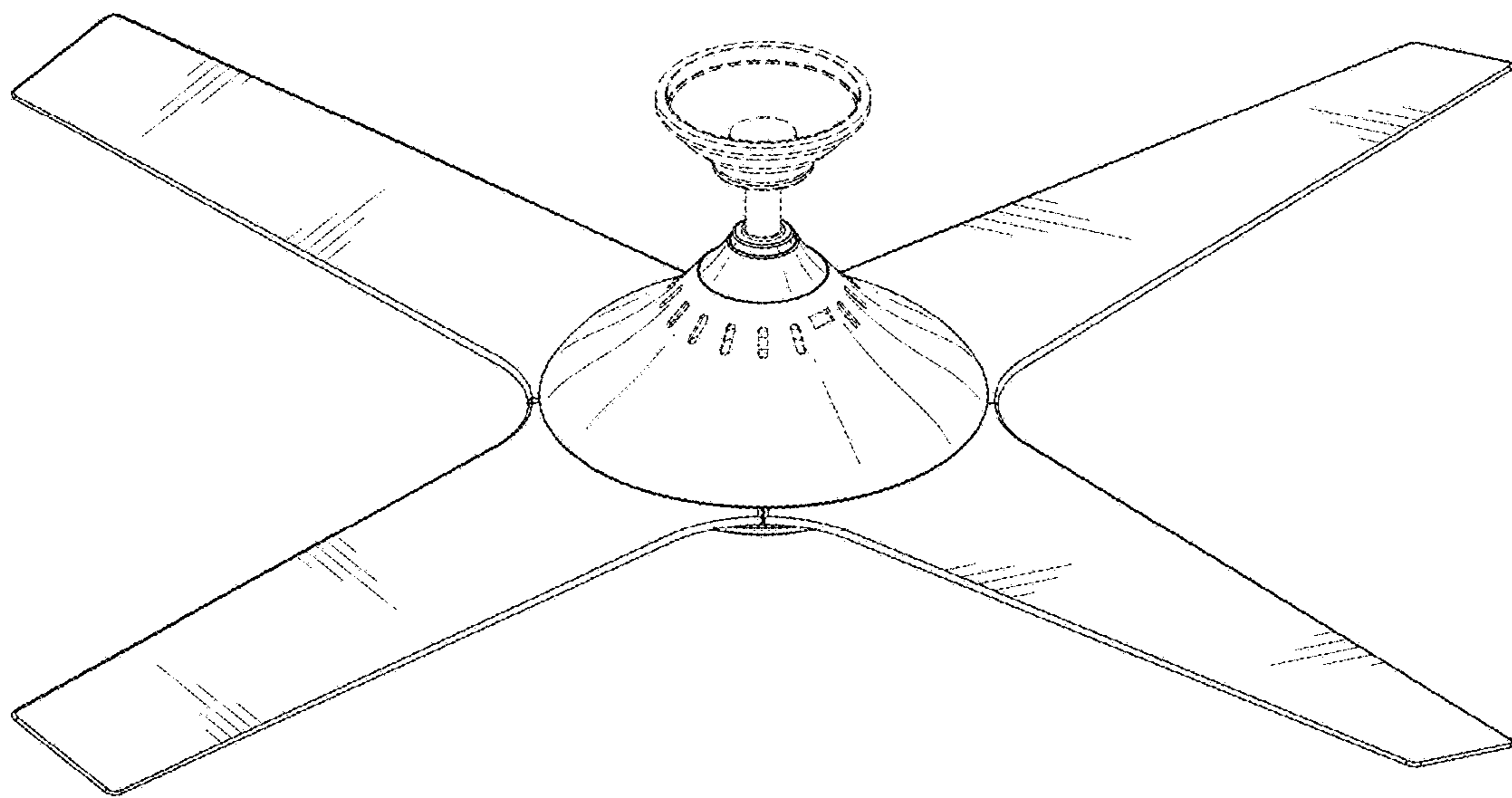


FIG. 1

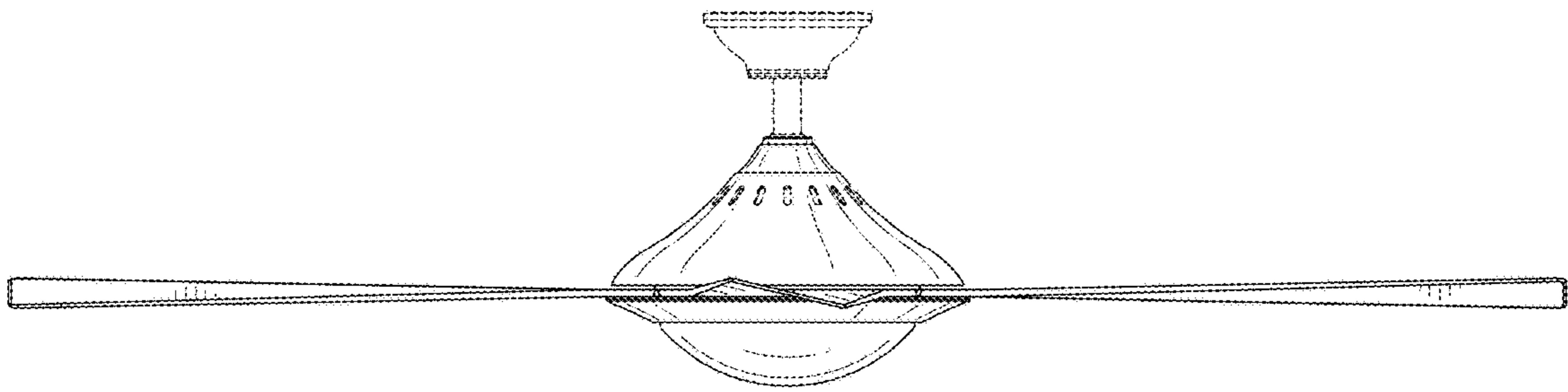


FIG. 2

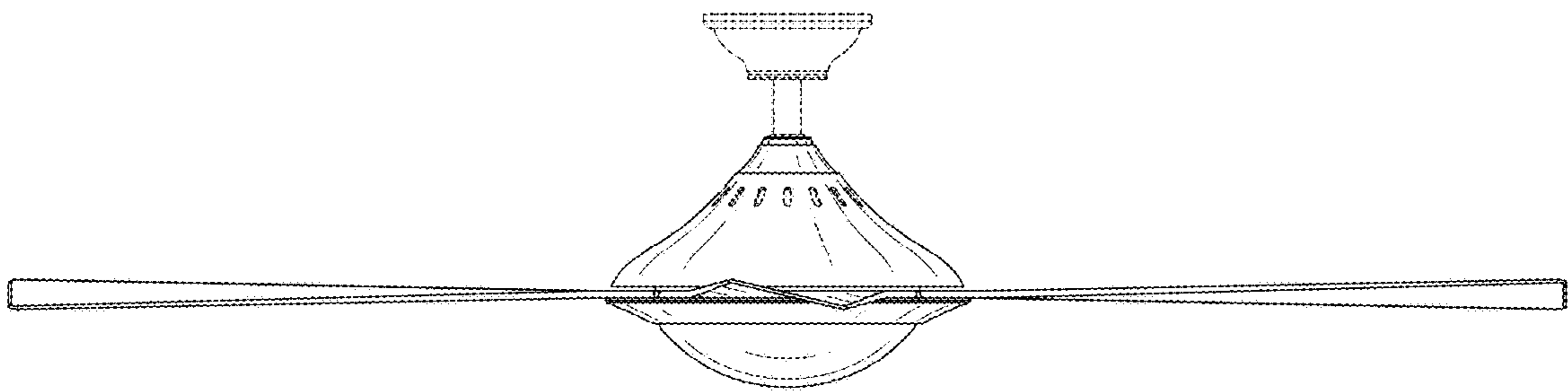


FIG. 3

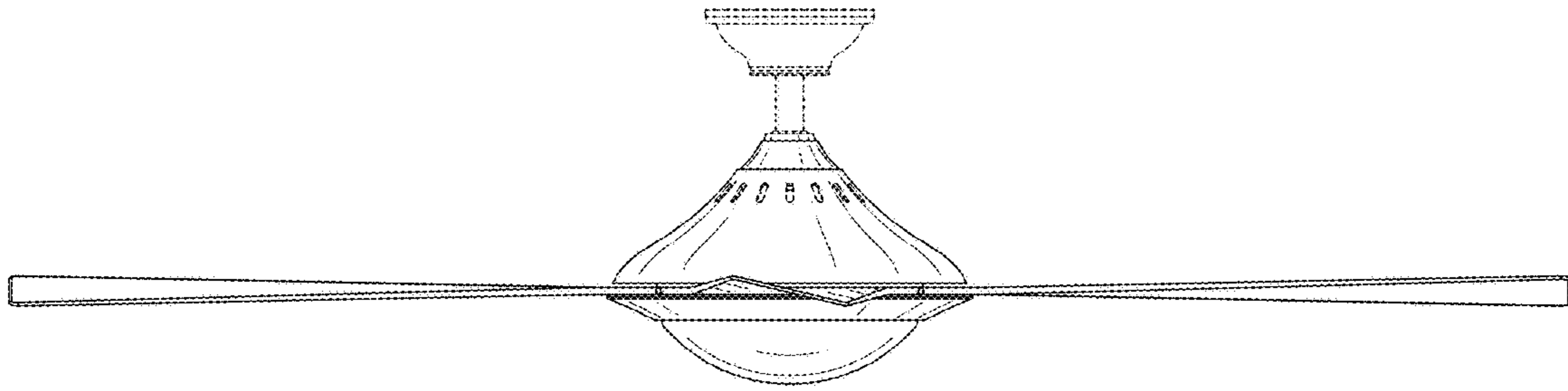


FIG. 4

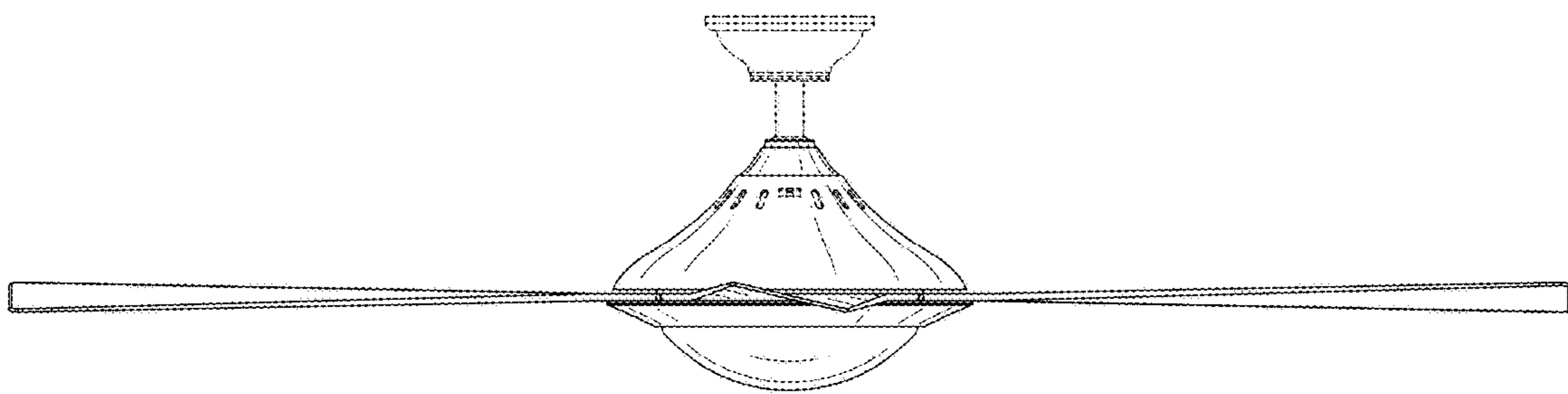


FIG. 5

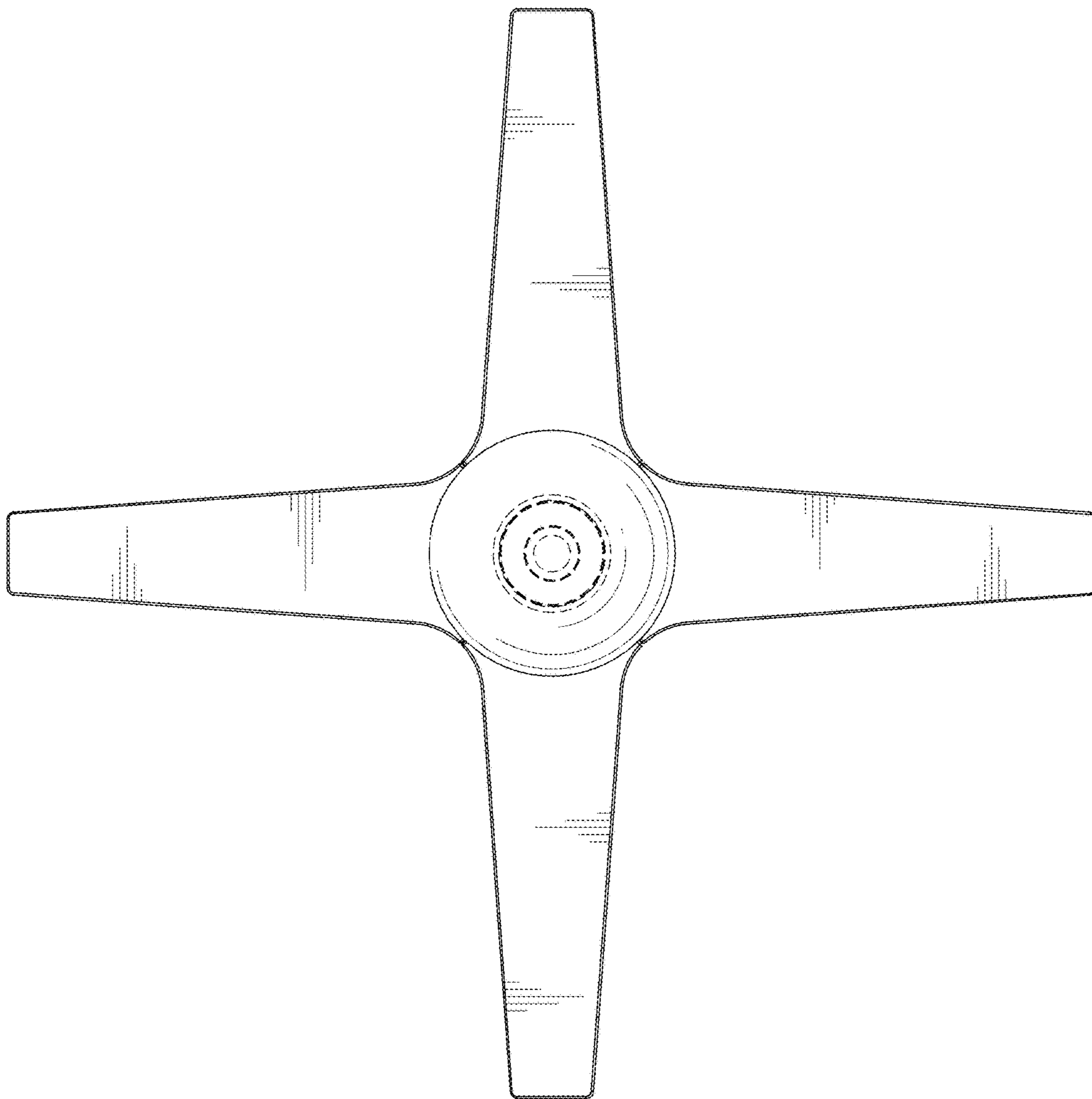


FIG. 6

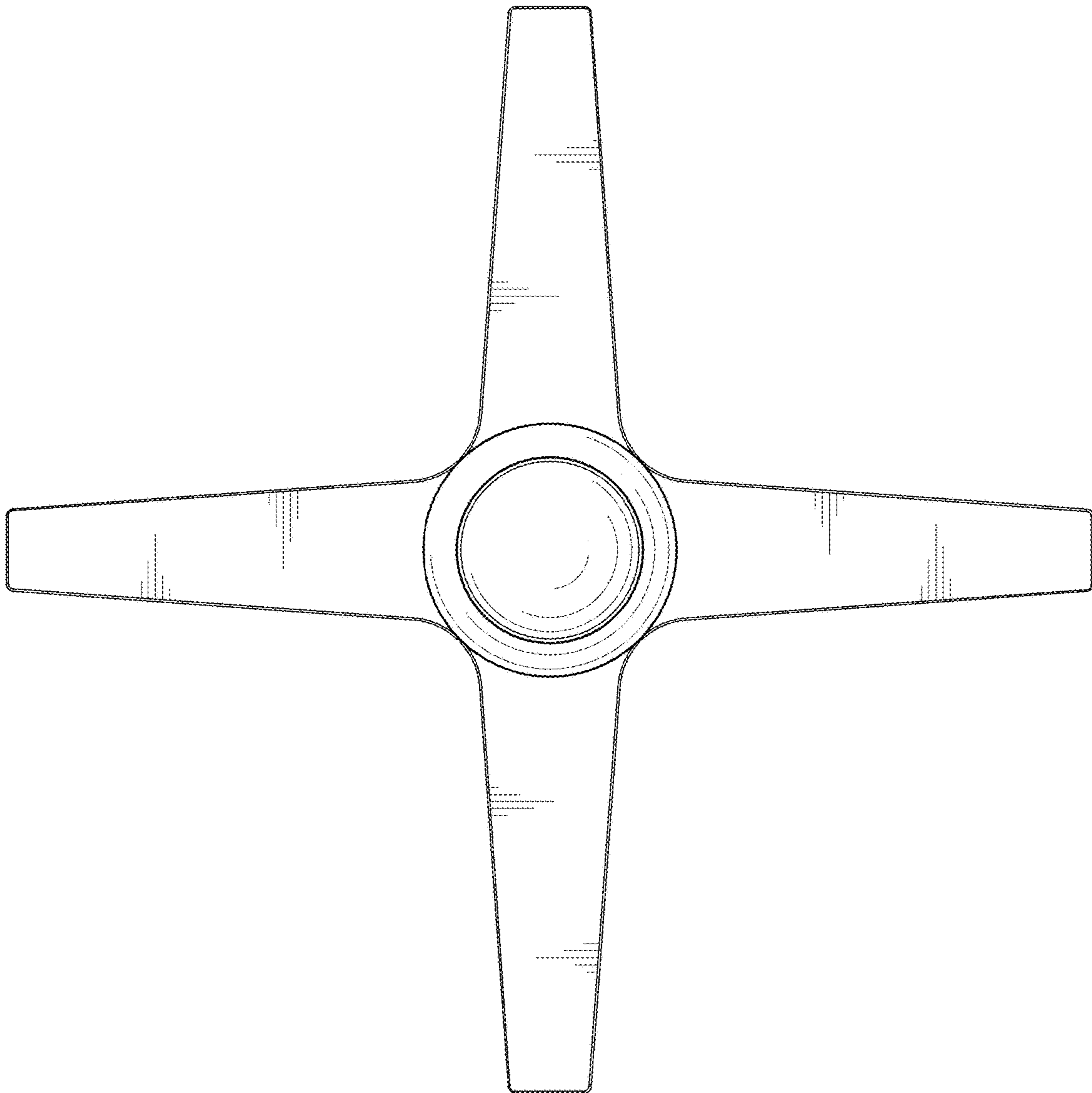


FIG. 7



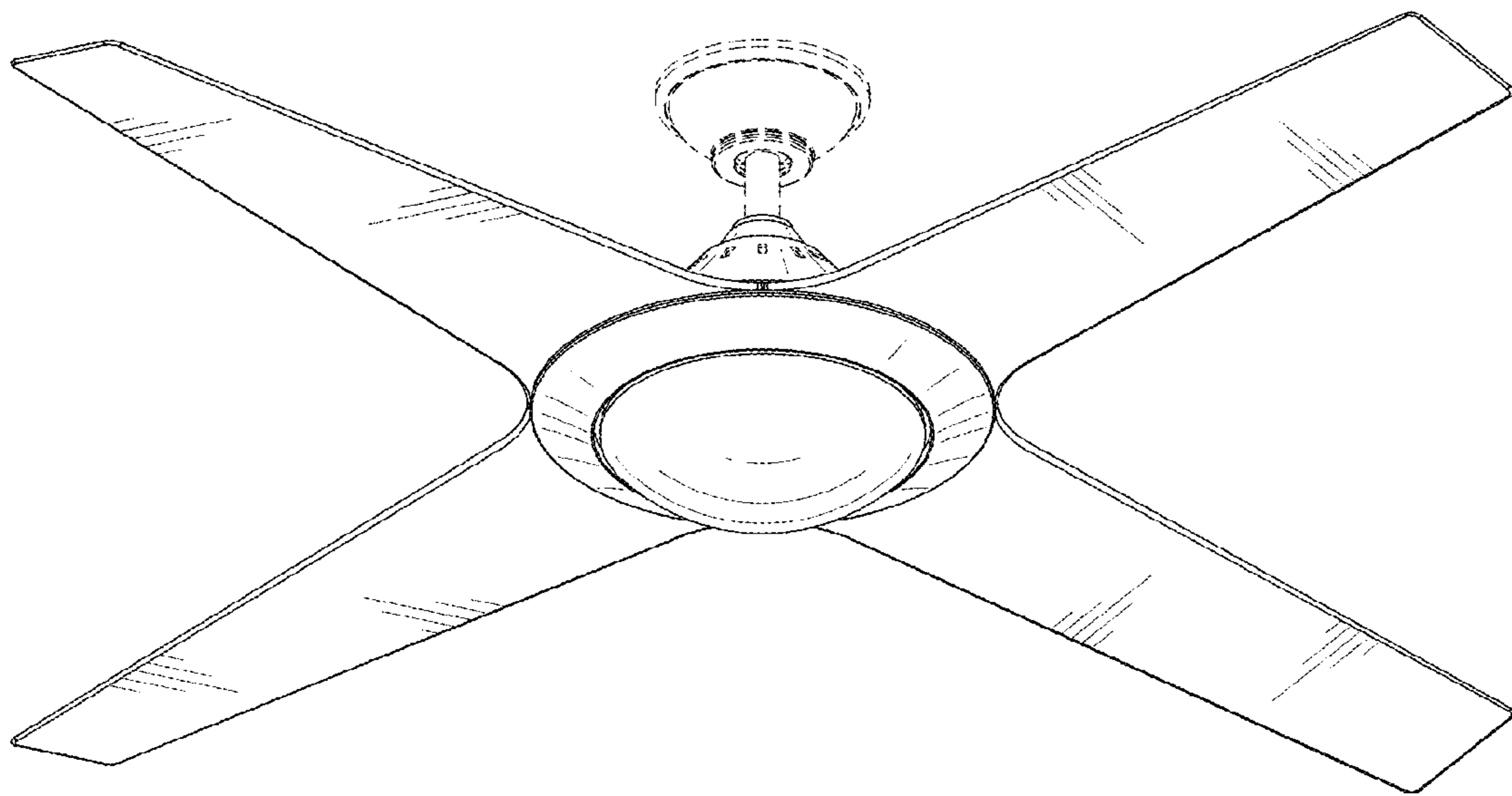


FIG. 8