



US00D788280S

(12) **United States Design Patent**
Shah et al.

(10) **Patent No.:** **US D788,280 S**
(45) **Date of Patent:** **** May 30, 2017**

- (54) **SCENT DIFFUSER**
- (71) Applicant: **Trackmind Solutions LLC**, New Brunswick, NJ (US)
- (72) Inventors: **Siddharth Shah**, Freehold, NJ (US); **Michael E. Bobev**, Kendall Park, NJ (US)
- (73) Assignee: **Trackmind Solutions LLC**, New Brunswick, NJ (US)
- (**) Term: **15 Years**
- (21) Appl. No.: **29/527,137**
- (22) Filed: **May 15, 2015**
- (51) **LOC (10) Cl.** **28-99**
- (52) **U.S. Cl.**
USPC **D23/366**
- (58) **Field of Classification Search**
USPC D23/355-369; D28/5, 6; 261/DIG. 17, 261/DIG. 42, DIG. 47, DIG. 55, DIG. 65, 261/DIG. 70, DIG. 88, DIG. 89; 392/386, 392/389, 394, 395, 403; 239/34, 44, 45, 239/53, 56
CPC ... A61L 9/02; A61L 9/03; A61L 9/034; A61L 9/04; A61L 9/12; A61L 9/032; A61L 9/122; A61L 9/127; A61L 9/22
See application file for complete search history.

- 2,738,225 A * 3/1956 Meek A61L 9/12 239/55
- 2,763,395 A * 9/1956 Meek B05B 11/00 220/23.89
- D225,009 S * 10/1972 Blaricum D23/360
- 3,797,982 A * 3/1974 Borrello B30B 11/224 425/198
- 4,094,639 A * 6/1978 McMillan A61L 9/12 239/58
- 4,165,835 A * 8/1979 Dearling A61L 9/12 239/45
- D288,714 S * 3/1987 Wilson D23/366
- D411,294 S * 6/1999 Gutmann D23/355
- D449,371 S * 10/2001 Bornstein D23/360
- D451,183 S * 11/2001 Hirano D23/366
- 6,398,127 B1 * 6/2002 Wingo A61L 9/03 239/53
- D507,341 S * 7/2005 Taylor D23/368
- D515,685 S * 2/2006 Ribbing D23/366
- D527,448 S * 8/2006 Ku D23/366

(Continued)

Primary Examiner — Sandra Snapp
(74) *Attorney, Agent, or Firm* — Lerner, David, Littenberg, Krumholz & Mentlik, LLP

(57) **CLAIM**

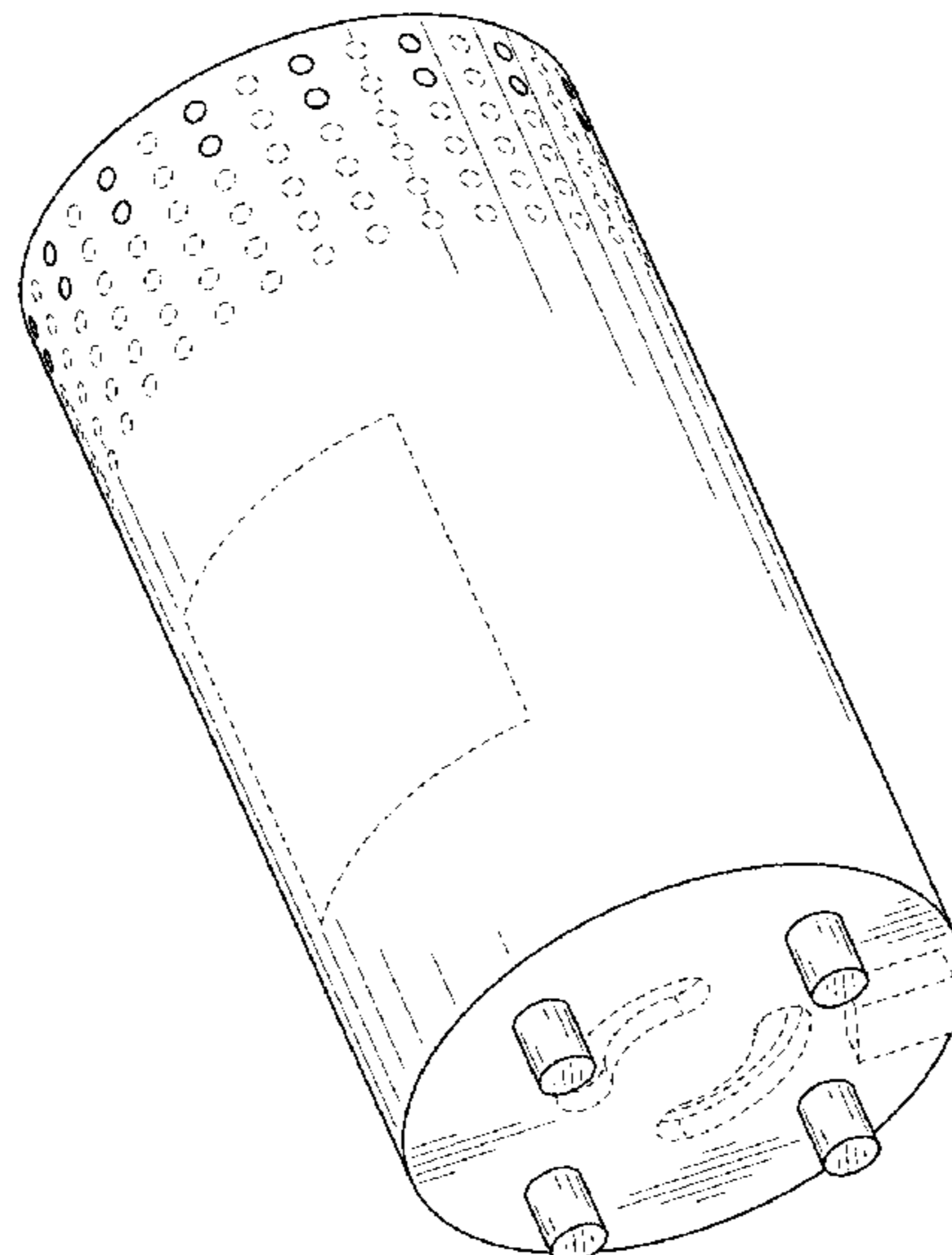
The ornamental design for a scent diffuser, as shown and described.

DESCRIPTION

FIG. 1 is a front perspective view of a scent diffuser according to our design;
FIG. 2 is a front elevation view thereof;
FIG. 3 is a back elevation view thereof;
FIG. 4 is a right side elevation view thereof;
FIG. 5 is a left side elevation view thereof;
FIG. 6 is a top elevation view thereof; and,
FIG. 7 is a bottom elevation view thereof.
The broken lines illustrate elements of the scent diffuser that form no part of the claimed design.

1 Claim, 3 Drawing Sheets

- (56) **References Cited**
U.S. PATENT DOCUMENTS
1,016,648 A * 2/1912 Snell A61L 9/127 206/0.5
1,344,318 A * 6/1920 Slye A01M 1/2055 206/278.1
2,438,129 A * 3/1948 Rich A24F 25/02 222/544
2,738,224 A * 3/1956 Checkovich A61L 9/12 239/57



(56)

References Cited

U.S. PATENT DOCUMENTS

D581,506	S	*	11/2008	Kelnhofer	D23/360
D582,533	S	*	12/2008	Bodine	D23/366
D607,985	S	*	1/2010	Roller	D23/366
D625,852	S	*	10/2010	Franklin	D26/22
D625,853	S	*	10/2010	Franklin	D26/22
D625,854	S	*	10/2010	Franklin	D26/22
D625,855	S	*	10/2010	Franklin	D26/22
D625,856	S	*	10/2010	Franklin	D26/22
D631,579	S	*	1/2011	Franklin	D26/22
D631,580	S	*	1/2011	Franklin	D26/22
D631,581	S	*	1/2011	Franklin	D26/22
D634,417	S	*	3/2011	Abbondanzio	D23/366
D643,088	S	*	8/2011	McDaniel	D22/125
D643,915	S	*	8/2011	Endo	D23/364
D703,804	S	*	4/2014	Nuzzi, Jr.	D23/366
D706,915	S	*	6/2014	Suzuki	D23/366
8,781,306	B2	*	7/2014	Hatten	A61M 11/041 128/203.27
D726,027	S	*	4/2015	Holbrook	D9/688
D726,894	S	*	4/2015	Thau	D23/366
D733,097	S	*	6/2015	Grismer	D14/216
D744,541	S	*	12/2015	Langhammer	D14/203.1
2007/0044793	A1	*	3/2007	Kleinstreuer	A61M 16/208 128/200.21

* cited by examiner

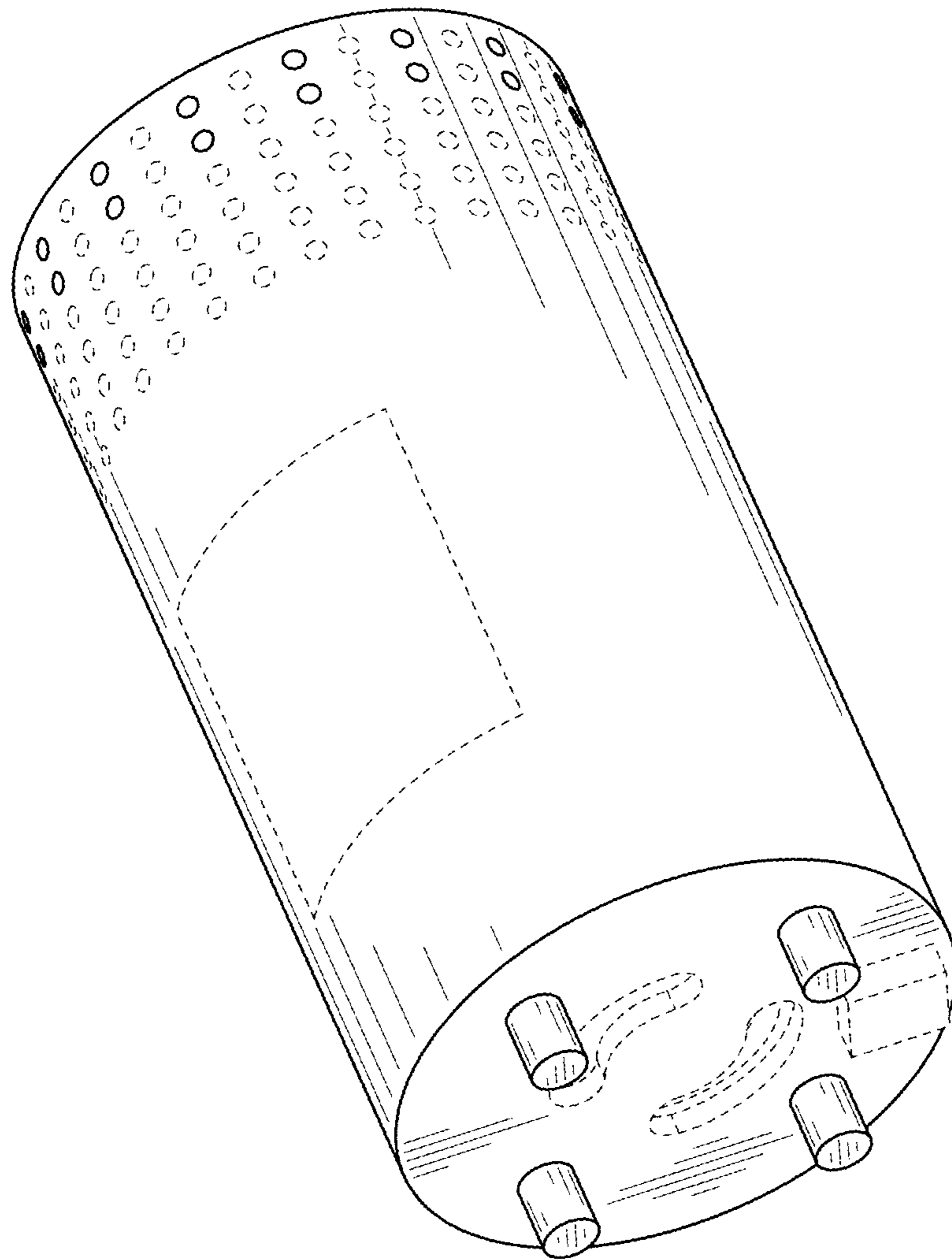


FIG. 1

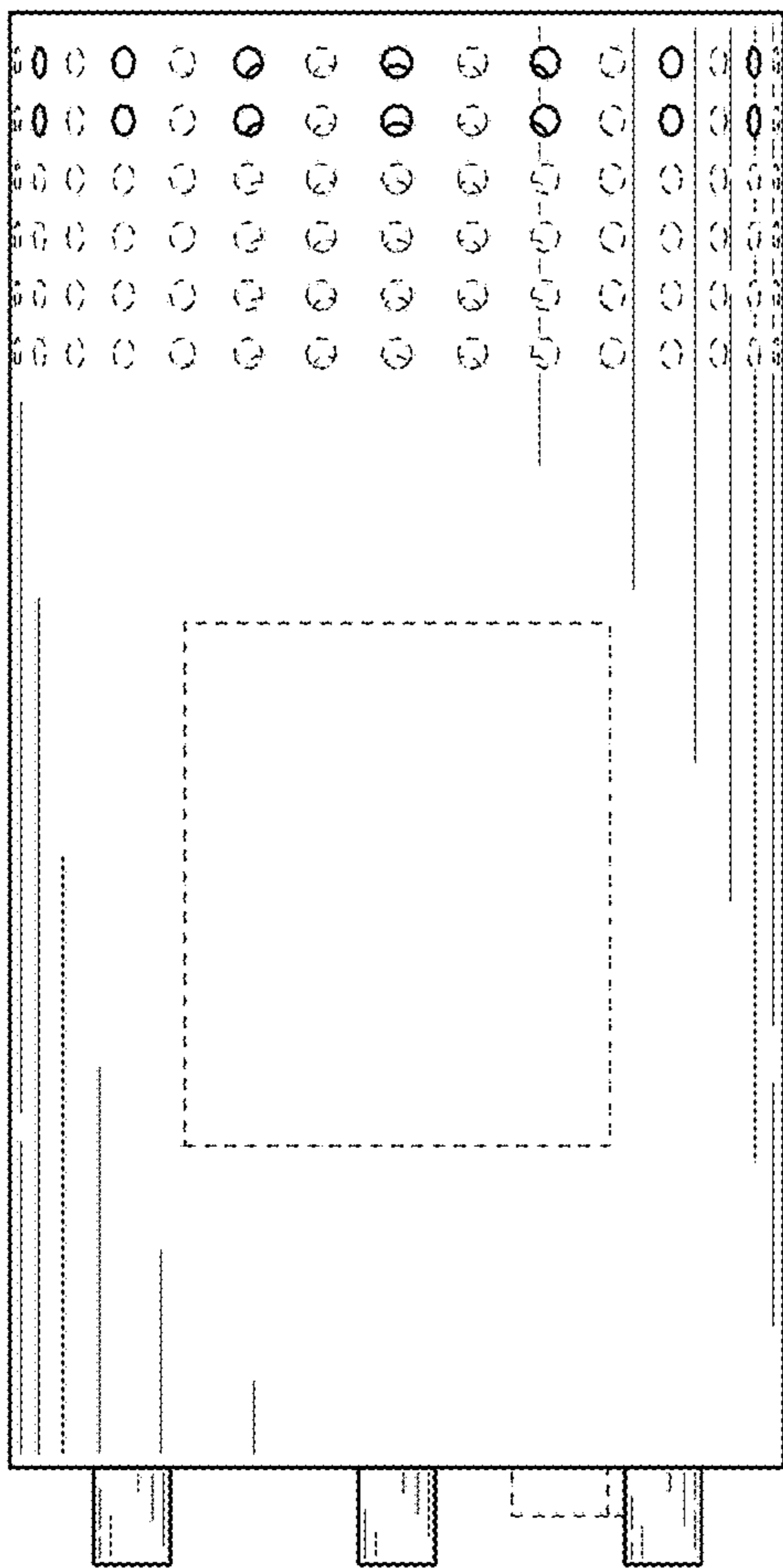


FIG. 2

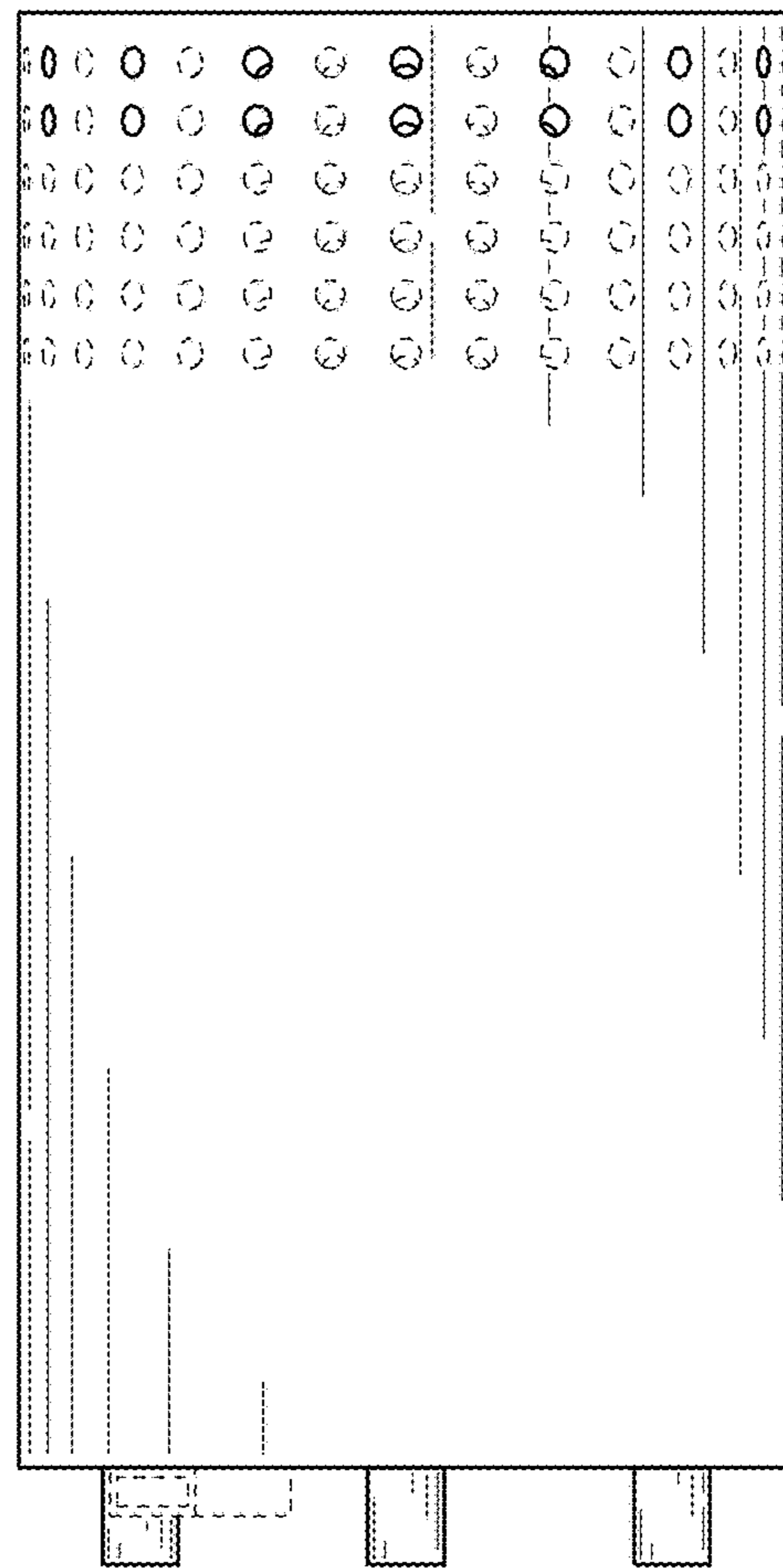


FIG. 3



FIG. 4

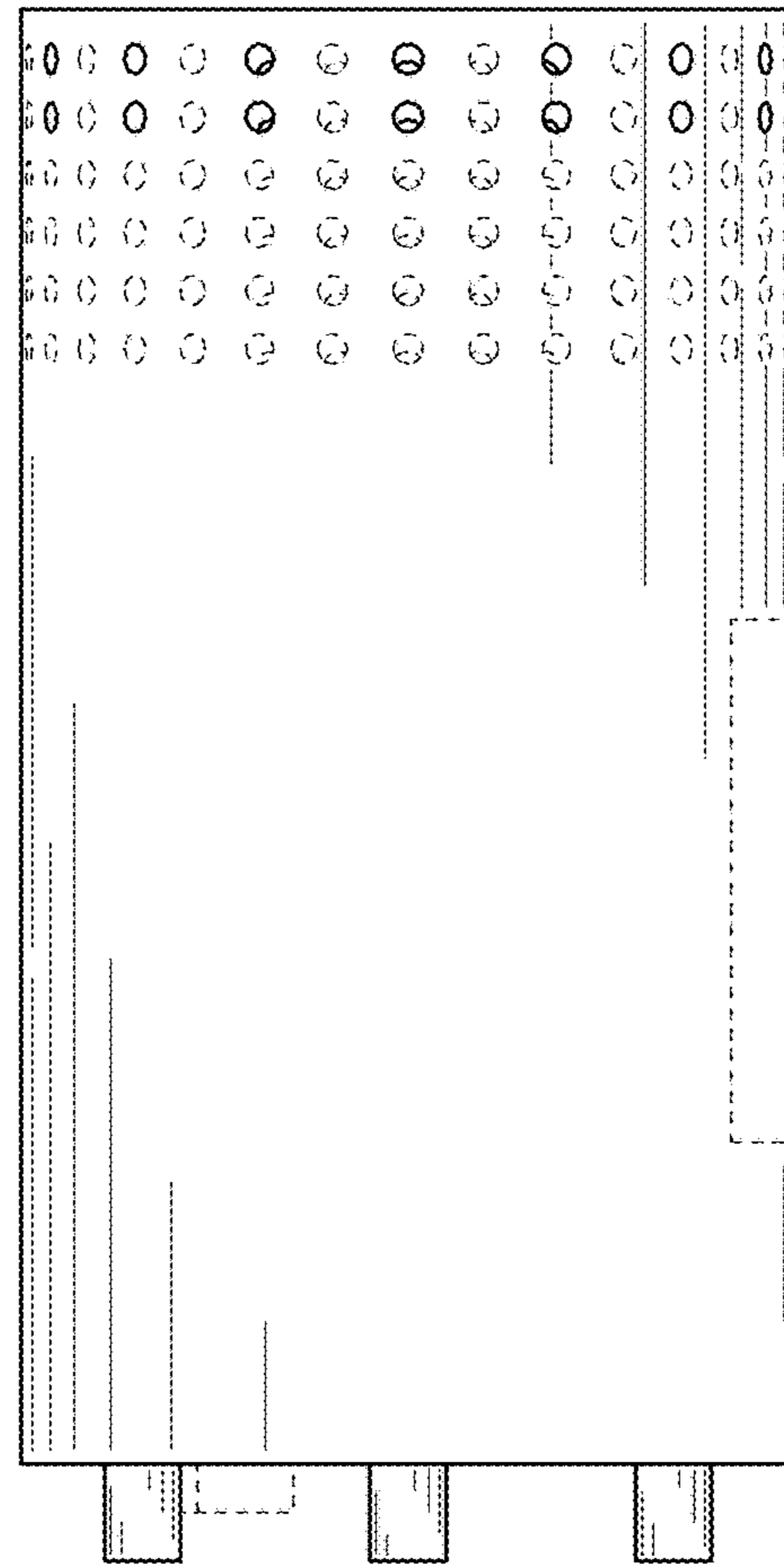


FIG. 5

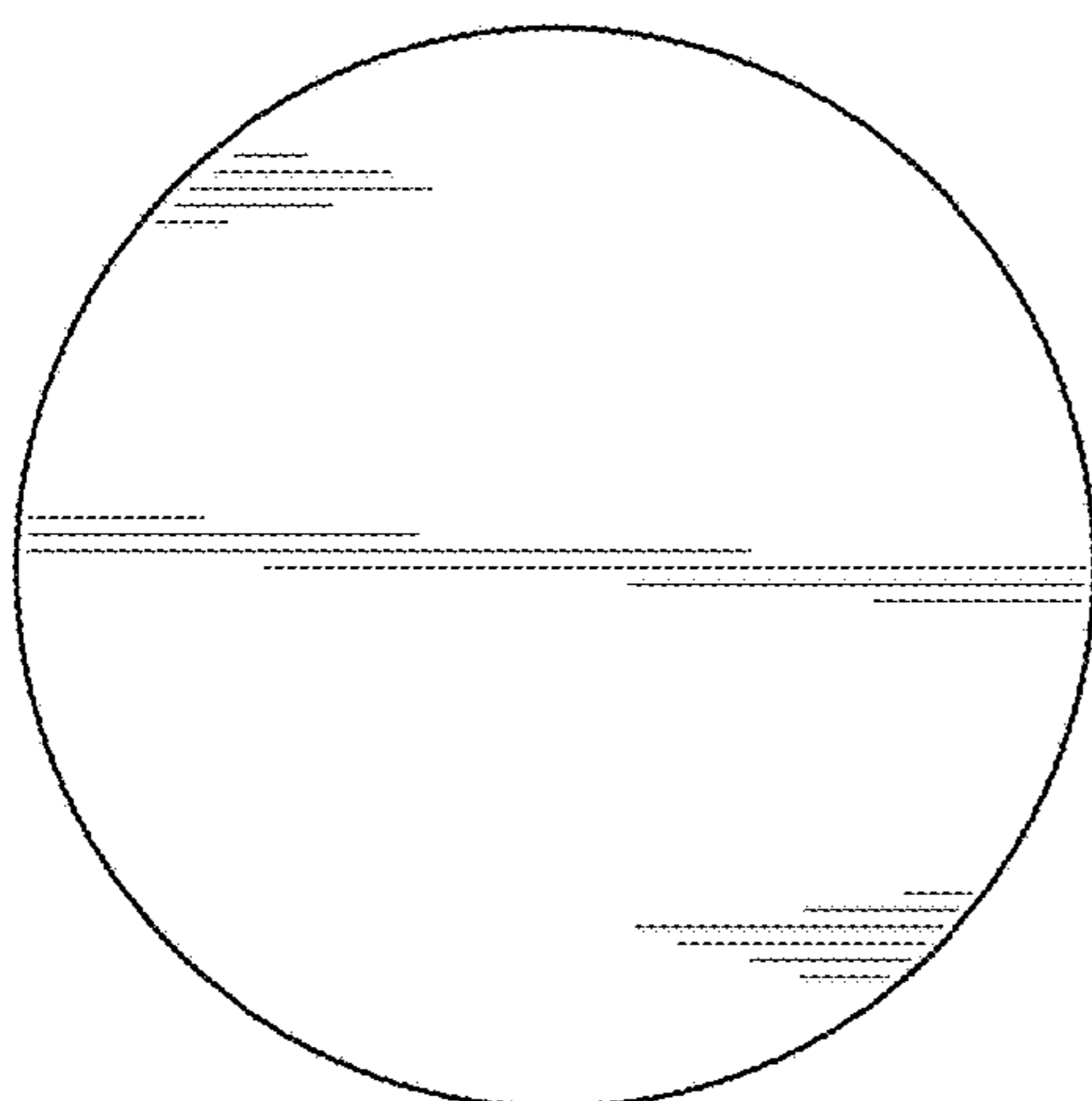


FIG. 6

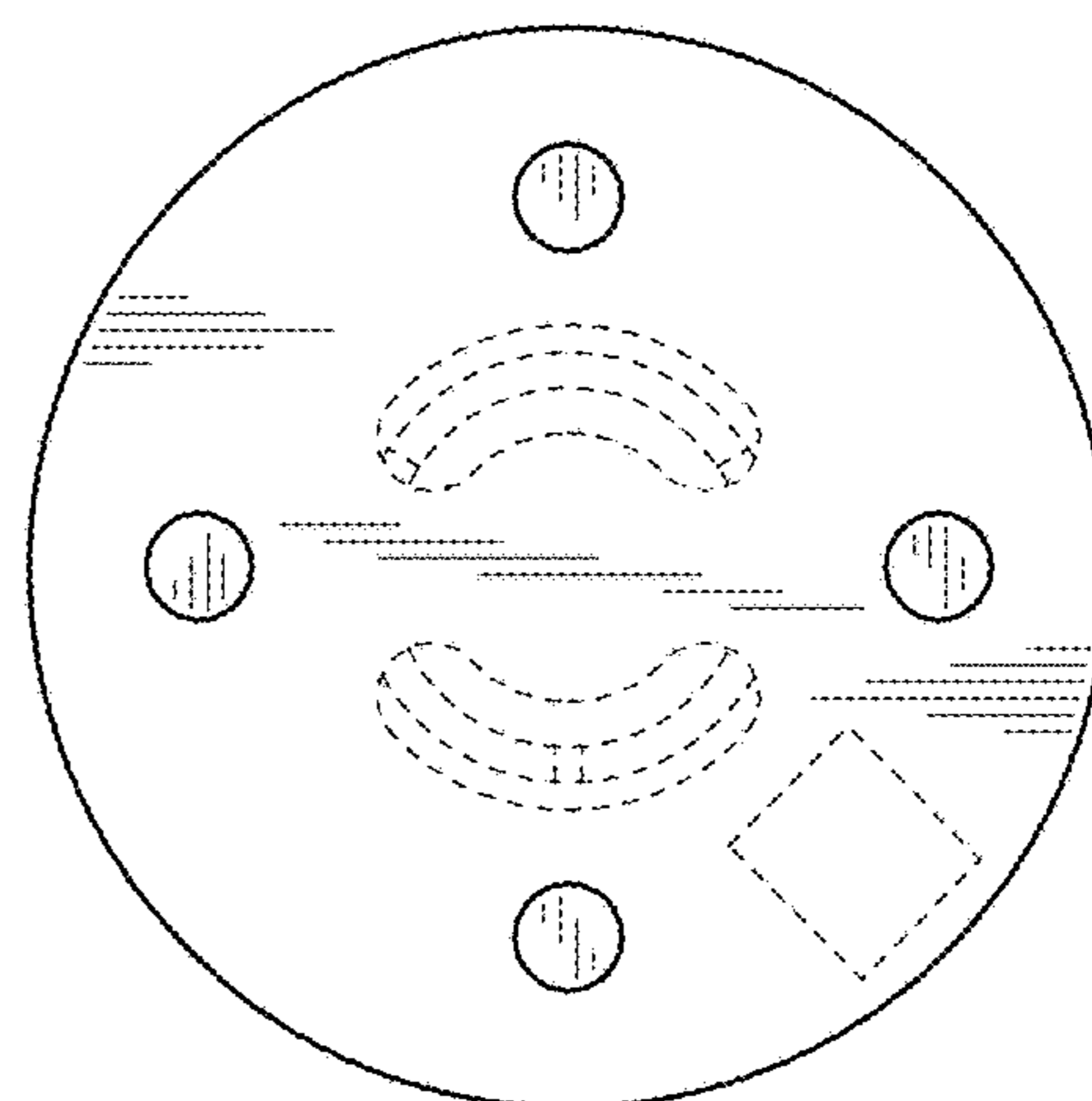


FIG. 7