



US00D788279S

(12) **United States Design Patent**  
**Lee et al.**

(10) **Patent No.:** **US D788,279 S**  
(45) **Date of Patent:** **\*\* May 30, 2017**

(54) **DEHUMIDIFIER**

(71) Applicant: **Samsung Electronics Co., Ltd.**,  
Suwon-si, Gyeonggi-do (KR)

(72) Inventors: **Kio Lee**, Seoul (KR); **Sunny Shin**,  
Seoul (KR); **Heejae Jeong**, Seoul (KR);  
**Kyoungsoo Sun**, Seoul (KR); **Hoyoung**  
**Joo**, Goyang-si (KR); **Jinsun Park**,  
Seoul (KR)

(73) Assignee: **SAMSUNG ELECTRONICS CO.,**  
**LTD**, Gyeonggi-Do (KR)

(\*\*) Term: **15 Years**

(21) Appl. No.: **29/543,257**

(22) Filed: **Oct. 22, 2015**

(30) **Foreign Application Priority Data**

May 8, 2015 (KR) ..... 30-2015-0023496

(51) **LOC (10) Cl.** ..... **23-04**

(52) **U.S. Cl.**  
USPC ..... **D23/359**

(58) **Field of Classification Search**  
USPC ..... D23/364, 366, 333, 332, 355, 356, 359  
CPC ..... B01D 46/02; B01D 46/00  
See application file for complete search history.

(56) **References Cited**

**U.S. PATENT DOCUMENTS**

D221,763 S \* 9/1971 Gilbertson ..... D23/364  
D495,043 S \* 8/2004 Gatchell ..... D23/364  
D513,797 S \* 1/2006 Wang ..... D23/356  
D537,073 S \* 2/2007 Peersman ..... D14/213

D587,794 S \* 3/2009 Yoo ..... D23/359  
D634,415 S \* 3/2011 Abbondanzio ..... D23/366  
D664,248 S \* 7/2012 Huang ..... D23/364  
D675,303 S \* 1/2013 Raupach ..... D23/364  
D691,255 S \* 10/2013 Abbondanzio ..... D23/366  
D699,336 S \* 2/2014 Girard ..... D23/370  
D705,410 S \* 5/2014 Terao ..... D23/364  
D714,923 S \* 10/2014 Engelhard ..... D23/364  
D726,093 S \* 4/2015 Perkins ..... D12/345  
D740,926 S \* 10/2015 Lin ..... D23/332  
D776,801 S \* 1/2017 Tamura ..... D23/330

\* cited by examiner

*Primary Examiner* — Kevin Rudzinski

(74) *Attorney, Agent, or Firm* — Cantor Colburn LLP

(57) **CLAIM**

The ornamental design for a dehumidifier, as shown and described.

**DESCRIPTION**

FIG. 1 is a front perspective view of a dehumidifier showing our new design;

FIG. 2 is a front view thereof;

FIG. 3 is a rear view thereof;

FIG. 4 is a left side elevation view thereof;

FIG. 5 is a right side elevation view thereof;

FIG. 6 is a top view thereof;

FIG. 7 is a bottom view thereof;

FIG. 8 is a rear perspective view thereof;

FIG. 9 is a rear perspective view thereof in an alternate configuration; and,

FIG. 10 is an exploded perspective view thereof in an alternate configuration.

The broken lines illustrating portions of the dehumidifier form no part of the claimed design.

**1 Claim, 10 Drawing Sheets**

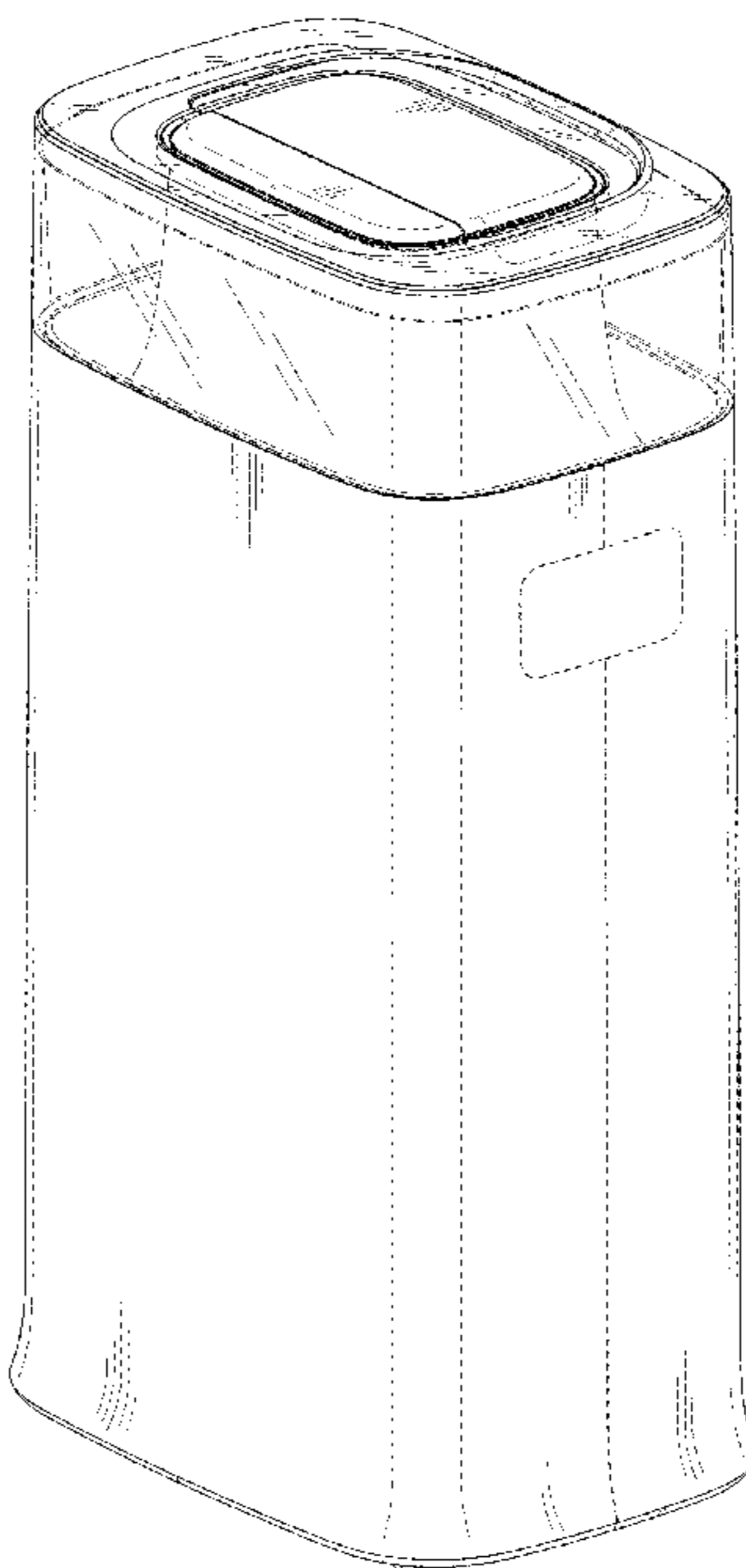


FIG. 1

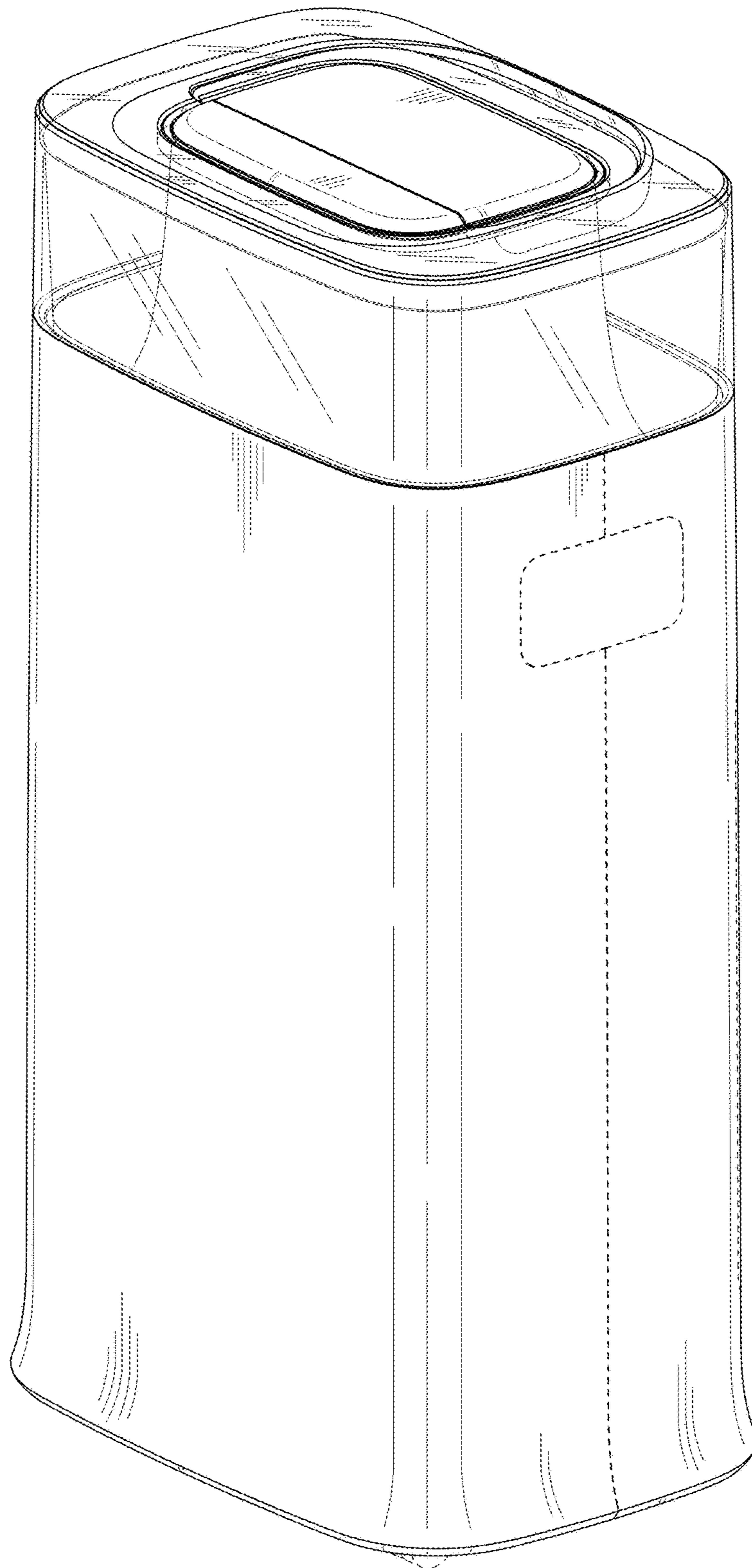


FIG. 2

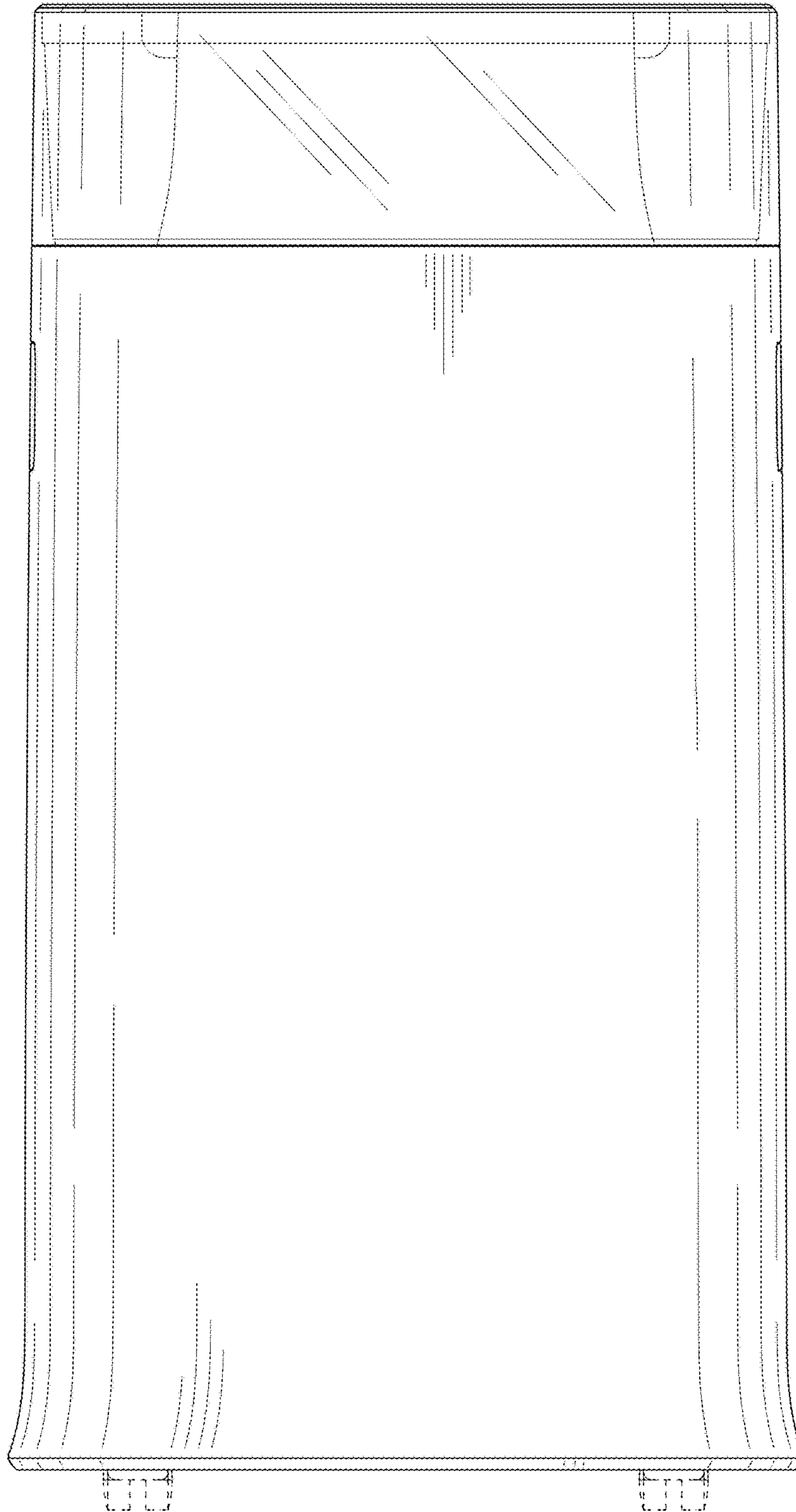


FIG. 3

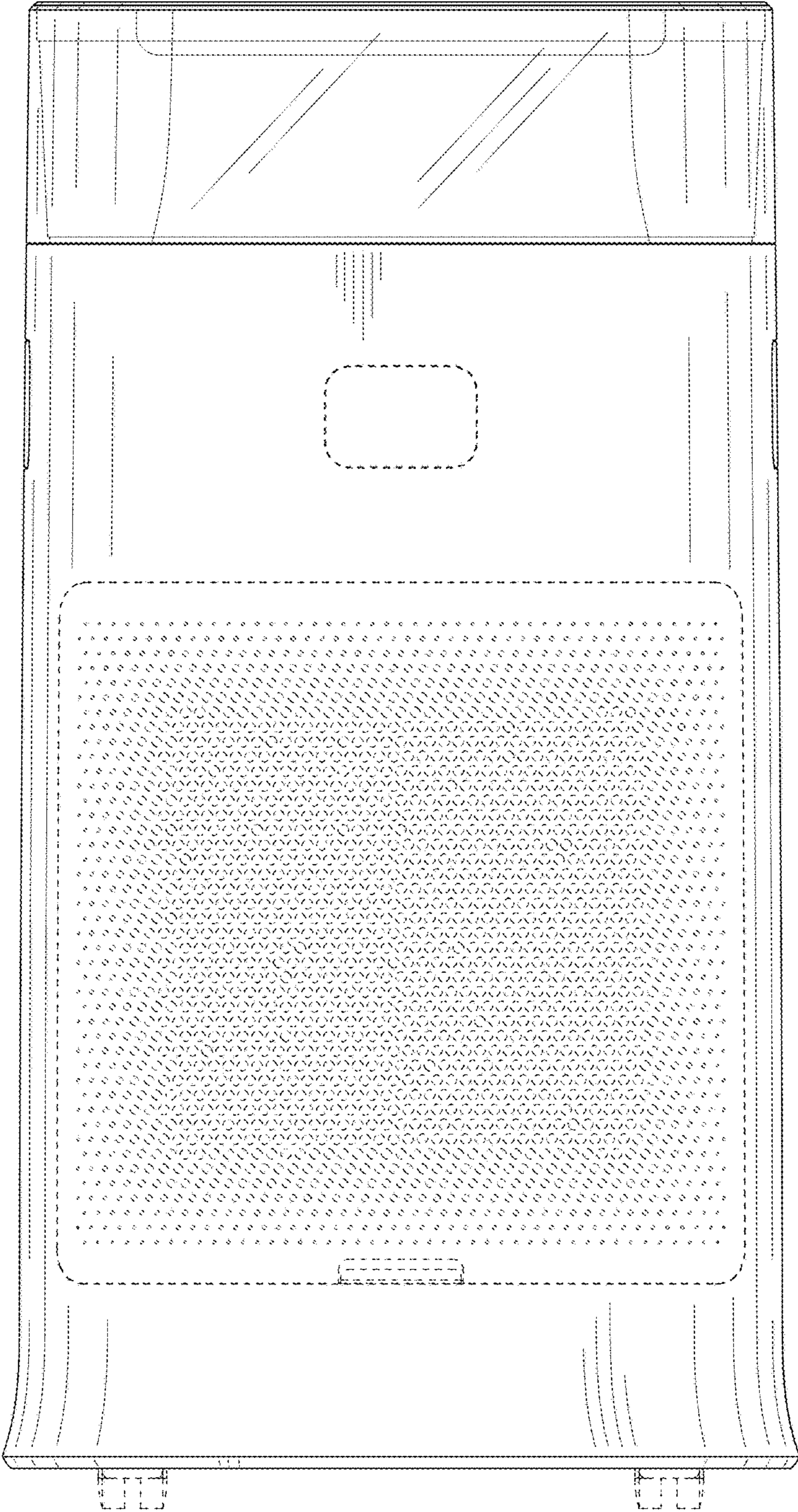


FIG. 4

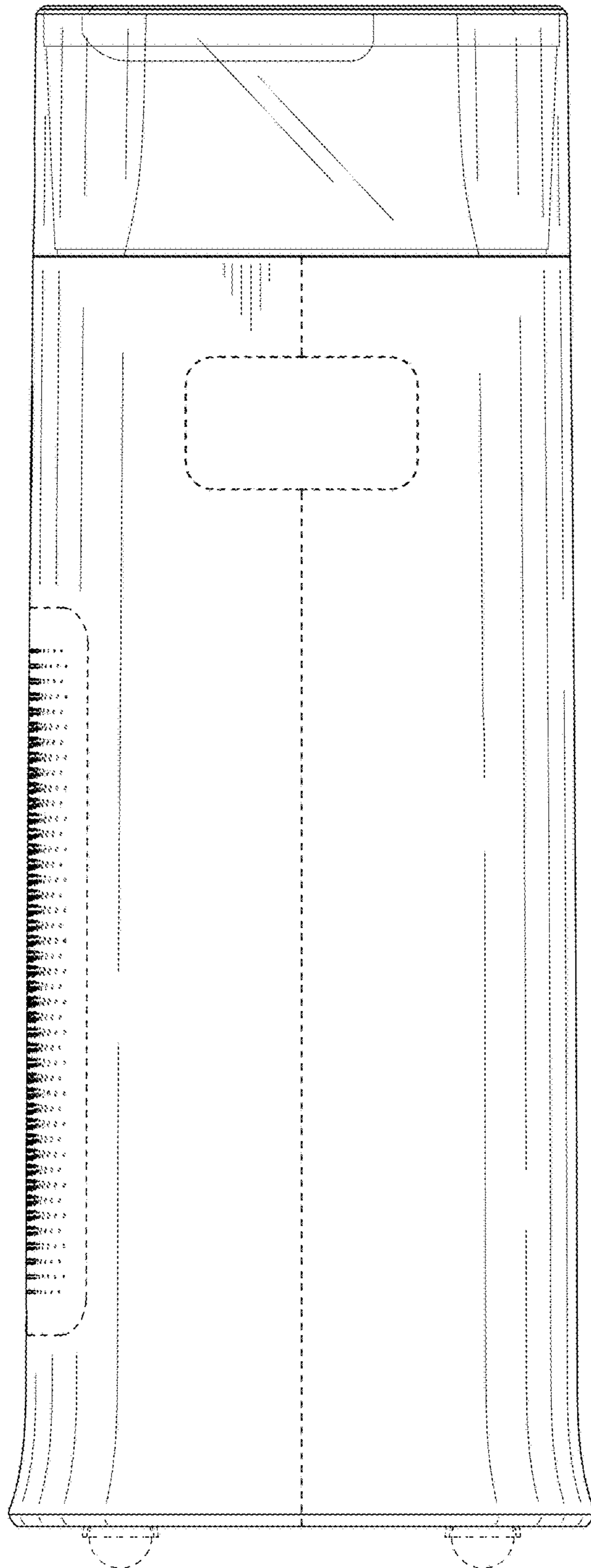


FIG. 5

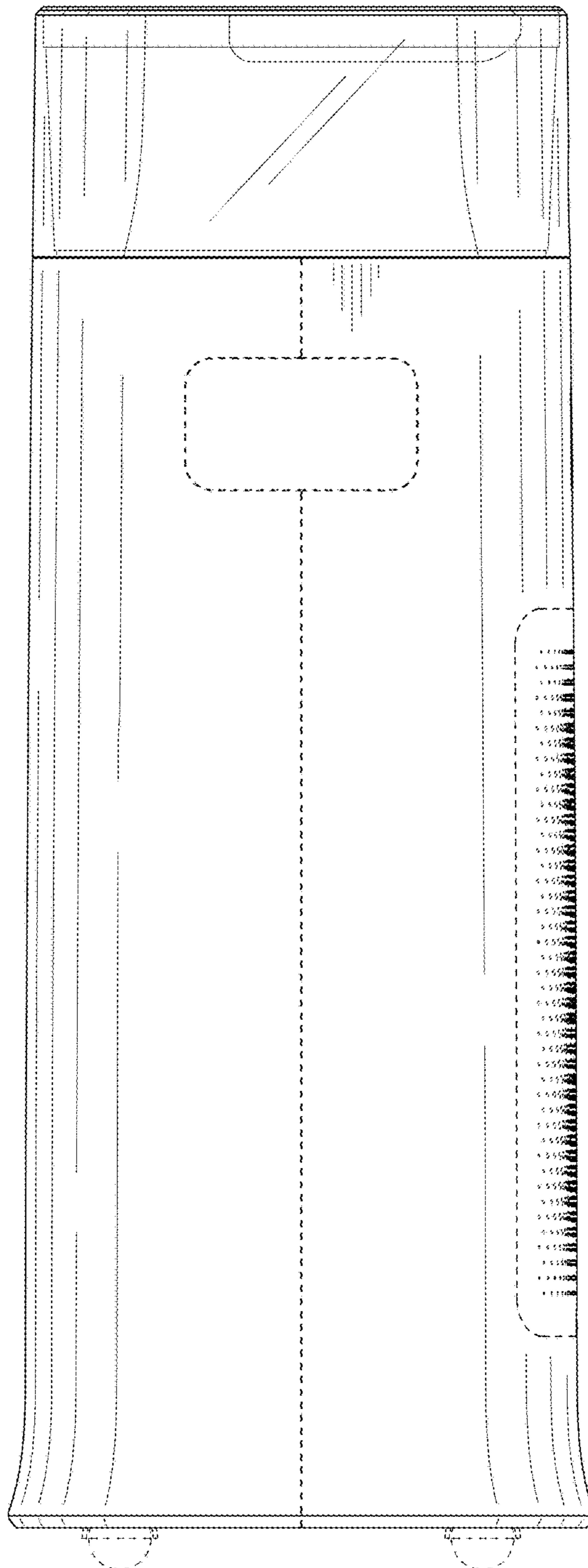


FIG. 6

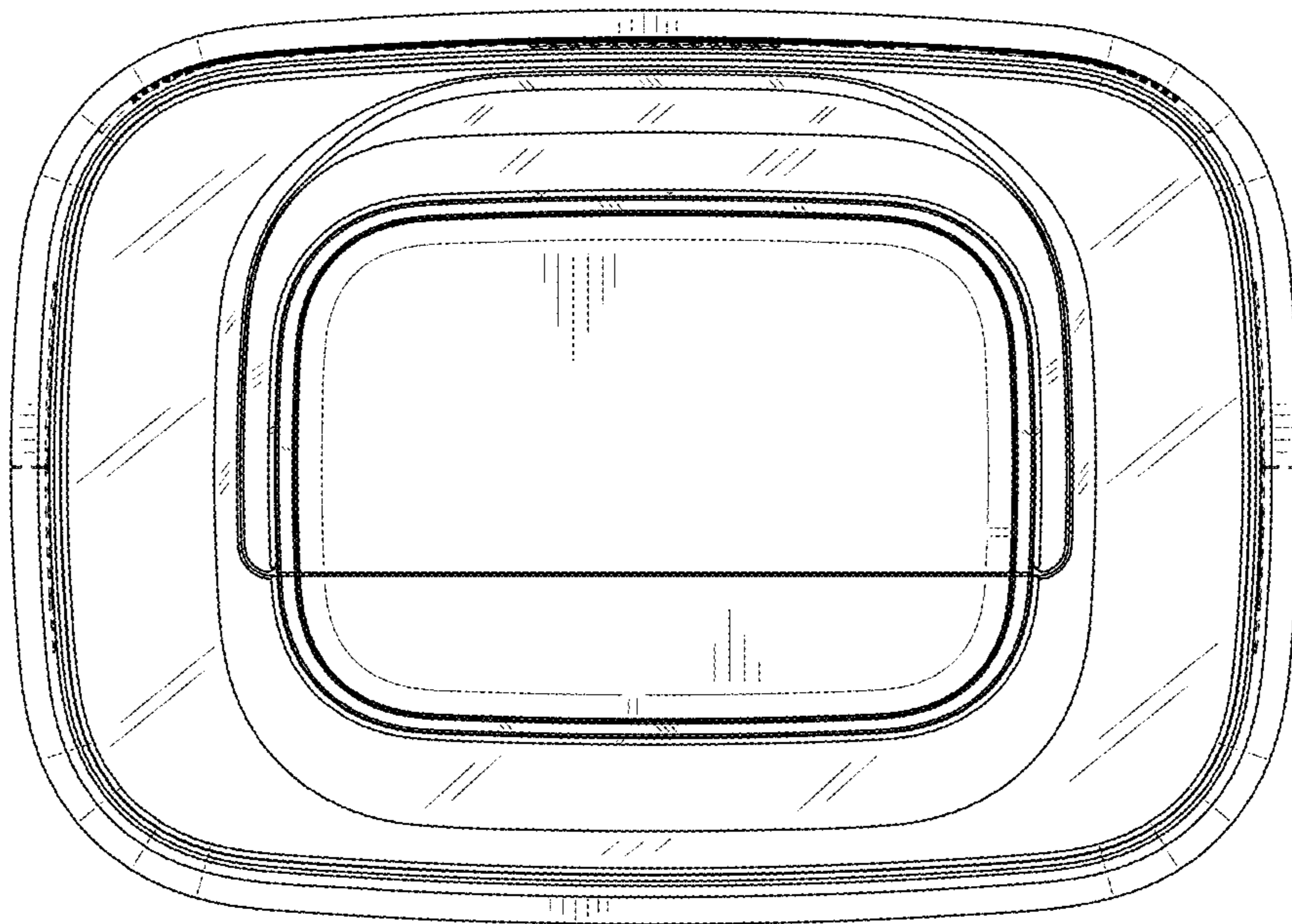


FIG. 7

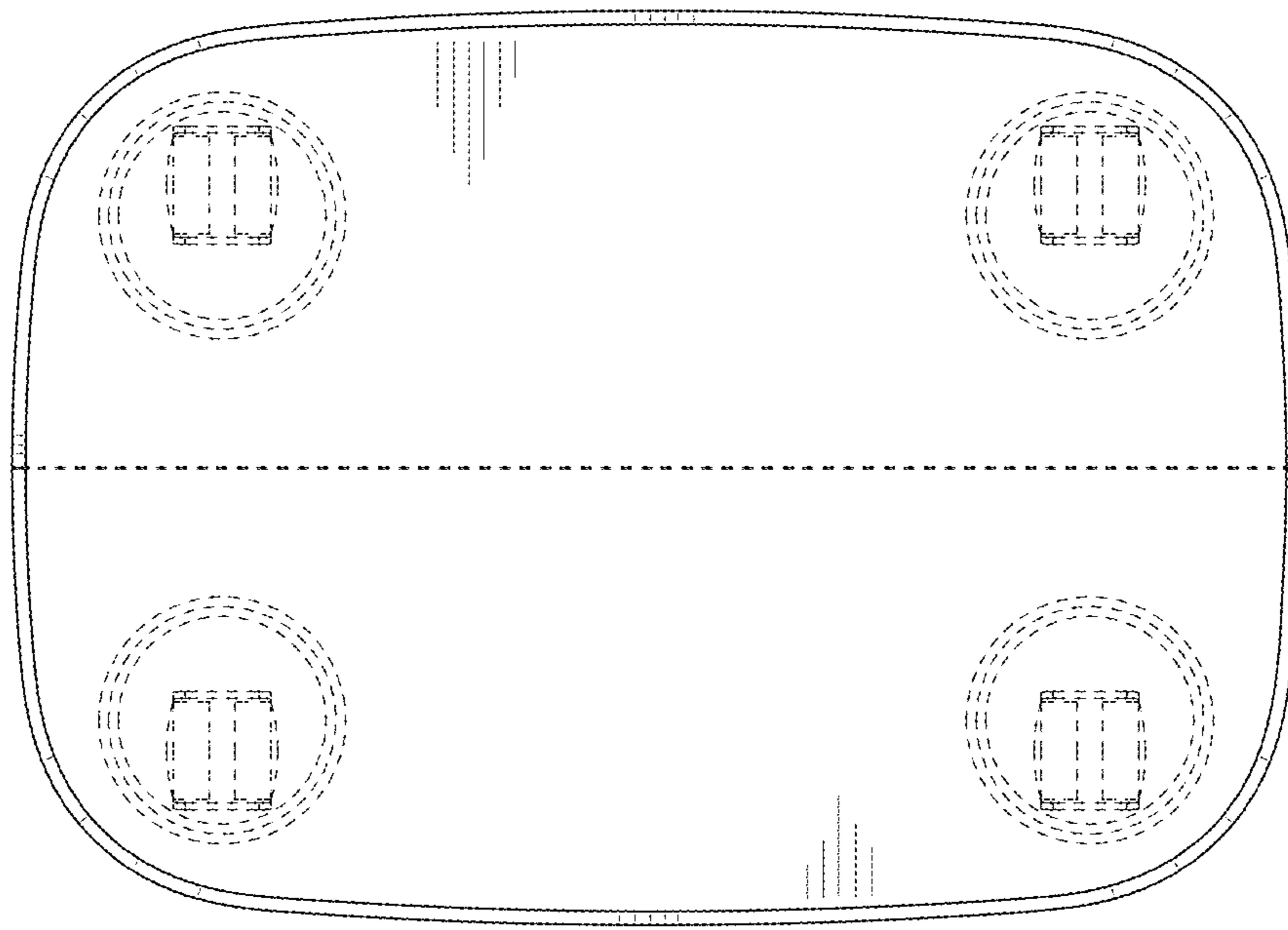




FIG. 8

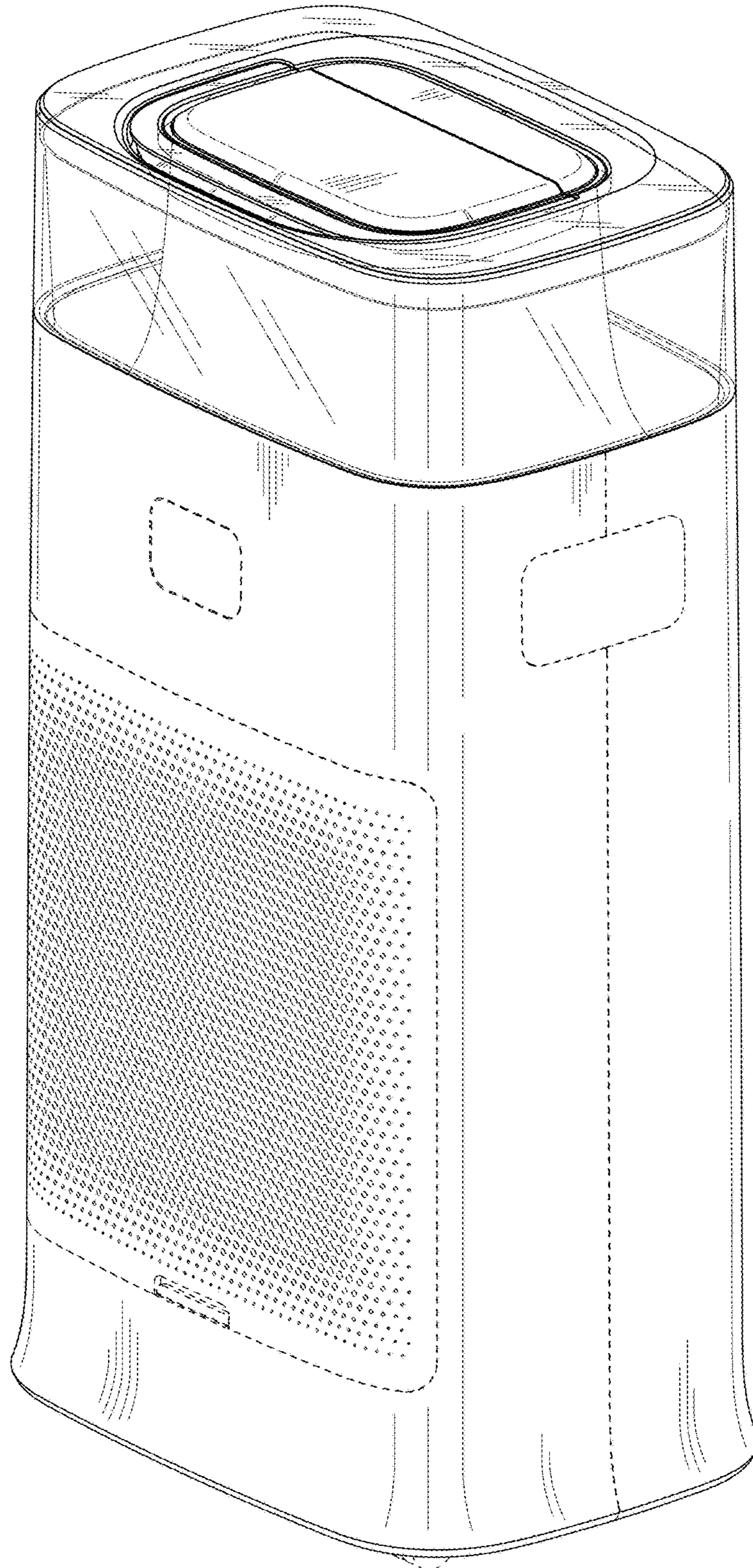


FIG. 9

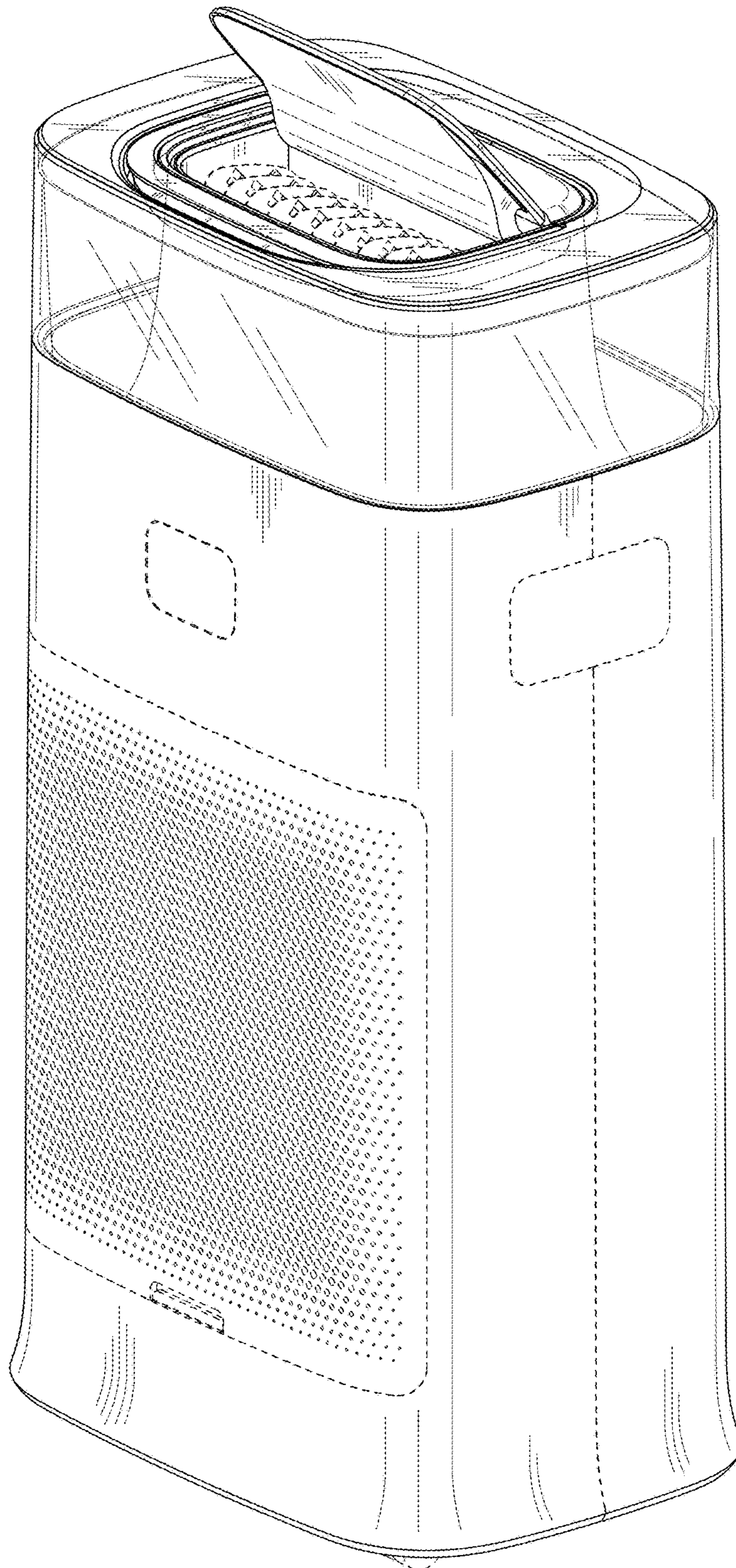


FIG. 10

