



US00D788275S

(12) **United States Design Patent** (10) **Patent No.:** **US D788,275 S**
Hwang et al. (45) **Date of Patent:** **** *May 30, 2017**

- (54) **HOT WATER BOILER** 6,256,456 B1 * 7/2001 DeSantis F24H 1/181
219/536
- (71) Applicant: **Kyungdong Navien Co., Ltd.,** D532,878 S * 11/2006 Cortese D23/318
Pyeongtaek, Gyeonggi-Do (KR) D726,294 S * 4/2015 Bacigalupo D23/318
2003/0012564 A1 * 1/2003 Brache F24H 1/181
392/451
- (72) Inventors: **Gye Ho Hwang,** Gyeonggi-do (KR); 2006/0243270 A1 * 11/2006 Moskwa F24H 9/20
Eun Cheuk Woo, Seoul (KR) 126/194
- (73) Assignee: **Kyungdong Navien Co., Ltd.,** 2009/0120923 A1 * 5/2009 Mayen F23Q 3/00
Pyeongtaek, Gyeonggi-do (KR) 219/270
- (*) Notice: This patent is subject to a terminal dis- 2010/0310240 A1 * 12/2010 Yang F24D 15/02
claimer. 392/308
- (**) Term: **15 Years** 2014/0014312 A1 * 1/2014 Chu F24H 9/2007
165/267
- (21) Appl. No.: **29/543,393** 2014/0064716 A1 * 3/2014 Cohen F24H 9/2021
392/441
- (22) Filed: **Oct. 23, 2015**
- (30) **Foreign Application Priority Data**

* cited by examiner

Primary Examiner — T. Chase Nelson
Assistant Examiner — Ania Aman
(74) *Attorney, Agent, or Firm* — Mintz Levin Cohn Ferris
Glovsky and Popeo, P.C.; Kongsik Kim; Carolina Säve

- Apr. 24, 2015 (KR) 30-2015-0021227
- (51) **LOC (10) Cl.** **23-03**
- (52) **U.S. Cl.**
USPC **D23/318**
- (58) **Field of Classification Search**
USPC D23/318, 319, 321, 316; D7/306, 309,
D7/311
CPC F24H 9/2028; F24H 9/02; F24H 9/128;
F24H 9/2021; F24H 9/2007; F24H
9/0005; F24H 1/08; F24H 7/00; F24H
4/00; F24H 2/142; F24H 1/22; F24H
1/18; F24H 1/50; F24H 1/225; F24H
1/26; F24H 1/48; H05B 3/78
See application file for complete search history.

(57) **CLAIM**

The ornamental design for a hot water boiler, as shown and described.

DESCRIPTION

FIG. 1 is a perspective view of a hot water boiler according to the present invention.
FIG. 2 is a front view of the hot water boiler of FIG. 1.
FIG. 3 is a rear view of the hot water boiler of FIG. 1.
FIG. 4 is a left side view of the hot water boiler of FIG. 1.
FIG. 5 is a right side view of the hot water boiler of FIG. 1; and,
FIG. 6 is a top view of the hot water boiler of FIG. 1.
The part of the drawings shown in broken line, illustrates a portion of the hot water boiler that forms no part of the claimed design.

- (56) **References Cited**
U.S. PATENT DOCUMENTS
D262,649 S * 1/1982 Owen D23/318
5,775,267 A * 7/1998 Hou F24H 1/124
122/18.4

1 Claim, 6 Drawing Sheets

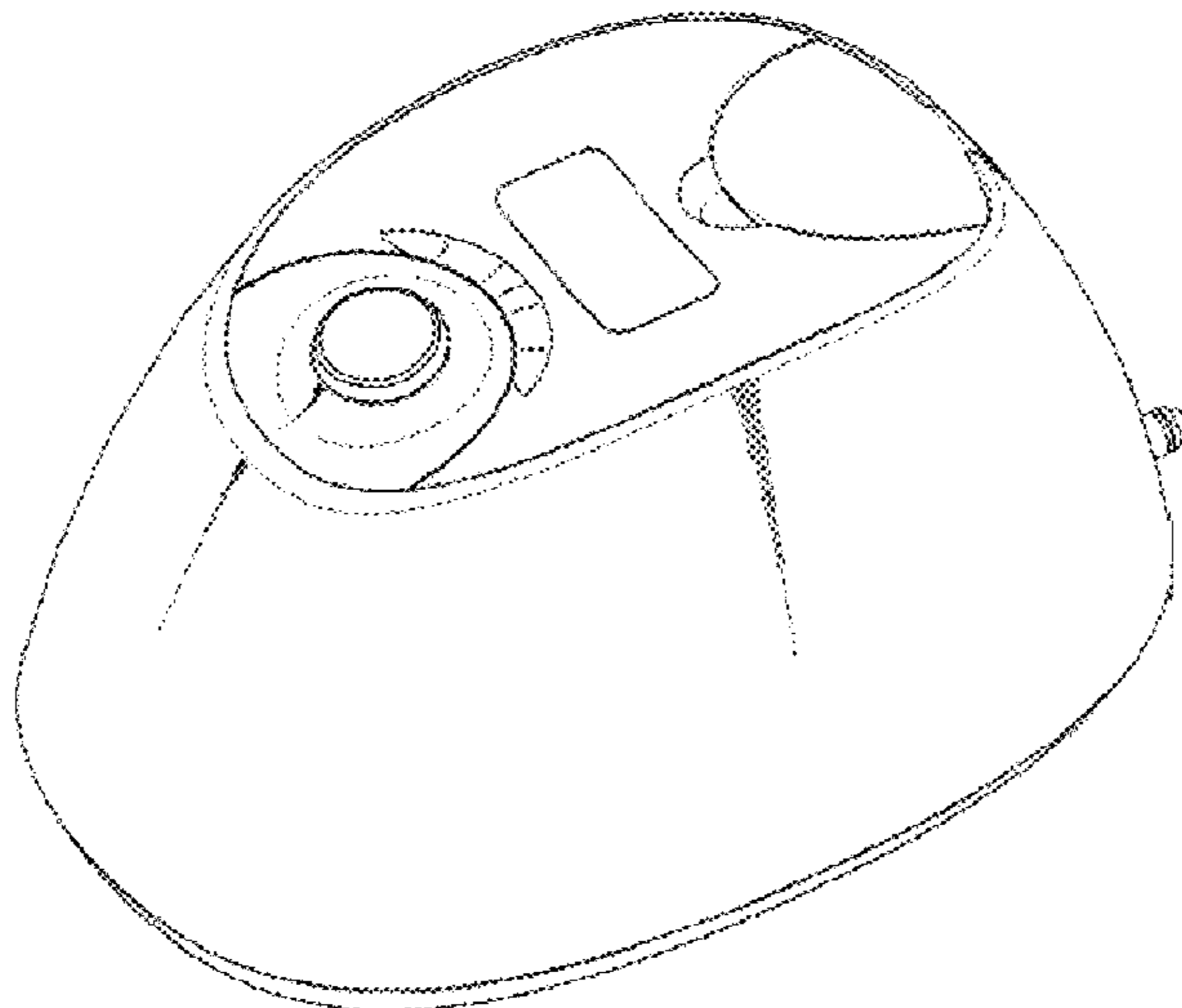


FIG. 1

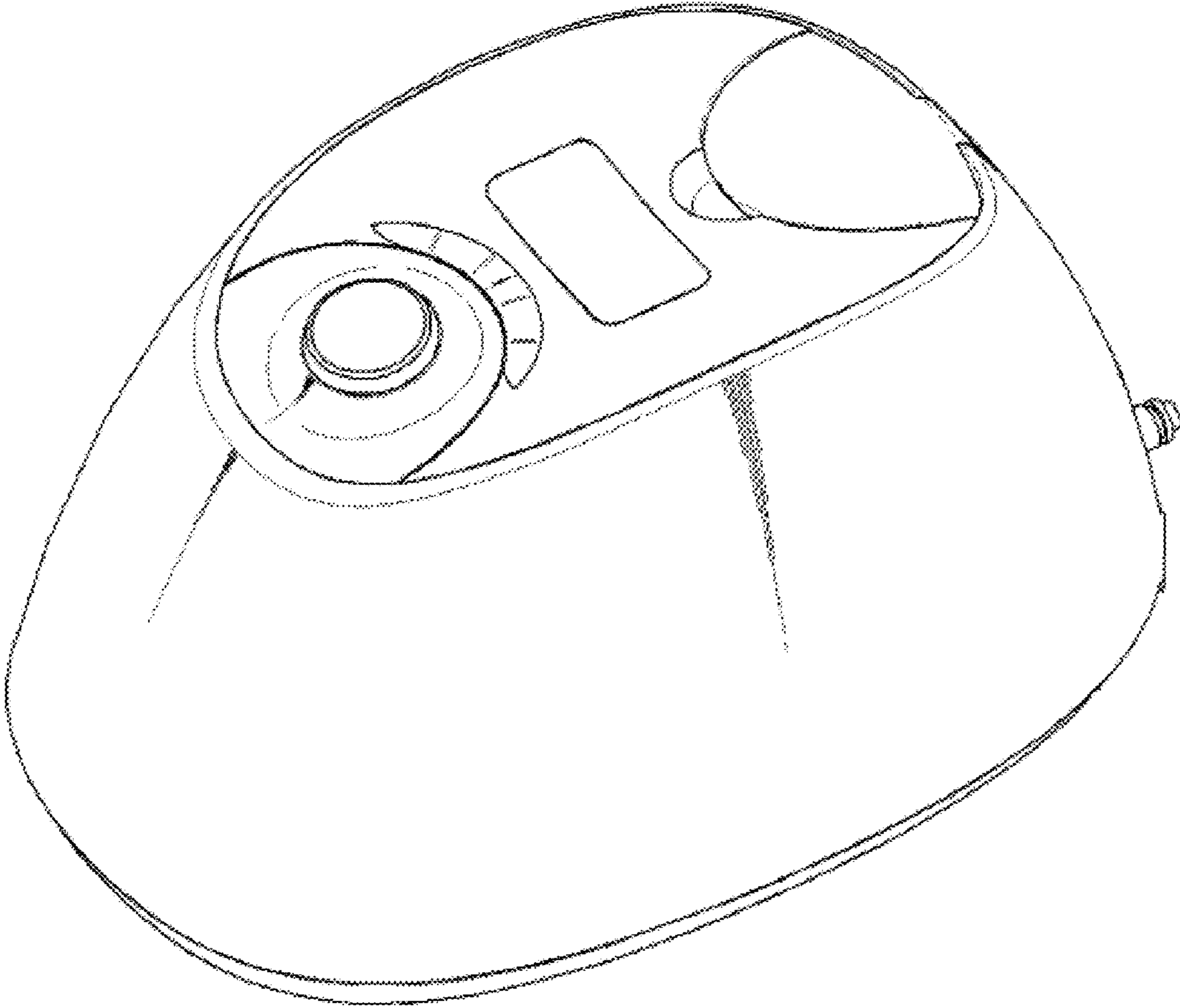


FIG. 2

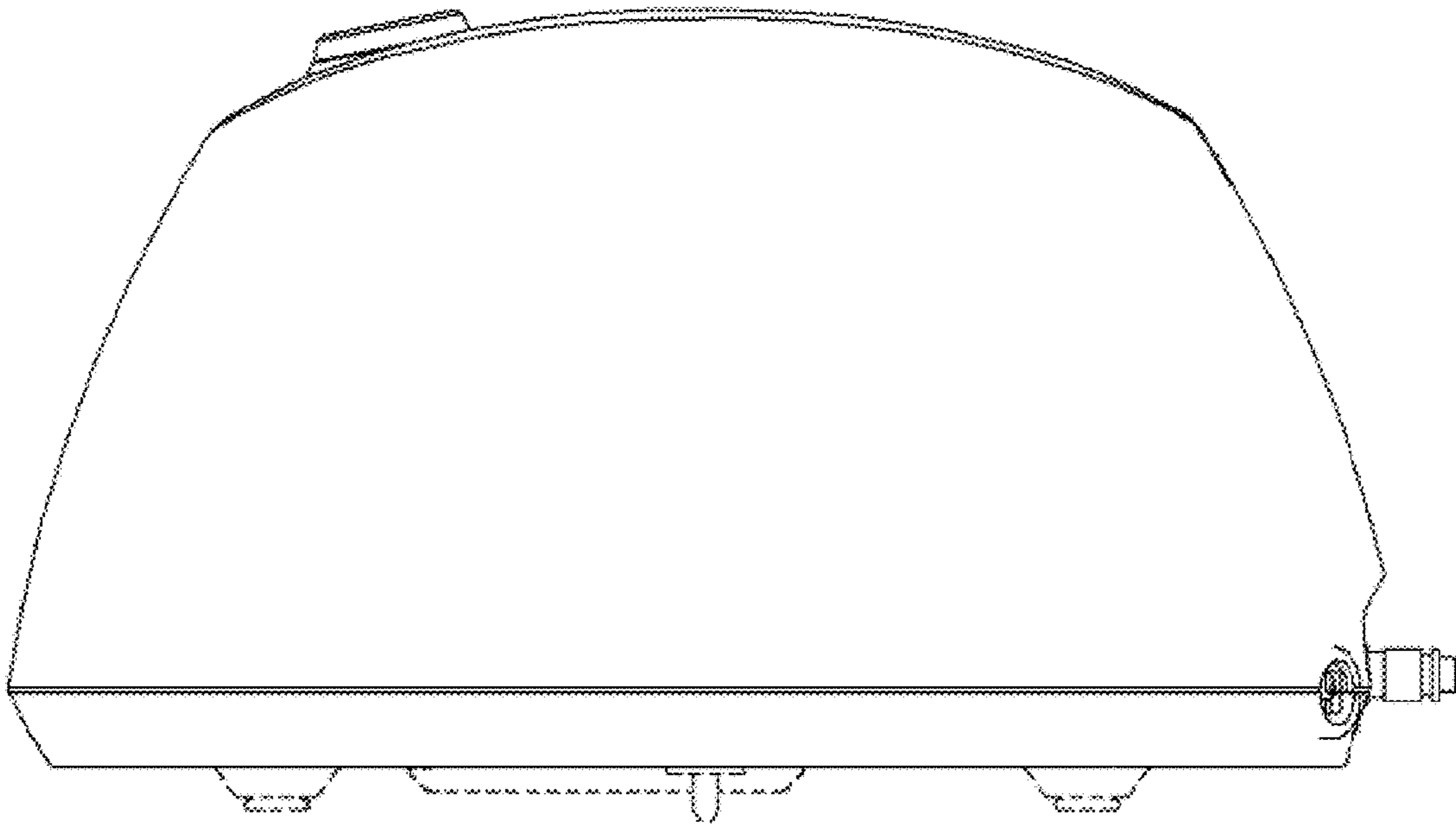


FIG. 3

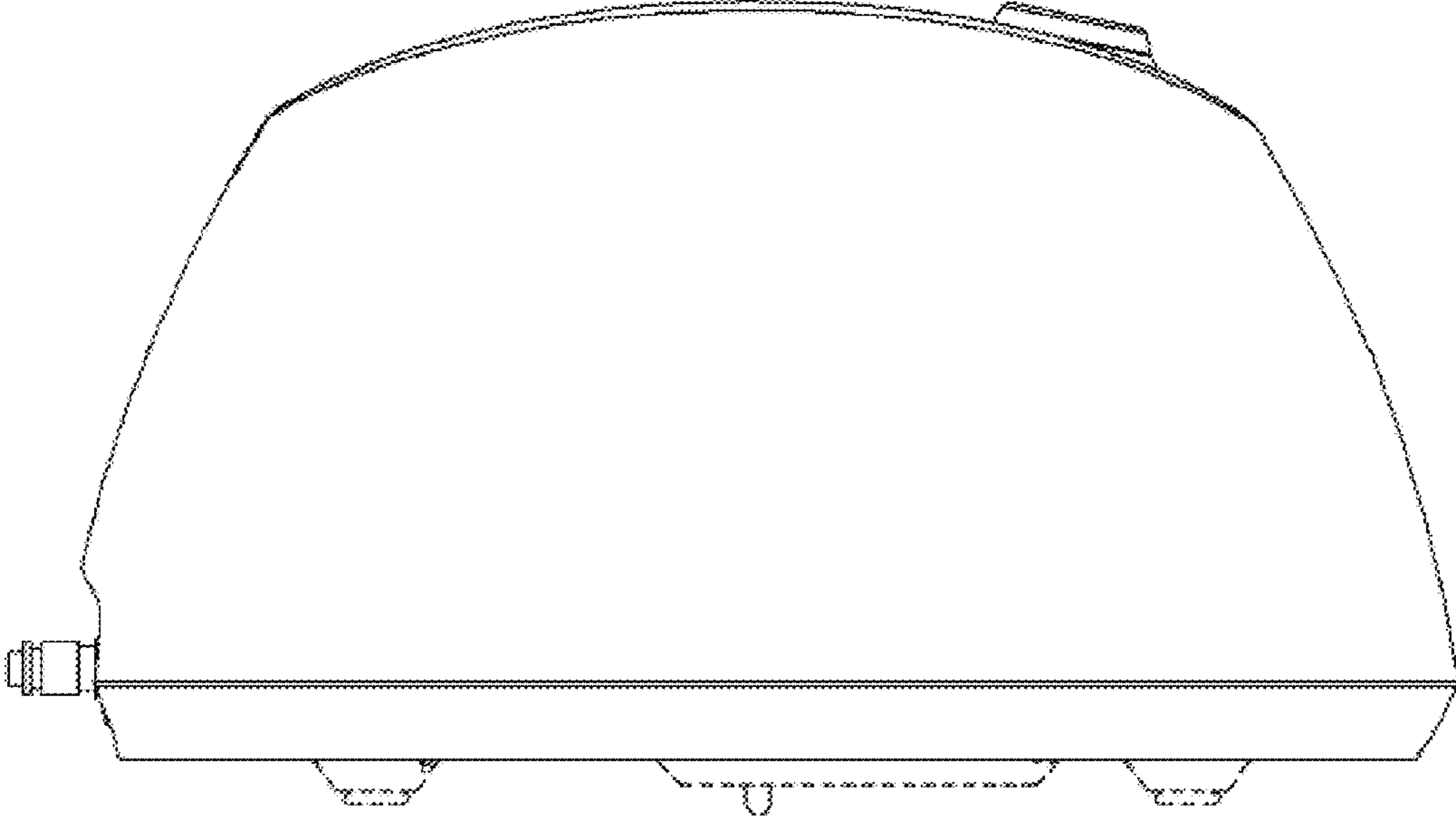


FIG. 4

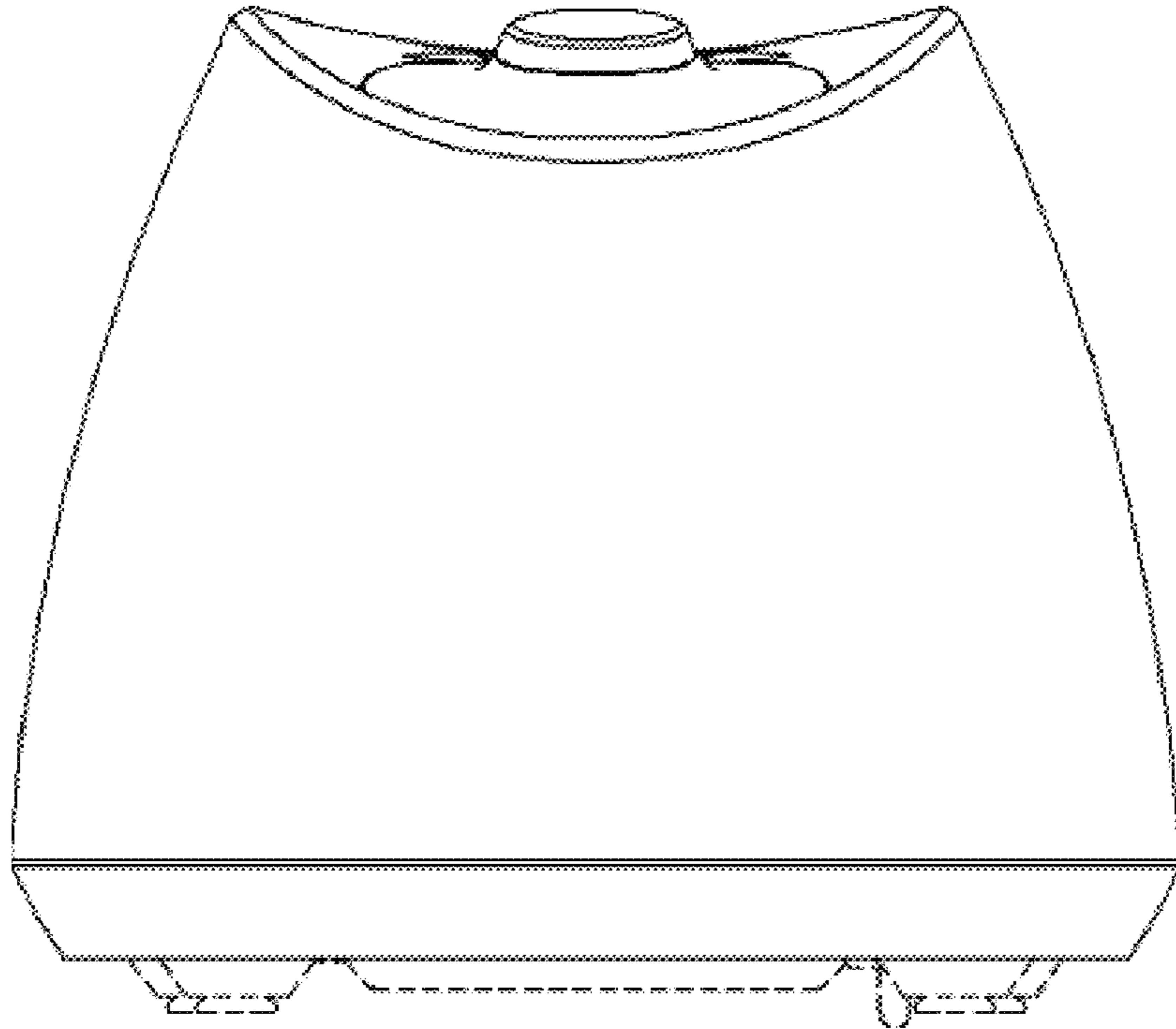


FIG. 5

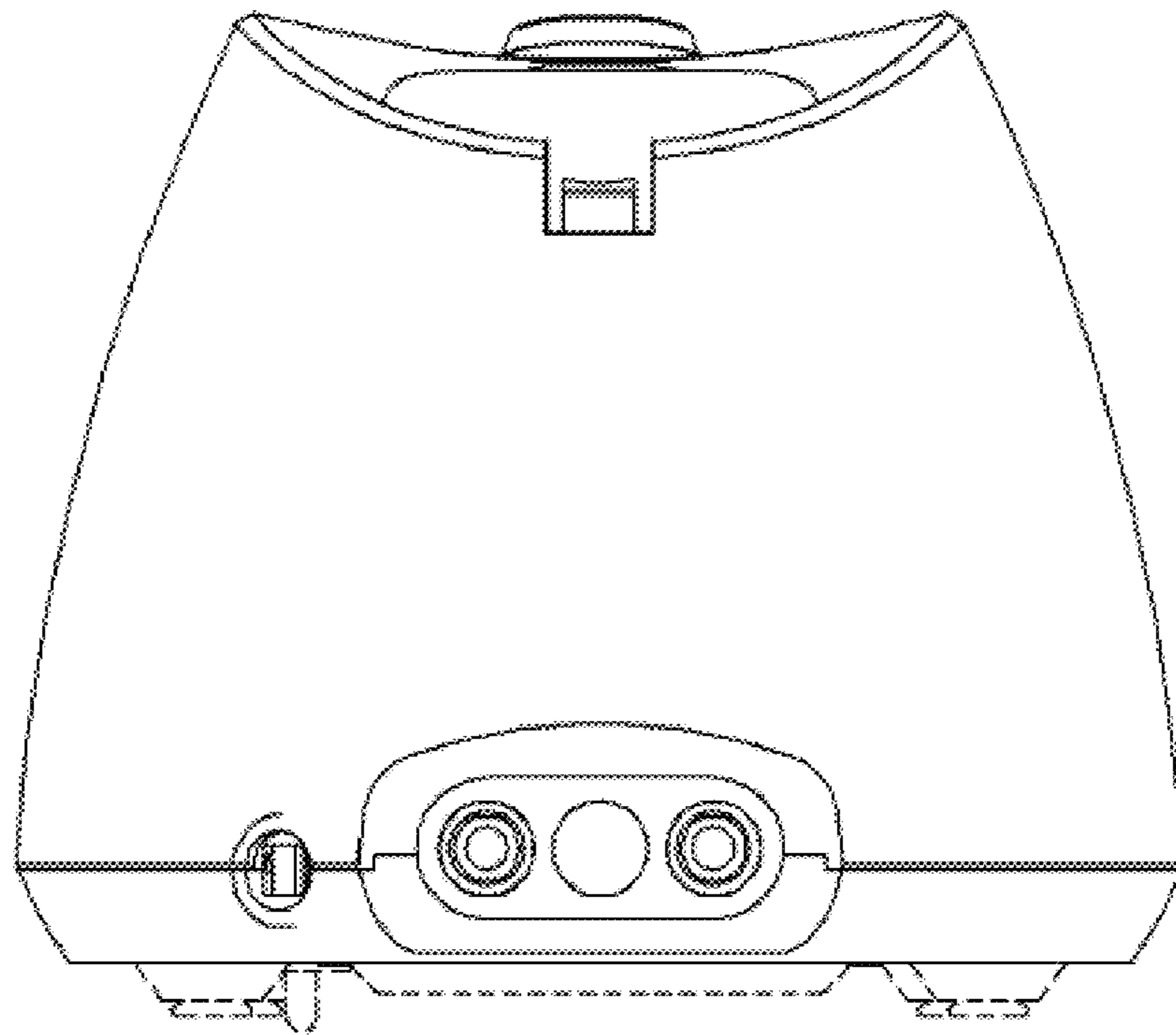


FIG. 6

