



US00D788274S

(12) **United States Design Patent**  
**Portilla**

(10) **Patent No.:** **US D788,274 S**

(45) **Date of Patent:** **\*\* May 30, 2017**

(54) **GRIPPING COVER FOR GRAB BAR**

(71) Applicant: **Maria Portilla**, Coral Springs, FL (US)

(72) Inventor: **Maria Portilla**, Coral Springs, FL (US)

(\*\*) Term: **15 Years**

(21) Appl. No.: **29/577,295**

(22) Filed: **Sep. 12, 2016**

**Related U.S. Application Data**

(62) Division of application No. 29/523,104, filed on Apr. 7, 2015, now Pat. No. Des. 766,407, which is a division of application No. 29/501,079, filed on Sep. 1, 2014, now Pat. No. Des. 726,891, which is a division of application No. 29/483,390, filed on Feb. 27, 2014, now Pat. No. Des. 712,526, which is a division of application No. 29/465,860, filed on Sep. 2, 2013, now Pat. No. Des. 700,688.

(51) **LOC (10) Cl.** ..... **23-02**

(52) **U.S. Cl.**  
USPC ..... **D23/304**

(58) **Field of Classification Search**  
USPC ..... D23/275, 280.2, 303-305; D21/617;  
D6/548-549; D8/303, 305, 315-316  
CPC ..... A47K 3/003; A47K 17/022  
See application file for complete search history.

(56) **References Cited**

**U.S. PATENT DOCUMENTS**

D52,151 S *	7/1918	Stean	.....	D21/657
2,269,420 A *	1/1942	Anderson	.....	A47K 3/003
				4/577.1
D293,011 S *	12/1987	Wolfe	.....	D21/618
D316,434 S *	4/1991	Stephensen	.....	D21/618
D371,808 S *	7/1996	Gilbert	.....	D21/300
6,131,213 A *	10/2000	Sarff	.....	A47K 17/024
				211/105.1

D442,845 S *	5/2001	Iacovelli	.....	D21/657
D536,597 S *	2/2007	Berlovan	.....	D8/315
D551,504 S *	9/2007	Eubank	.....	D7/516
D586,199 S *	2/2009	Gifford	.....	D8/315
D627,605 S *	11/2010	Eubank	.....	D7/516
D630,768 S *	1/2011	Witiak	.....	D25/41.1
D637,700 S *	5/2011	Antoniello	.....	D23/304
D688,357 S *	8/2013	Portilla	.....	D23/304
D689,172 S *	9/2013	Portilla	.....	D23/304
D698,907 S *	2/2014	Portilla	.....	D23/304
D700,687 S *	3/2014	Portilla	.....	D23/304
D700,688 S *	3/2014	Portilla	.....	D23/304
D709,600 S *	7/2014	Portilla	.....	D23/304
D712,526 S *	9/2014	Portilla	.....	D23/304
D712,527 S *	9/2014	Portilla	.....	D23/304
D726,891 S *	4/2015	Portilla	.....	D23/304
D727,483 S *	4/2015	Portilla	.....	D23/304
D766,407 S *	9/2016	Portilla	.....	D23/304
D767,106 S *	9/2016	Portilla	.....	D23/304

\* cited by examiner

*Primary Examiner* — Robert Delehanty

(74) *Attorney, Agent, or Firm* — Nancy J. Flint, Esq.;  
Nancy J. Flint, Attorney At Law, P.A.

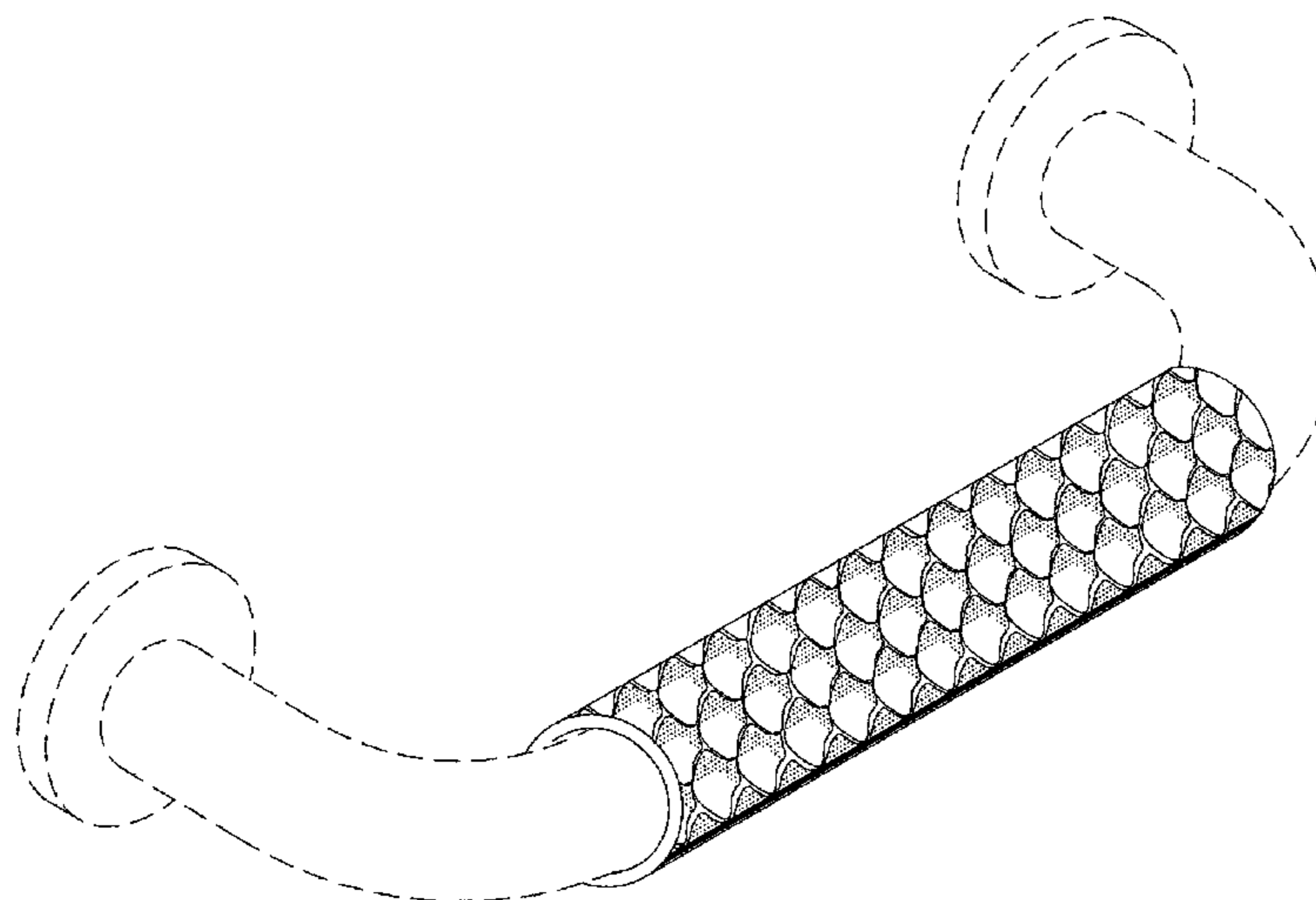
(57) **CLAIM**

The ornamental design for a gripping cover for grab bar, as shown and described.

**DESCRIPTION**

FIG. 1 is a front perspective view of a gripping cover for grab bar showing my new design;  
FIG. 2 is a top view of a gripping cover for grab bar;  
FIG. 3 is a front view of a gripping cover for grab bar;  
FIG. 4 is a right side view of a gripping cover for grab bar;  
and,  
FIG. 5 is a bottom view of a gripping cover for grab bar.  
Left side views not shown are mirror images of right side views. Any broken lines illustrative of environmental structure in the drawings are not part of the design sought to be patented.

**1 Claim, 2 Drawing Sheets**



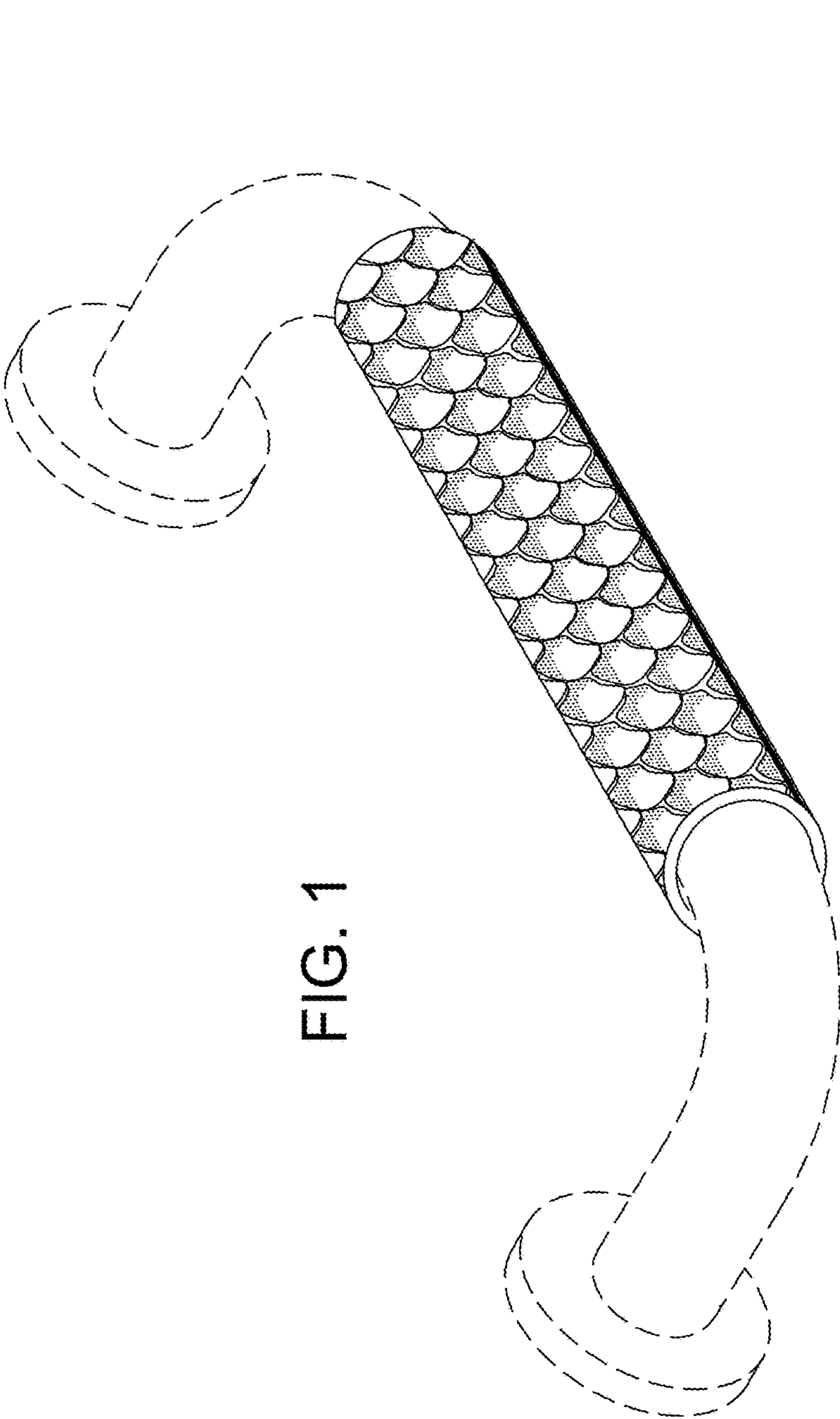


FIG. 1

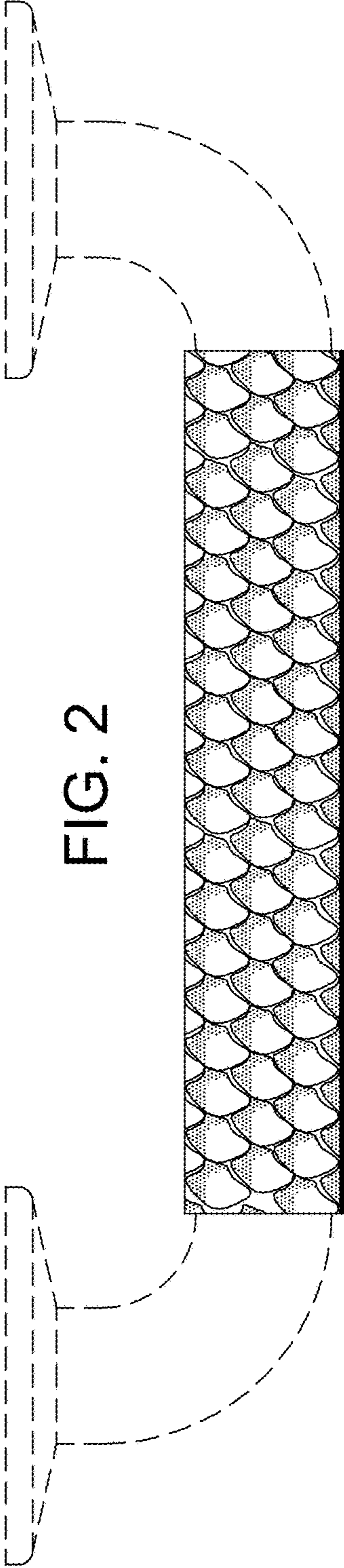


FIG. 2



FIG. 3

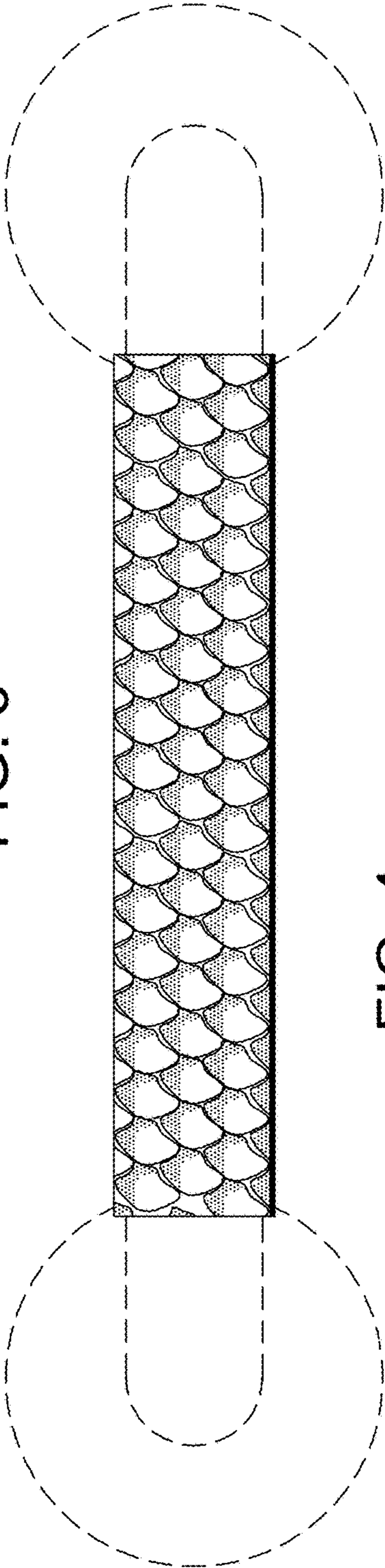


FIG. 4

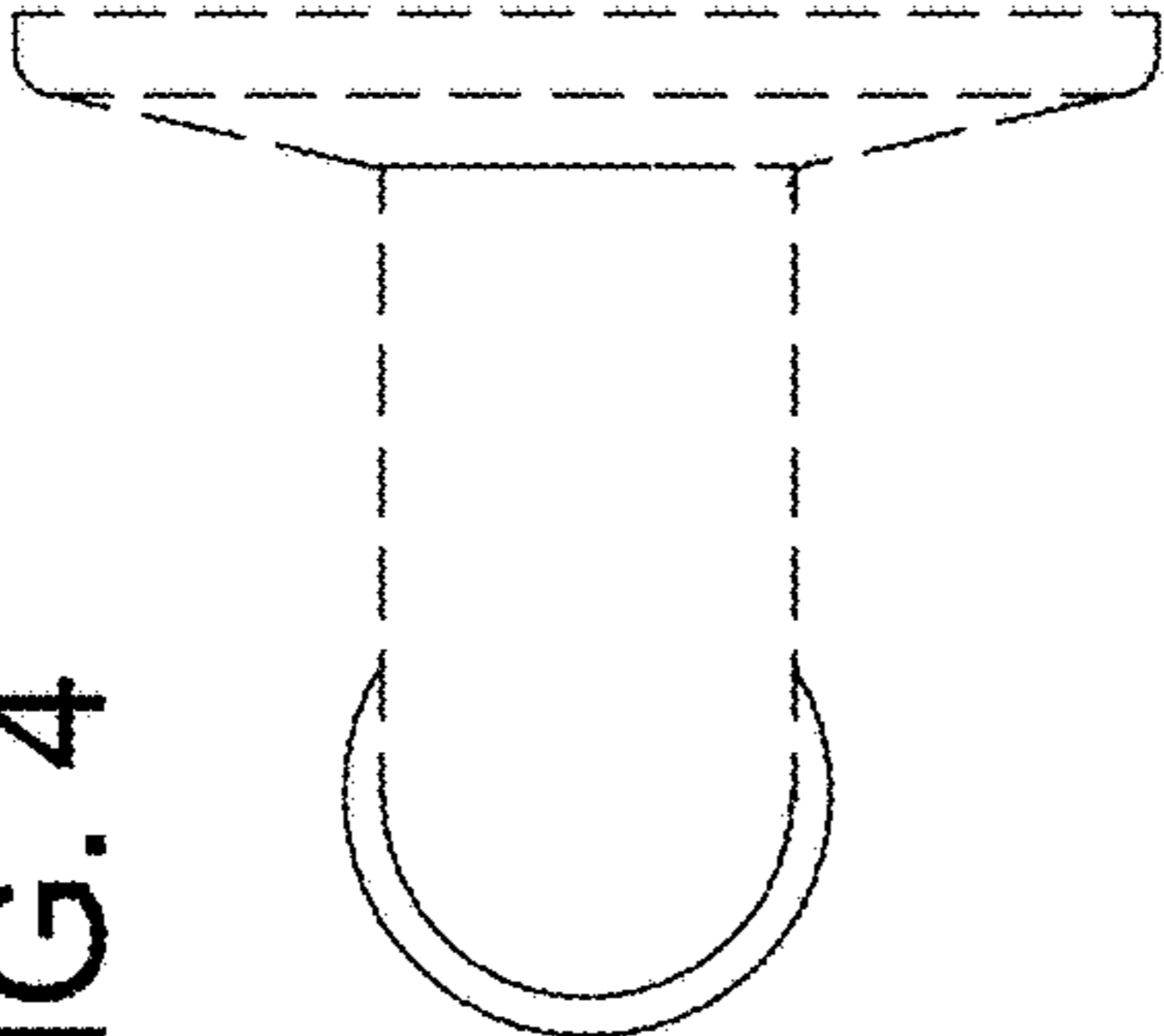


FIG. 5

