



US00D788273S

(12) **United States Design Patent** (10) **Patent No.:** **US D788,273 S**
Schoenherr et al. (45) **Date of Patent:** **** May 30, 2017**

(54) **WASH BASIN**
 (71) Applicant: **HANSGROHE SE**, Schiltach (DE)
 (72) Inventors: **Tom Schoenherr**, Stuttgart (DE);
Andreas Diefenbach,
 Ludwigsburg-Oßweil (DE); **Yunwei**
Zhu, Stuttgart (DE)
 (73) Assignee: **Hansgrohe SE**, Schiltach (DE)
 (**) Term: **15 Years**
 (21) Appl. No.: **29/559,981**
 (22) Filed: **Apr. 1, 2016**

(30) **Foreign Application Priority Data**
 Oct. 6, 2015 (EM) 002811992
 (51) **LOC (10) Cl.** **23-02**
 (52) **U.S. Cl.**
 USPC **D23/290**
 (58) **Field of Classification Search**
 USPC D23/284, 293.1, 287-292, 303, 308;
 D9/425
 CPC A47K 1/04; A47B 77/06; A47J 47/20
 See application file for complete search history.

(56) **References Cited**
 U.S. PATENT DOCUMENTS
 D527,808 S * 9/2006 Wozniczka D23/290
 D547,837 S * 7/2007 Ziemann D23/290

D627,448 S * 11/2010 Kehrer D23/290
 D669,562 S * 10/2012 Booth D23/290
 D707,802 S * 6/2014 Jepson D23/290
 D708,307 S * 7/2014 Kurth D23/290
 2009/0094741 A1* 4/2009 Valadez E03C 1/186
 4/658
 2015/0230667 A1* 8/2015 Palazzolo E03C 1/186
 4/654

* cited by examiner
Primary Examiner — Robert M Spear
Assistant Examiner — John Voytek
 (74) *Attorney, Agent, or Firm* — Lora J. Graentzdoerffer

(57) **CLAIM**
 The ornamental design for a wash basin, as shown and described.

DESCRIPTION
 FIG. 1 is a perspective view of a wash basin showing our design; and,
 FIG. 2 is a top plan view.
 The broken-line disclosure in the view represents a portion of the article which forms no part of the claimed design.

1 Claim, 2 Drawing Sheets

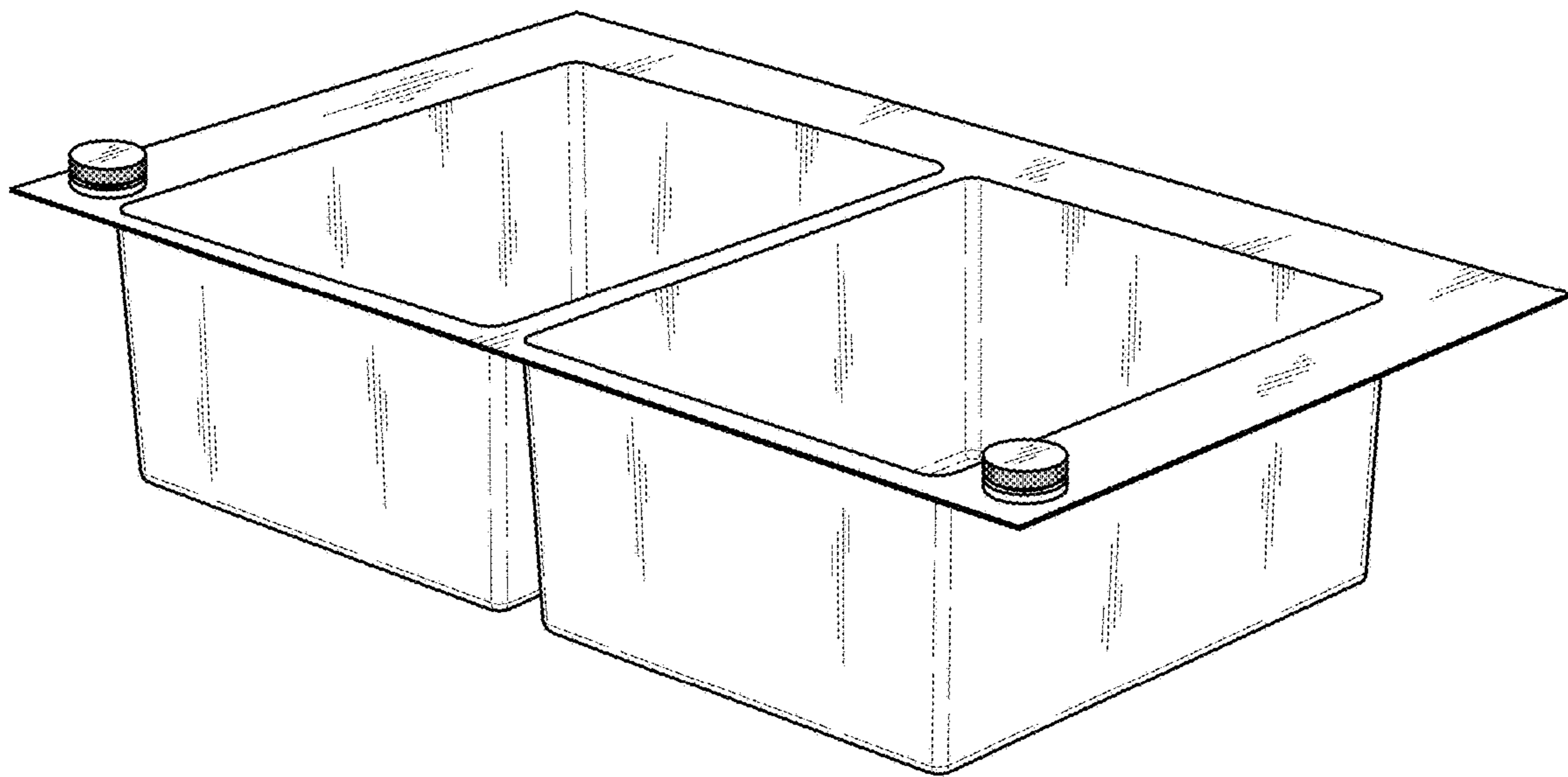


FIG. 1

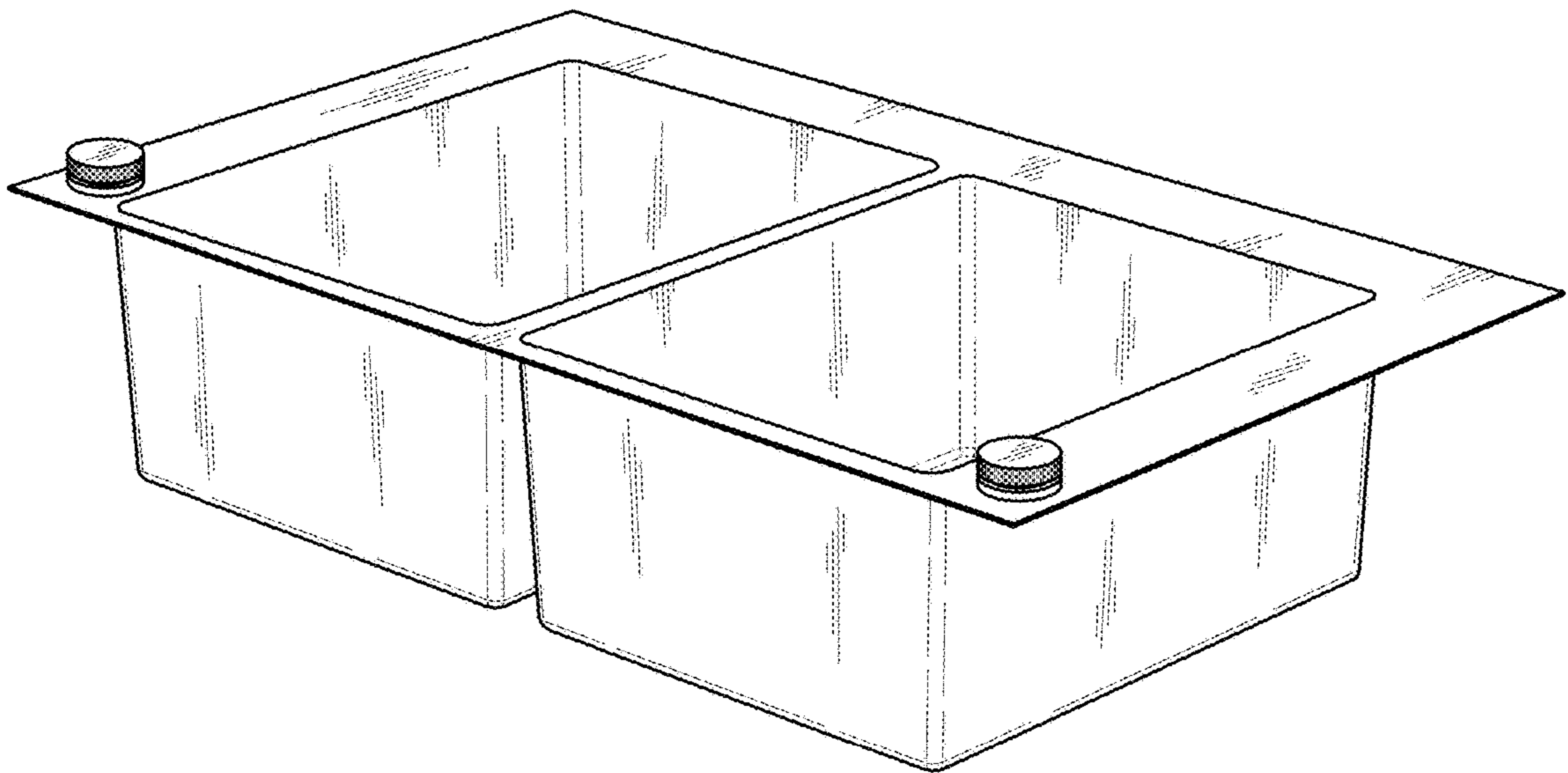


FIG. 2

