



US00D788272S

(12) **United States Design Patent** (10) **Patent No.:** **US D788,272 S**
Salser et al. (45) **Date of Patent:** **** May 30, 2017**

(54) **METER ADAPTER**

(71) Applicant: **OW Investors**, Ocala, FL (US)

(72) Inventors: **Floyd Stanley Salser**, Ocala, FL (US);
Michael Louis Mastic, Ocala (FL);
David Bellamy Corey, Tampa, FL
(US); **Sedeek Rahman**, Ocala, FL (US)

(**) Term: **15 Years**

(21) Appl. No.: **29/559,780**

(22) Filed: **Mar. 31, 2016**

Related U.S. Application Data

(63) Continuation-in-part of application No. 29/526,717, filed on May 13, 2015, now Pat. No. Des. 767,104, and a continuation-in-part of application No. 14/253,824, filed on Apr. 15, 2014, which is a continuation-in-part of application No. 29/480,517, filed on Jan. 27, 2014, now Pat. No. Des. 755,939, application No. 29/559,780, which is a continuation-in-part of application No. 29/480,517, filed on Jan. 27, 2014, now Pat. No. Des. 755,939.

(51) **LOC (10) Cl.** **23-01**

(52) **U.S. Cl.**
USPC **D23/262**; D23/265

(58) **Field of Classification Search**
USPC D23/262, 265
CPC G01F 25/0007; G01F 15/185; F16L 19/06;
F16L 19/0212; F16L 55/134; F16L 27/12;
F16L 25/12; F16L 41/16; F16K 7/10;
F16K 43/00; B05B 15/068; B05B 15/10;
E03B 7/072; E03B 7/09; Y10S 285/906

See application file for complete search history.

(56) **References Cited**

U.S. PATENT DOCUMENTS

2,058,735	A *	10/1936	Stallard	F16L 19/06 285/148.19
7,421,908	B2 *	9/2008	Jarrell	G01F 1/58 73/861.12
D710,485	S *	8/2014	Nudo	D23/262
9,038,258	B2 *	5/2015	Liao	F16L 19/06 29/447
9,103,706	B2 *	8/2015	Ueda	G01F 1/6842
9,174,227	B2 *	11/2015	Robertson	B05B 1/267
9,205,445	B2 *	12/2015	Fang	B05B 17/0607

* cited by examiner

Primary Examiner — Antoine D Davis

(74) *Attorney, Agent, or Firm* — Monty Simmons;
Simmons Patents

(57) **CLAIM**

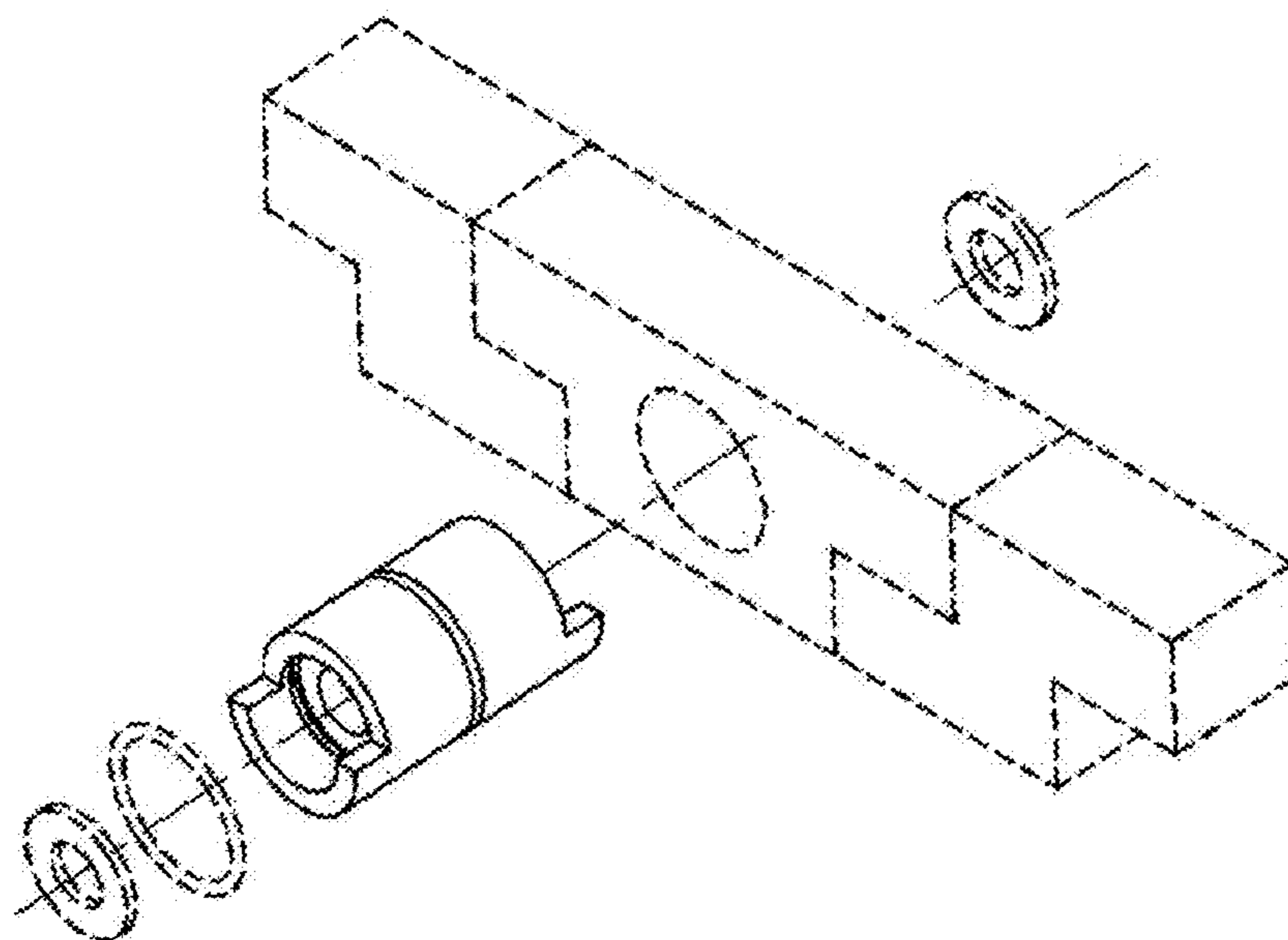
The ornamental design for a meter adapter, as shown and described.

DESCRIPTION

FIG. 1 is an elevated perspective view thereof showing exemplary environment;
FIG. 2 is an elevated perspective view thereof;
FIG. 3 is a top plan view thereof;
FIG. 4 is a bottom plan view thereof;
FIG. 5 is a left side elevational view thereof;
FIG. 6 is a right side elevational view thereof;
FIG. 7 is a front elevational view thereof; and,
FIG. 8 is a back elevational view thereof.

The broken lines represent exemplary environment and are for illustrative purposes only and form no part of the claimed design.

1 Claim, 4 Drawing Sheets



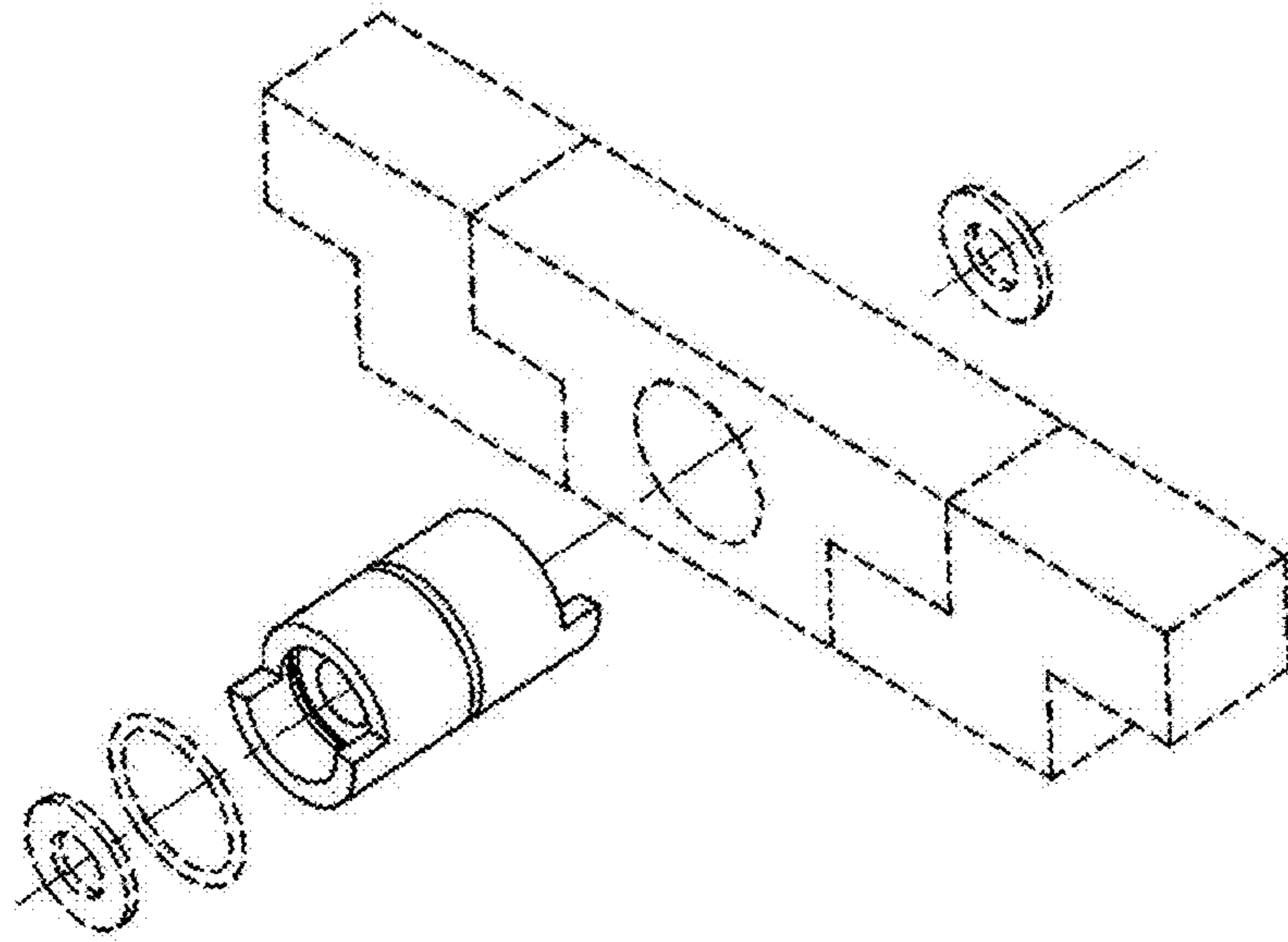


Fig. 1

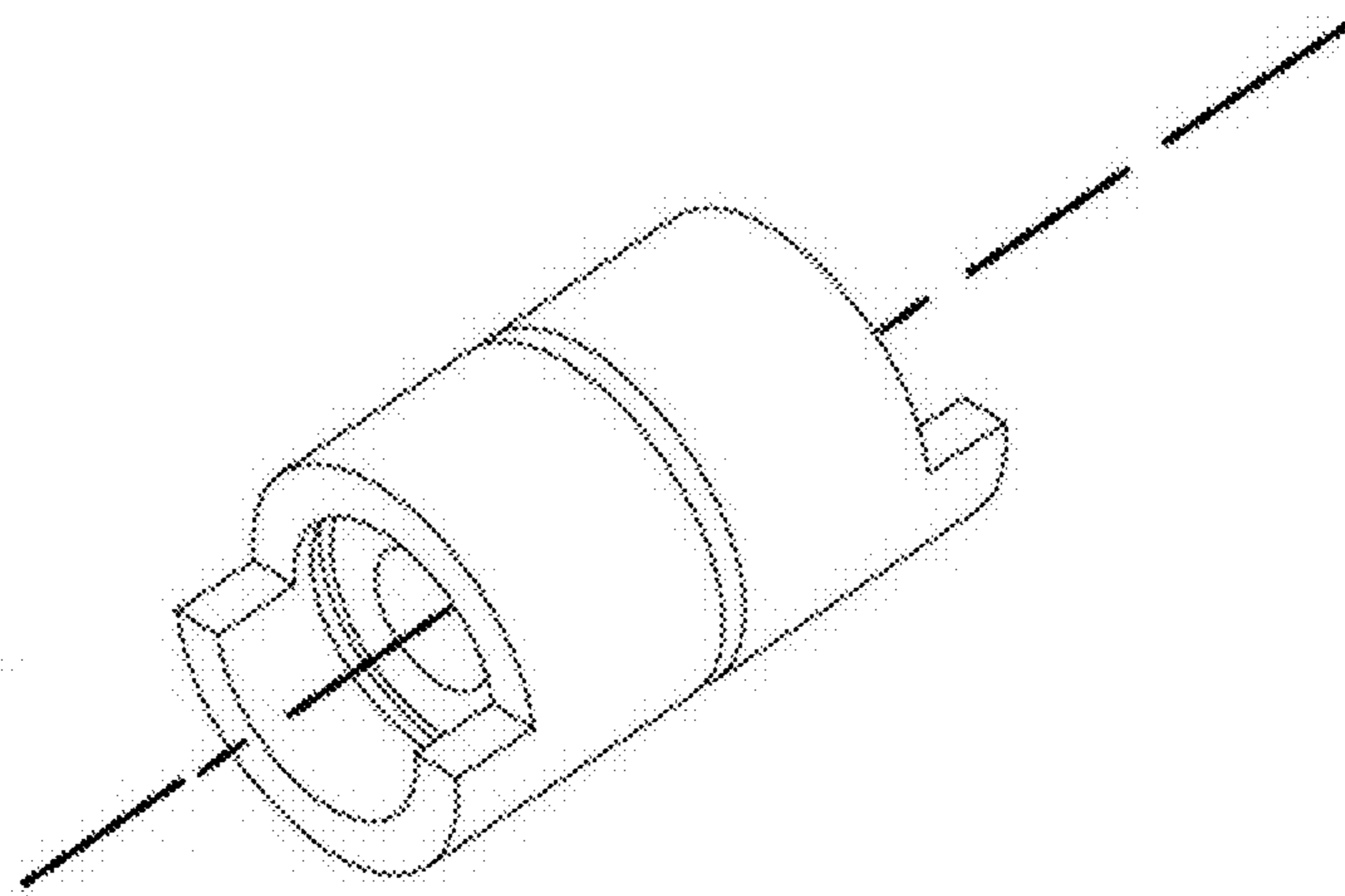


Fig. 2

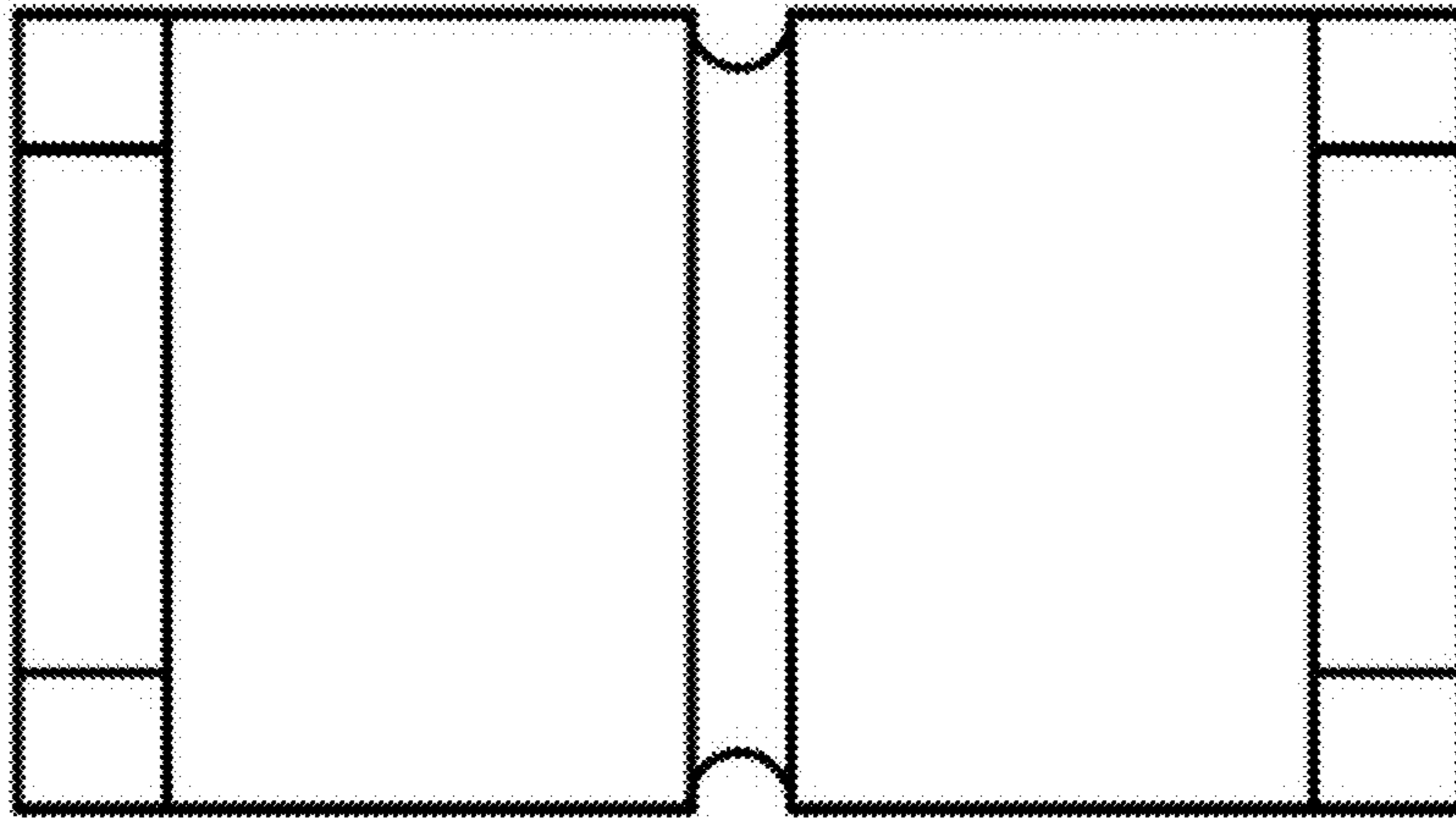


Fig. 3

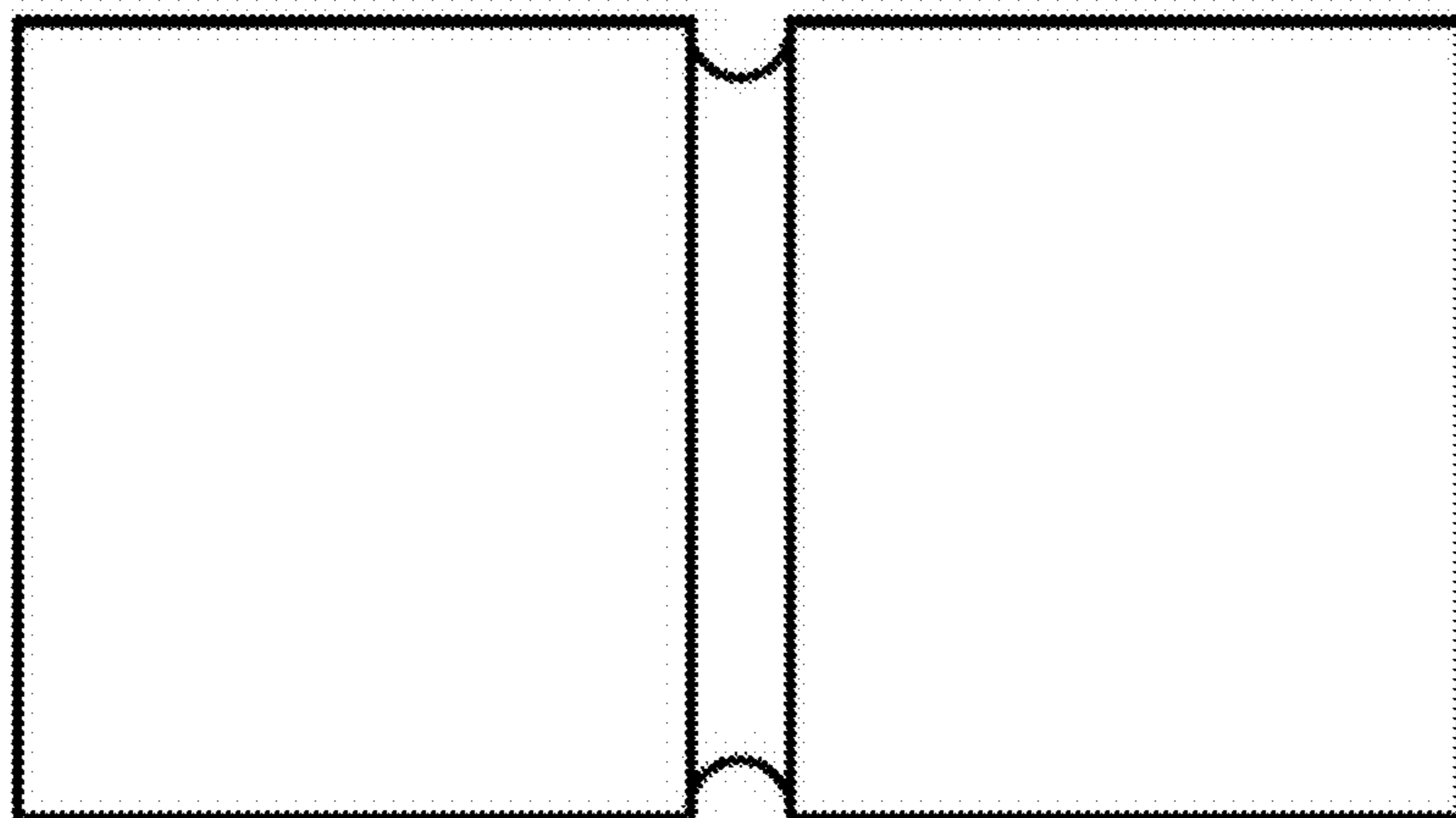


Fig. 4

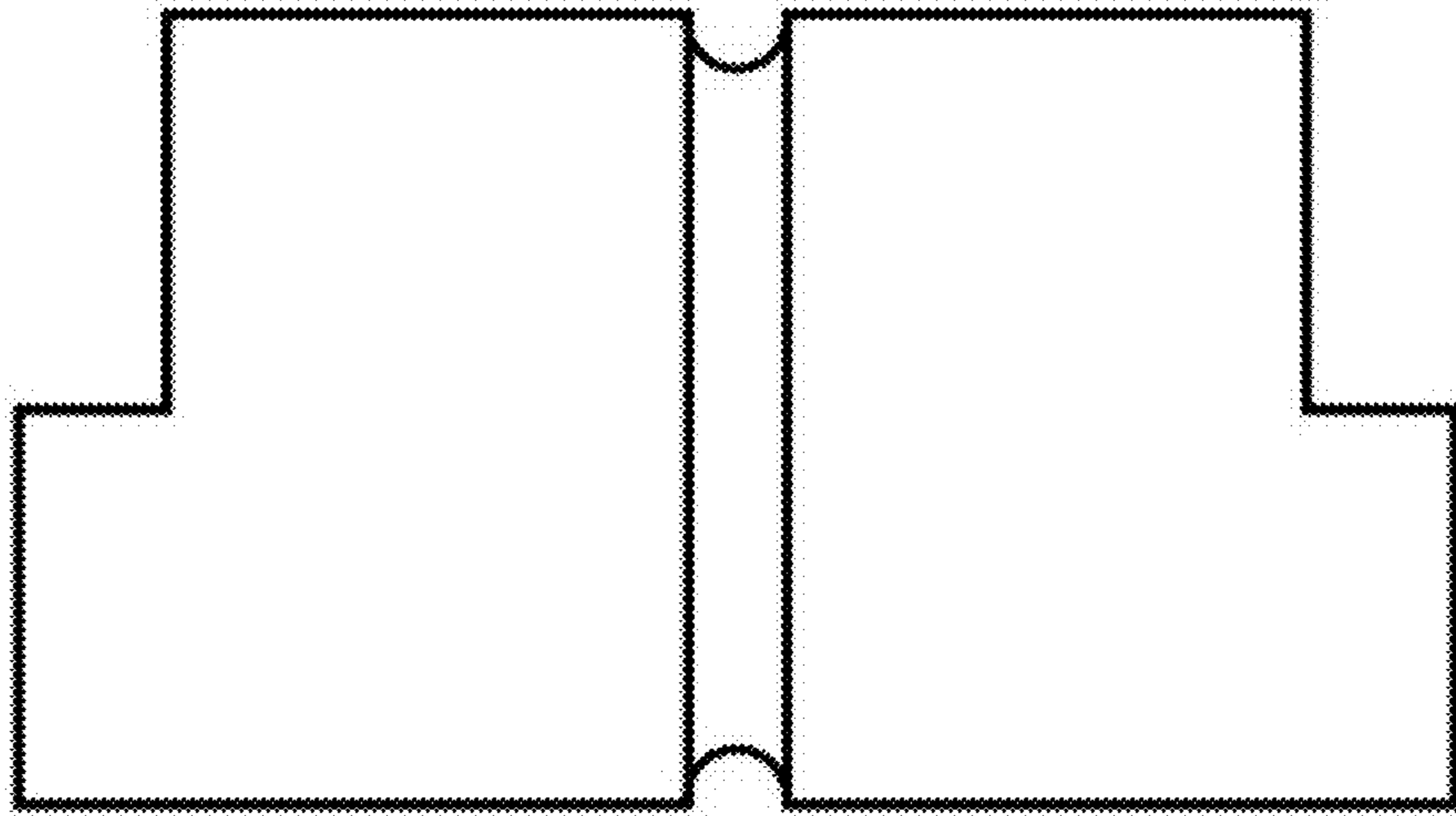


Fig. 5

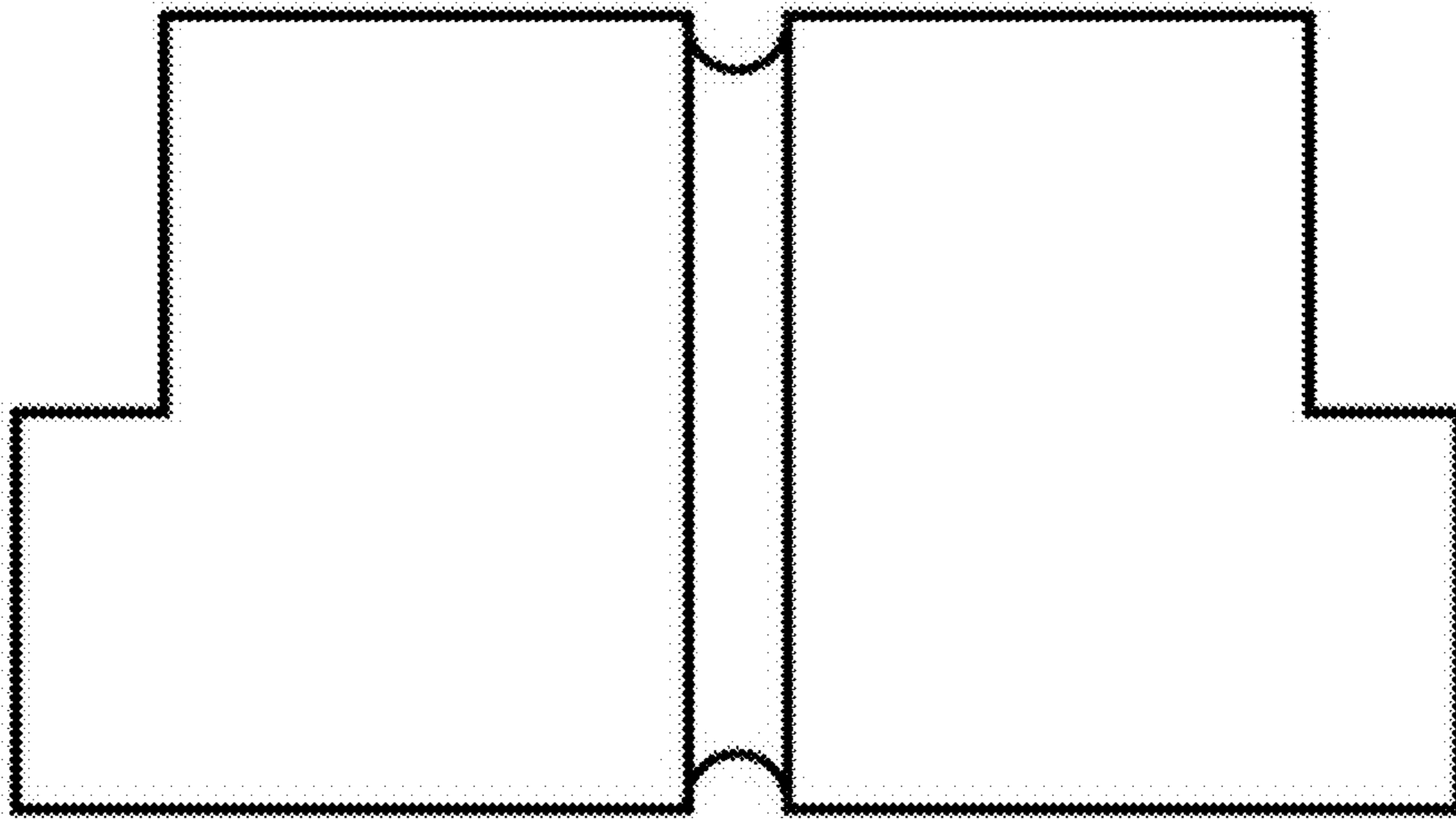


Fig. 6

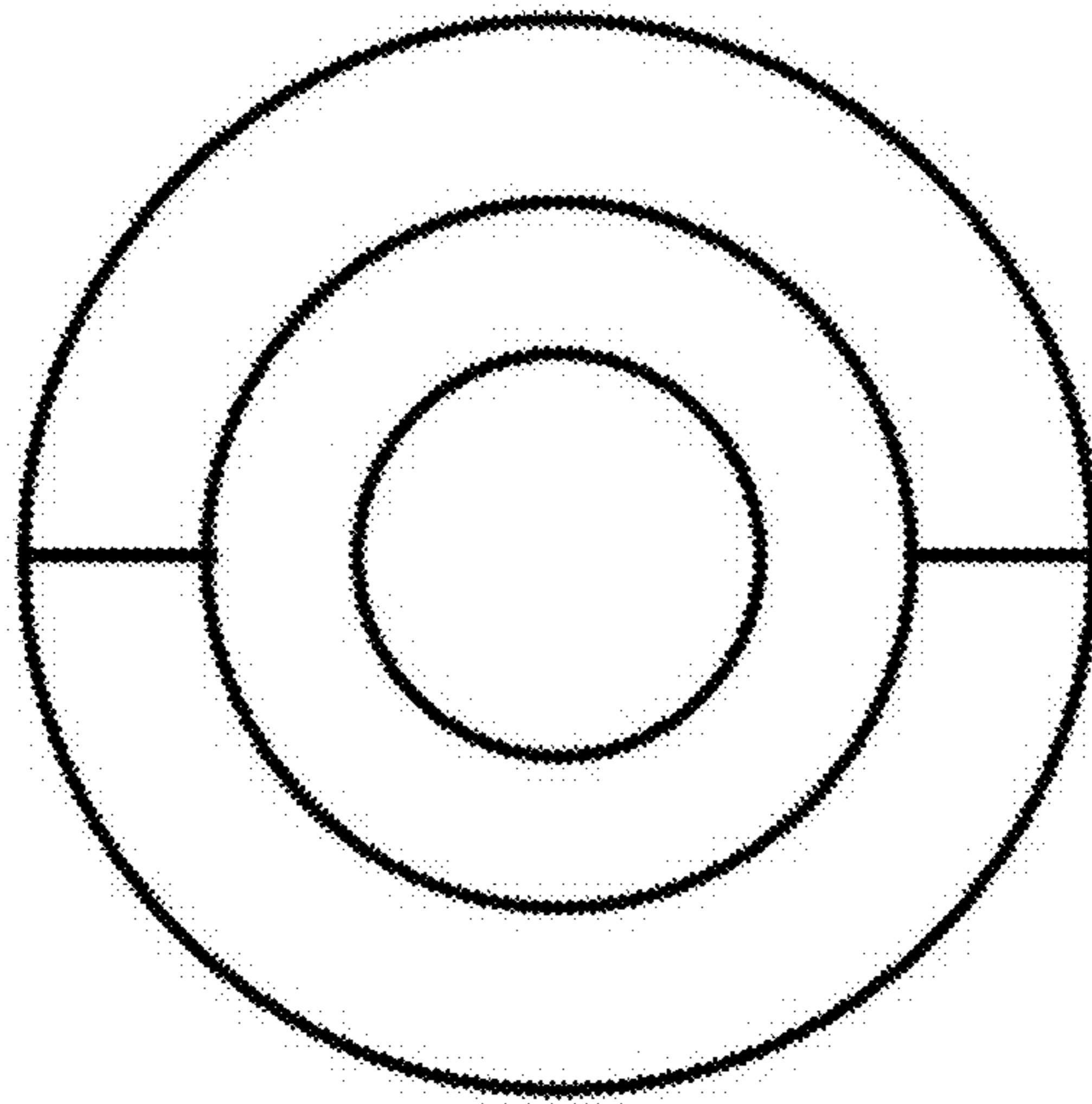


Fig. 7

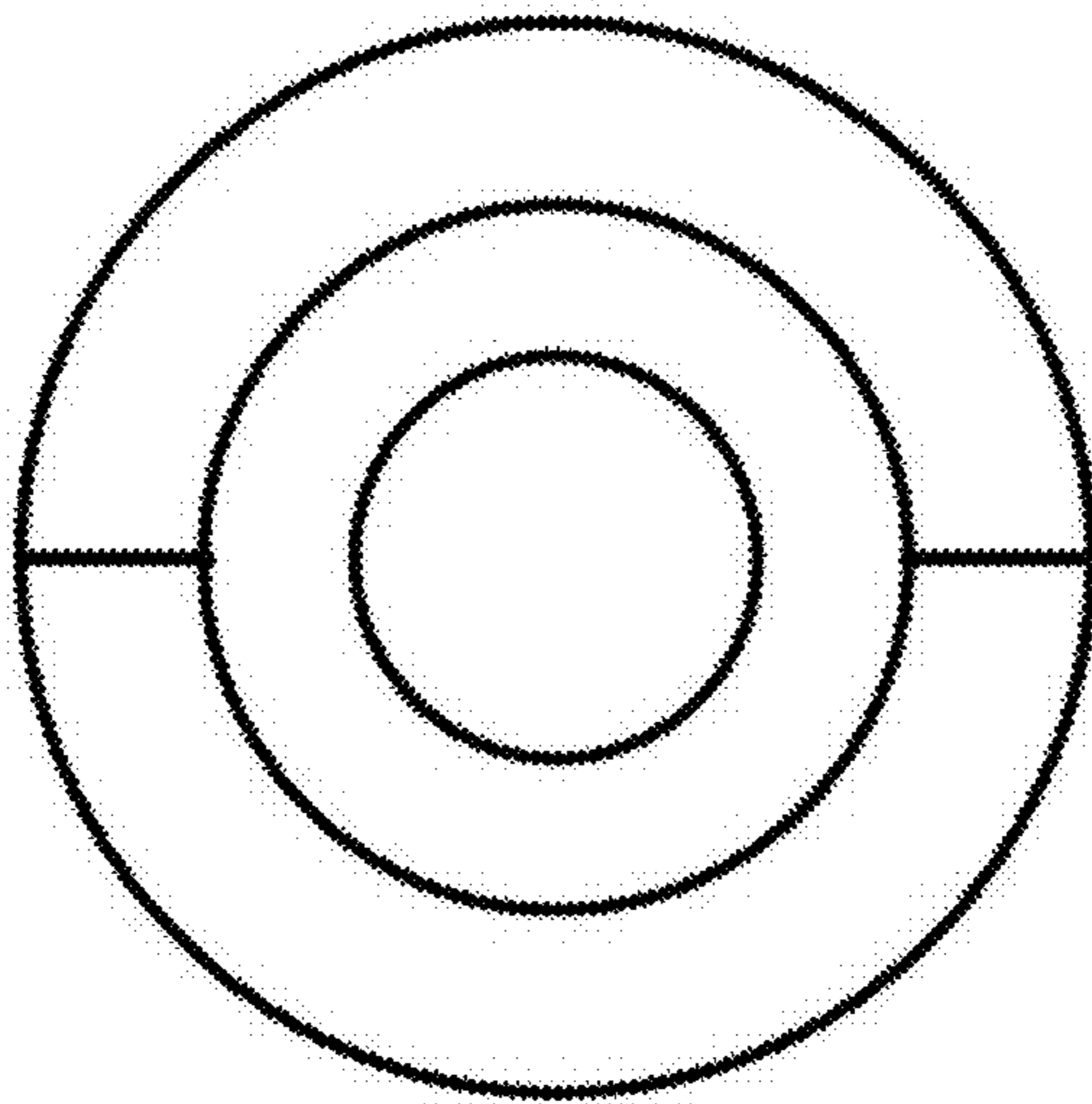


Fig. 8