



US00D788270S

(12) **United States Design Patent**  
**Hong**

(10) **Patent No.:** **US D788,270 S**

(45) **Date of Patent:** **\*\* May 30, 2017**

(54) **FAUCET HANDLE**

(71) Applicant: **Kohler Co.**, Kohler, WI (US)

(72) Inventor: **Zheyang Hong**, Sheboygan, WI (US)

(73) Assignee: **KOHLER CO.**, Kohler, WI (US)

(\*\*) Term: **15 Years**

(21) Appl. No.: **29/584,355**

(22) Filed: **Nov. 14, 2016**

**Related U.S. Application Data**

(62) Division of application No. 29/565,883, filed on May 25, 2016, now Pat. No. Des. 771,778, which is a division of application No. 29/519,942, filed on Mar. 9, 2015, now Pat. No. Des. 767,729.

(51) **LOC (10) Cl.** ..... **23-01**

(52) **U.S. Cl.**  
USPC ..... **D23/252**

(58) **Field of Classification Search**  
USPC ..... D23/238-243, 249-250, 252, 254-255, D23/257  
CPC ..... E03C 1/04; E03C 1/0401; E03C 1/0402; E03C 1/0404; F16K 31/602; F16K 31/605; F16K 31/607  
See application file for complete search history.

(56) **References Cited**

**U.S. PATENT DOCUMENTS**

D325,424 S	4/1992	Dannenberg
D326,139 S	5/1992	Ragonot
D462,421 S	9/2002	Hundley
D550,812 S	9/2007	Haug
D586,881 S	2/2009	Lammel

D586,886 S	2/2009	Schoenherr
D605,261 S	12/2009	Allard
D615,162 S	5/2010	Pan
D628,277 S	11/2010	Montgomery
D636,467 S	4/2011	Schoenherr
D644,303 S	8/2011	Slothower et al.
D652,488 S	1/2012	Slothower et al.
D661,374 S	6/2012	Slothower et al.
D661,782 S	6/2012	Slothower et al.
D667,533 S	9/2012	Lammel
D713,941 S	9/2014	Hundley et al.
D716,418 S	10/2014	Hundley et al.
D719,643 S	12/2014	Sedwick

*Primary Examiner* — Robert Delehanty

(74) *Attorney, Agent, or Firm* — Foley & Lardner LLP

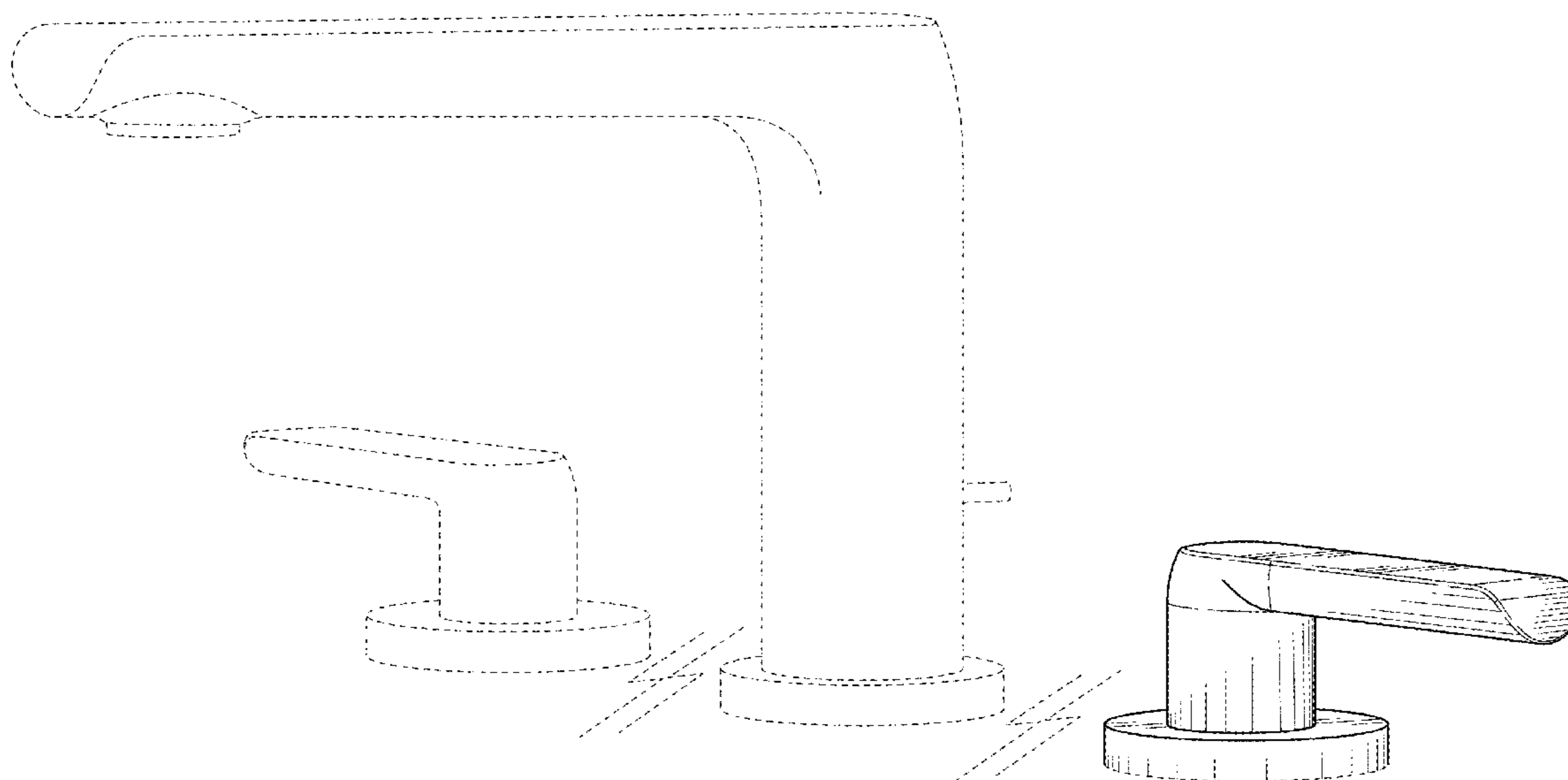
(57) **CLAIM**

I claim the ornamental design for a faucet handle, as shown and described.

**DESCRIPTION**

FIG. 1 is a top, front, right perspective view of an embodiment of the claimed design;  
FIG. 2 is a right side elevation view thereof;  
FIG. 3 is a cross-sectional view, taken along line 3-3 of FIG. 6 thereof;  
FIG. 4 is a front elevation view thereof;  
FIG. 5 is a rear elevation view thereof;  
FIG. 6 is a top plan view thereof; and,  
FIG. 7 is a bottom plan view thereof.  
The ornamental design which is claimed is shown in solid lines in the drawings. The broken lines in the drawings are for illustrative purposes only and form no part of the claimed design. Broken lines formed by equal length dashes show unclaimed subject matter. Broken away symbols having a jagged element show that no particular length of the portion is claimed.

**1 Claim, 6 Drawing Sheets**



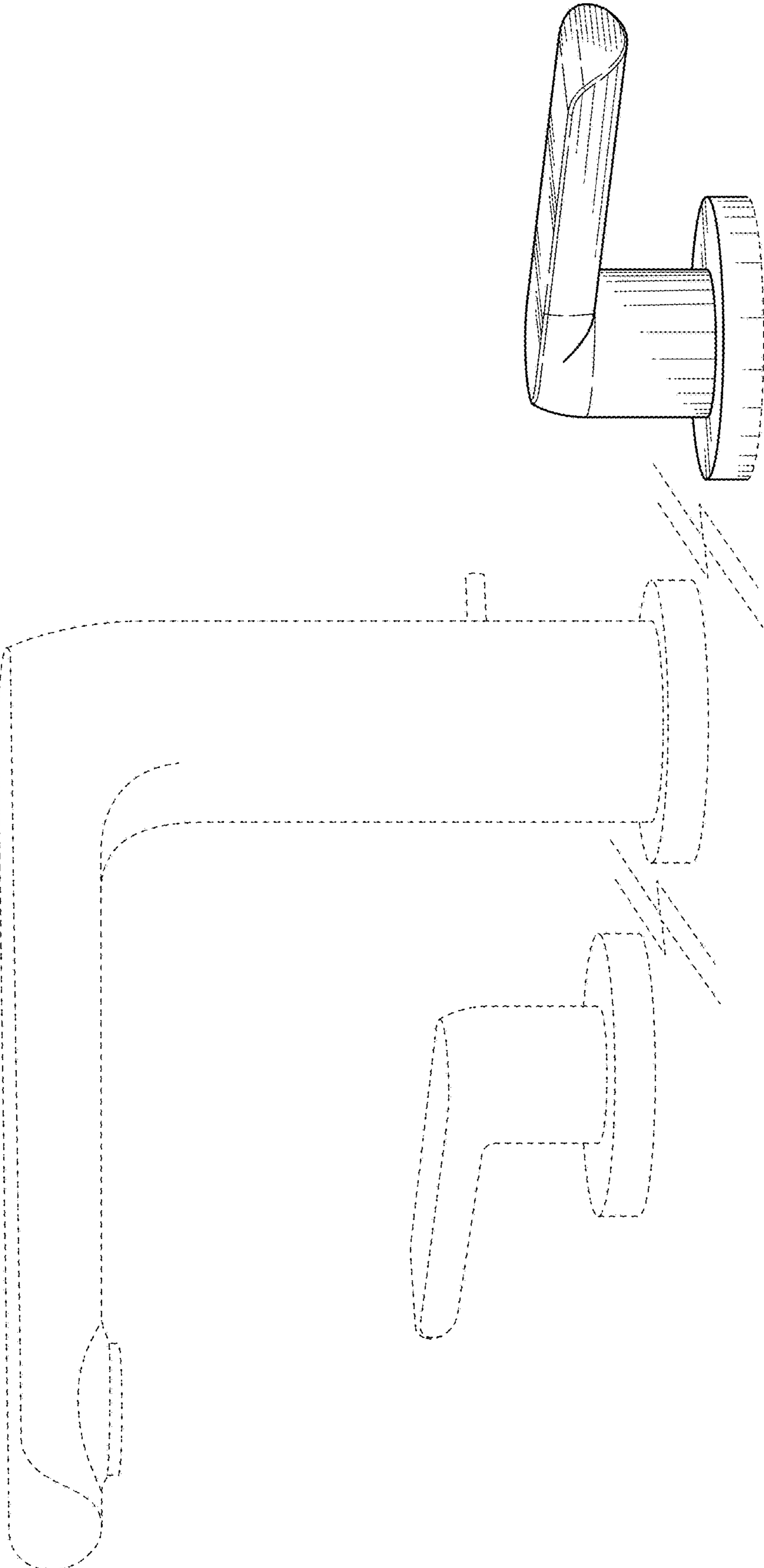


FIG. 1

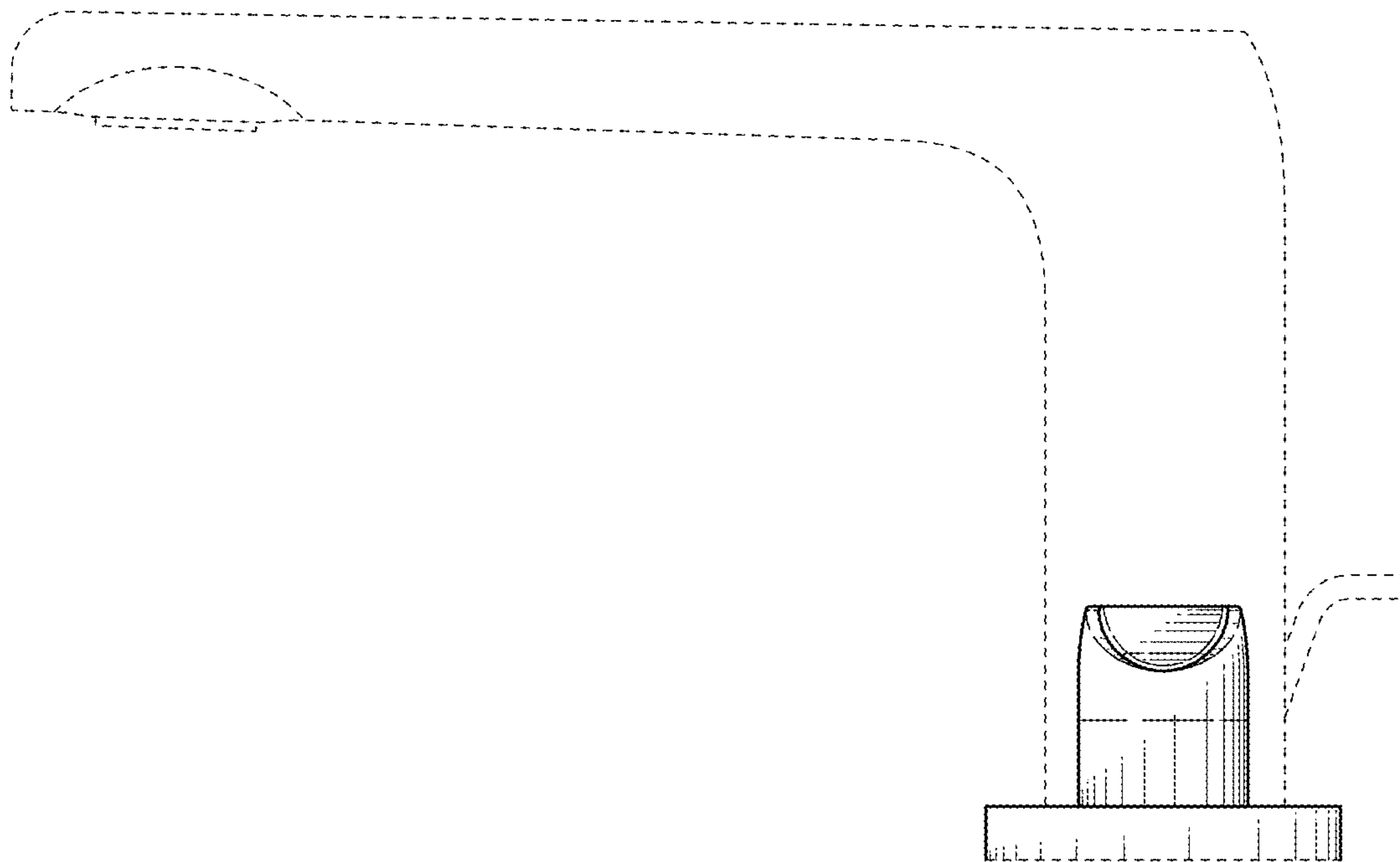


FIG. 2

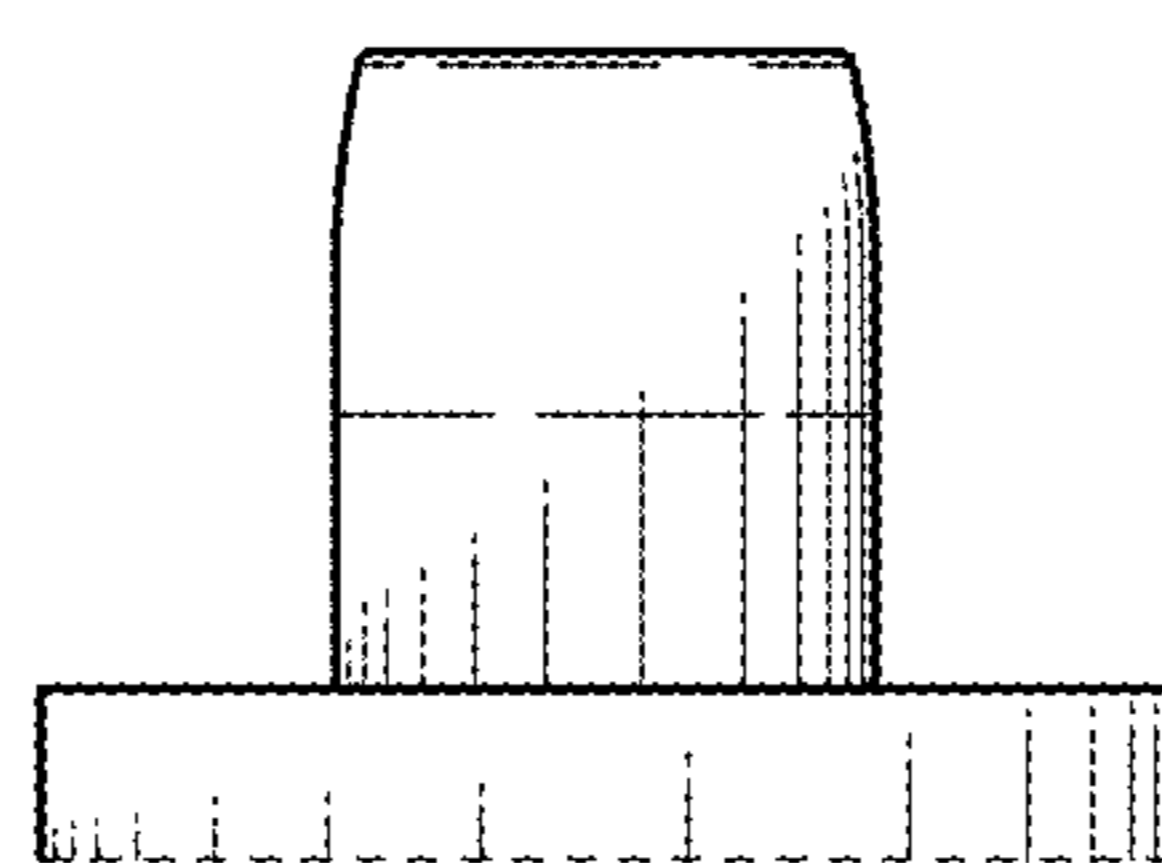


FIG. 3

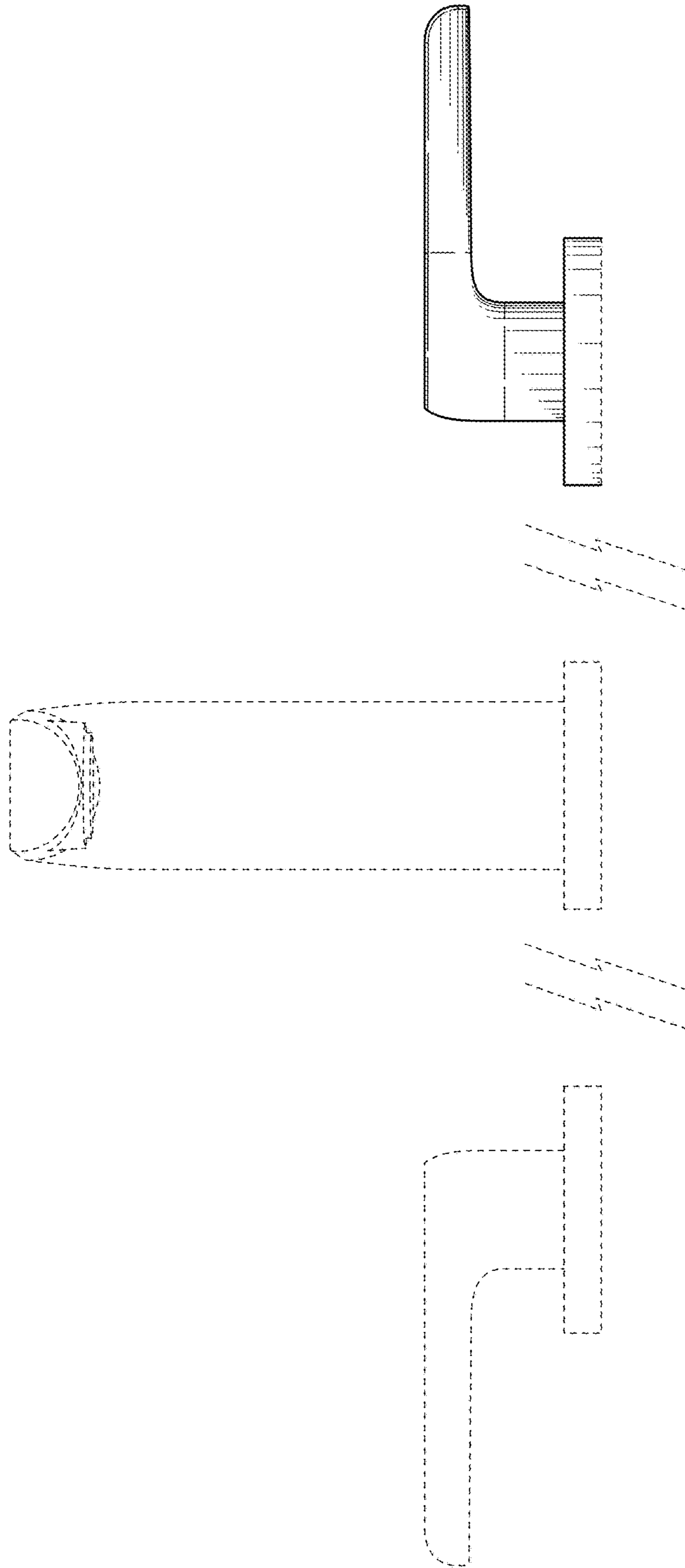


FIG. 4

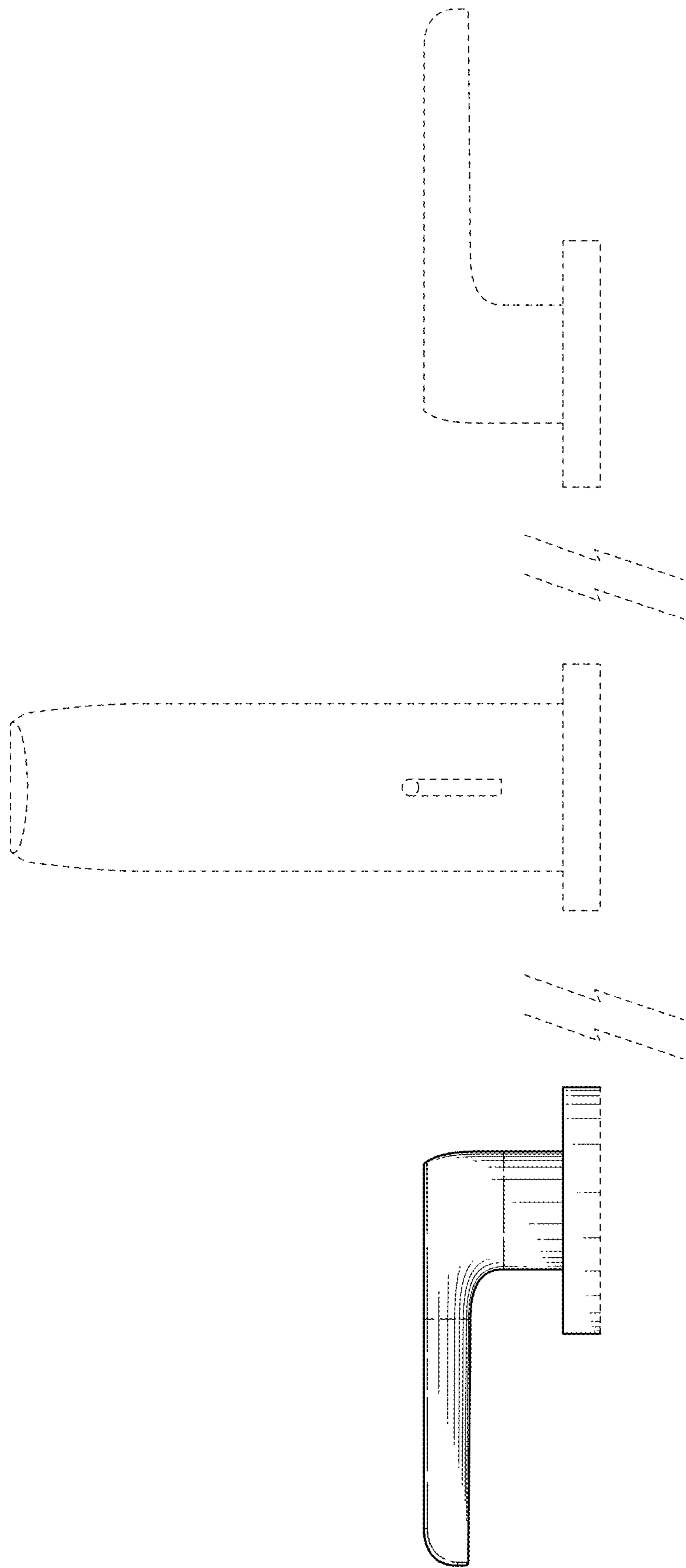


FIG. 5

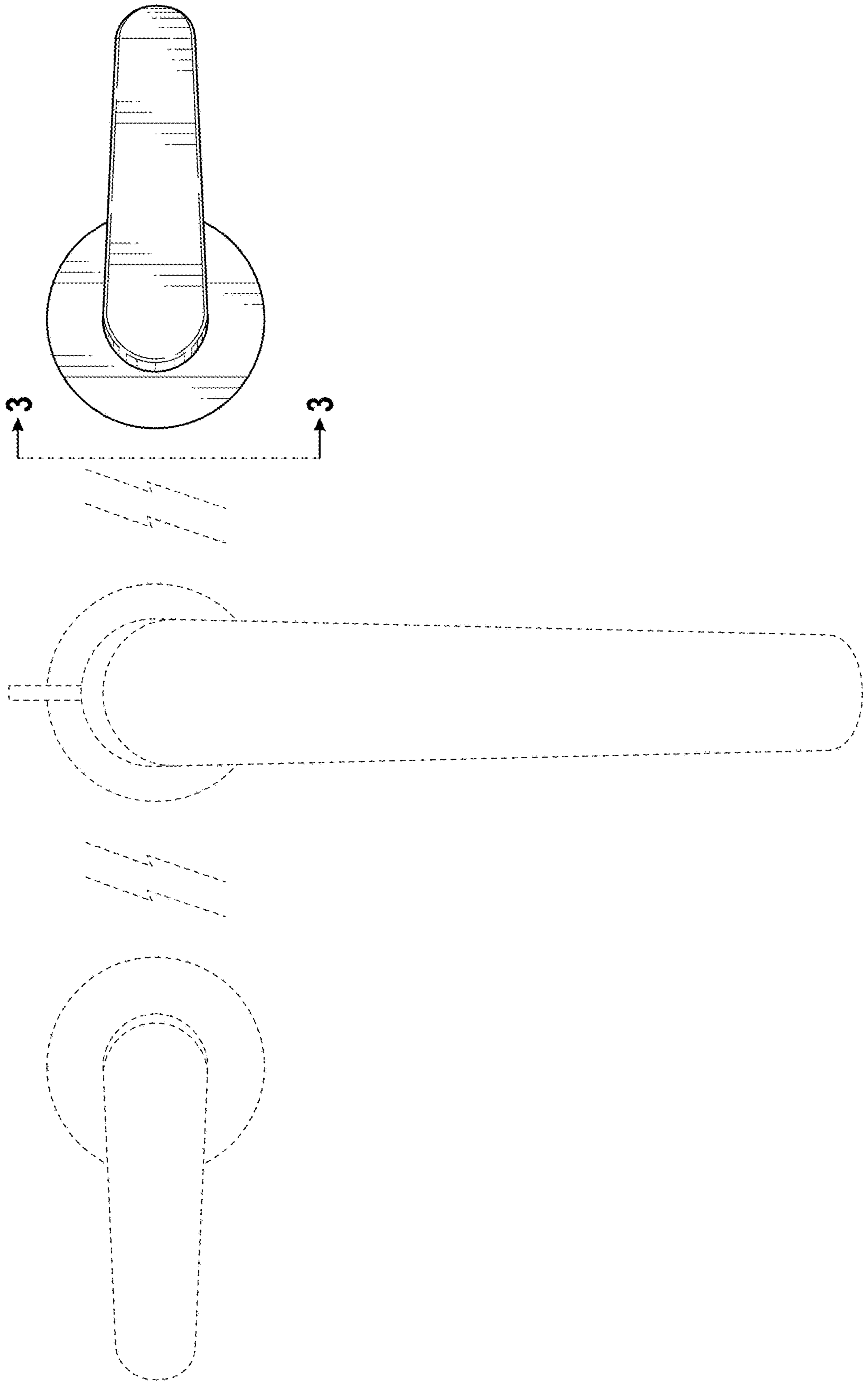


FIG. 6

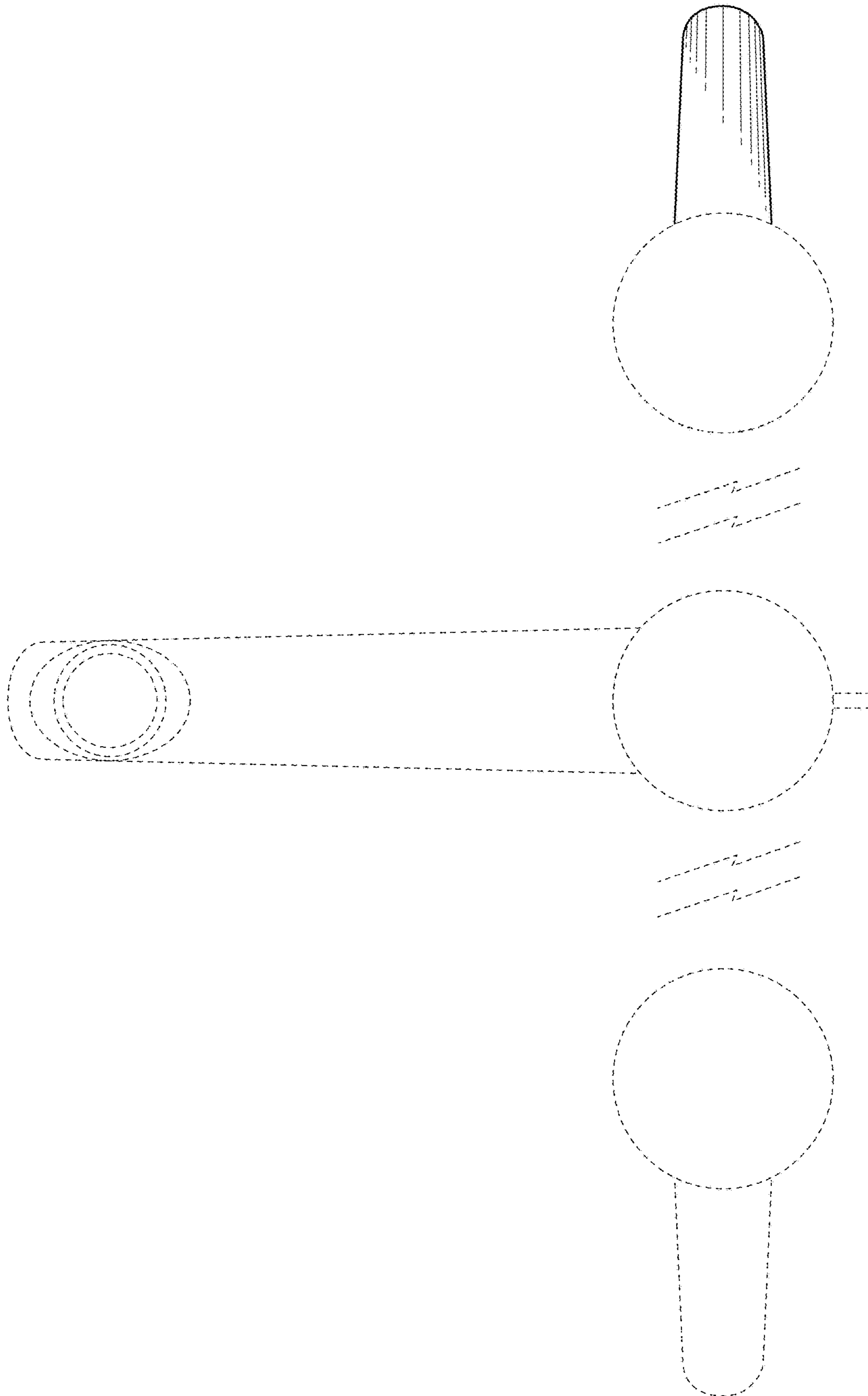


FIG. 7