



US00D788268S

(12) **United States Design Patent** (10) **Patent No.:** **US D788,268 S**
Gamache (45) **Date of Patent:** **** May 30, 2017**

- (54) **ROTARY VALVE** 4,948,565 A 8/1990 Bemis et al.
- 4,957,008 A 9/1990 Proni et al.
- (71) Applicant: **MECANIQUE ANALYTIQUE INC.,** 5,704,396 A * 1/1998 Brillant F16K 11/074
Thetford Mines (CA) 137/625.15
- (72) Inventor: **Yves Gamache,** Adstock (CA) 6,889,710 B2 5/2005 Wagner
- 8,191,578 B2 * 6/2012 Weiss F16K 11/0743
137/625.15
- (73) Assignee: **Mécanique Analytique Inc.,** 8,286,663 B2 10/2012 Kallback et al.
- Thetford-Mines (CA) 8,876,081 B2 * 11/2014 Tower F16K 3/08
137/625.15

(Continued)

(**) Term: **15 Years**

FOREIGN PATENT DOCUMENTS

- (21) Appl. No.: **29/558,223**
- (22) Filed: **Mar. 16, 2016**
- (51) **LOC (10) Cl.** **23-01**
- (52) **U.S. Cl.**
- USPC **D23/233**

CA 2448859 A1 5/2004
SE 8205879 10/1982

(Continued)

- (58) **Field of Classification Search**
- USPC D23/233, 234, 235, 236, 237, 238, 239,
D23/240, 241, 242, 243, 244, 245, 246,
D23/247, 248, 249, 250, 259, 255;
4/249, 255.03, 378, 392-396, 420,
4/431-435, 437, 438, 661; 251/331, 291,
251/15, 129.04, 129.15, 129.01, 30.04,
251/25, 38, 28, 41, 172, 180, 304, 306,
251/208, 283; 137/1, 50, 57, 61, 61.1,
137/357, 115.23, 596.14, 599.07, 487.5,
137/271, 269, 625.64, 343, 882, 560, 557,
137/554, 217, 625.15, 601.05, 601.16;
D10/85; 73/1.71, 23.42
- CPC .. F16K 31/041; F16K 1/22; Y10T 137/86863;
Y10T 137/86533; Y10T 137/86638; Y10T
137/86823; Y10T 137/86743; G01N
2030/202

Primary Examiner — Cynthia Ramirez
Assistant Examiner — Michael Maharajh
(74) *Attorney, Agent, or Firm* — Price Heneveld LLP

See application file for complete search history.

(56) **References Cited**

U.S. PATENT DOCUMENTS

4,507,977 A 4/1985 Cabrera
4,936,348 A 6/1990 Swanson et al.

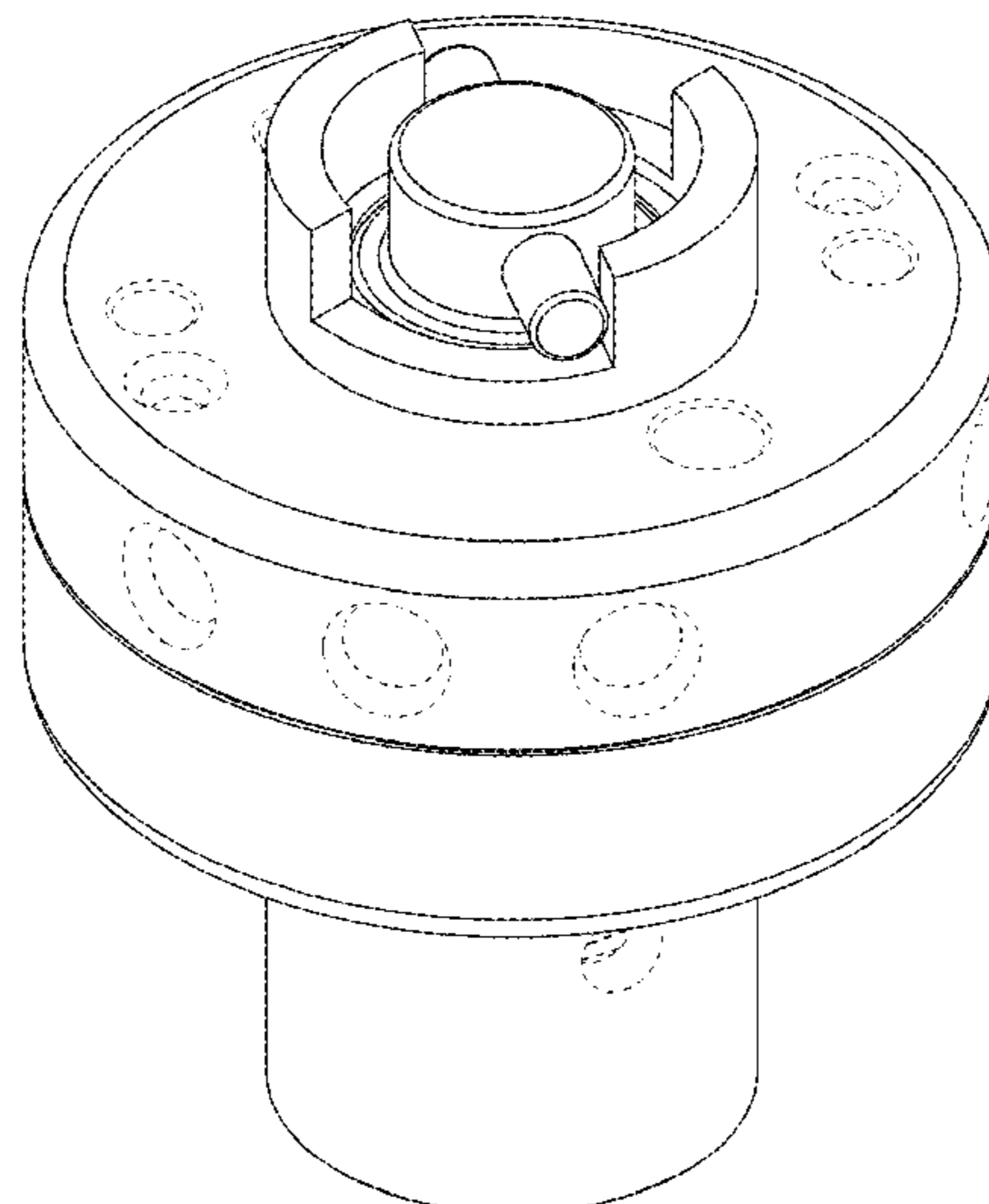
(57) **CLAIM**

The ornamental design for a rotary valve, as shown and described.

DESCRIPTION

FIG. 1 is a top front perspective view of a rotary valve showing my new design;
FIG. 2 is a left side elevational view thereof;
FIG. 3 is a right side elevational view thereof;
FIG. 4 is a top plan view thereof;
FIG. 5 is a bottom view thereof;
FIG. 6 is an exploded top front perspective view thereof;
FIG. 7 is an exploded top left perspective view thereof; and,
FIG. 8 is an exploded left side elevational view thereof.
The broken lines shown in the figures are for the purpose of illustrating portions of the rotary valve and form no part of the claimed design.

1 Claim, 8 Drawing Sheets



(56)

References Cited

U.S. PATENT DOCUMENTS

8,905,075 B2* 12/2014 Tower F16K 3/08
137/625.15
9,140,376 B2 9/2015 Farina et al.
2002/0195150 A1 12/2002 Schick et al.
2007/0028971 A1 2/2007 Wagner
2007/0144594 A1 6/2007 Moon et al.
2009/0107332 A1 4/2009 Wagner
2011/0006237 A1 1/2011 Tower
2011/0303304 A1 12/2011 Tower et al.
2012/0181466 A1* 7/2012 Gamache F16K 5/0242
251/231
2013/0112604 A1 5/2013 Keene et al.
2014/0352827 A1 12/2014 Yasunaga et al.
2015/0233479 A1 8/2015 Bjernulf et al.
2016/0305557 A1* 10/2016 Liu F16K 11/0743

FOREIGN PATENT DOCUMENTS

WO 9007702 A1 7/1990
WO 2008140377 A1 11/2008
WO 2011159644 A1 12/2011
WO 2012158490 A1 11/2012
WO 2013099823 A1 7/2013
WO 2014031069 A1 2/2014

* cited by examiner

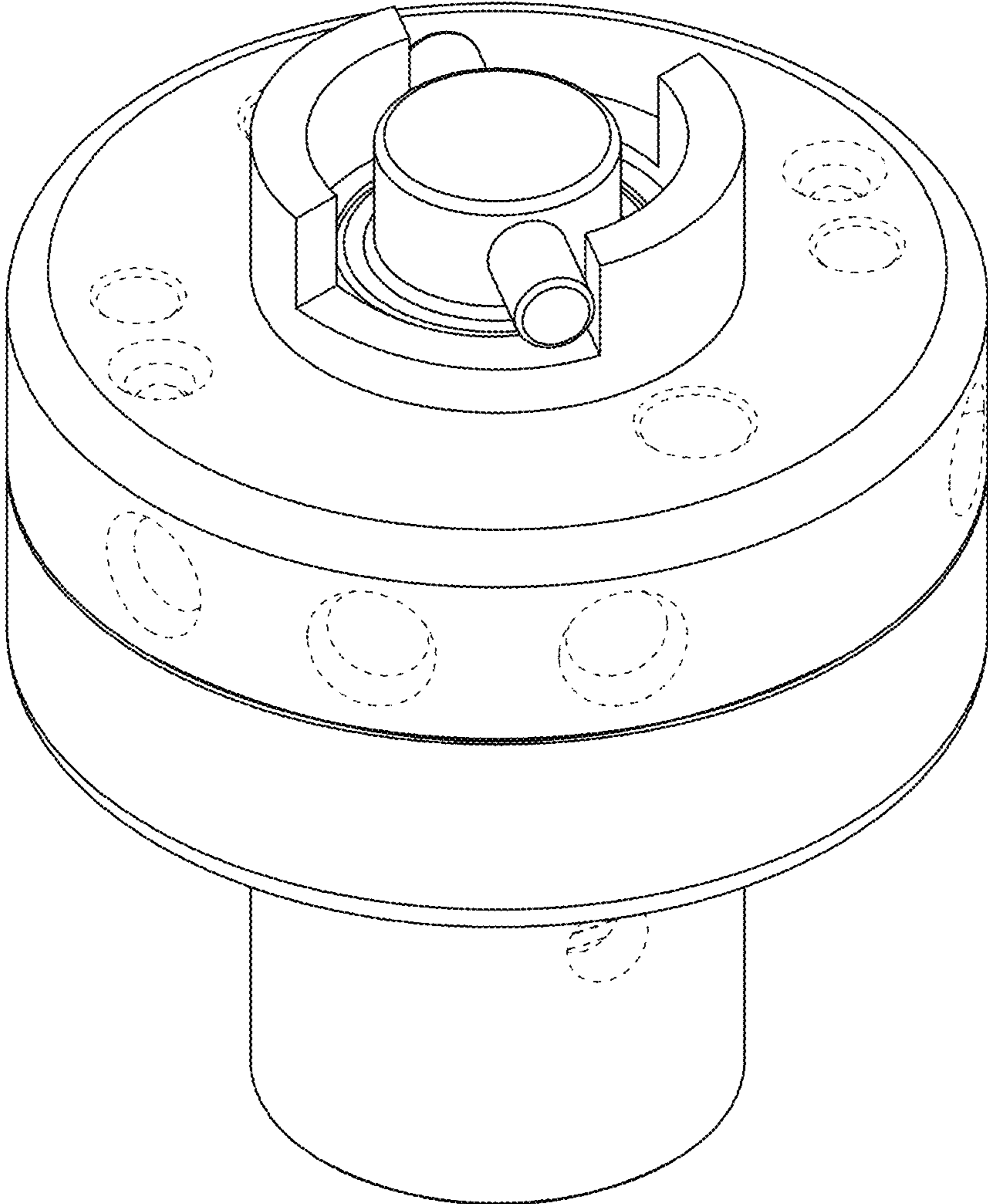


FIG. 1

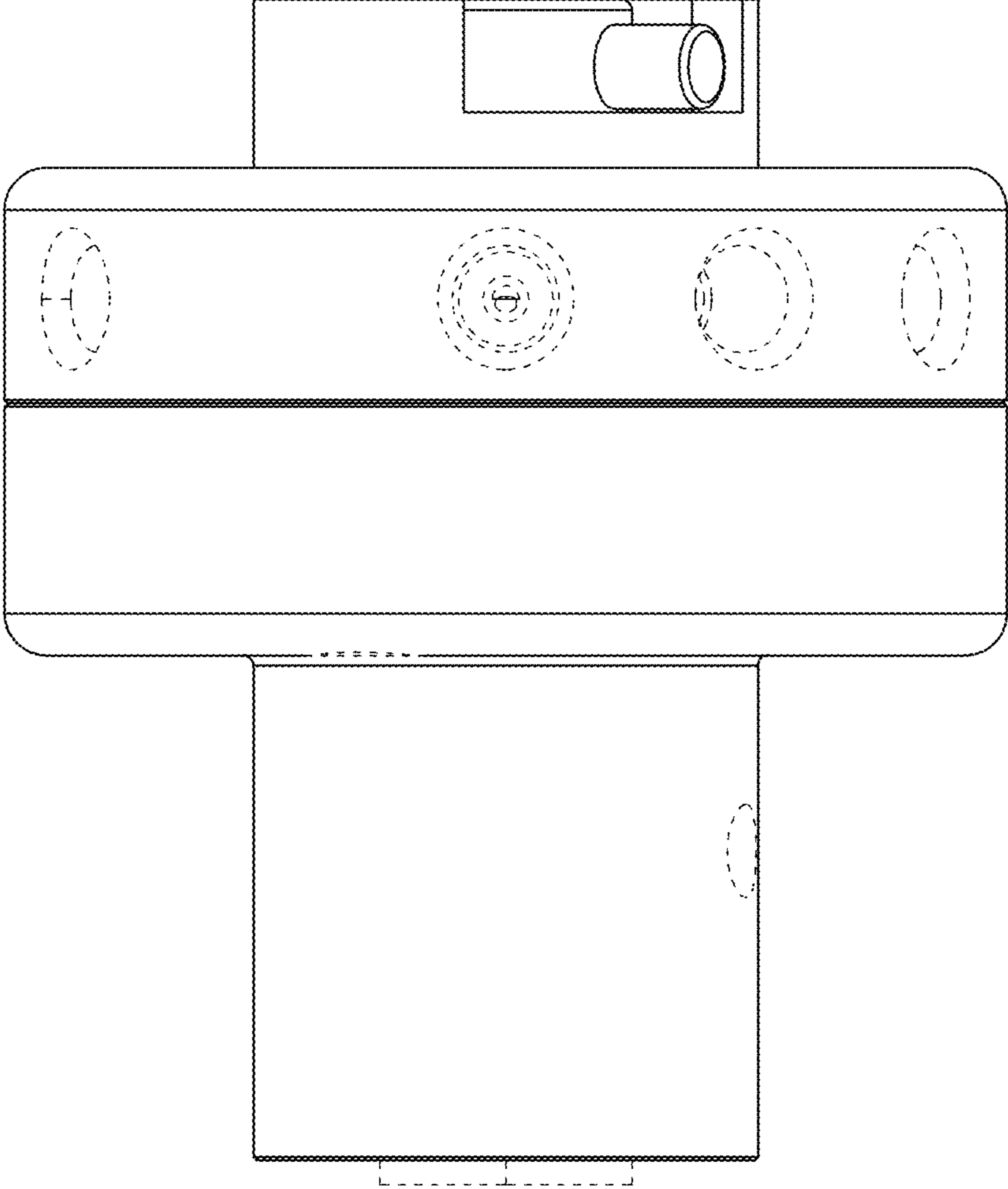


FIG. 2

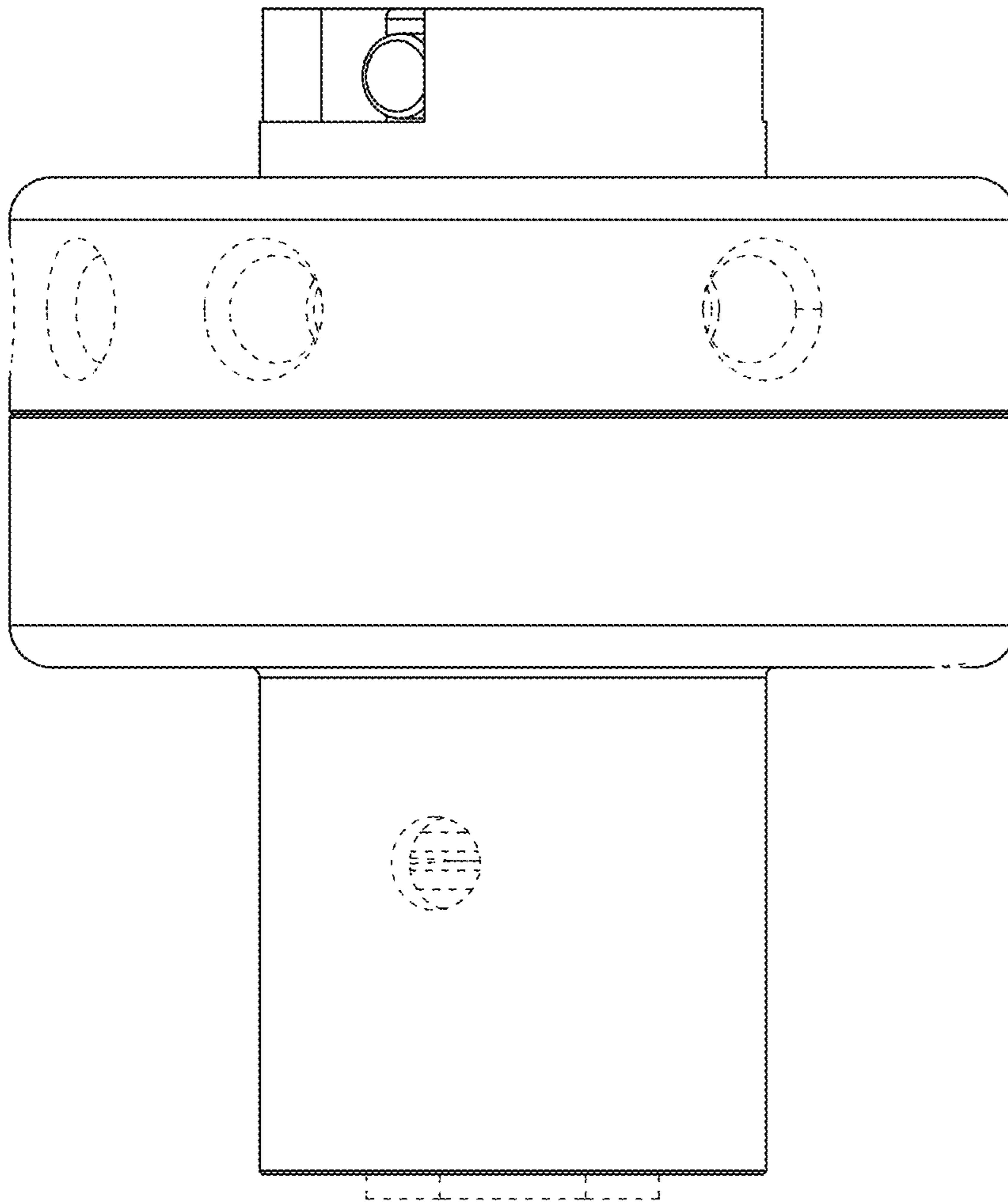


FIG. 3

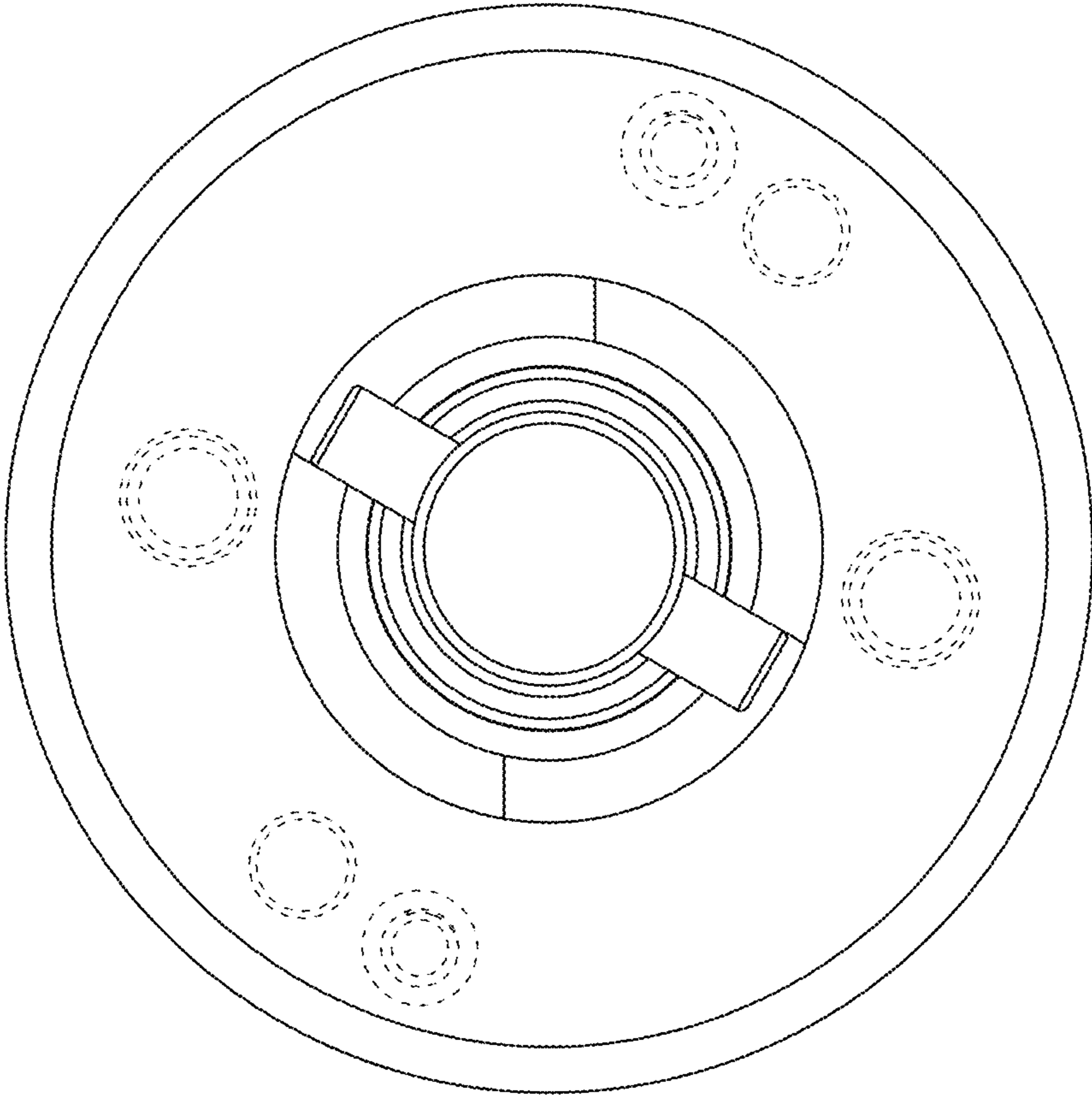


FIG. 4

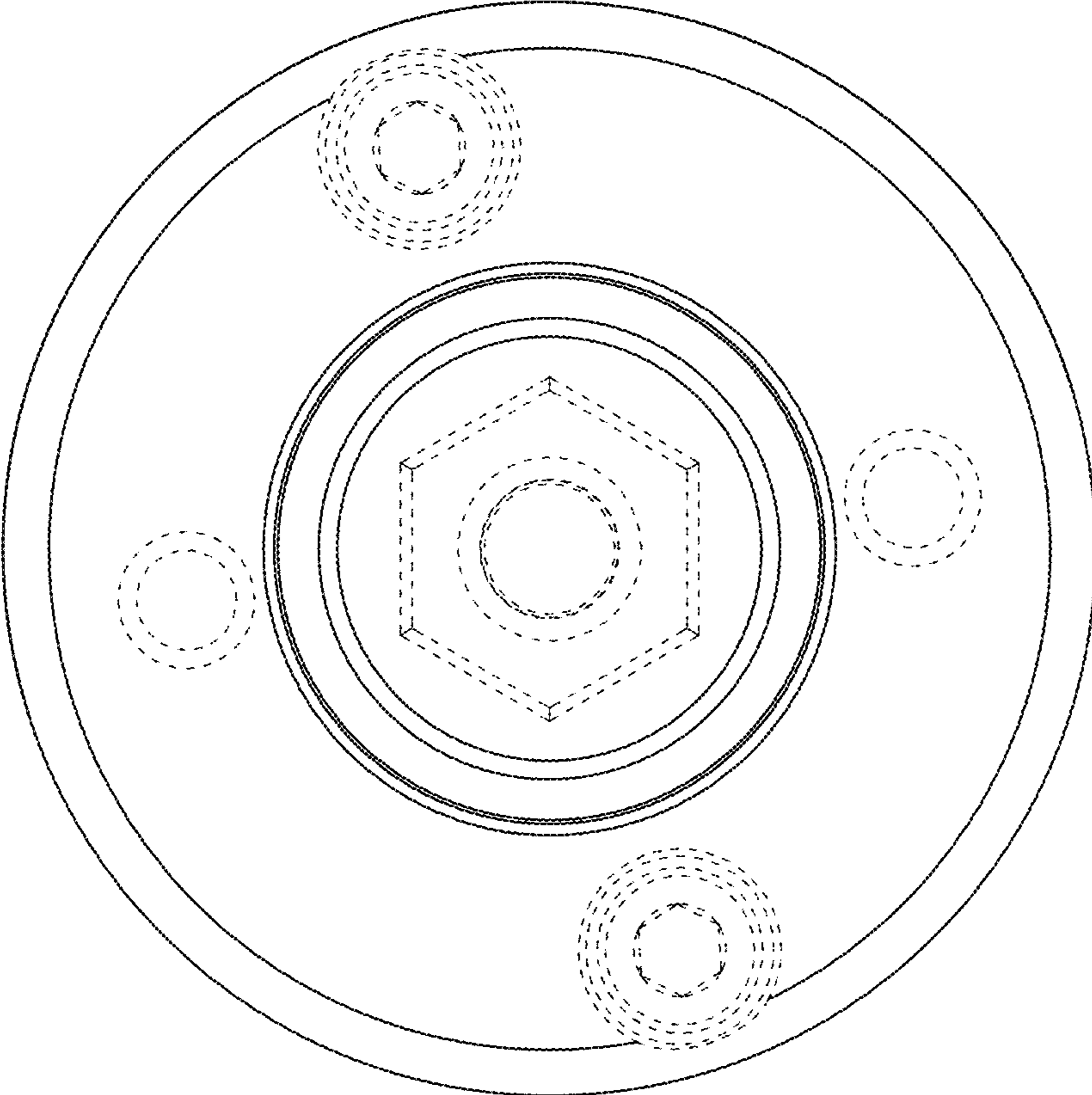


FIG. 5

FIG. 6

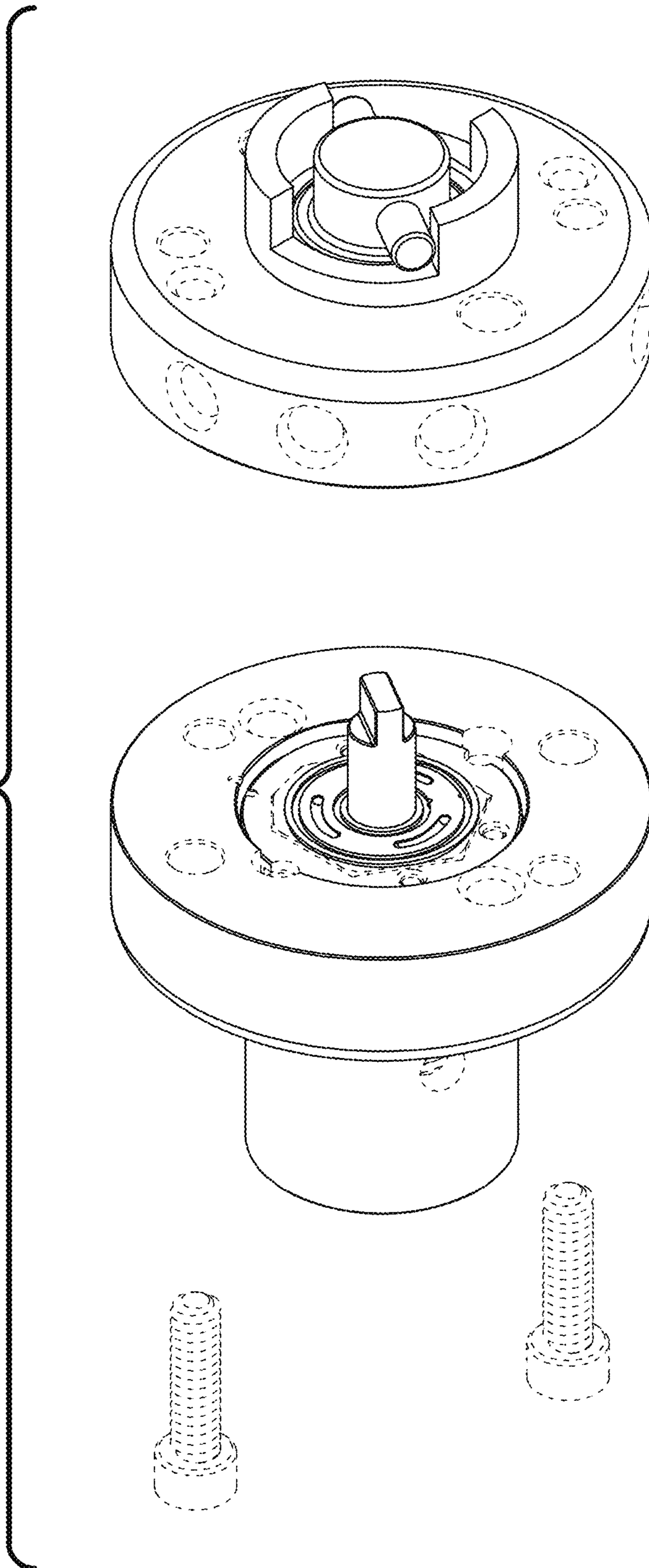


FIG. 7

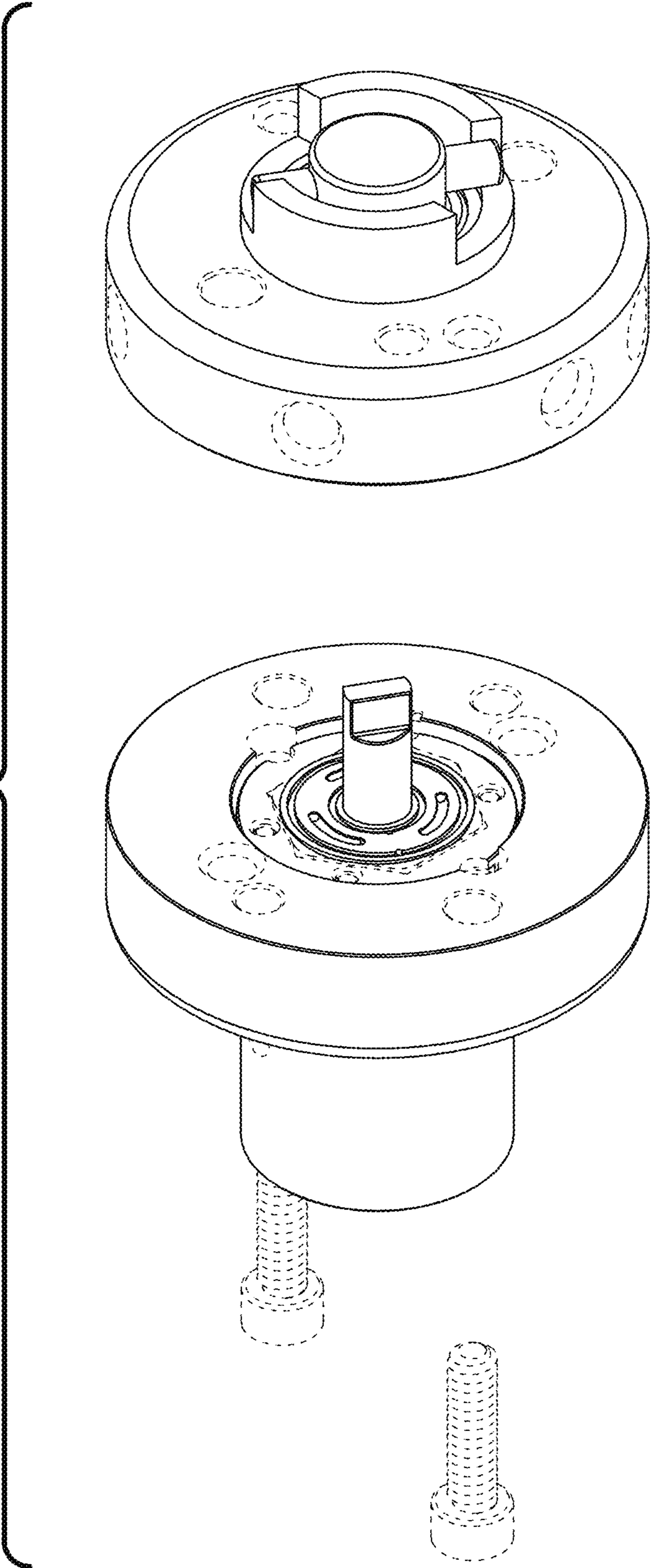


FIG. 8

