



US00D788267S

(12) **United States Design Patent**
Mueller et al.

(10) **Patent No.:** **US D788,267 S**

(45) **Date of Patent:** **** May 30, 2017**

(54) **CONTROL PANEL FOR A HEATER**

F24H 9/20; F24H 9/2007; F24H 9/2021;
F04D 25/10; F04D 25/08; F04D 17/04

See application file for complete search history.

(71) Applicant: **Robert Bosch GmbH**, Stuttgart (DE)

(72) Inventors: **Steffen Mueller**, Stuttgart (DE); **Jichao Zhu**, Braunschweig (DE); **Jonas Vollmer**, Stuttgart (DE)

(56) **References Cited**

U.S. PATENT DOCUMENTS

D187,859 S *	5/1960	Bonzer	D23/325
D220,332 S *	3/1971	Myler	D23/318
D297,259 S *	8/1988	Wen-Tun	D23/337
D367,525 S *	2/1996	Gruebel	D23/333
D371,833 S *	7/1996	Jane	D23/332
D486,897 S *	2/2004	Rolph	D23/319
D533,648 S *	12/2006	Moskwa	D23/319

(73) Assignee: **Robert Bosch GmbH**, Stuttgart (DE)

(**) Term: **15 Years**

* cited by examiner

(21) Appl. No.: **29/534,007**

Primary Examiner — T. Chase Nelson

(22) Filed: **Jul. 24, 2015**

Assistant Examiner — Ania Aman

(30) **Foreign Application Priority Data**

(74) *Attorney, Agent, or Firm* — Maginot, Moore & Beck LLP

Feb. 4, 2015 (EM) 001432942

(51) **LOC (10) Cl.** **23-03**

(57) **CLAIM**

(52) **U.S. Cl.**

The ornamental design for a control panel for a heater, as shown and described.

USPC **D23/233**

(58) **Field of Classification Search**

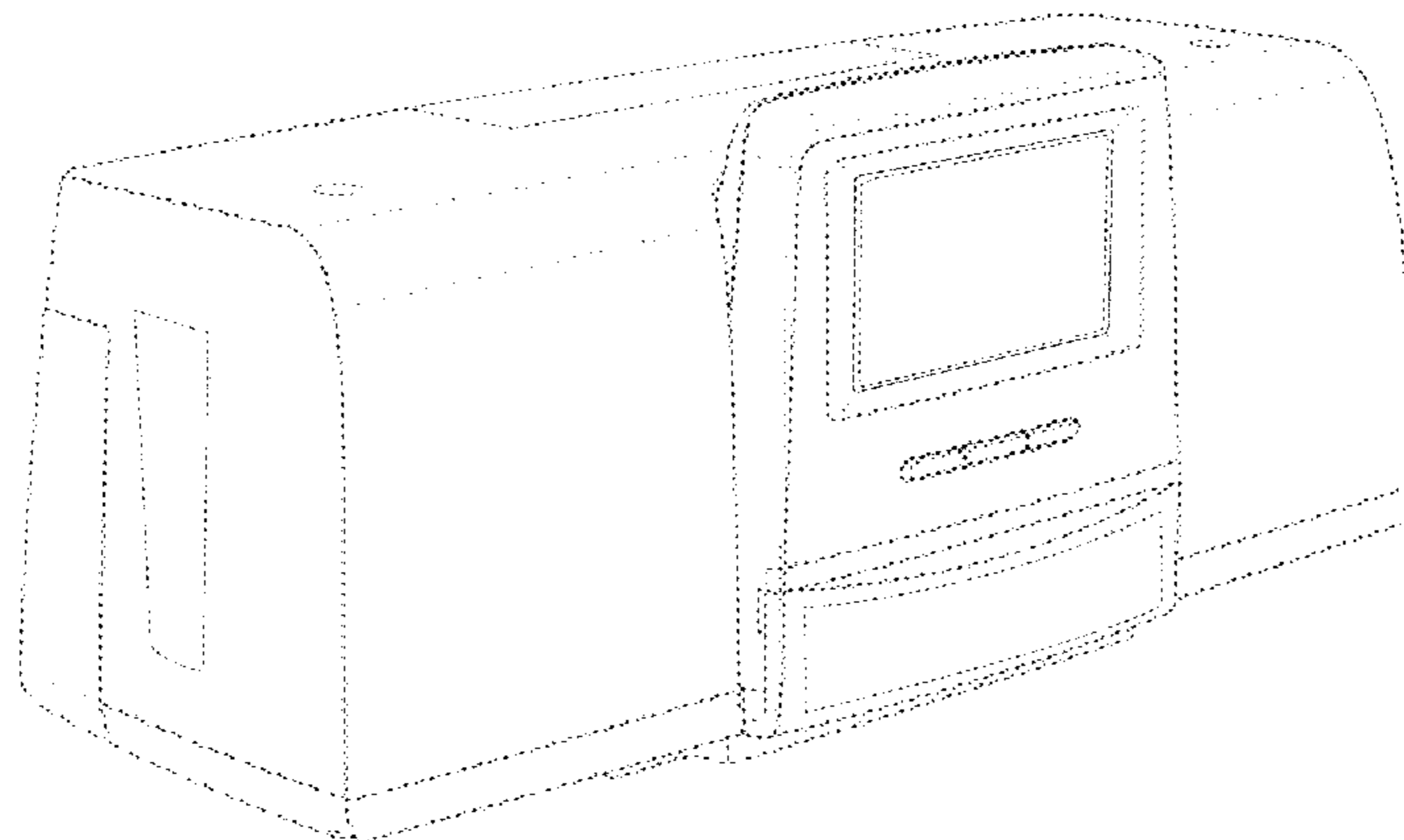
DESCRIPTION

USPC D23/314, 315, 316, 317, 318, 319, 320,
D23/321, 322, 323, 324, 328, 329, 330,
D23/331, 332, 334, 335, 336, 337, 338,
D23/339, 340, 341, 342, 343, 344, 345,
D23/346, 347, 348, 349, 350, 355, 351,
D23/352, 356, 357, 358, 361, 364, 325,
D23/333, 359, 386, 387, 388, 389, 390,
D23/391, 254; D14/214, 225, 235, 237,
D14/240, 241, 255, 356, 362, 126, 129,
D14/336, 337, 341, 371, 375, 218;
D13/184, 162, 164, 171, 177, 168;
392/449, 465, 485, 494; D10/49, 50,
D10/104.1, 106.1, 106.95

CPC F24C 7/10; F24H 9/2071; F24H 9/2064;
F24H 1/06; F24H 3/0417; F24H 3/0411;

FIG. 1 is a front perspective view of a control panel for a heater showing our new design;
FIG. 2 is a front elevational view showing the design for the control panel for a heater of FIG. 1;
FIG. 3 is a rear elevational view showing the design for the control panel for a heater of FIG. 1;
FIG. 4 is a top plan view showing the design for the control panel for a heater of FIG. 1;
FIG. 5 is a left side elevational view showing the design for the control panel for a heater of FIG. 1;
FIG. 6 is a right side elevational view showing the design for the control panel for a heater of FIG. 1; and,
FIG. 7 is a bottom plan view showing the design for the control panel for a heater of FIG. 1.

(Continued)



The broken lines shown in the drawings illustrate portions of the control panel for a heater that form no part of the claimed design.

1 Claim, 7 Drawing Sheets

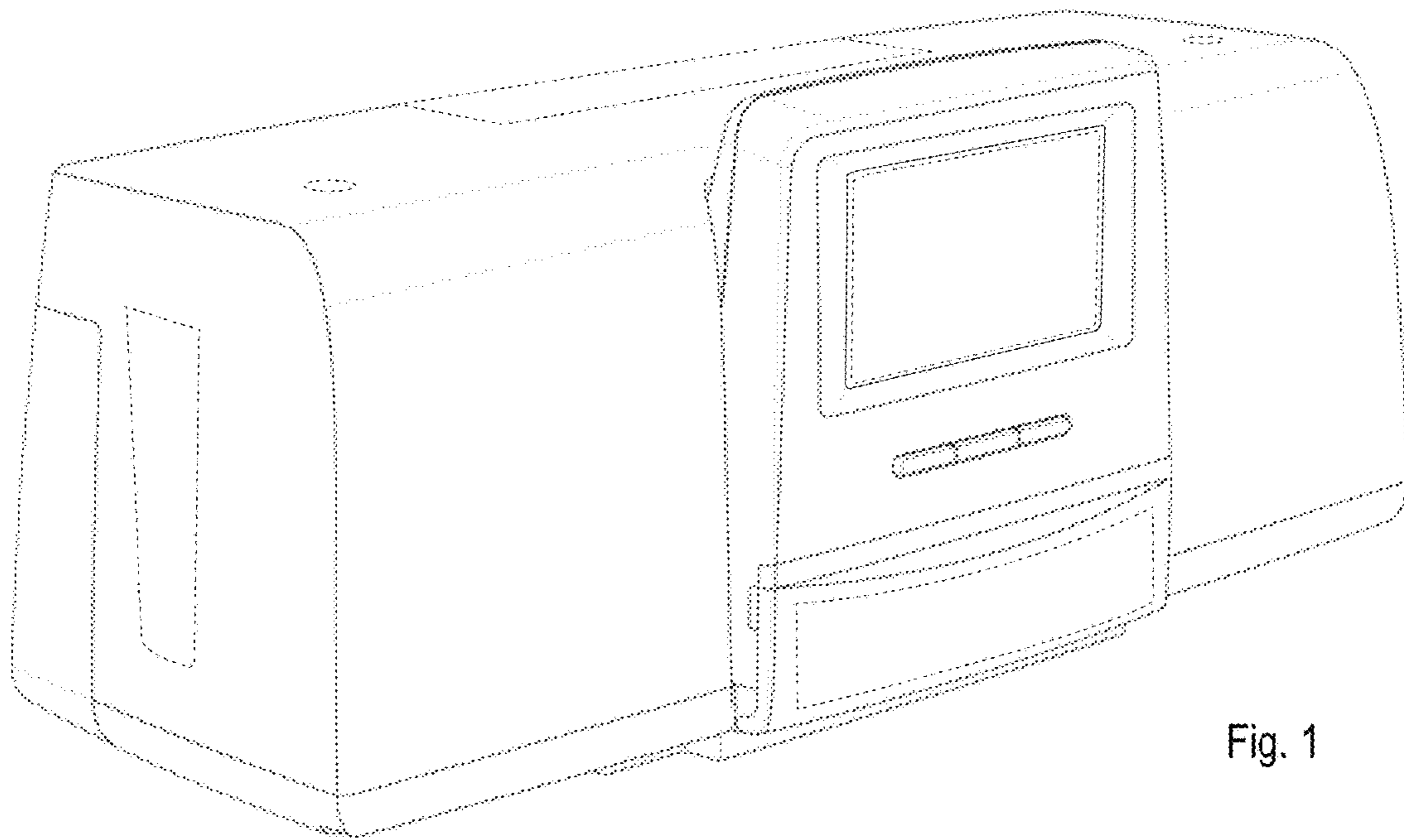


Fig. 1

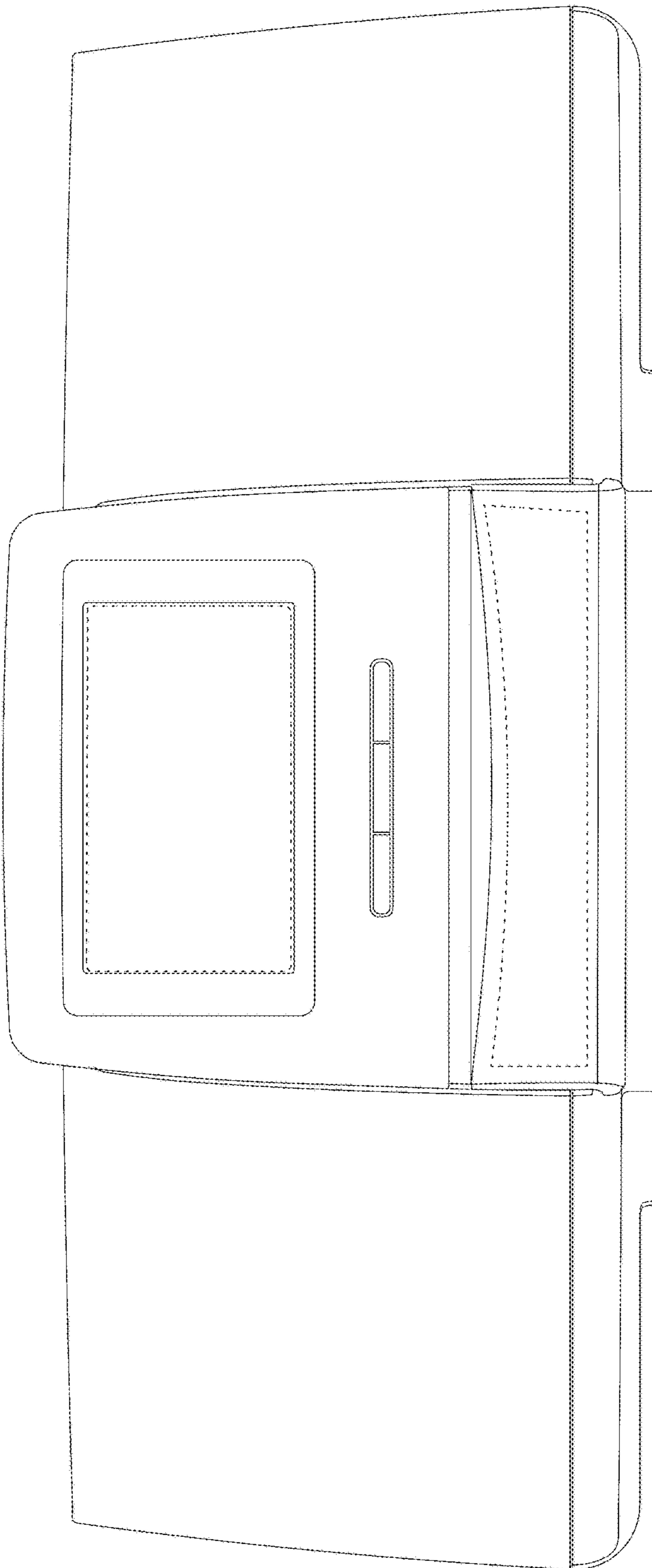


Fig. 2

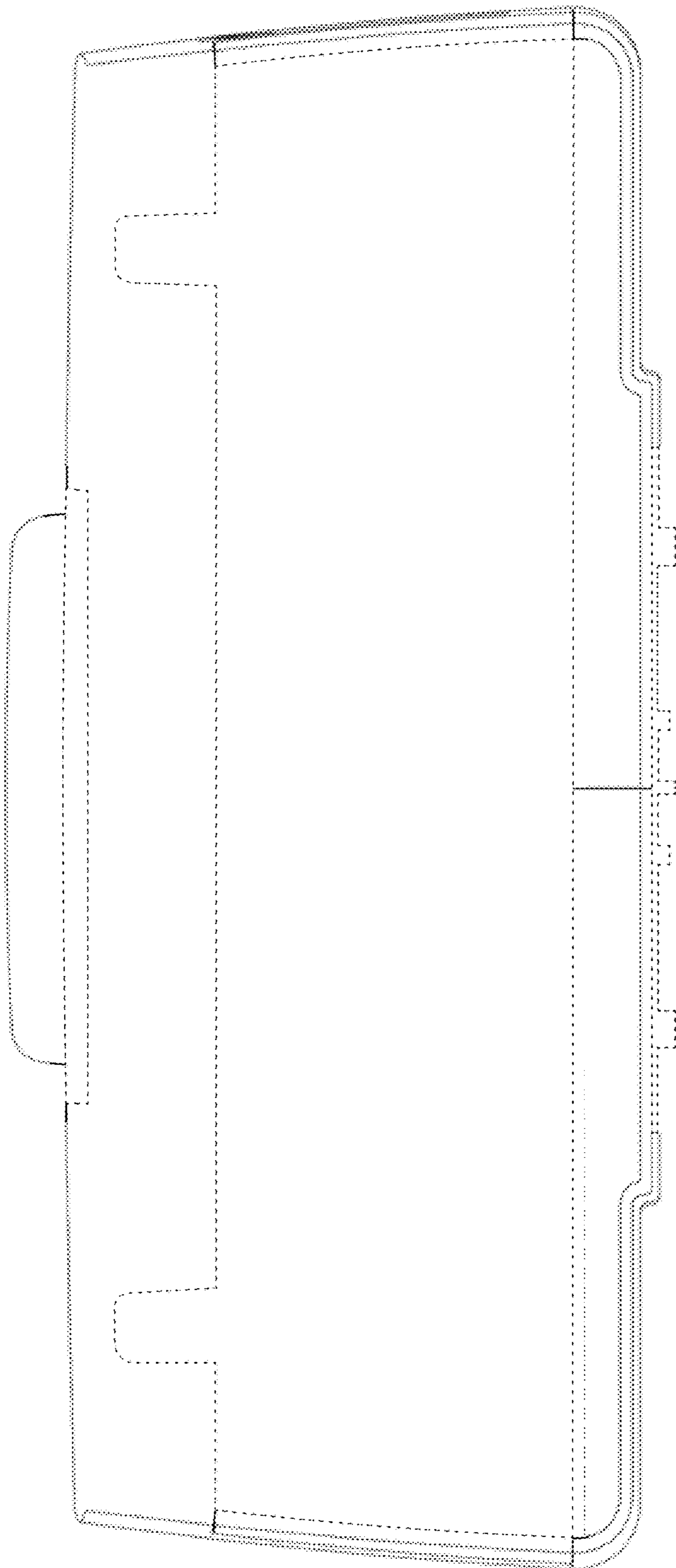


Fig. 3

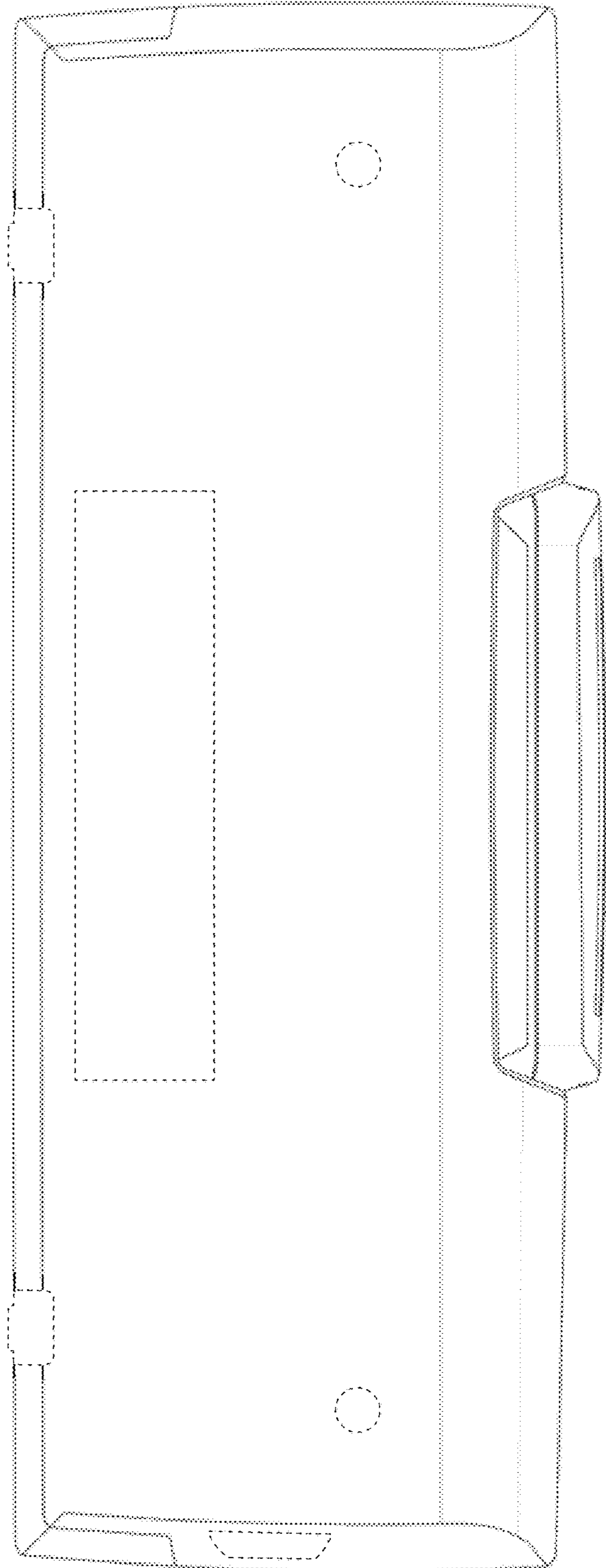


Fig. 4

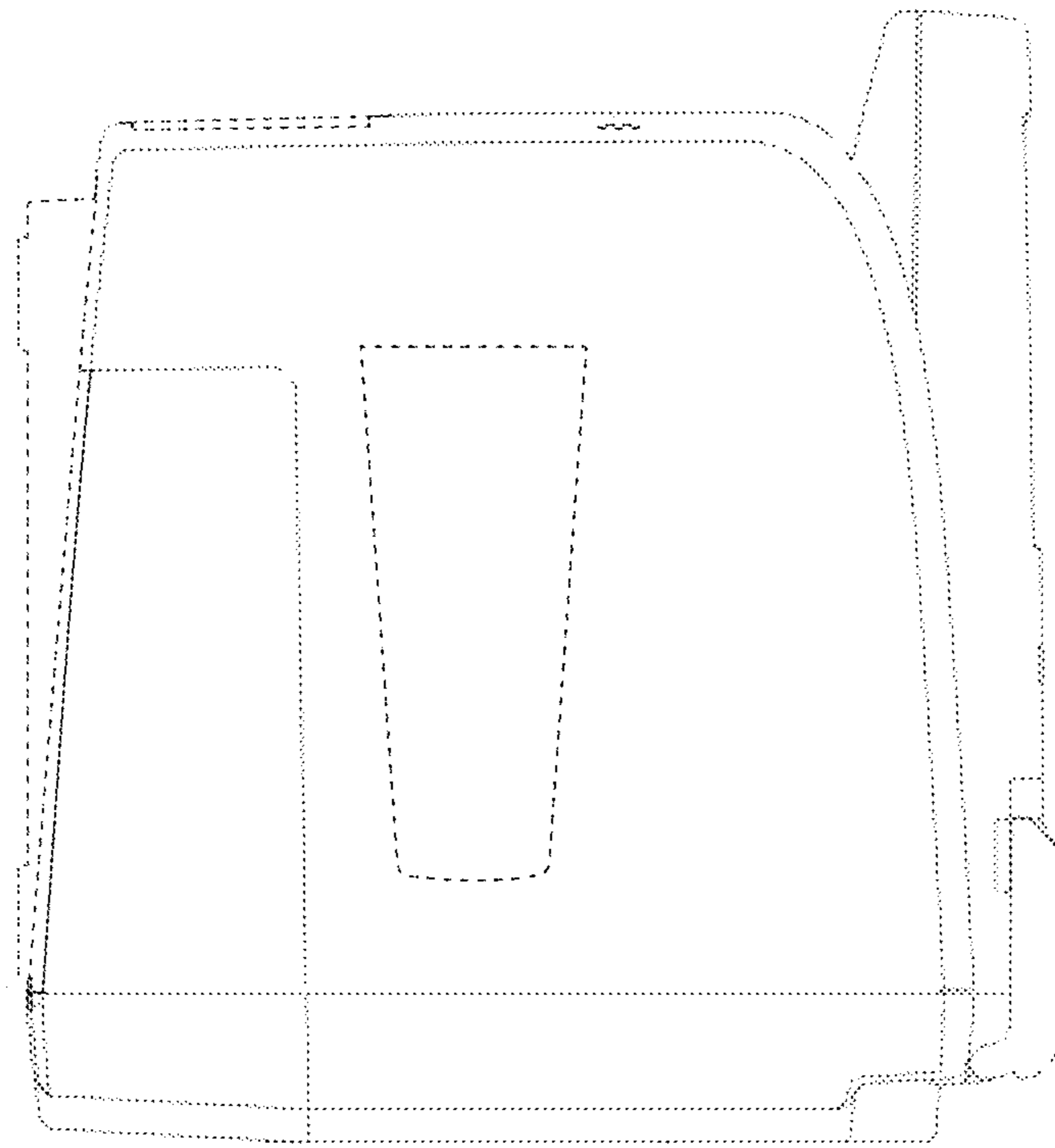


Fig. 5

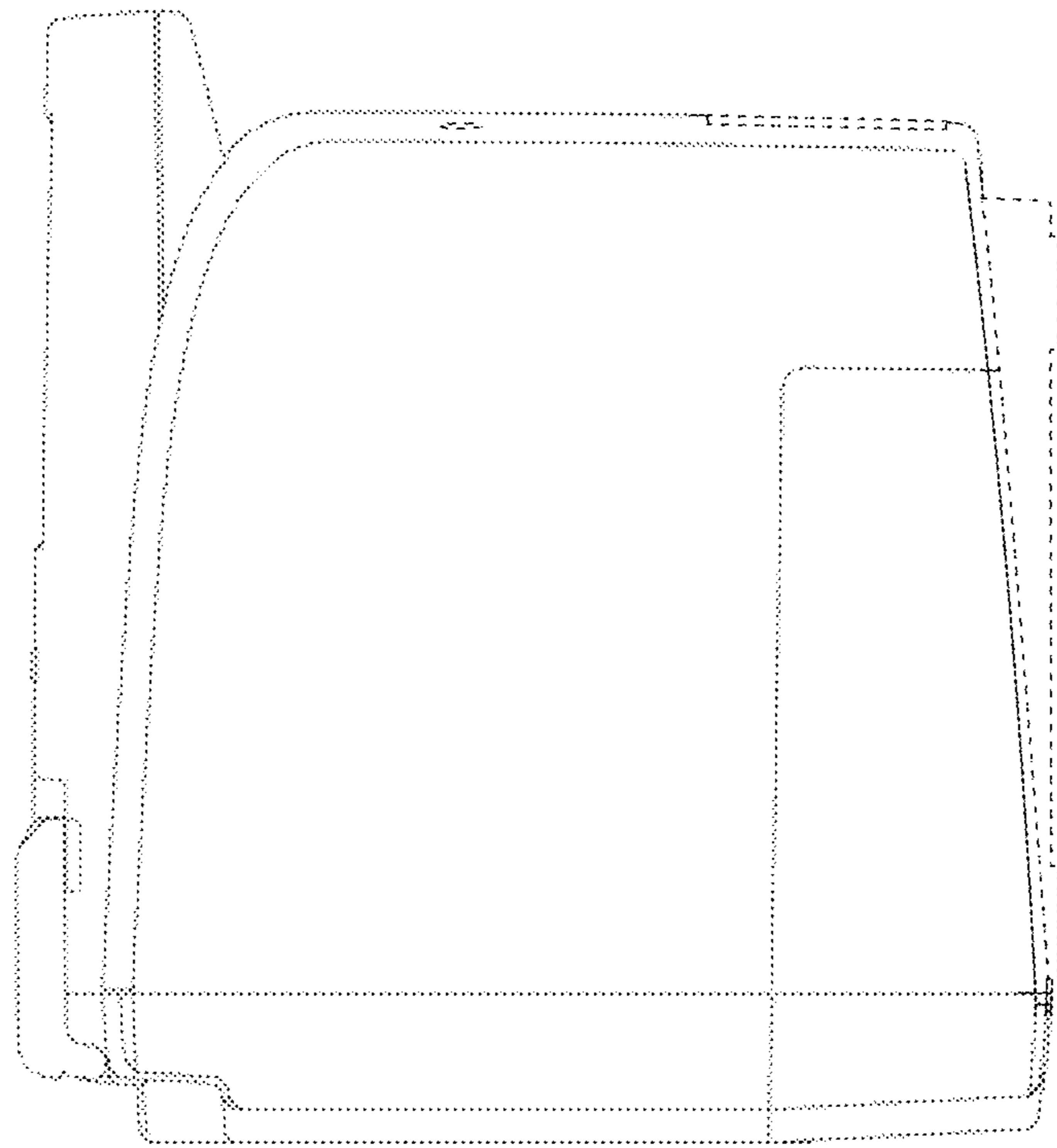


Fig. 6

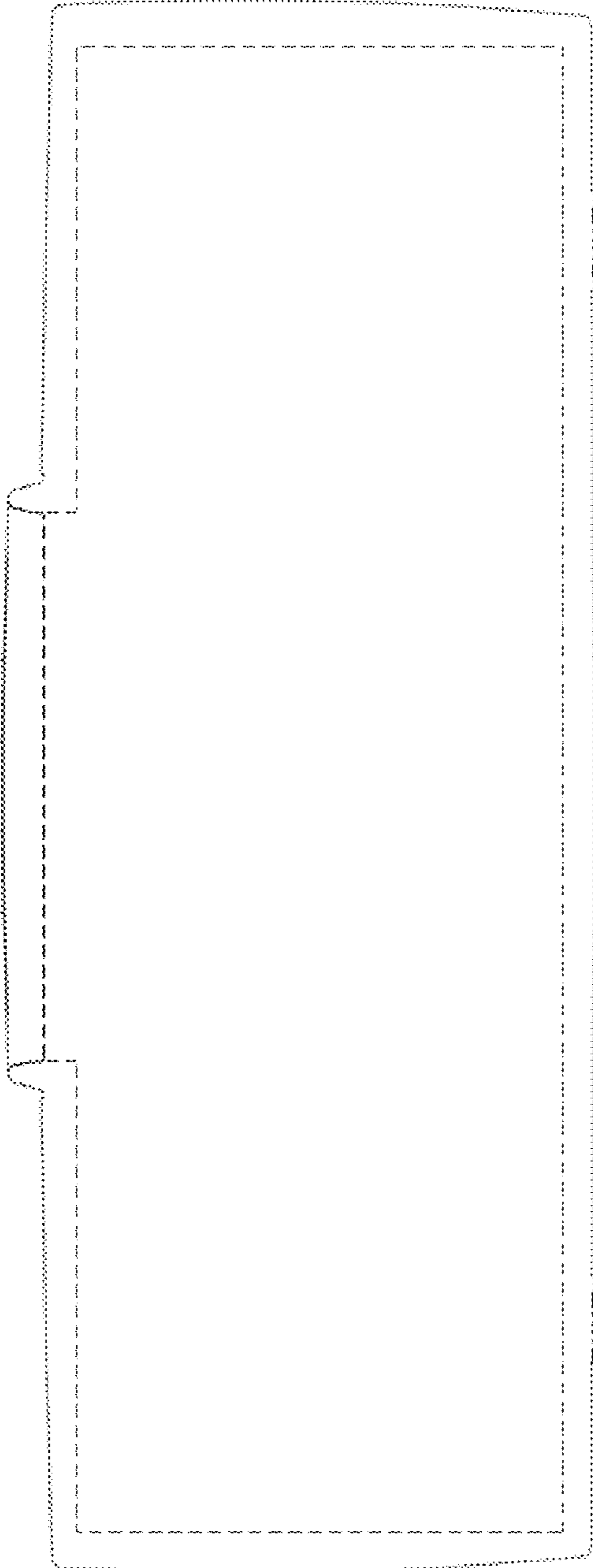


Fig. 7