



US00D788266S

(12) **United States Design Patent** (10) **Patent No.:** **US D788,266 S**
Ito et al. (45) **Date of Patent:** **** May 30, 2017**

(54) **EJECTOR VALVE**

(56) **References Cited**

(71) Applicants: **SATAKE CORPORATION**, Tokyo (JP); **MECHANO TRANSFORMER CORPORATION**, Tokyo (JP); **KURODA PNEUMATICS LTD.**, Asahi-shi, Chiba (JP)

U.S. PATENT DOCUMENTS

5,320,497 A * 6/1994 Nagai B65G 47/91
417/186
5,628,411 A * 5/1997 Mills B07C 5/3425
209/644
5,810,115 A * 9/1998 Mismas F16K 27/003
137/557
D409,279 S * 5/1999 Hayashi D23/233
6,189,858 B1 * 2/2001 Miyazoe F16K 15/185
251/129.06
D443,030 S * 5/2001 Kaneko D23/233
6,416,295 B1 * 7/2002 Nagai F04F 5/44
417/187
6,779,985 B2 * 8/2004 Cho F04F 5/22
417/186
D520,960 S * 5/2006 Nagai D13/158
D591,829 S * 5/2009 Miyazoe D23/233

(72) Inventors: **Takafumi Ito**, Hiroshima (JP); **Sze Keat Chee**, Tokyo (JP); **Toshitada Hirata**, Asahi (JP); **Toshiro Higuchi**, Tokyo (JP)

(73) Assignees: **Satake Corporation** (JP); **Mechano Transformer Corporation** (JP); **Kuroda Pneumatics Ltd.** (JP)

(**) Term: **14 Years**

(Continued)

(21) Appl. No.: **29/516,673**

Primary Examiner — Mark Goodwin

(22) Filed: **Feb. 5, 2015**

(74) *Attorney, Agent, or Firm* — Lerner, David, Littenberg, Krumholz & Mentlik, LLP

(30) **Foreign Application Priority Data**

Aug. 7, 2014 (JP) 2014-17260

(51) **LOC (10) Cl.** **23-01**

(52) **U.S. Cl.**
USPC **D23/233; D15/10**

(58) **Field of Classification Search**
USPC D23/233-250; D15/10, 17, 28, 147;
209/644, 44.2, 467, 469, 486, 498, 502,
209/552, 694, 441, 580, 509, 588, 557,
209/687, 172.5, 546, 564; 251/129.01,
251/129.06, 282, 129.04

CPC B07C 5/3425; B07C 5/366; B07C 5/3422;
B07C 5/365; B41J 2/165; F16K 15/185;
F16K 15/18; F16K 15/00; F16K 31/004;
F16K 31/005; F16K 31/00; Y10T
137/87716; Y10T 137/87877; F04F
5/466; F04F 5/52

See application file for complete search history.

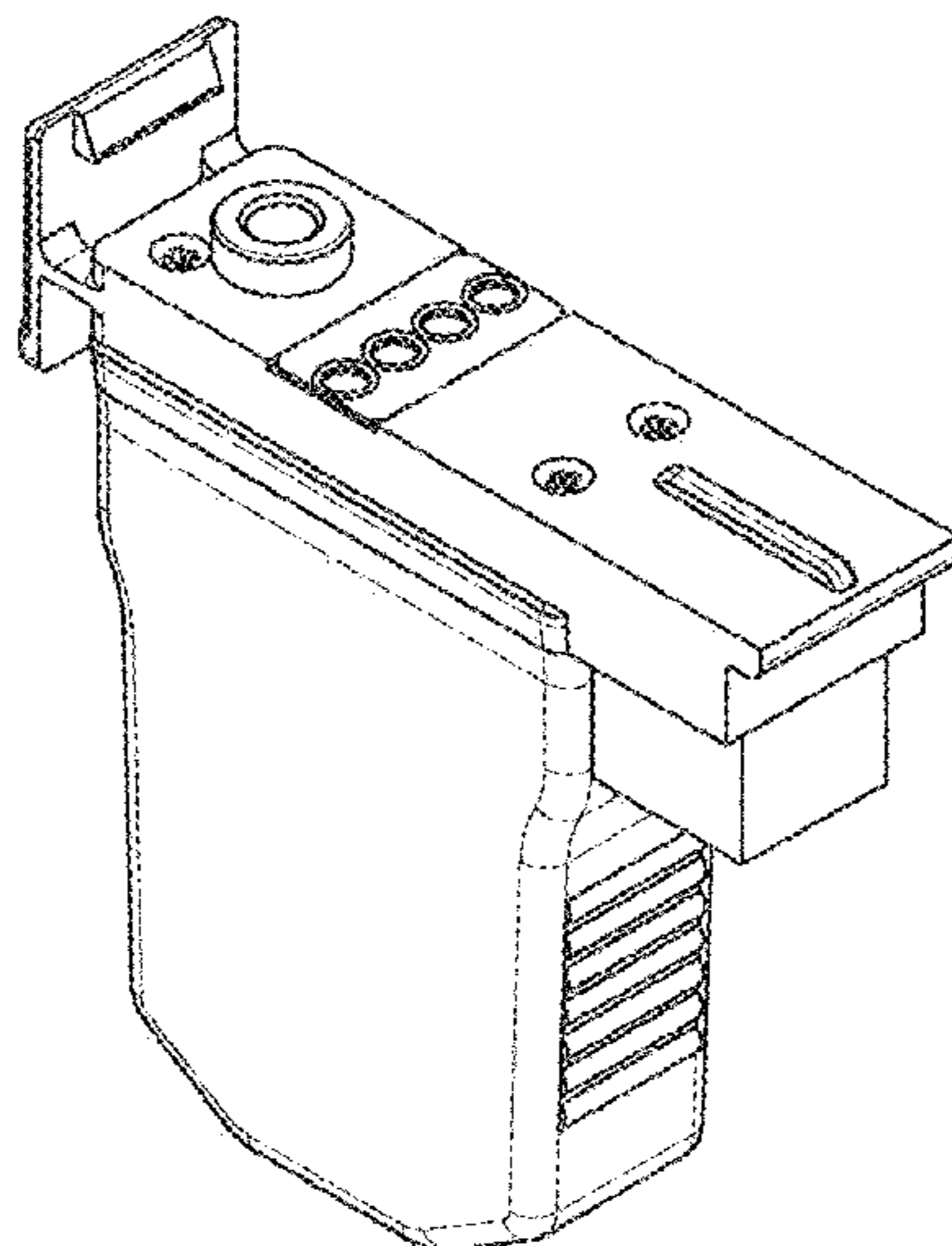
(57) **CLAIM**

We claim the ornamental design for an ejector valve, as shown and described.

DESCRIPTION

FIG. 1 is a perspective view of an ejector valve showing our new design, as seen from above and to the right; FIG. 2 is a perspective view of an ejector valve showing our new design, as seen from below and to the right; FIG. 3 is a front elevational view thereof; FIG. 4 is a rear elevational view thereof; FIG. 5 is a left side view thereof; FIG. 6 is a right side view thereof; FIG. 7 top plan view thereof; and, FIG. 8 is a bottom plan view thereof.

1 Claim, 8 Drawing Sheets



(56)

References Cited

U.S. PATENT DOCUMENTS

D594,929 S *	6/2009	Takakuwa	D23/233	8,833,566 B2 *	9/2014	Ito	B07C 5/3422 209/552
D594,930 S *	6/2009	Takakuwa	D23/233	D715,899 S *	10/2014	Fukano	D23/233
D607,540 S *	1/2010	Matsumoto	D23/233	D720,043 S *	12/2014	Nishiyama	D23/233
D623,269 S *	9/2010	Fukano	D23/233	D723,064 S *	2/2015	Eisele	D15/7
D623,270 S *	9/2010	Fukano	D23/233	D725,232 S *	3/2015	Doi	D23/233
D653,307 S *	1/2012	Senba	D23/233	D728,744 S *	5/2015	Nishiyama	D23/233
D653,308 S *	1/2012	Senba	D23/233	9,097,359 B2 *	8/2015	Ito	B07C 5/3425
D665,874 S *	8/2012	Senba	D23/233	9,114,430 B2 *	8/2015	Ito	F16K 31/004
D692,098 S *	10/2013	Fukano	D23/233	D742,481 S *	11/2015	Inaba	D23/233
D692,985 S *	11/2013	Tamura	D23/233	D746,339 S *	12/2015	Hodgkiss	D15/10
D693,431 S *	11/2013	Tamura	D23/233	9,228,671 B2 *	1/2016	Deperraz	F16K 1/14
D694,363 S *	11/2013	Narita	D23/233	D750,745 S *	3/2016	Sato	D23/233
D694,364 S *	11/2013	Narita	D23/233	D752,181 S *	3/2016	Matsumura	D23/233
D694,365 S *	11/2013	Narita	D23/233	D753,797 S *	4/2016	Suematsu	D23/233
D694,858 S *	12/2013	Narita	D23/233	D753,798 S *	4/2016	Suematsu	D23/233
D698,898 S *	2/2014	Tamura	D23/233	D758,453 S *	6/2016	Ito	D15/10
D698,899 S *	2/2014	Narita	D23/233	2011/0284431 A1 *	11/2011	Ito	B07C 5/3422 209/552
D699,323 S *	2/2014	Narita	D23/233	2013/0118959 A1 *	5/2013	Yamaguchi	B07C 5/3427 209/644
8,662,312 B2 *	3/2014	Ito	B07C 5/3422 209/552	2015/0076042 A1 *	3/2015	Miyamoto	B07C 5/342 209/580

* cited by examiner

FIG. 1

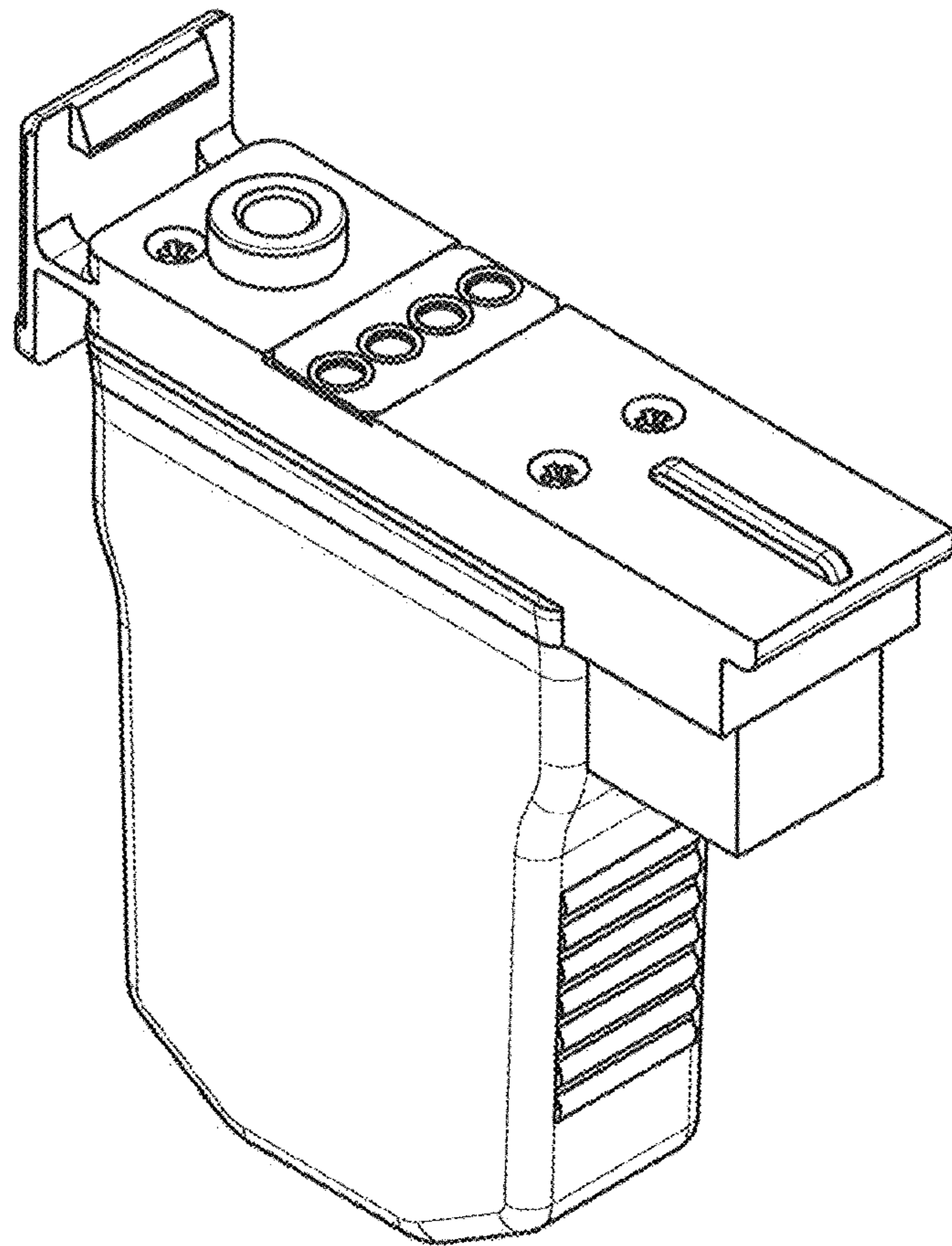


FIG. 2

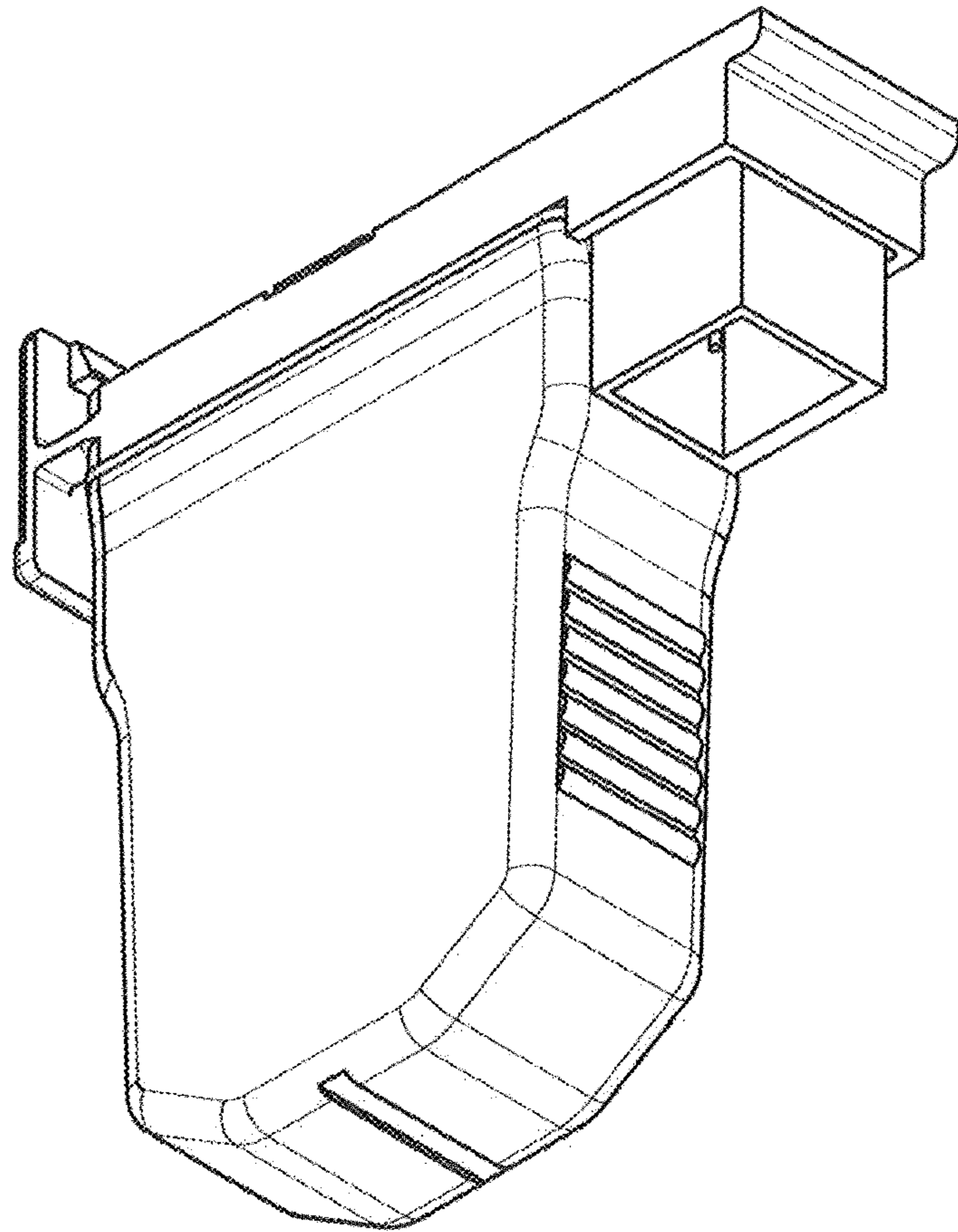


FIG. 3

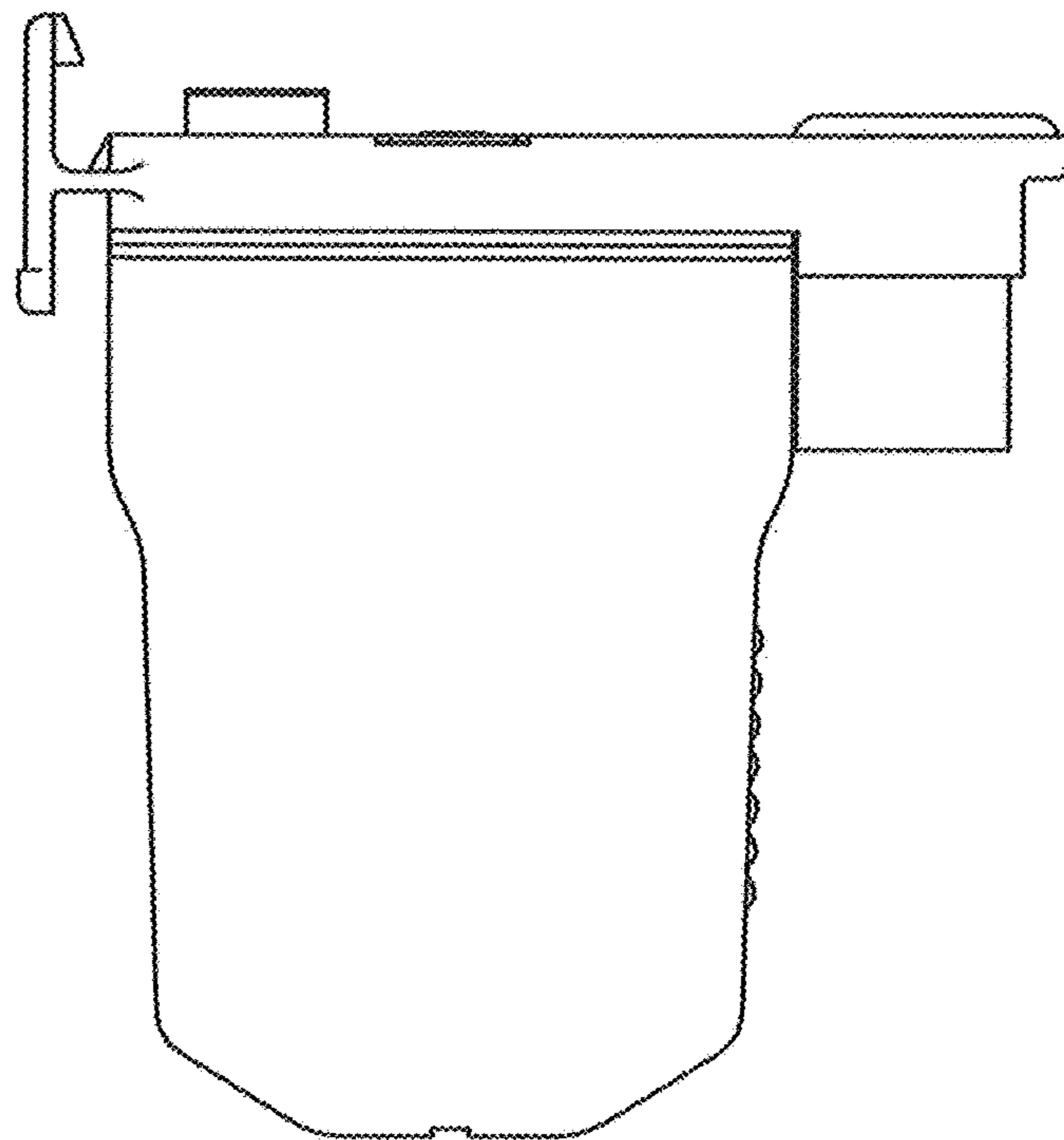


FIG. 4

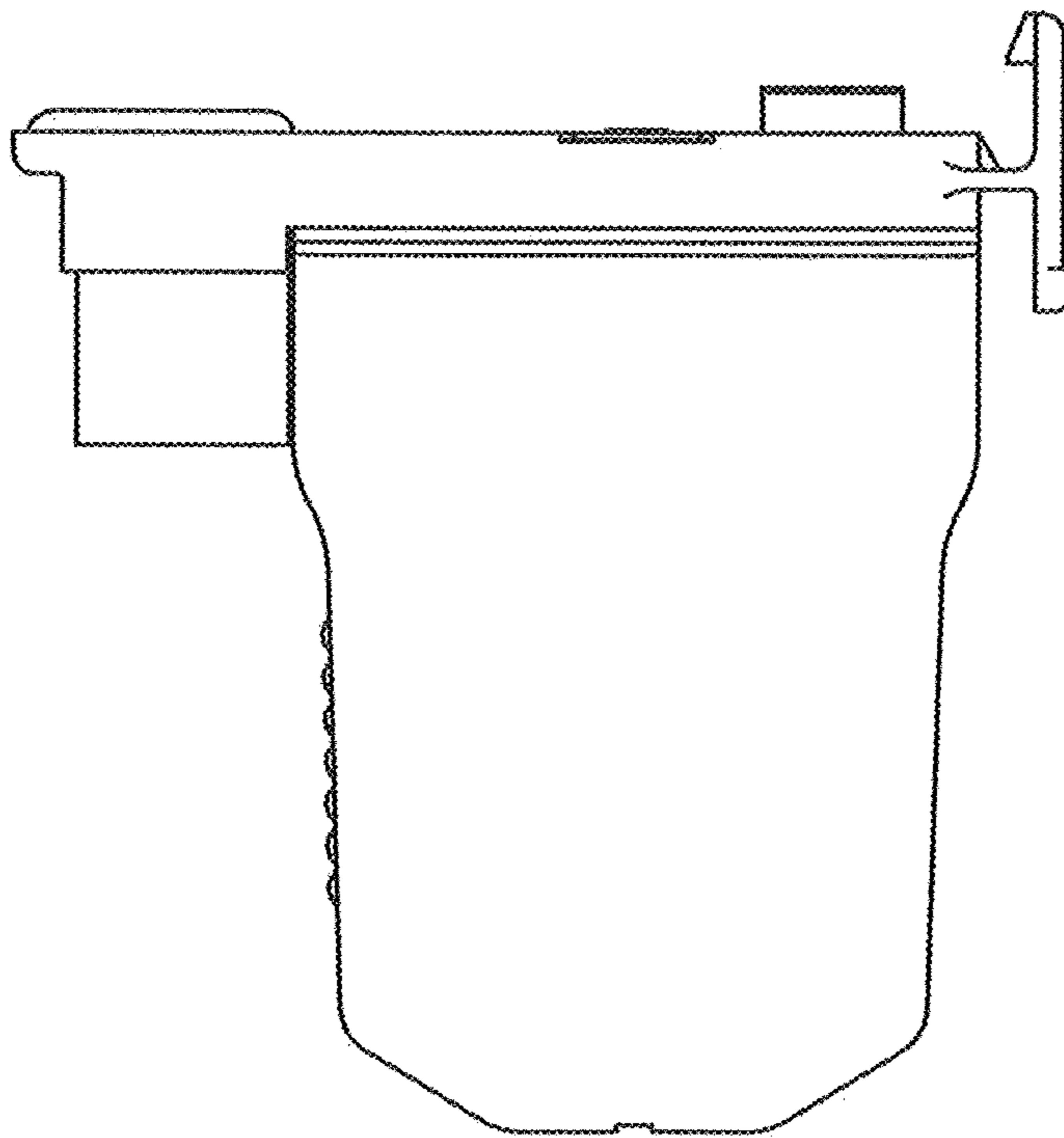


FIG. 5

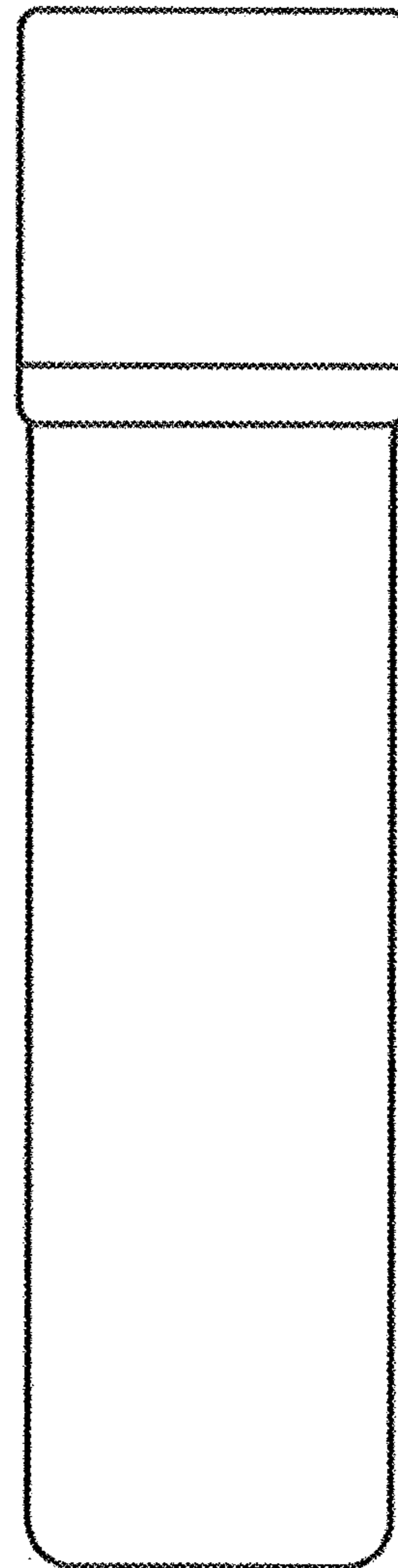


FIG. 6

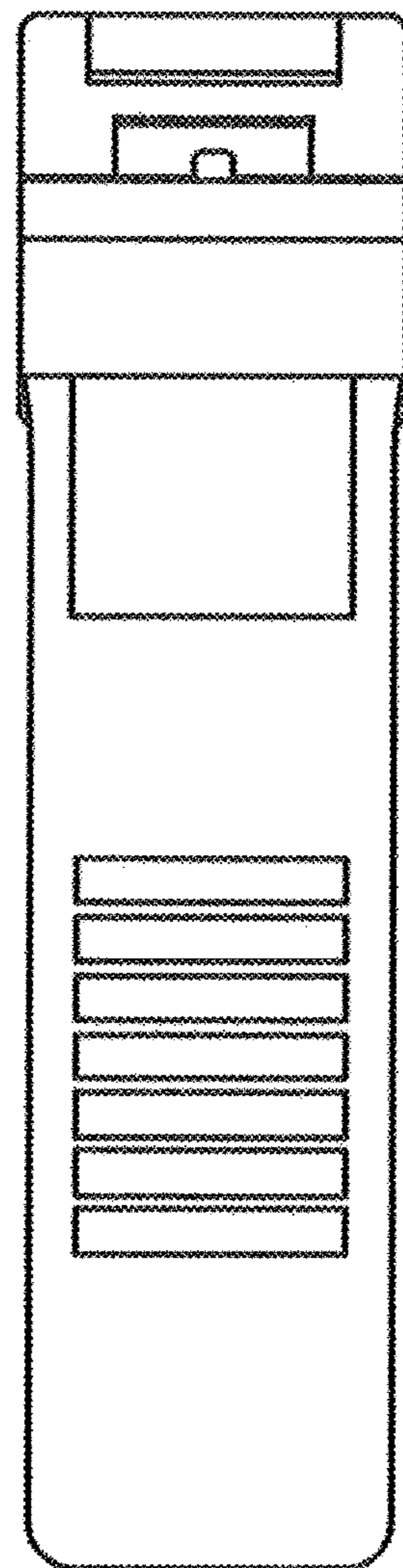


FIG. 7

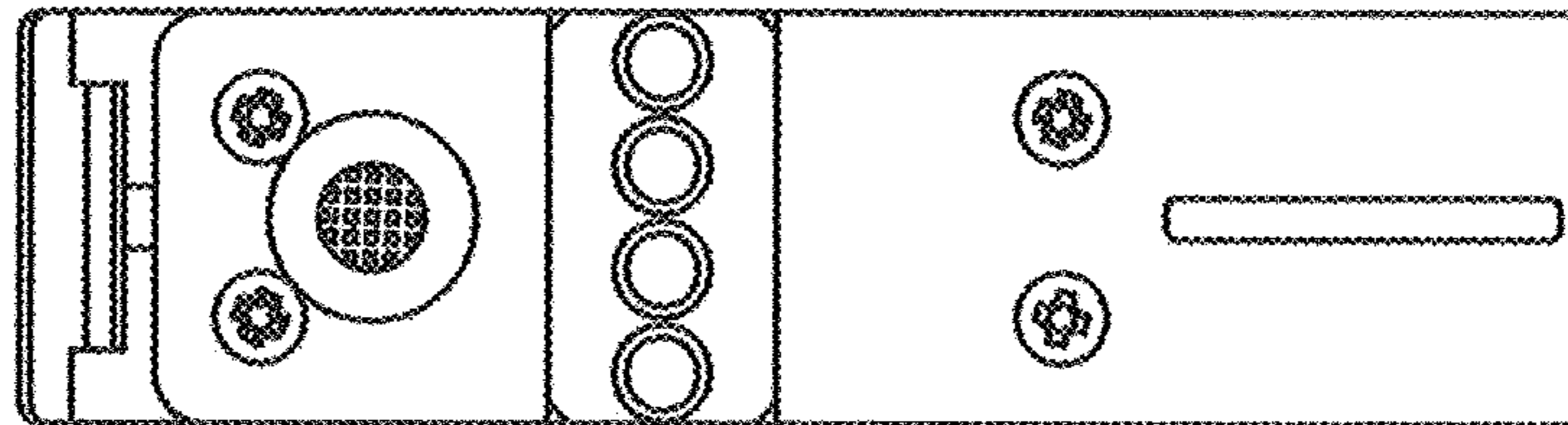


FIG. 8

