



US00D788265S

(12) **United States Design Patent**
Ho

(10) **Patent No.:** **US D788,265 S**

(45) **Date of Patent:** **** May 30, 2017**

(54) **FAUCET SPOUT**

(71) Applicant: **Chin-Hua Ho**, Changhua (TW)

(72) Inventor: **Chin-Hua Ho**, Changhua (TW)

(73) Assignee: **Chyi Liou Enterprise Co., Ltd.**,
Changhua (TW)

(**) Term: **15 Years**

(21) Appl. No.: **29/567,755**

(22) Filed: **Jun. 13, 2016**

(51) **LOC (10) Cl.** **23-01**

(52) **U.S. Cl.**
USPC **D23/226**

(58) **Field of Classification Search**
USPC D23/213, 223, 226
CPC B05B 1/10; B05B 1/18; B05B 9/01
See application file for complete search history.

(56) **References Cited**

U.S. PATENT DOCUMENTS

D348,505 S *	7/1994	Bosio	D23/223
D415,822 S *	10/1999	Ouyoung	D23/226
D441,052 S *	4/2001	Lu	D23/226
D473,287 S *	4/2003	Hsu	D23/223
D524,907 S *	7/2006	Bosch	D23/223
D563,504 S *	3/2008	Fritz	D23/226

D568,440 S *	5/2008	Pan	D23/223
D639,909 S *	6/2011	Pendleton	D23/226
D641,068 S *	7/2011	Pendleton	D23/226
D765,225 S *	8/2016	Rexach	D23/226

* cited by examiner

Primary Examiner — Robin V Webster

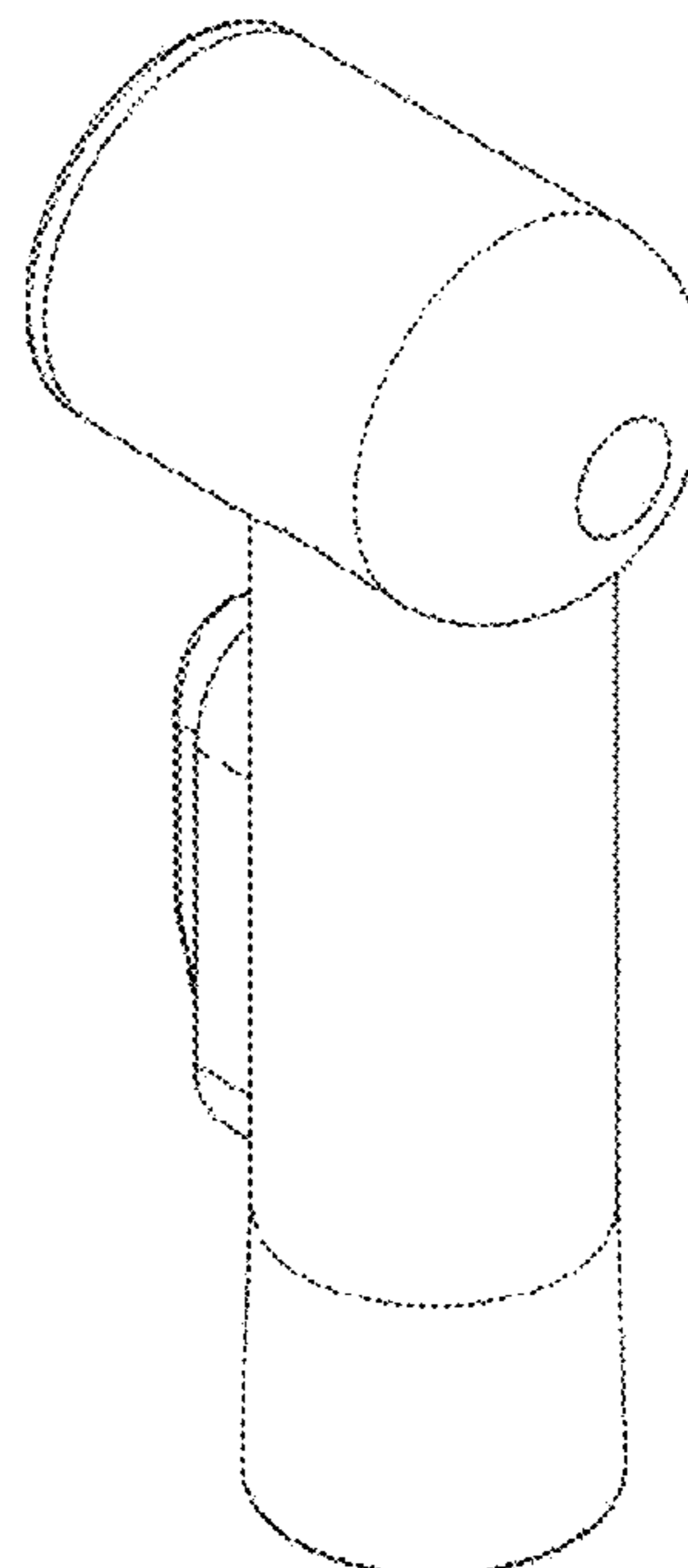
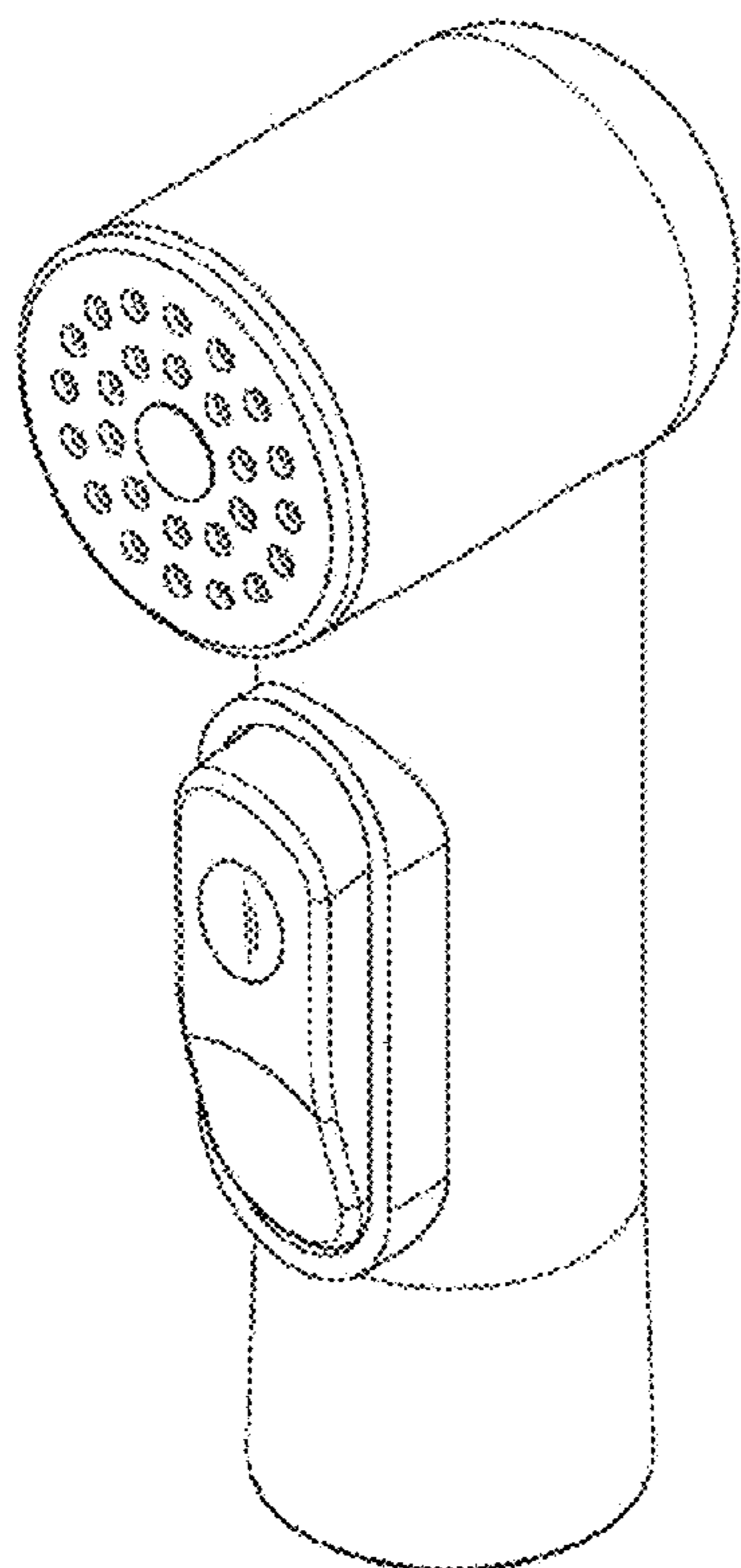
(57) **CLAIM**

The ornamental design for a faucet spout, as shown and described.

DESCRIPTION

FIG. 1 is a perspective view of a faucet spout showing my new design;
 FIG. 2 is another perspective view of the faucet spout;
 FIG. 3 is a front elevational view thereof;
 FIG. 4 is a rear elevational view thereof;
 FIG. 5 is a left side view thereof;
 FIG. 6 is a right side view thereof;
 FIG. 7 is a top plan view thereof;
 FIG. 8 is a bottom plan view thereof;
 FIG. 9 is an environmental view showing the faucet spout mounted on a sink deck; and,
 FIG. 10 is another environmental view showing the faucet spout being pulled out of the sink deck a distance in use. The broken line showing of a portion of the spout in FIG. 8 and environment in FIGS. 9 and 10 is included for the purpose of illustrating and forms no part of the claimed design.

1 Claim, 6 Drawing Sheets



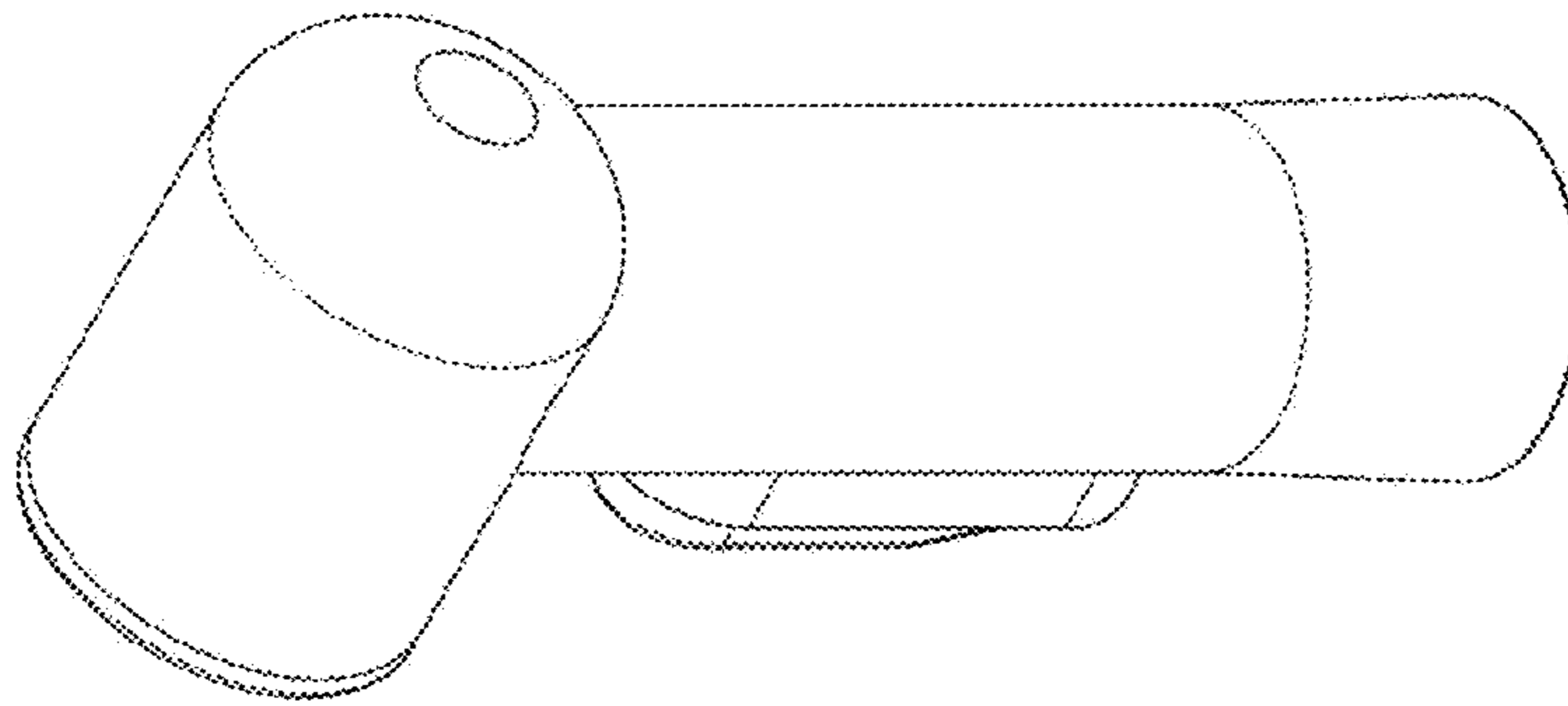


FIG. 2

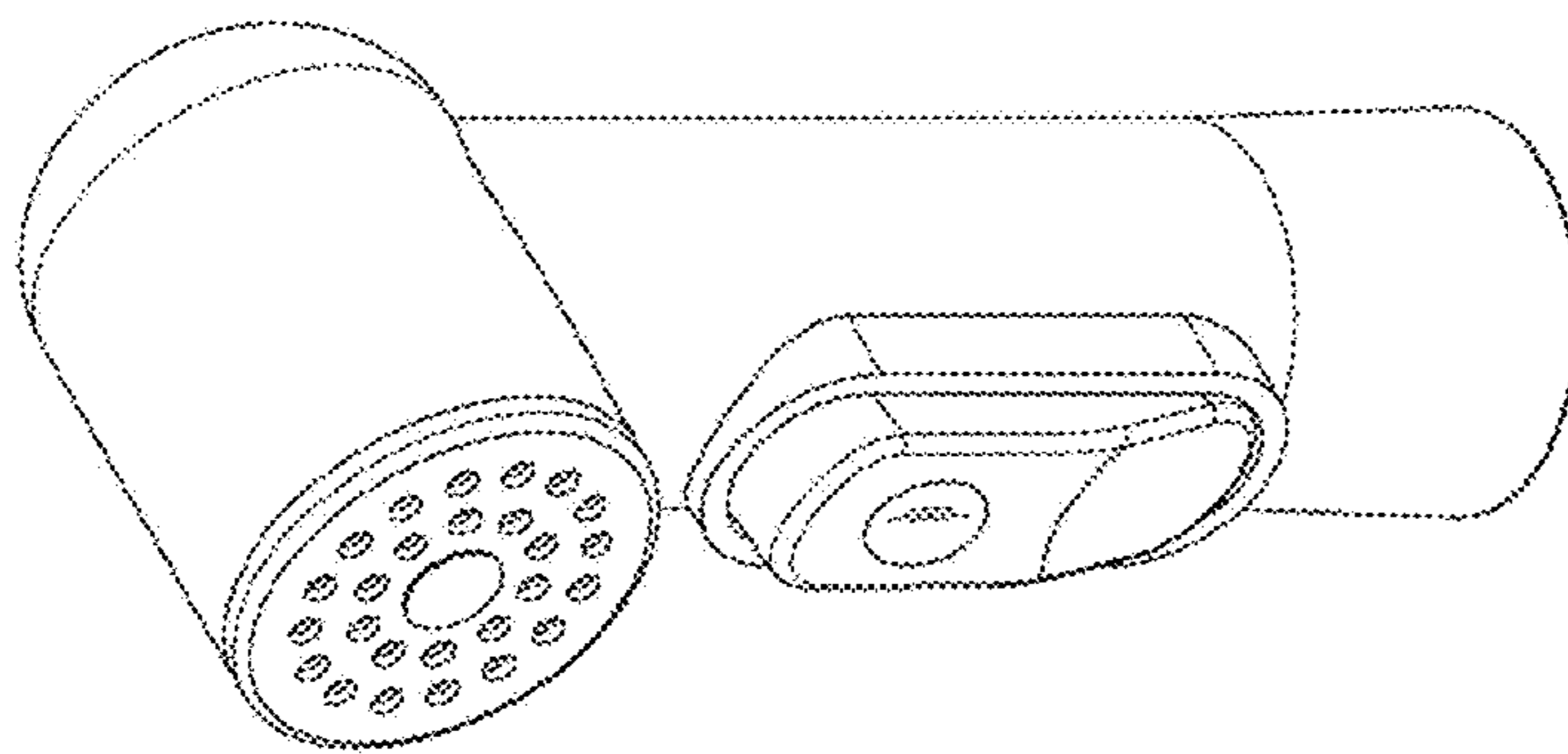


FIG. 1

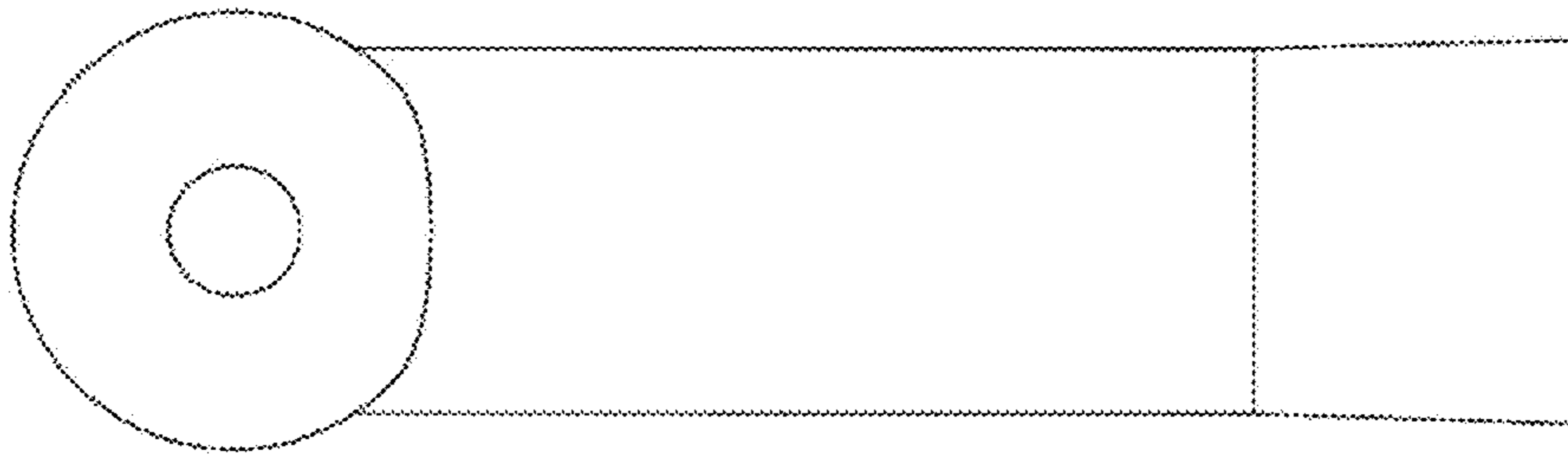


FIG. 4

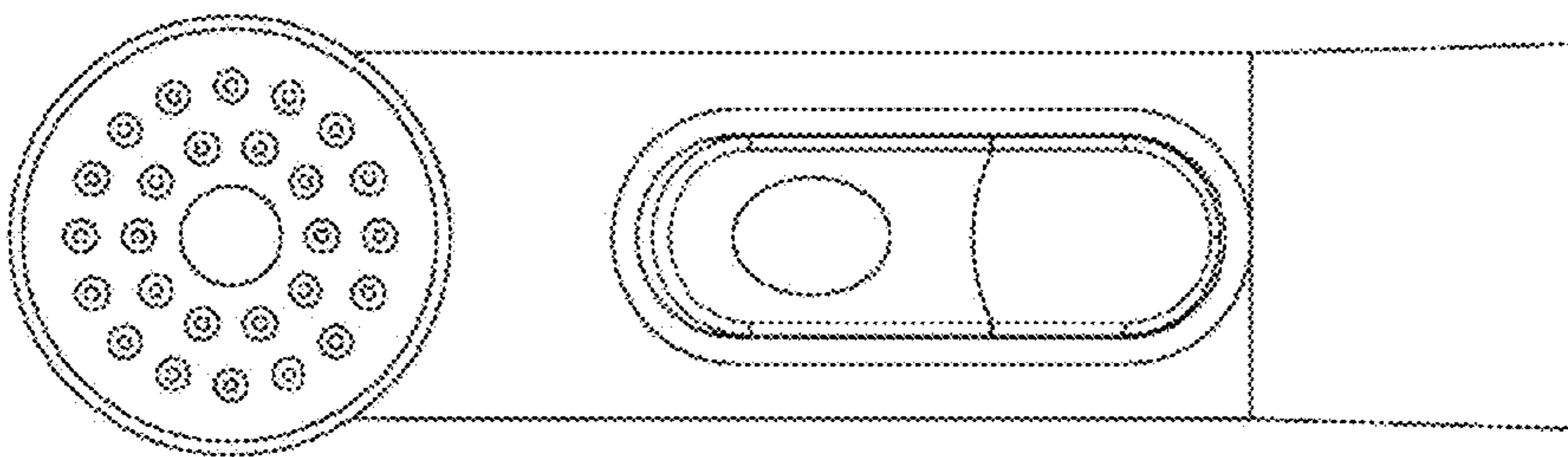


FIG. 3

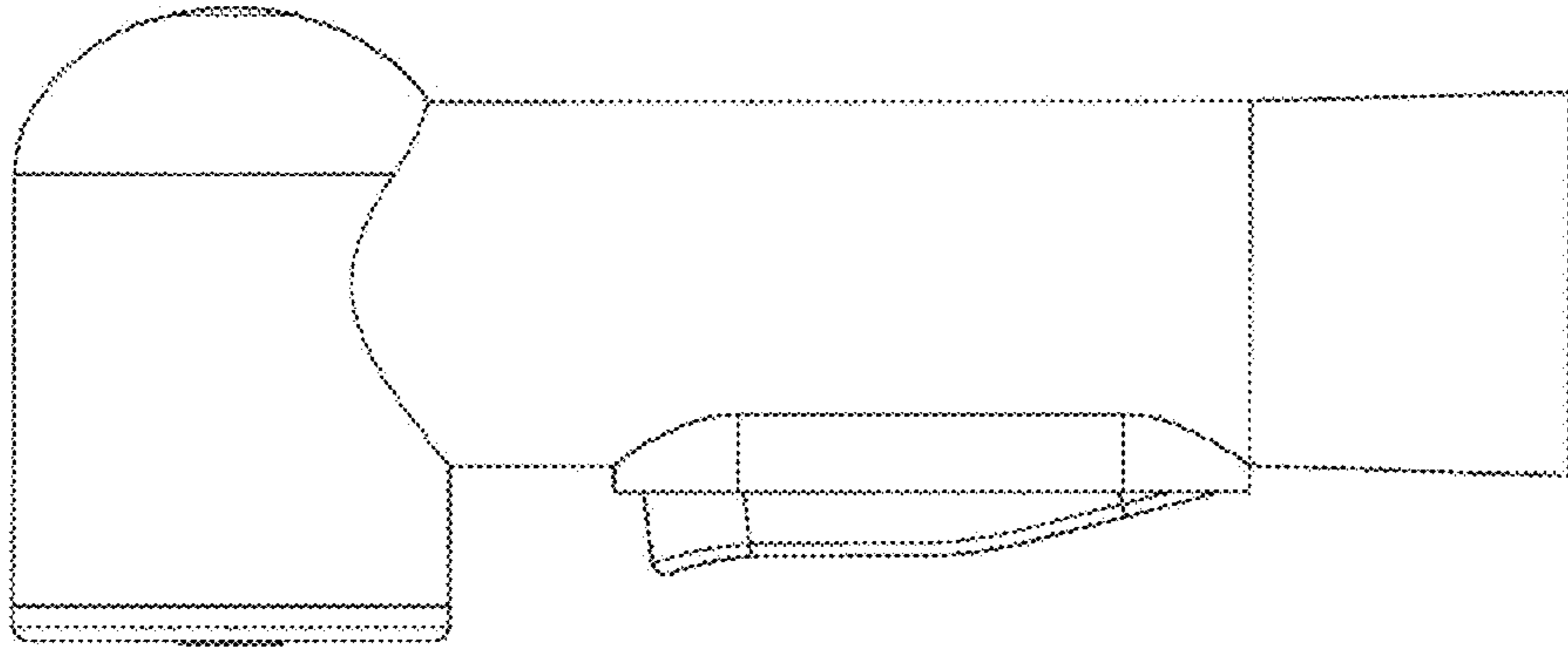


FIG. 6

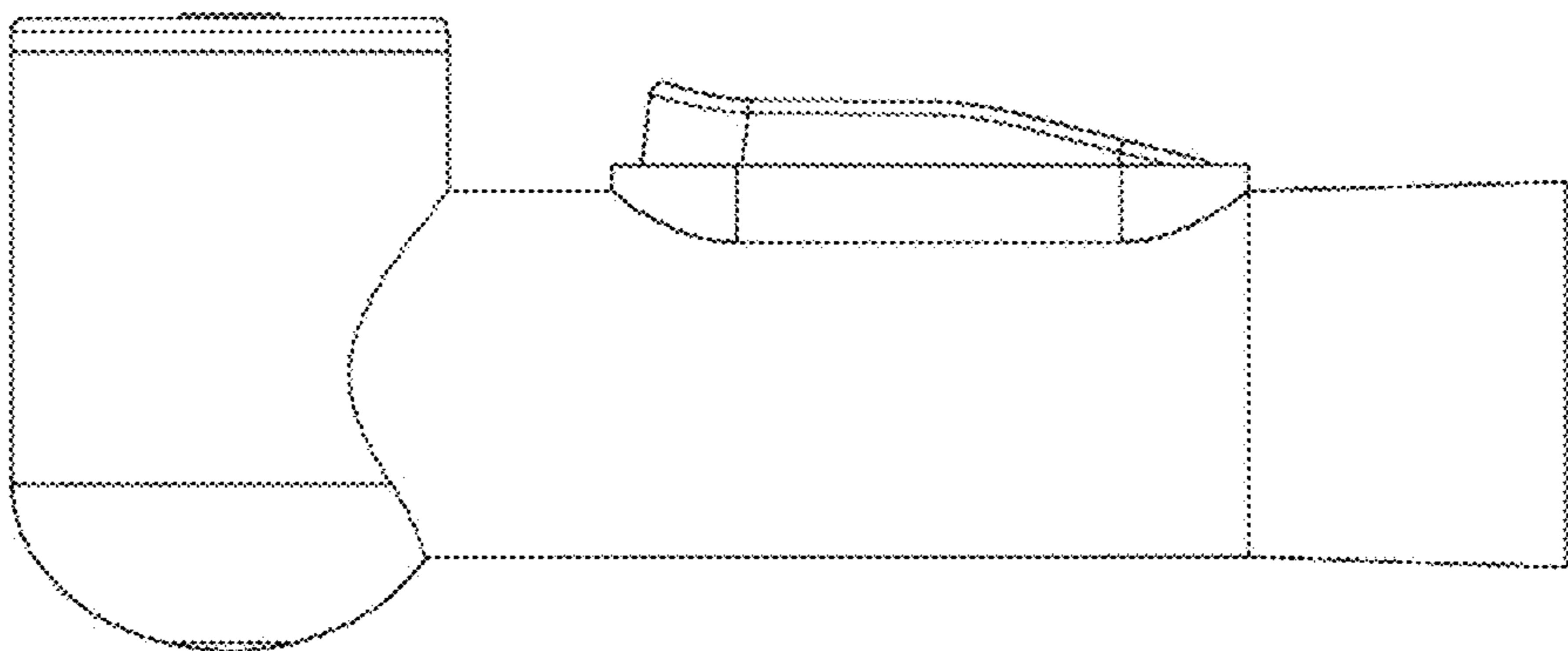


FIG. 5

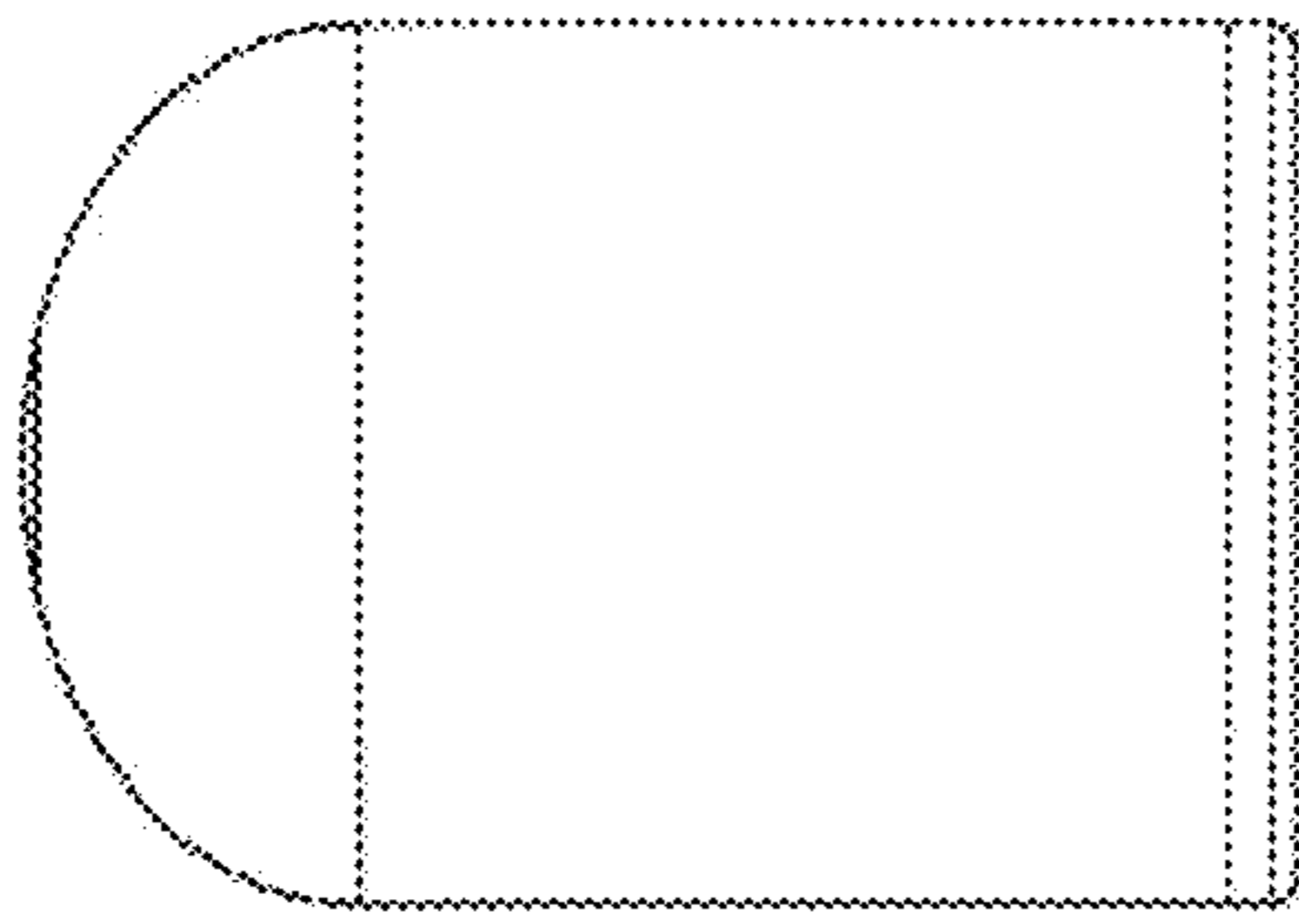


FIG. 7

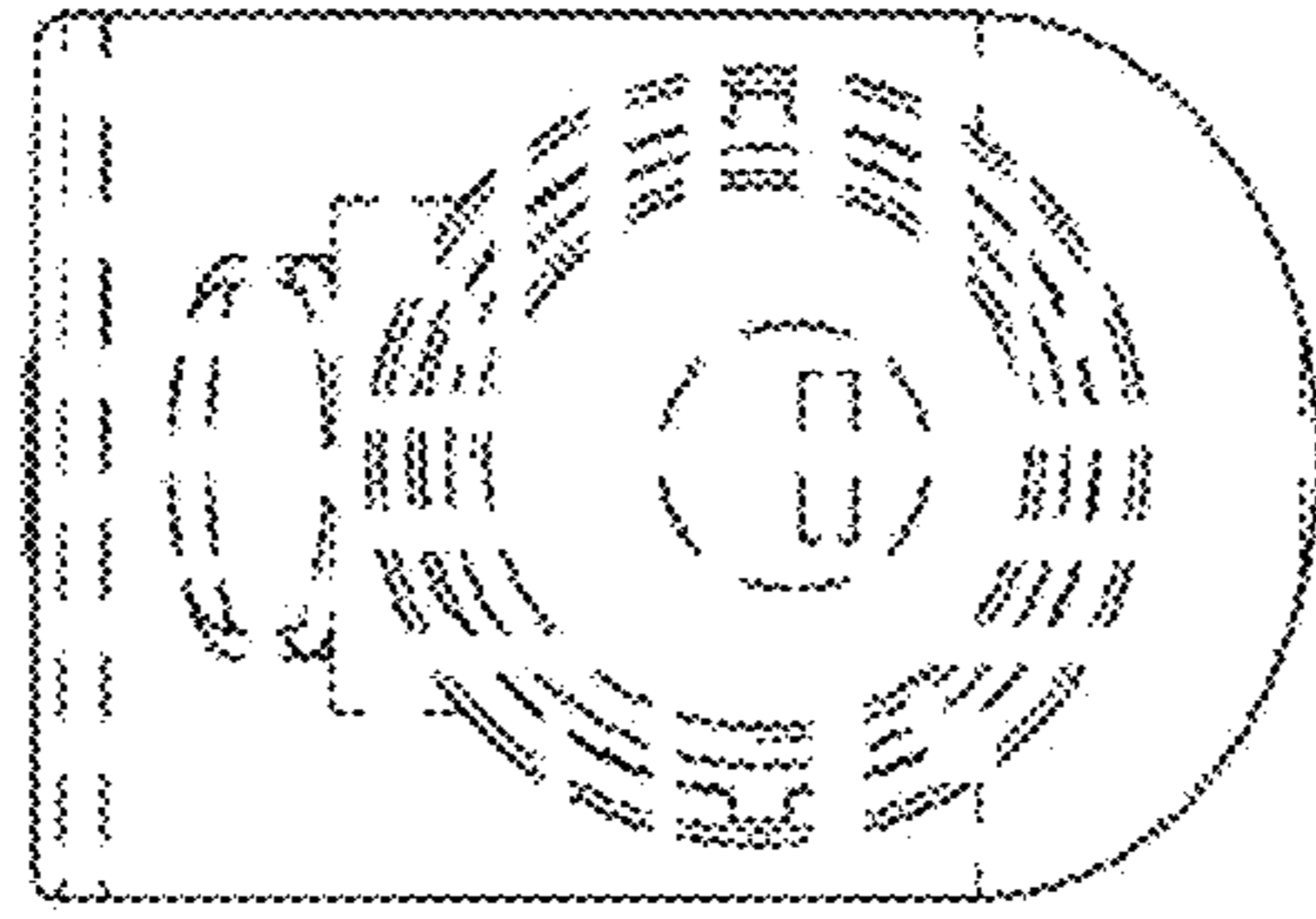


FIG. 8

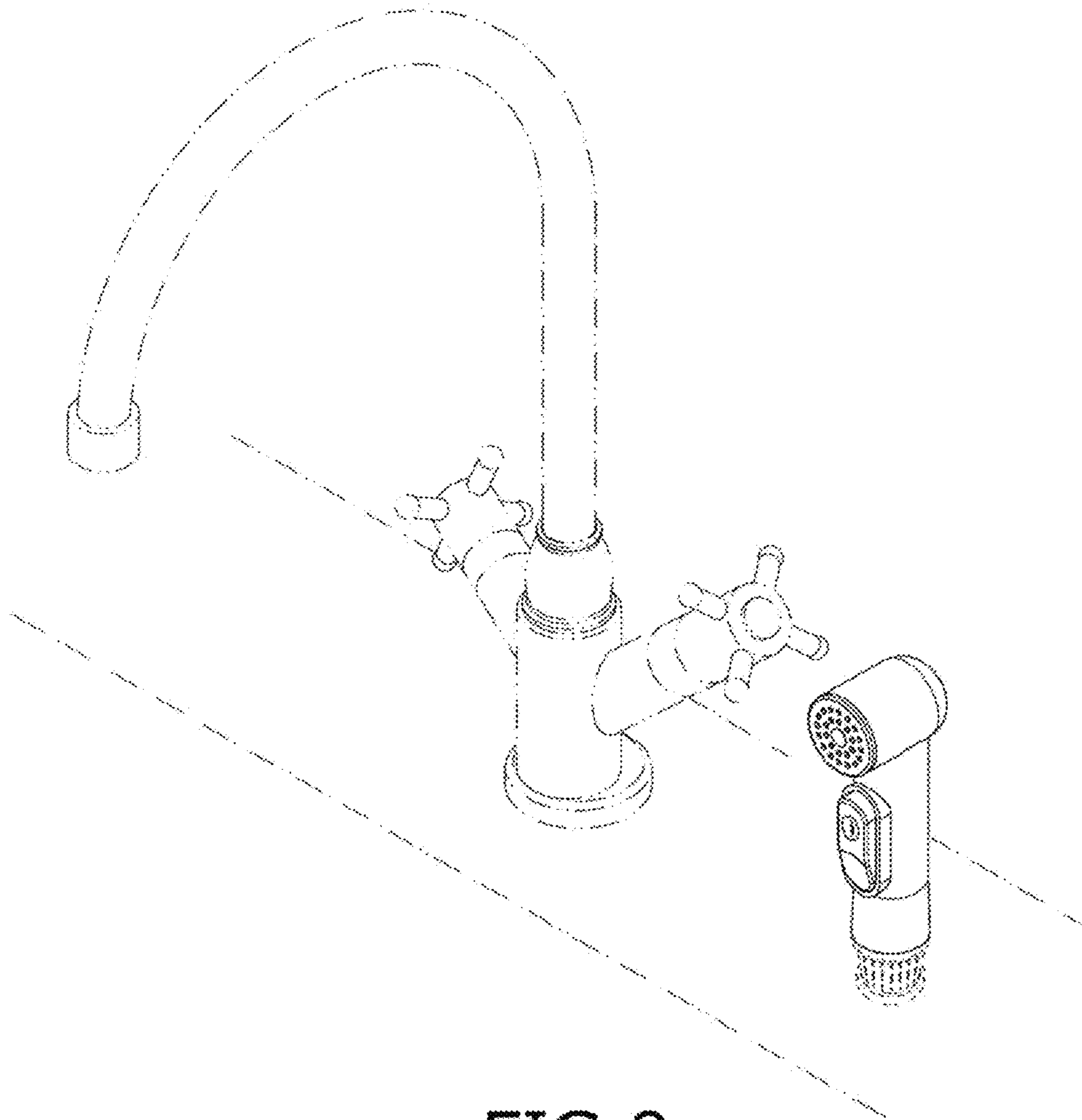


FIG. 9

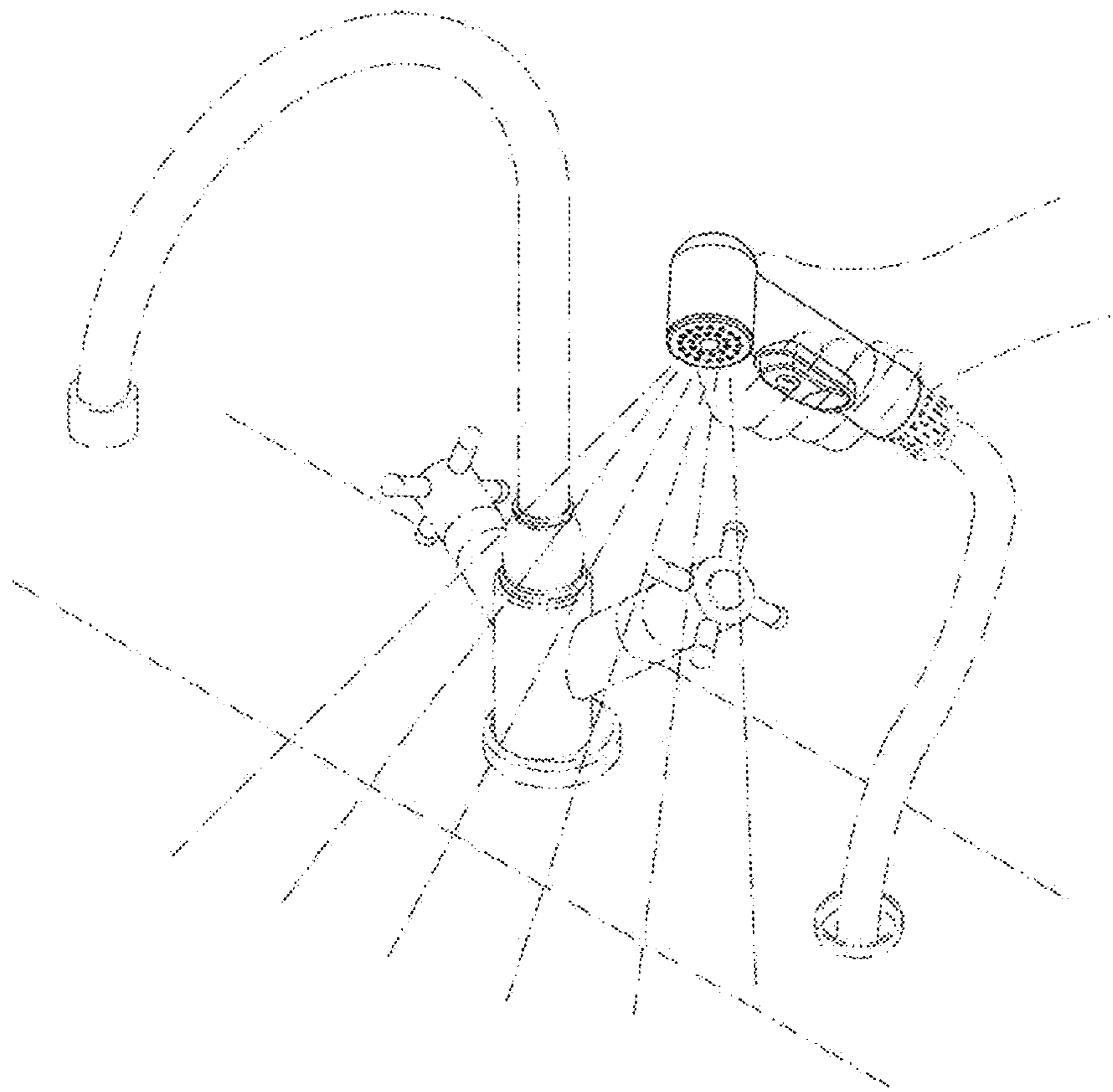


FIG. 10