



US00D788264S

(12) **United States Design Patent**  
**Stein**

(10) **Patent No.:** **US D788,264 S**

(45) **Date of Patent:** **\*\* May 30, 2017**

(54) **FAUCET STREAM STRAIGHTENER**

(71) Applicant: **Neoperl GmbH**, Mullheim (DE)

(72) Inventor: **Alexander Stein**, Ihringen (DE)

(73) Assignee: **Neoperl GmbH**, Müllheim (DE)

(\*\*) Term: **15 Years**

(21) Appl. No.: **29/533,077**

(22) Filed: **Jul. 14, 2015**

(30) **Foreign Application Priority Data**

Mar. 3, 2015 (WO) ..... DM/086383

(51) **LOC (10) Cl.** ..... **23-01**

(52) **U.S. Cl.**  
USPC ..... **D23/213**

(58) **Field of Classification Search**  
USPC ..... D23/213, 249; 239/428.5, 437;  
261/DIG. 22  
CPC ..... E03C 1/084  
See application file for complete search history.

(56) **References Cited**

**U.S. PATENT DOCUMENTS**

- 7,374,366 B2 \* 5/2008 Tasi ..... E03C 1/084  
210/456
- D684,241 S \* 6/2013 Tempel ..... D23/213
- D691,238 S \* 10/2013 Grether ..... D23/213
- 9,016,602 B2 \* 4/2015 Grether ..... E03C 1/08  
239/428.5
- D728,739 S \* 5/2015 Blum ..... D23/213
- D728,740 S \* 5/2015 Tempel ..... D23/213
- 9,114,414 B2 \* 8/2015 Stein ..... E03C 1/084
- 9,249,564 B2 \* 2/2016 Zoller ..... E03C 1/084
- D752,710 S \* 3/2016 Tempel ..... D23/213

D754,282 S \* 4/2016 Blum ..... D23/213  
9,416,522 B2 \* 8/2016 Tempel ..... B05B 1/3033

\* cited by examiner

*Primary Examiner* — Robin V Webster

(74) *Attorney, Agent, or Firm* — Volpe and Koenig, P.C.

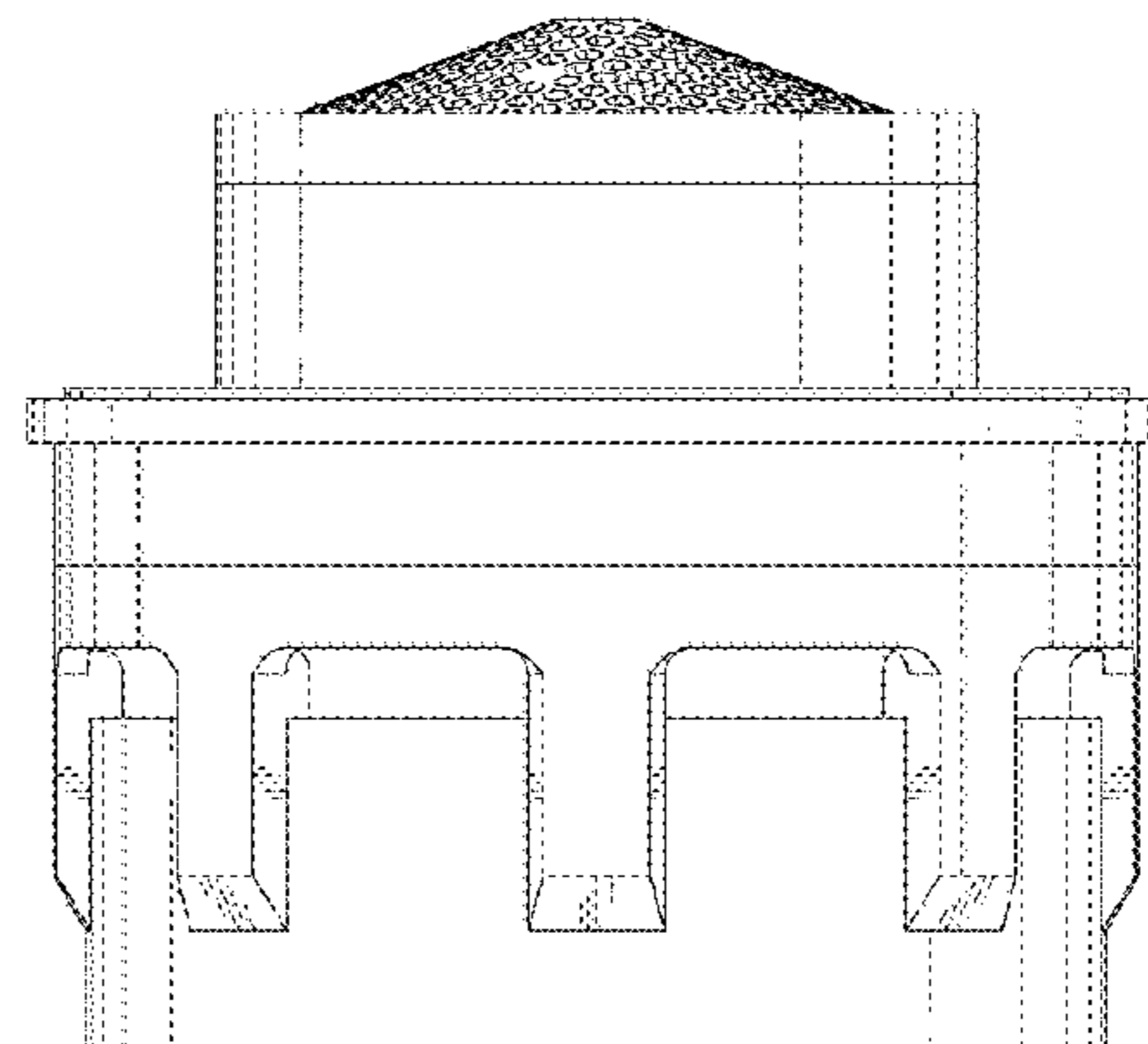
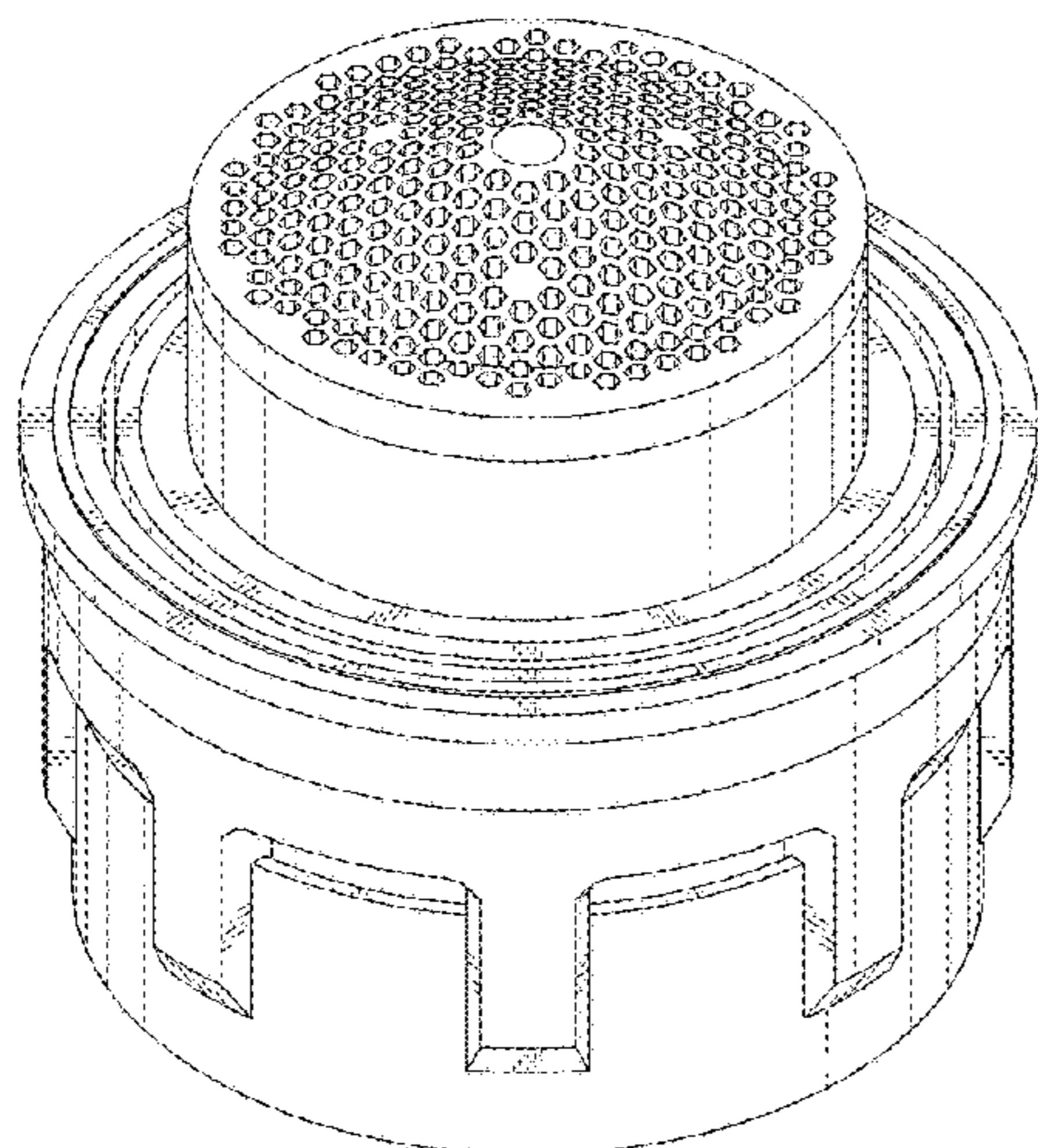
(57) **CLAIM**

I claim the ornamental design for a faucet stream straightener, as shown and described.

**DESCRIPTION**

FIG. 1 is a top plan view of a first embodiment of a faucet straightener in accordance with my design;  
 FIG. 2 is a top, front, left, perspective view thereof;  
 FIG. 3 is a bottom plan view thereof;  
 FIG. 4 is a bottom, right, rear perspective view thereof;  
 FIG. 5 is a front elevational view thereof;  
 FIG. 6 is a right side elevational view thereof;  
 FIG. 7 is a left side elevational view thereof; and  
 FIG. 8 is a rear elevational view thereof;  
 FIG. 9 is a top plan view of a second embodiment of a faucet stream straightener in accordance with my design;  
 FIG. 10 is a top, front, left perspective view thereof;  
 FIG. 11 is a bottom plan view thereof;  
 FIG. 12 is a bottom, right, rear perspective view thereof;  
 FIG. 13 is a front elevational view thereof;  
 FIG. 14 is a right side elevational view thereof;  
 FIG. 15 is a left side elevational view thereof; and  
 FIG. 16 is a rear elevational view thereof;  
 FIG. 17 is a top plan view of a third embodiment of a faucet straightener in accordance with my design;  
 FIG. 18 is a top, front, left perspective view thereof;  
 FIG. 19 is a bottom plan view thereof;  
 FIG. 20 is a bottom, right, rear perspective view thereof;  
 FIG. 21 is a front elevational view thereof;  
 FIG. 22 is a right side elevational view thereof;  
 FIG. 23 is a left side elevational view thereof; and,  
 FIG. 24 is a rear elevational view thereof.

**1 Claim, 24 Drawing Sheets**



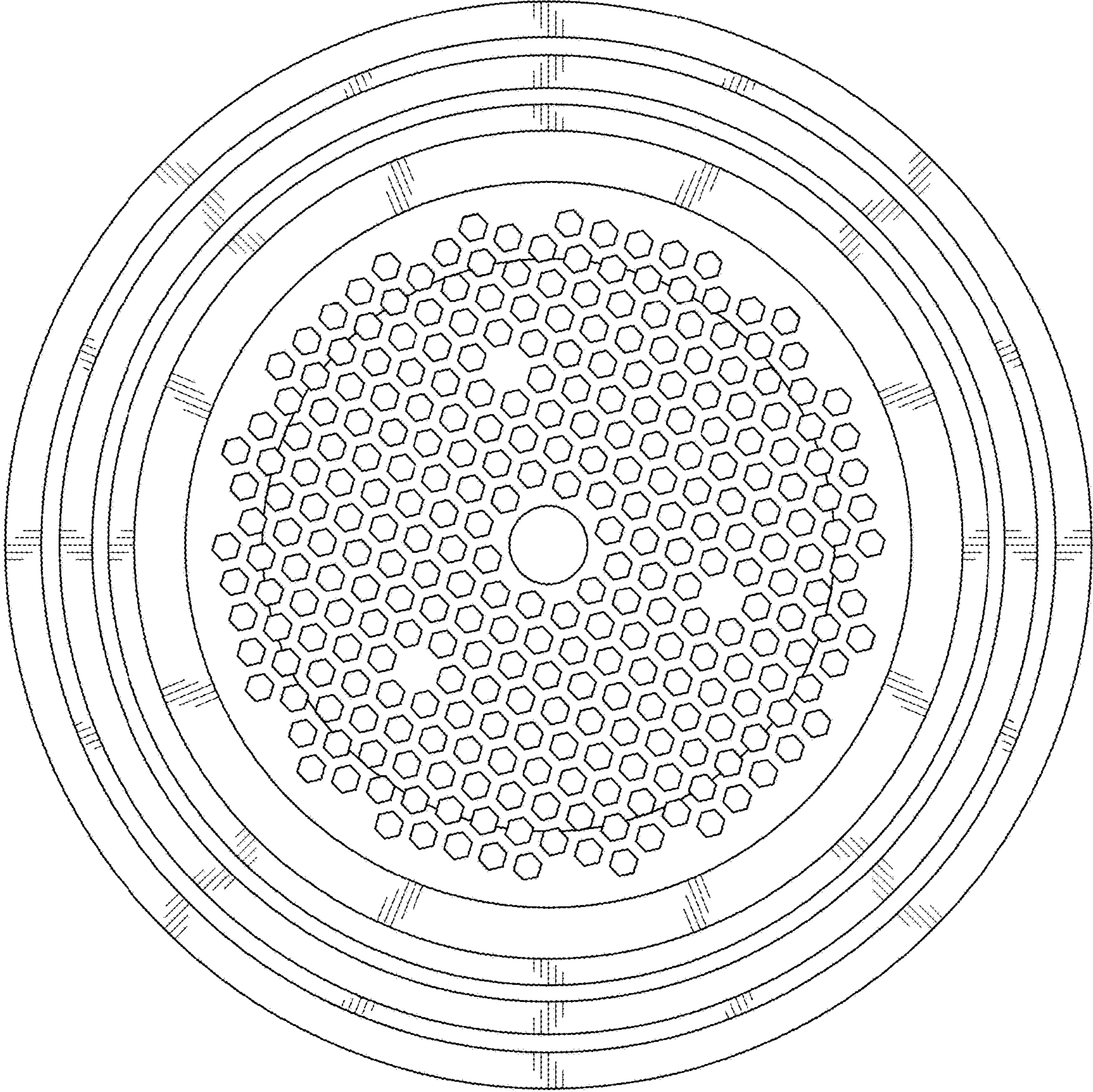


Fig. 1



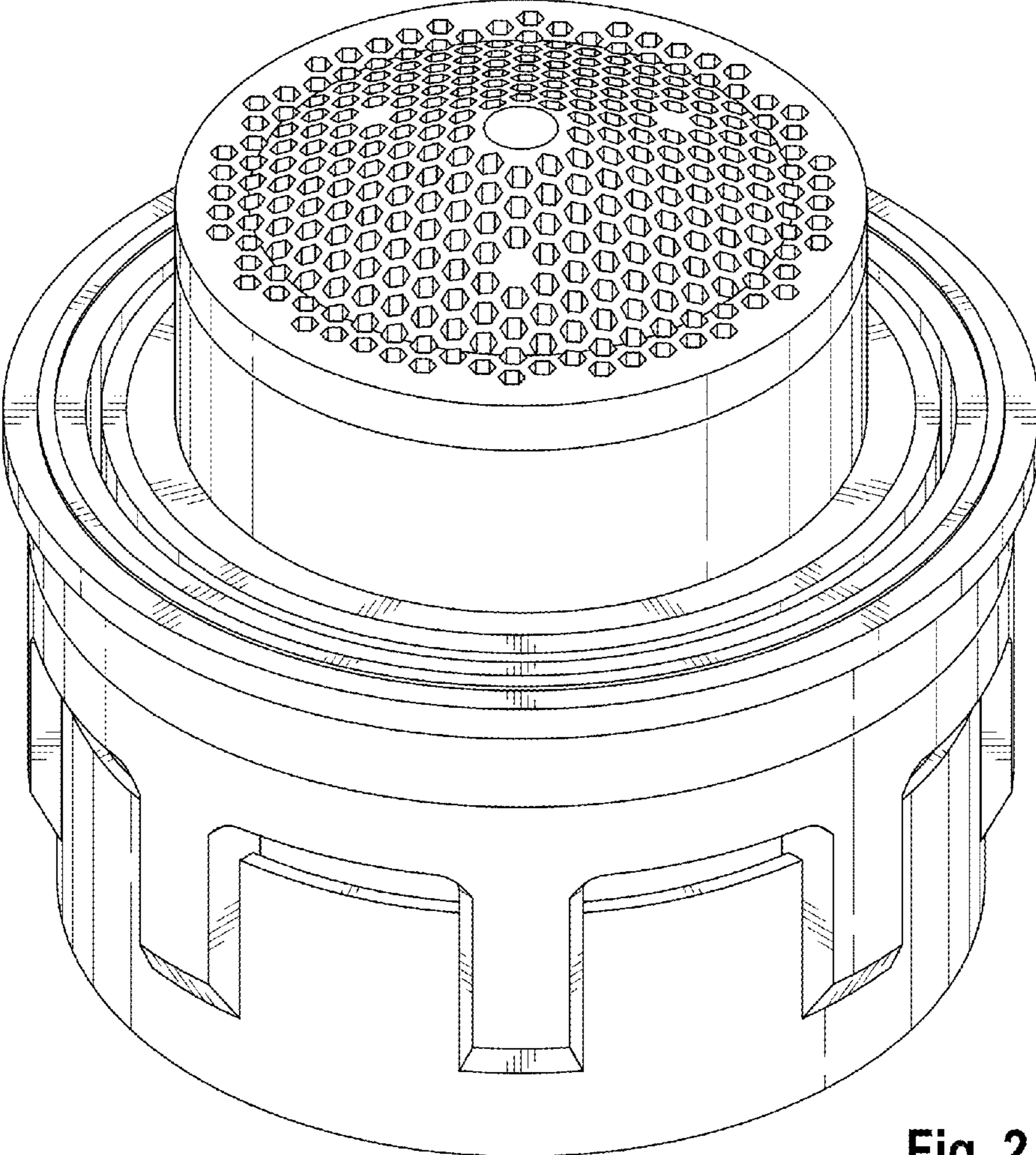


Fig. 2

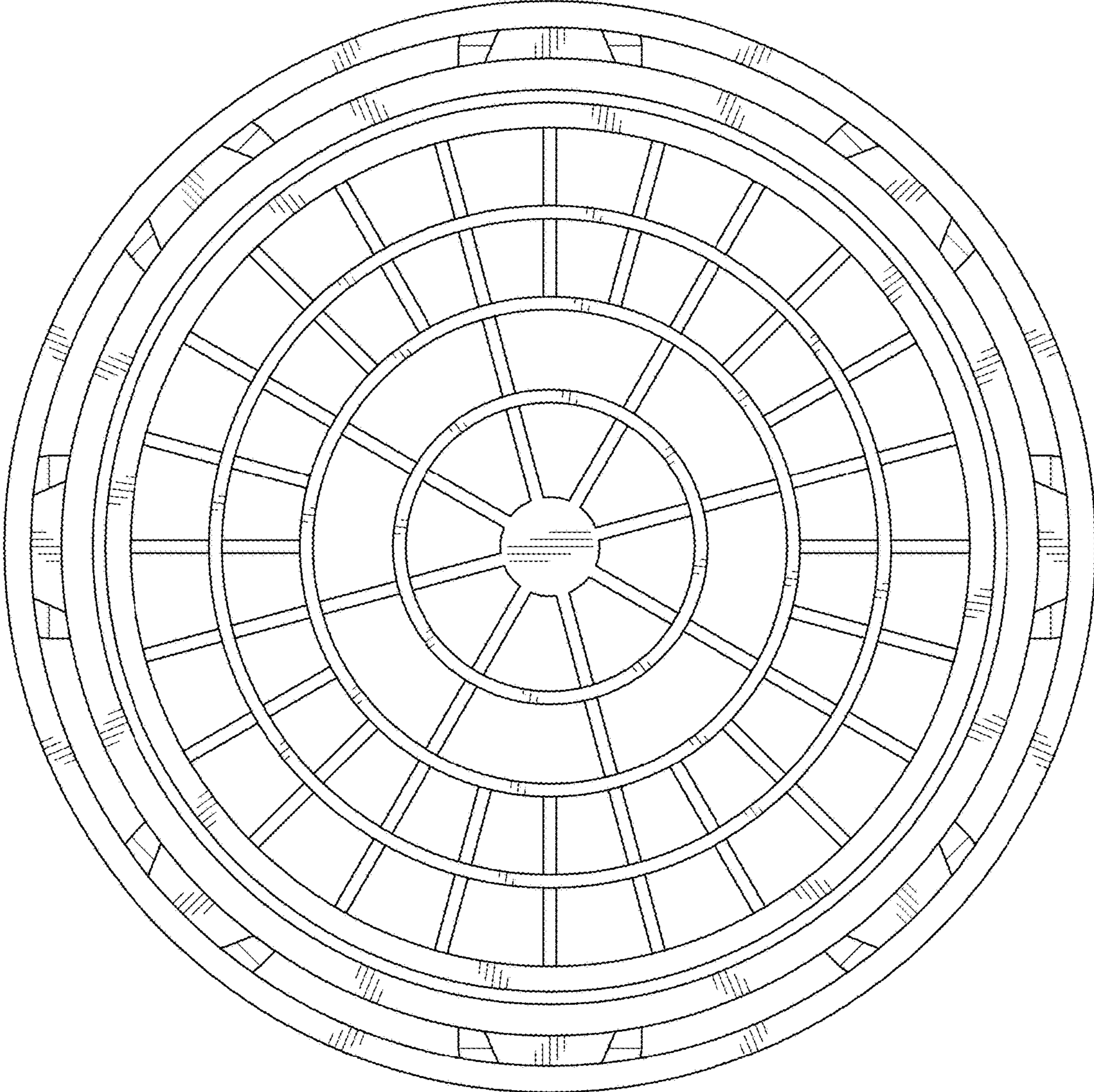


Fig. 3



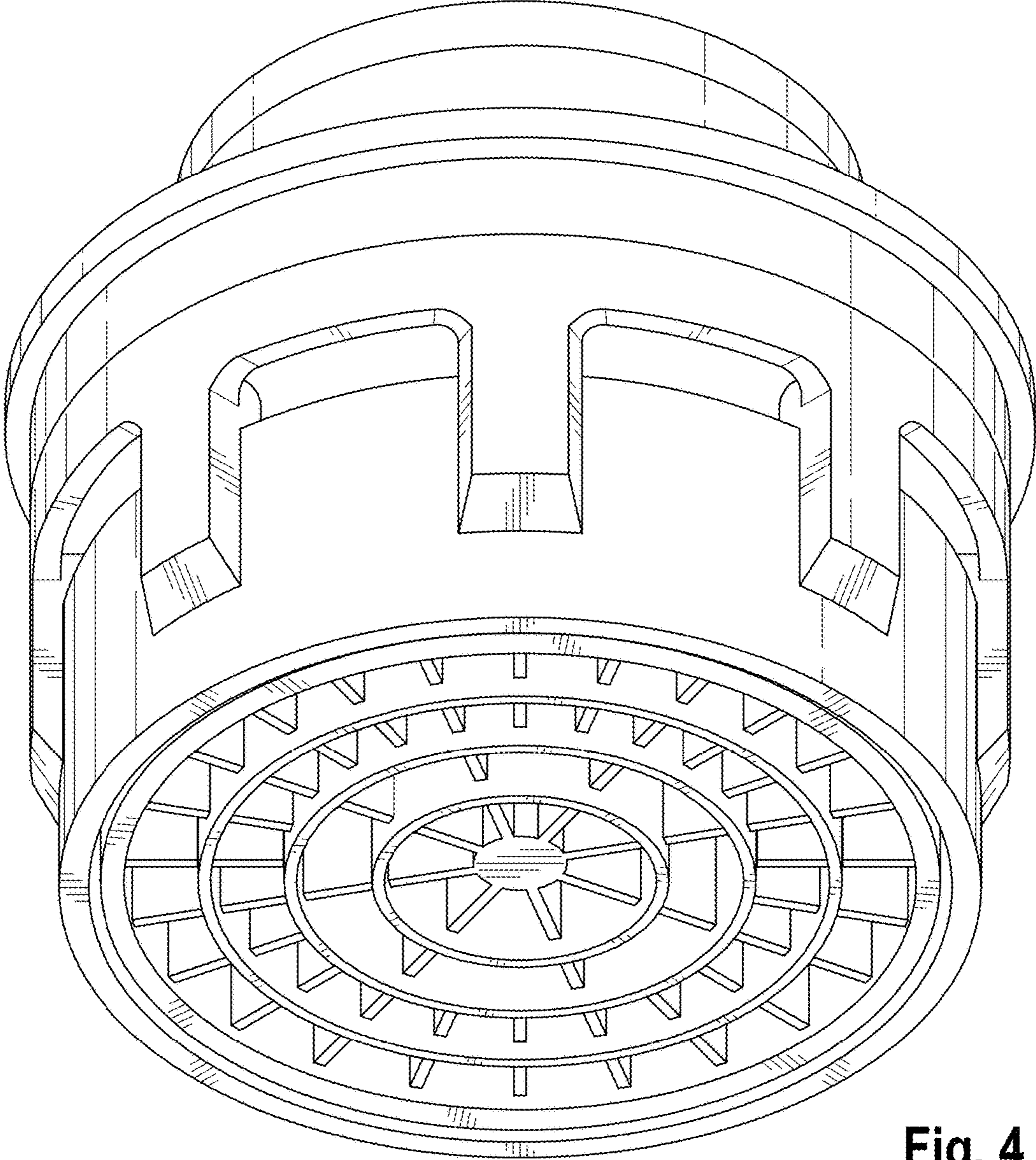


Fig. 4

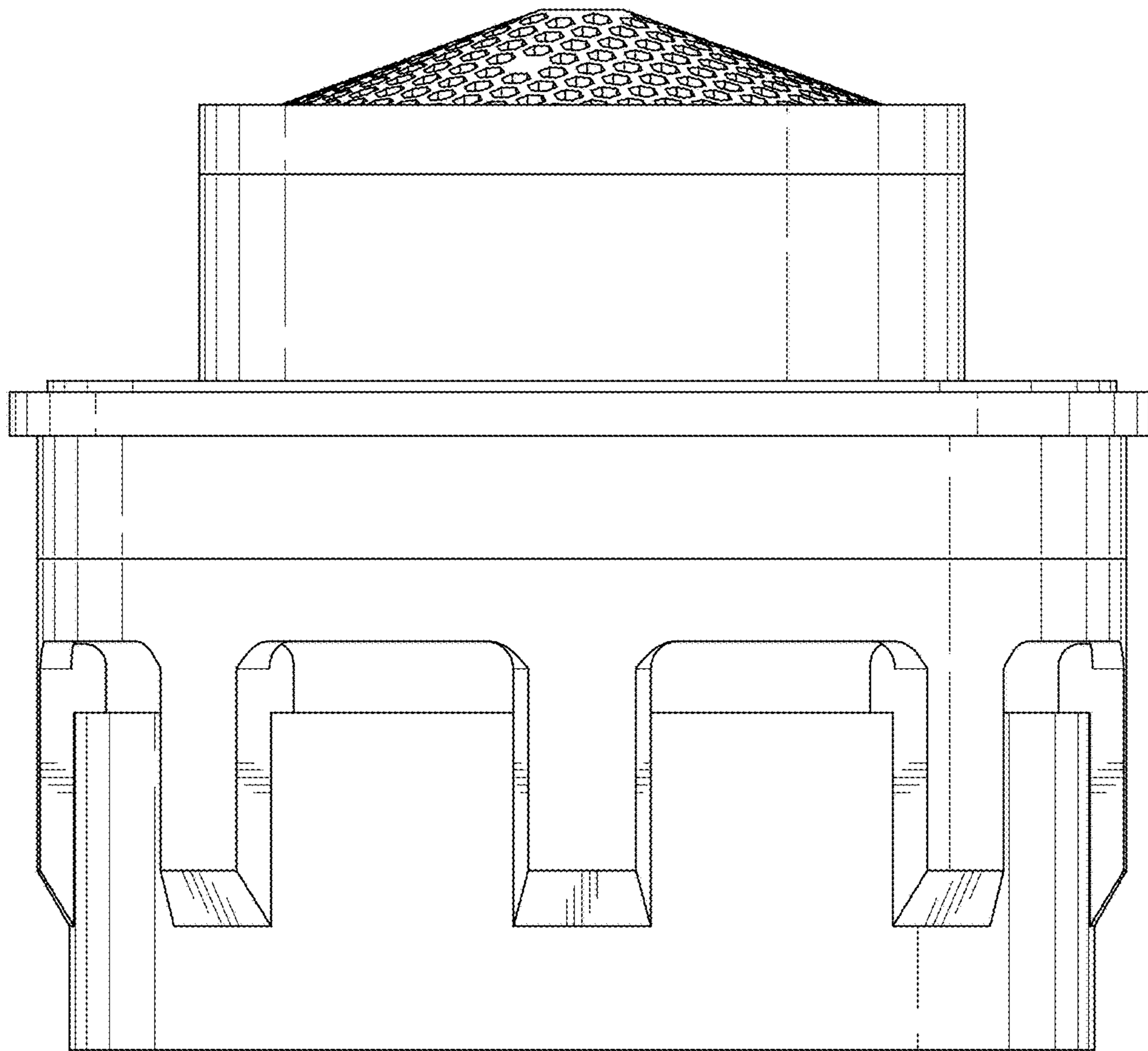


Fig. 5

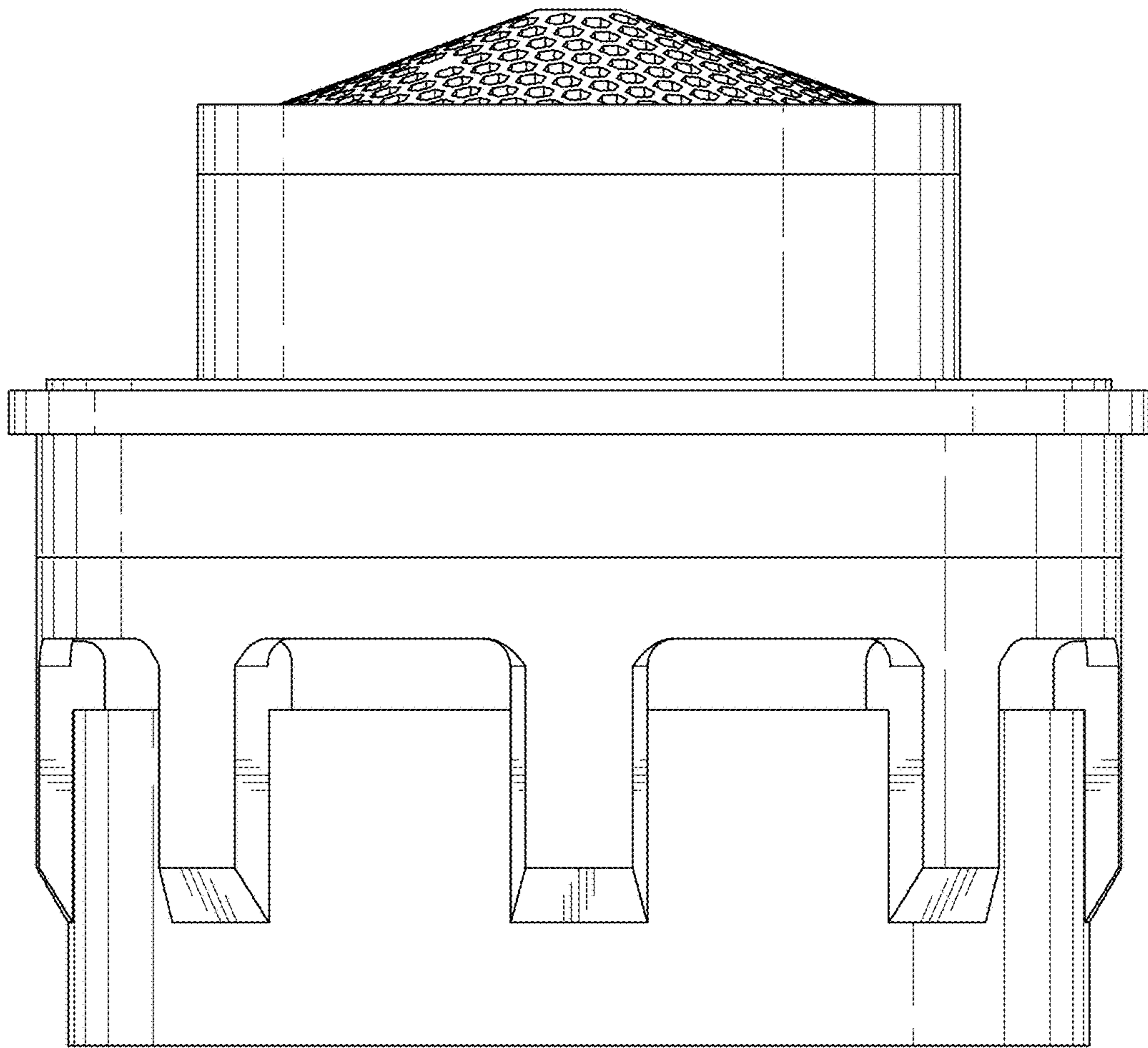


Fig. 6

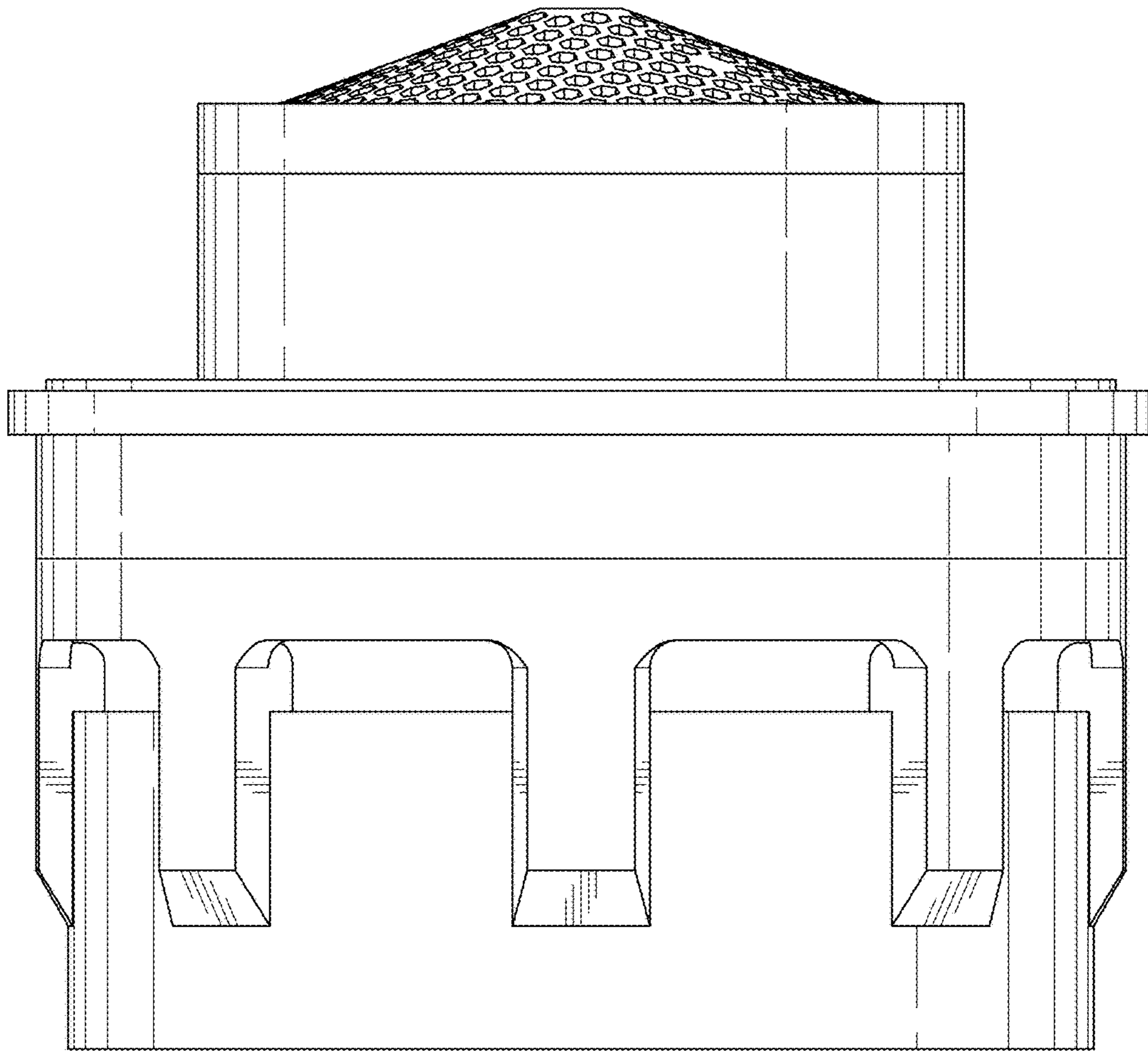


Fig. 7



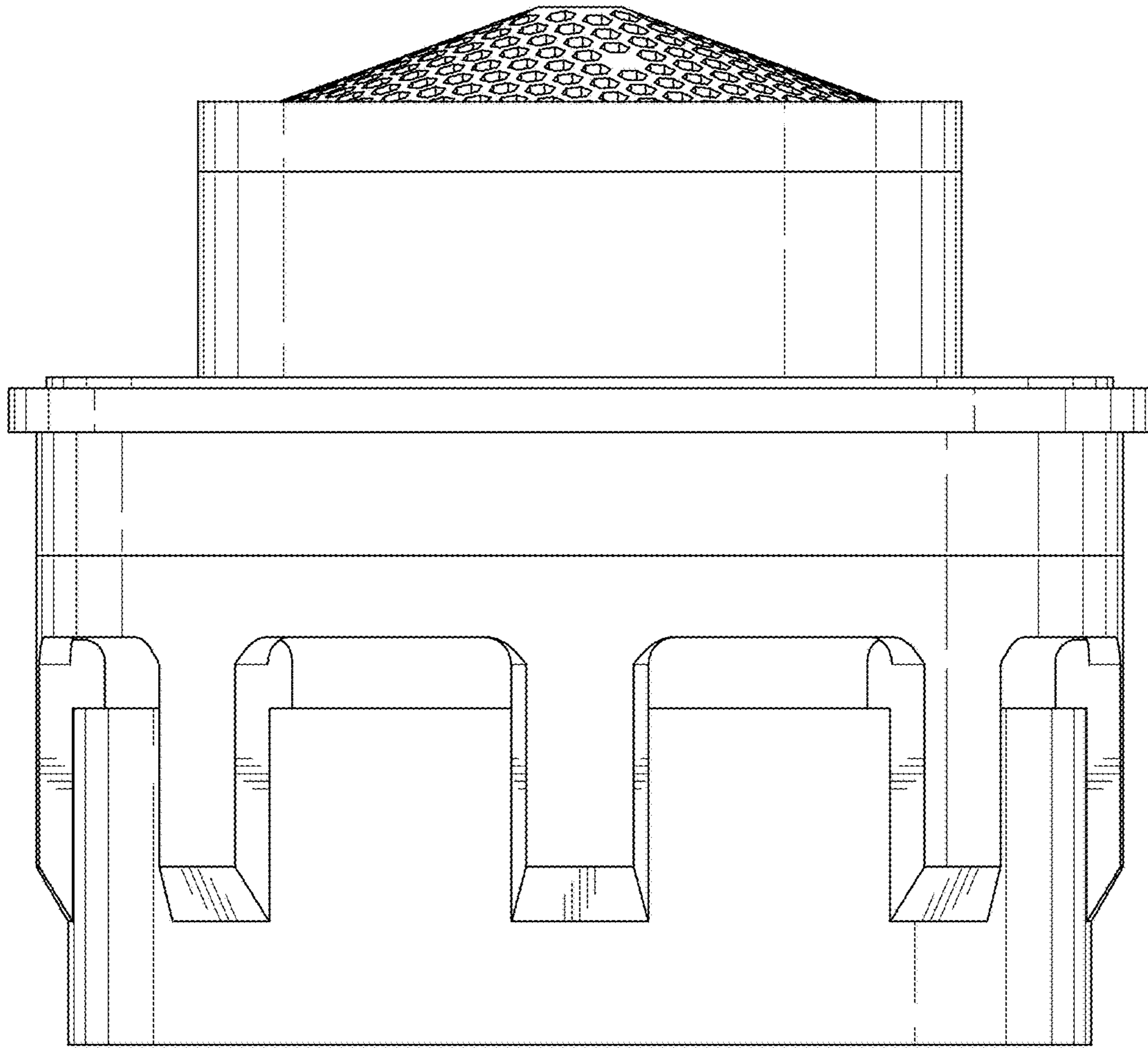


Fig. 8

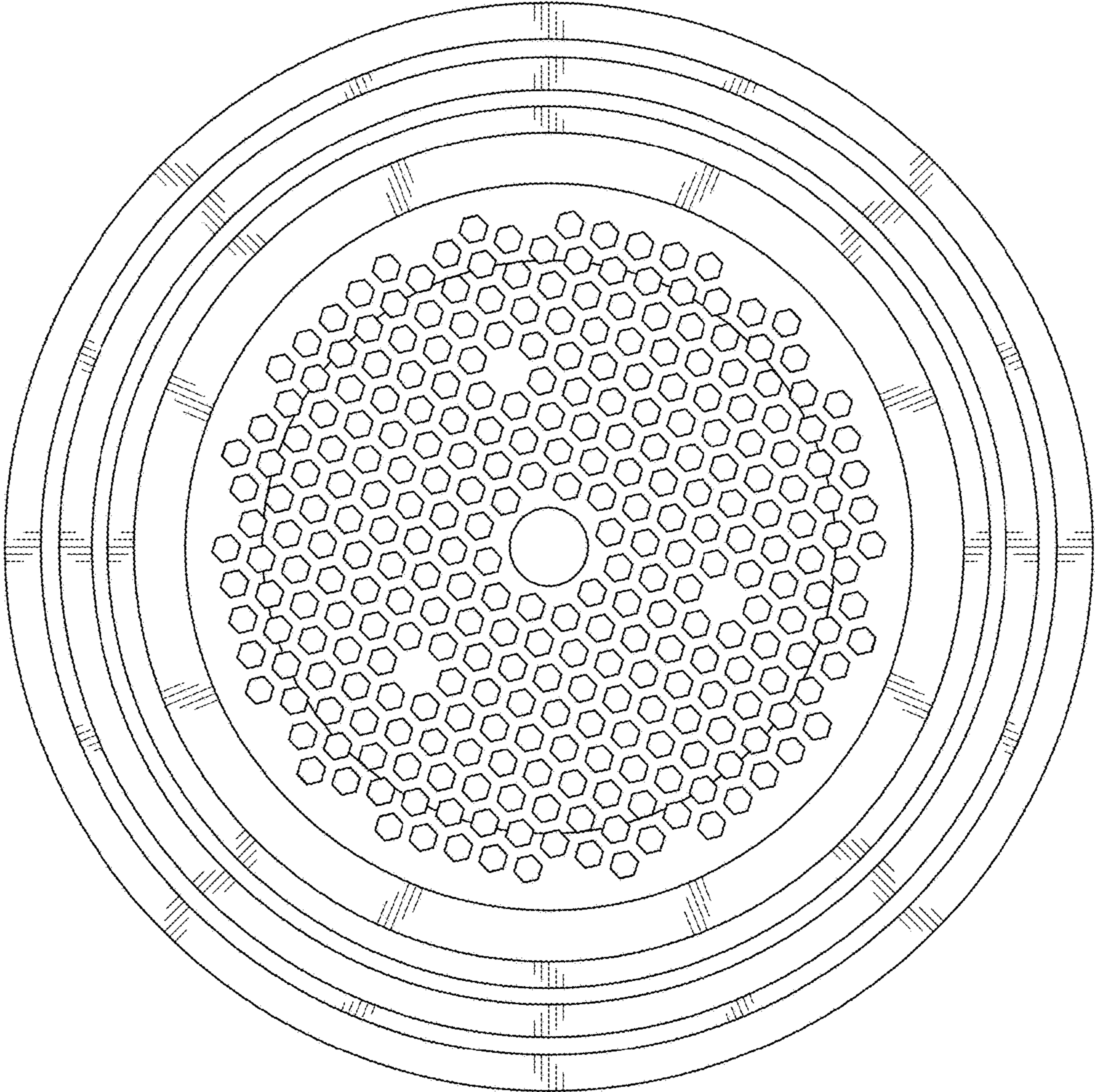


Fig. 9

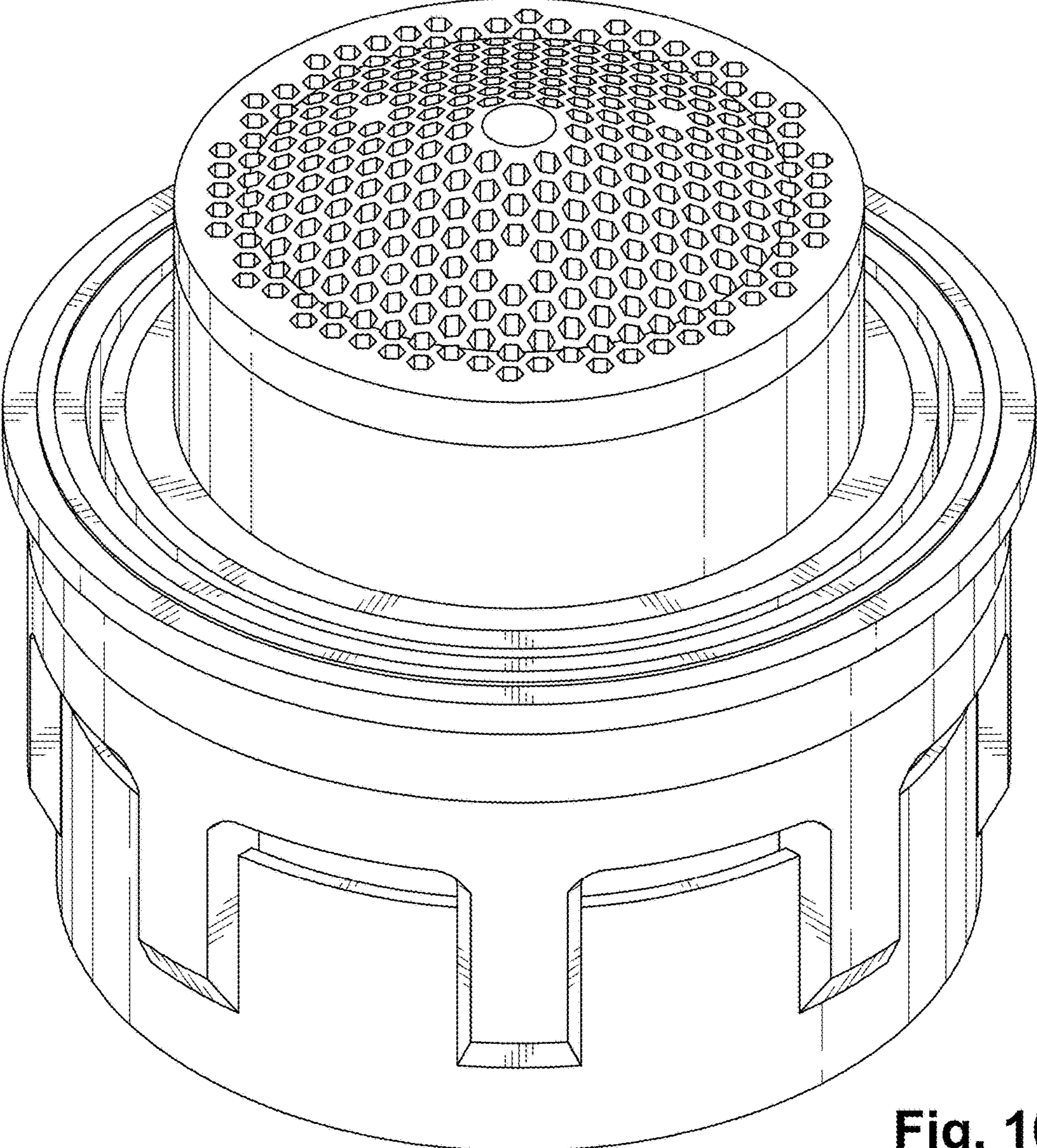


Fig. 10



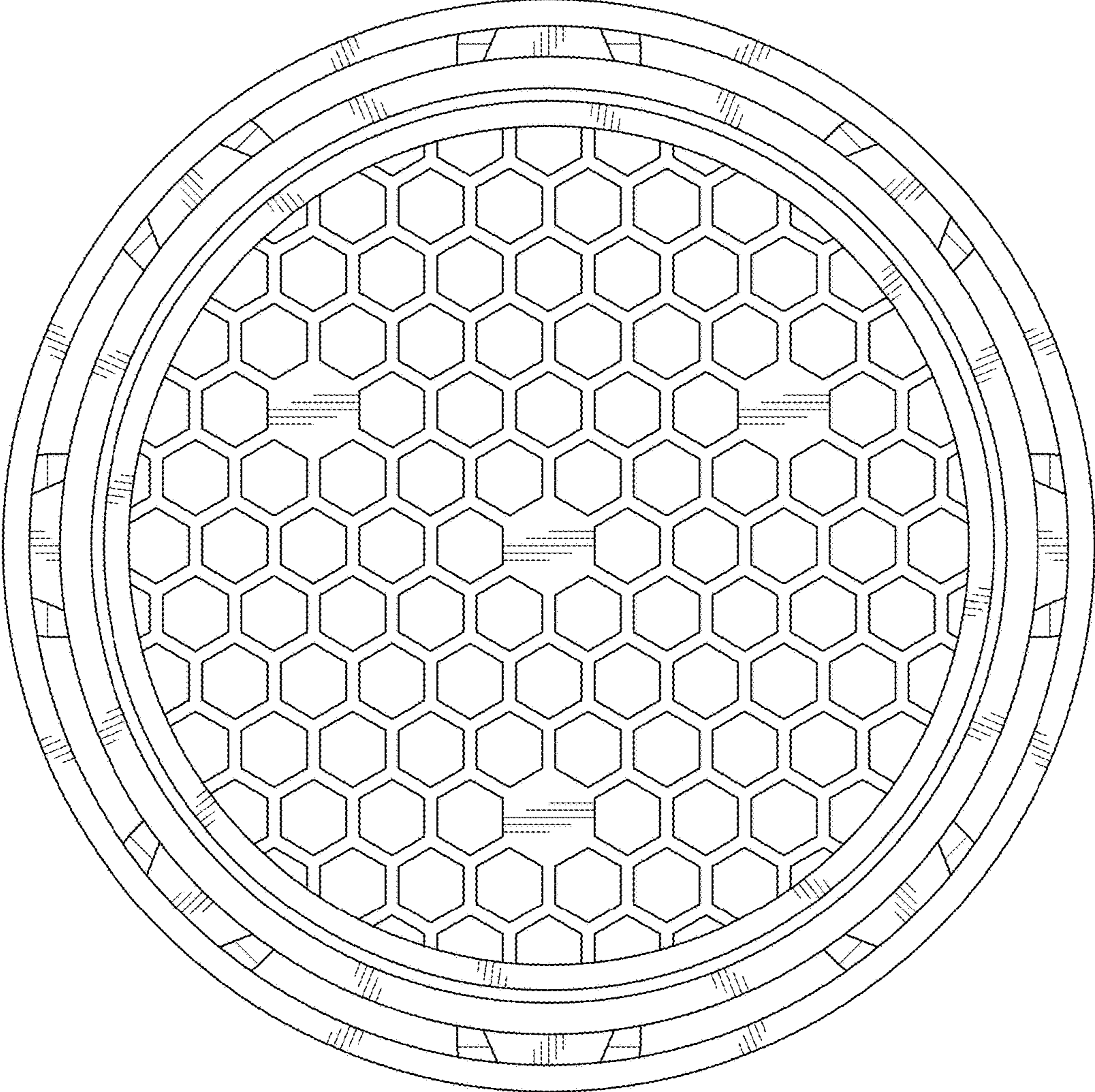


Fig. 11

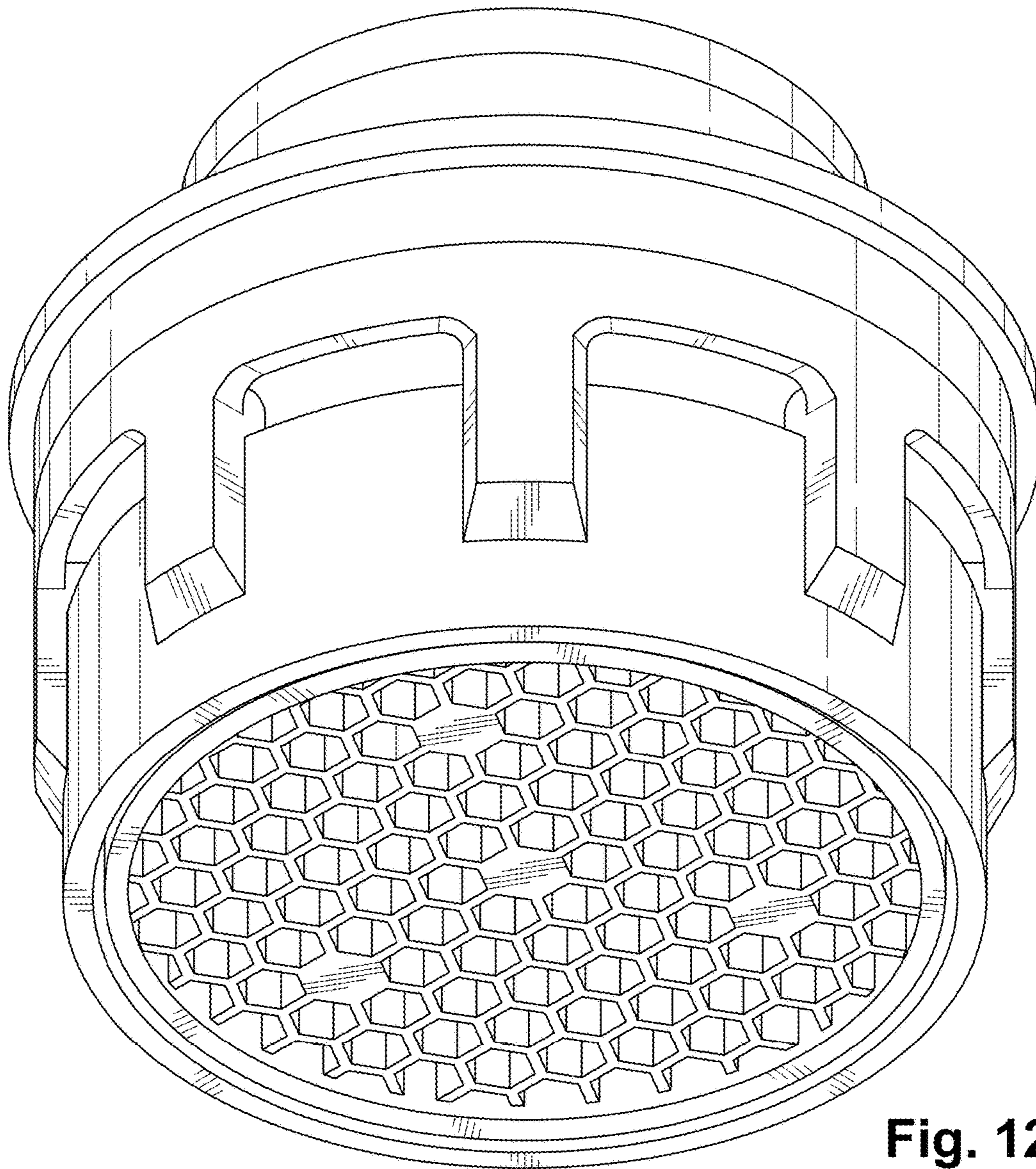


Fig. 12

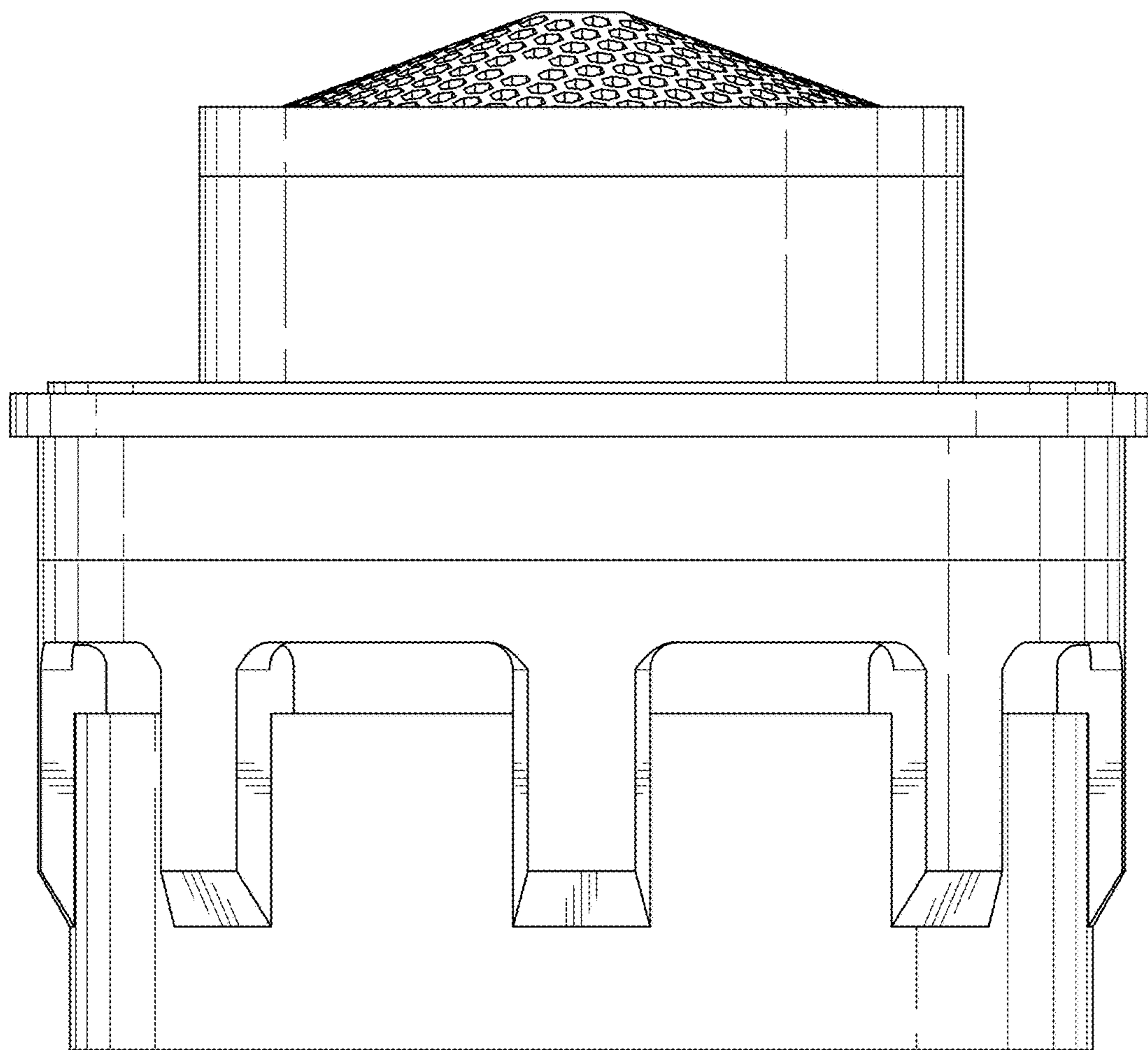


Fig. 13



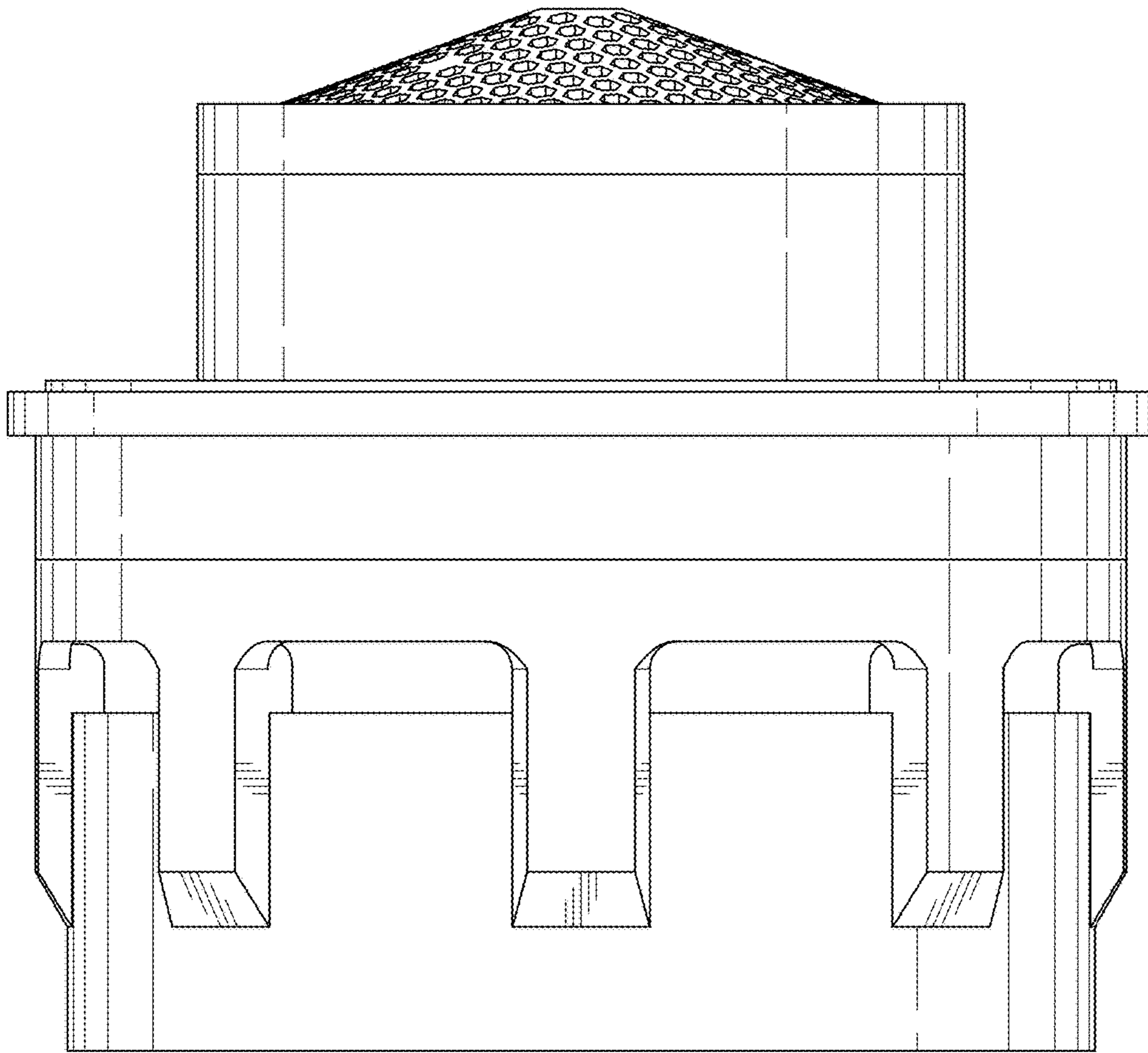


Fig. 14

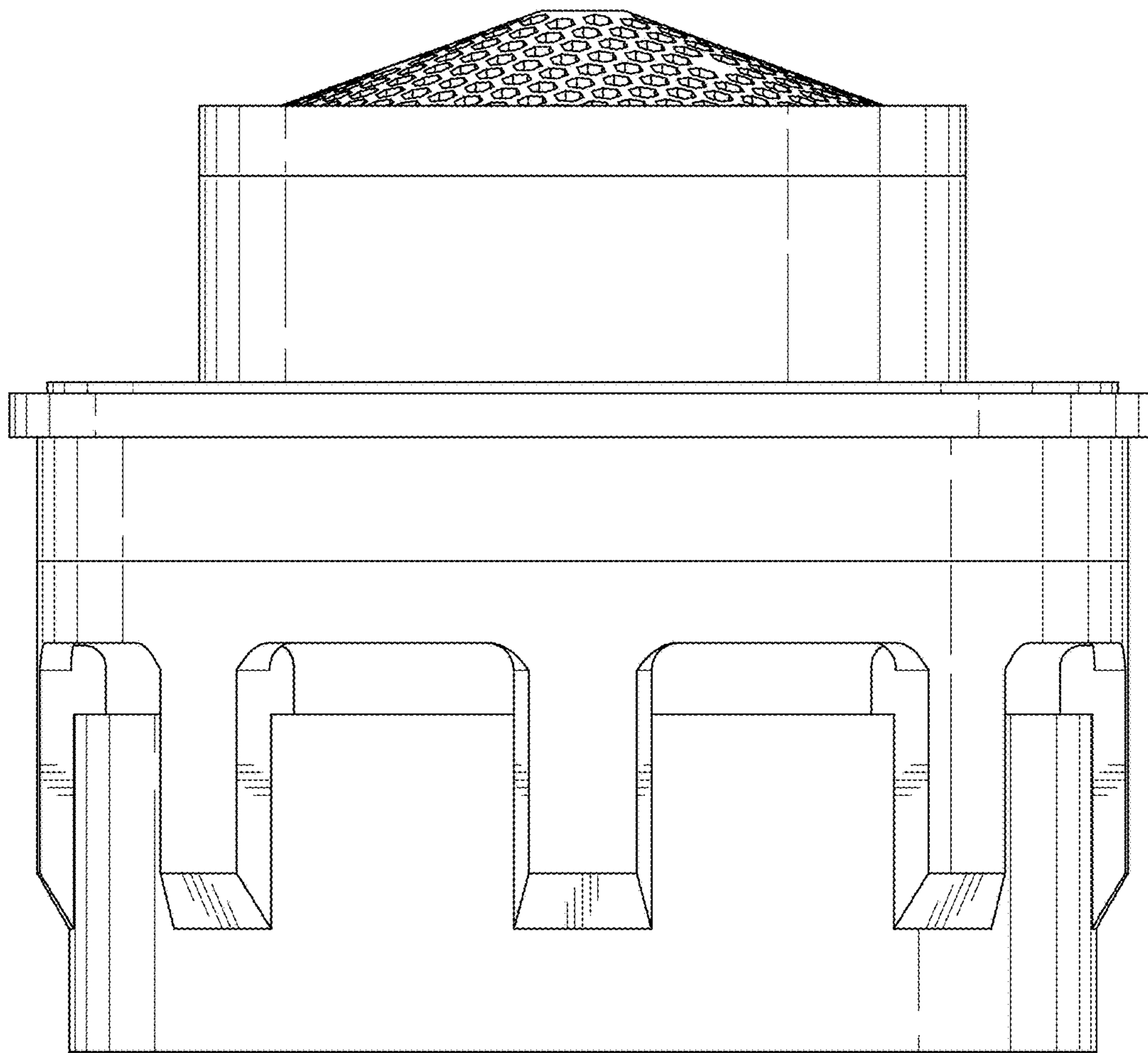


Fig. 15

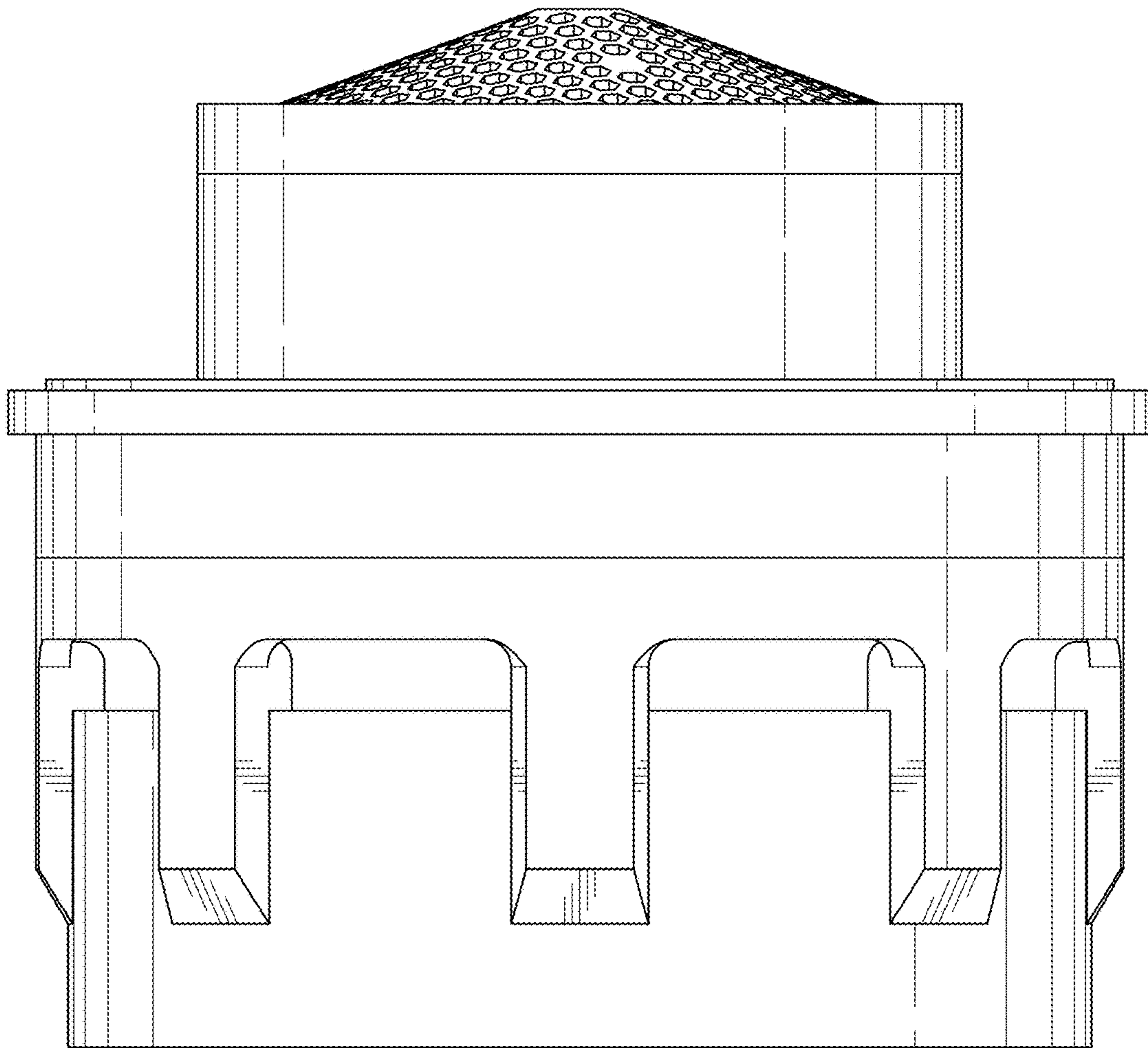


Fig. 16



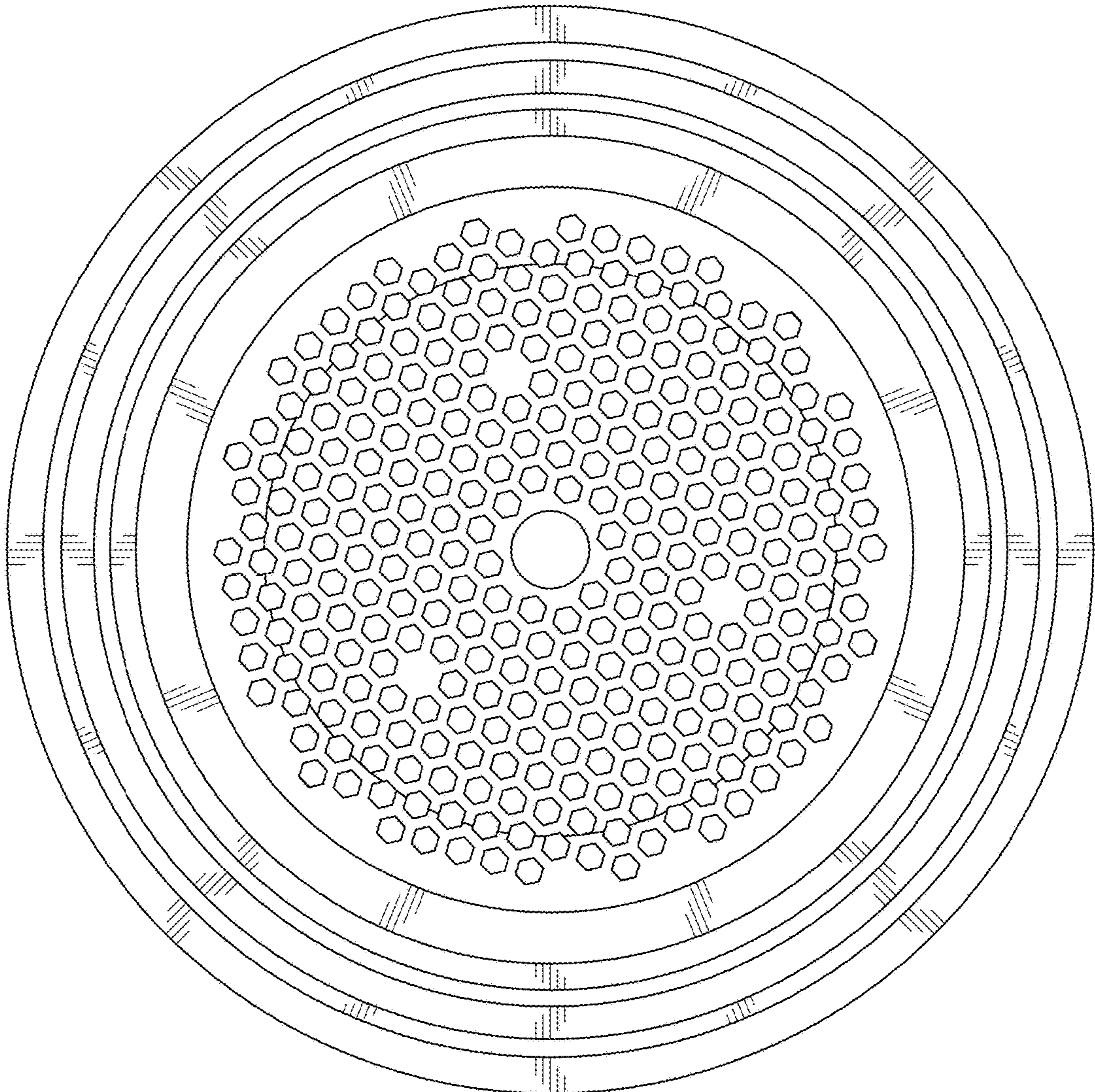


Fig. 17

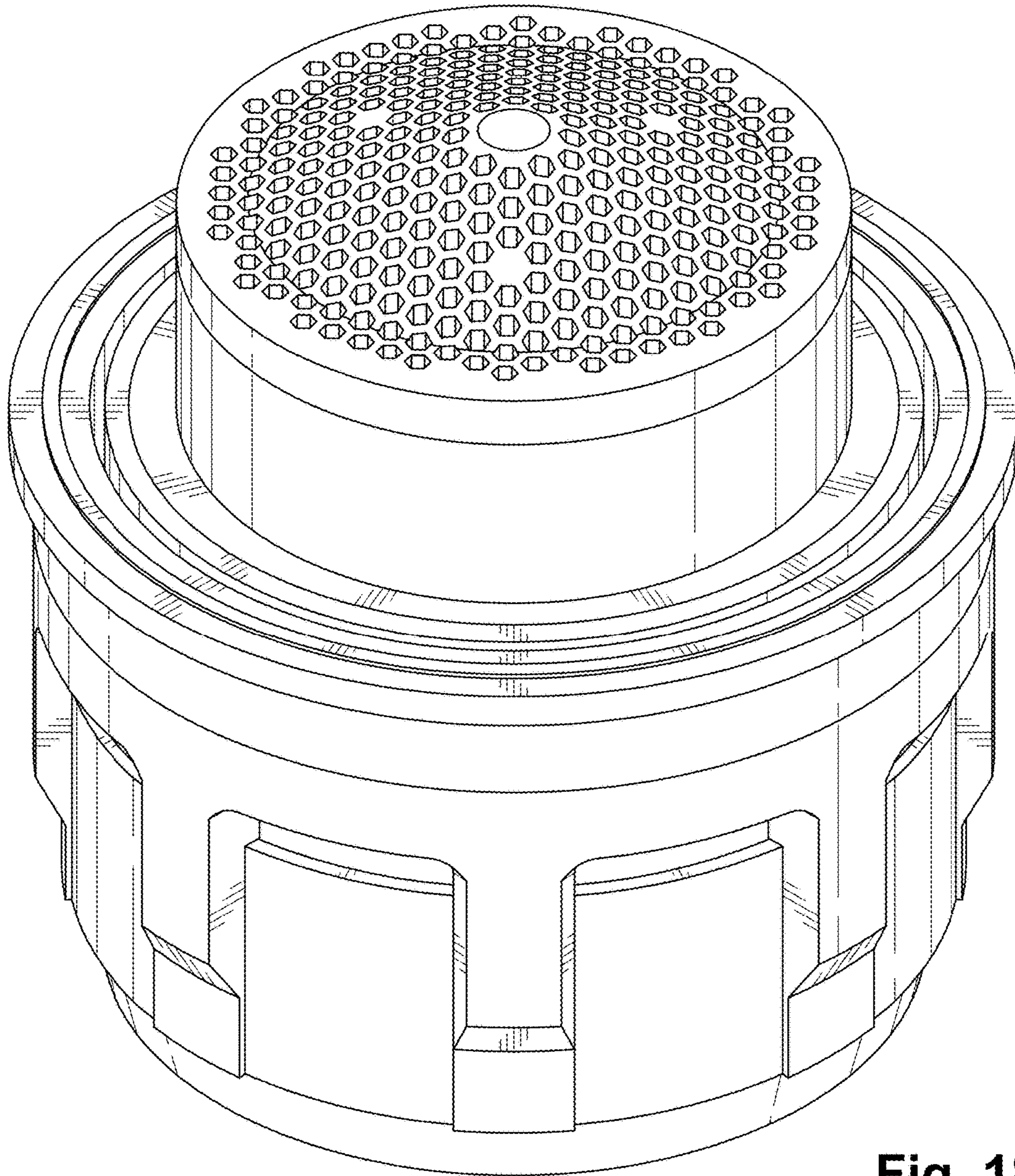


Fig. 18



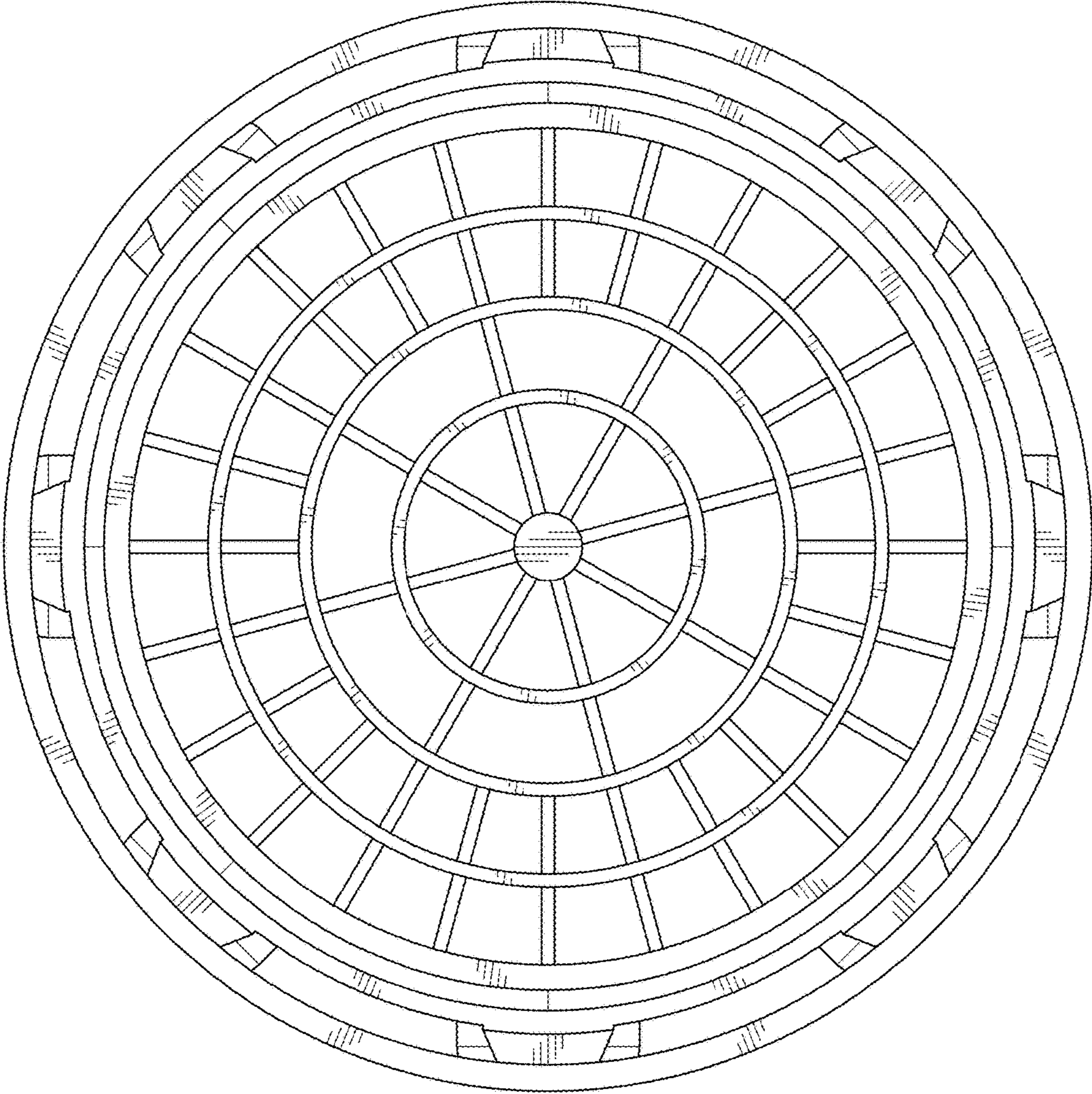


Fig. 19



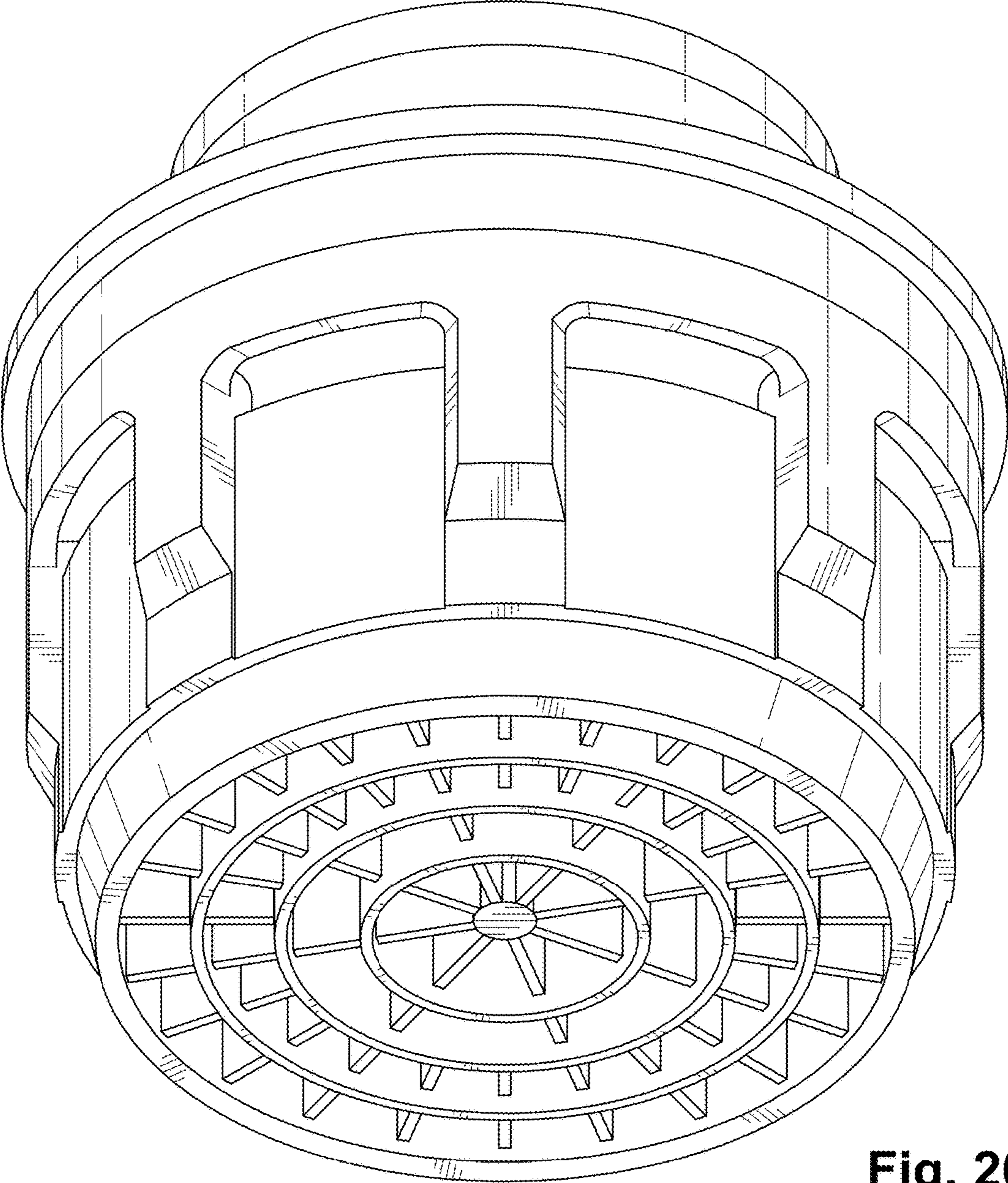


Fig. 20

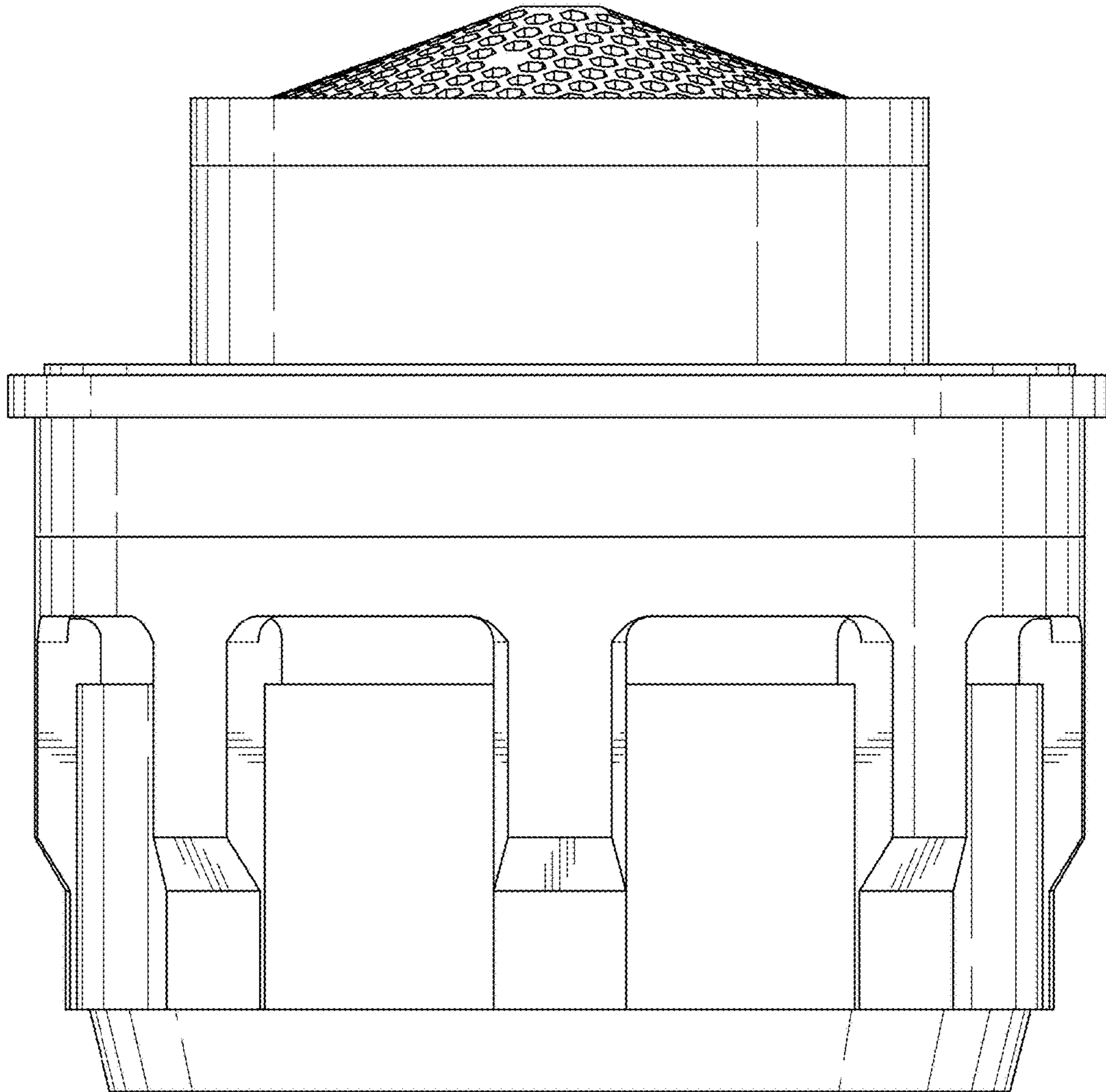


Fig. 21

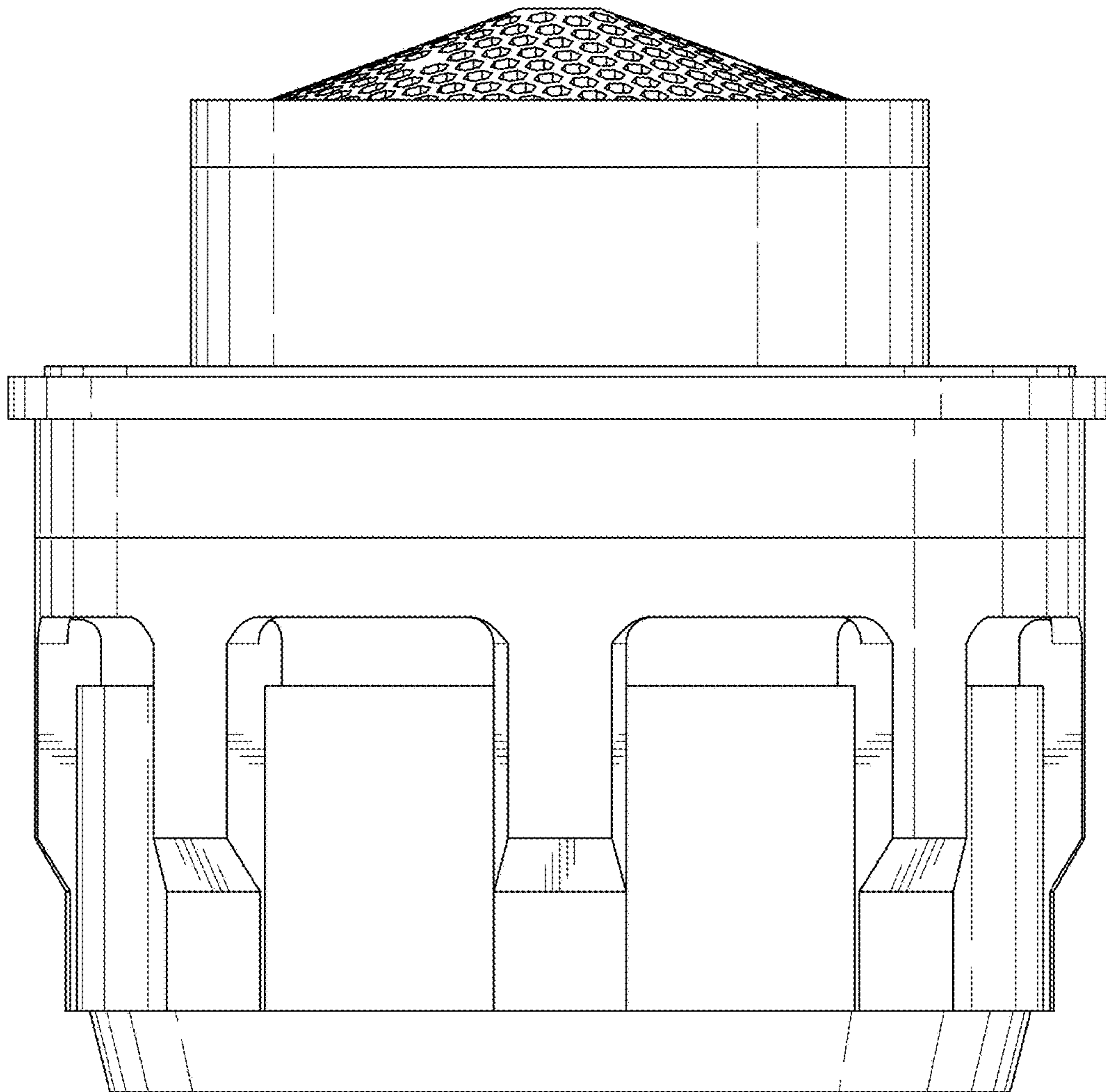


Fig. 22



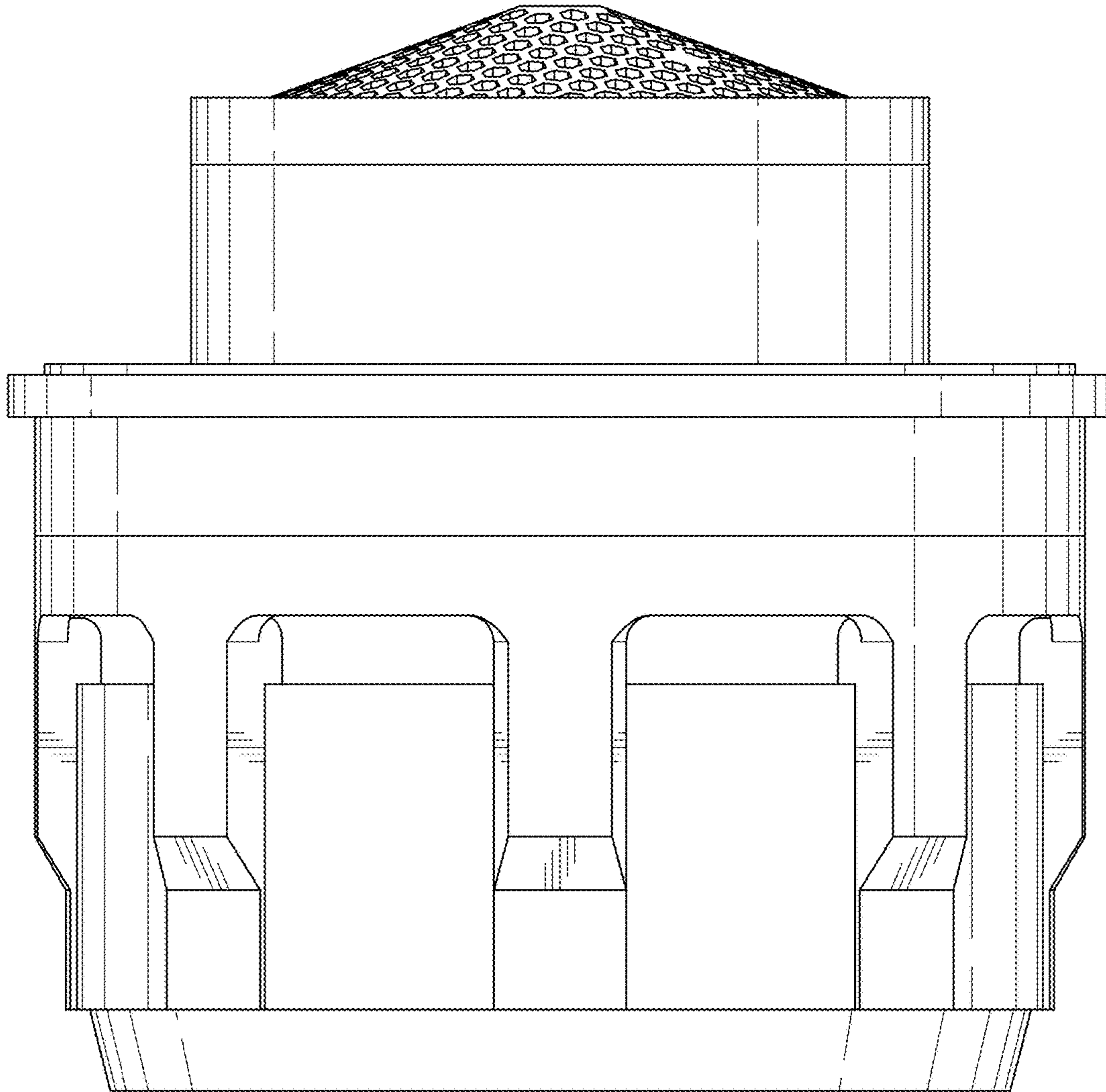


Fig. 23

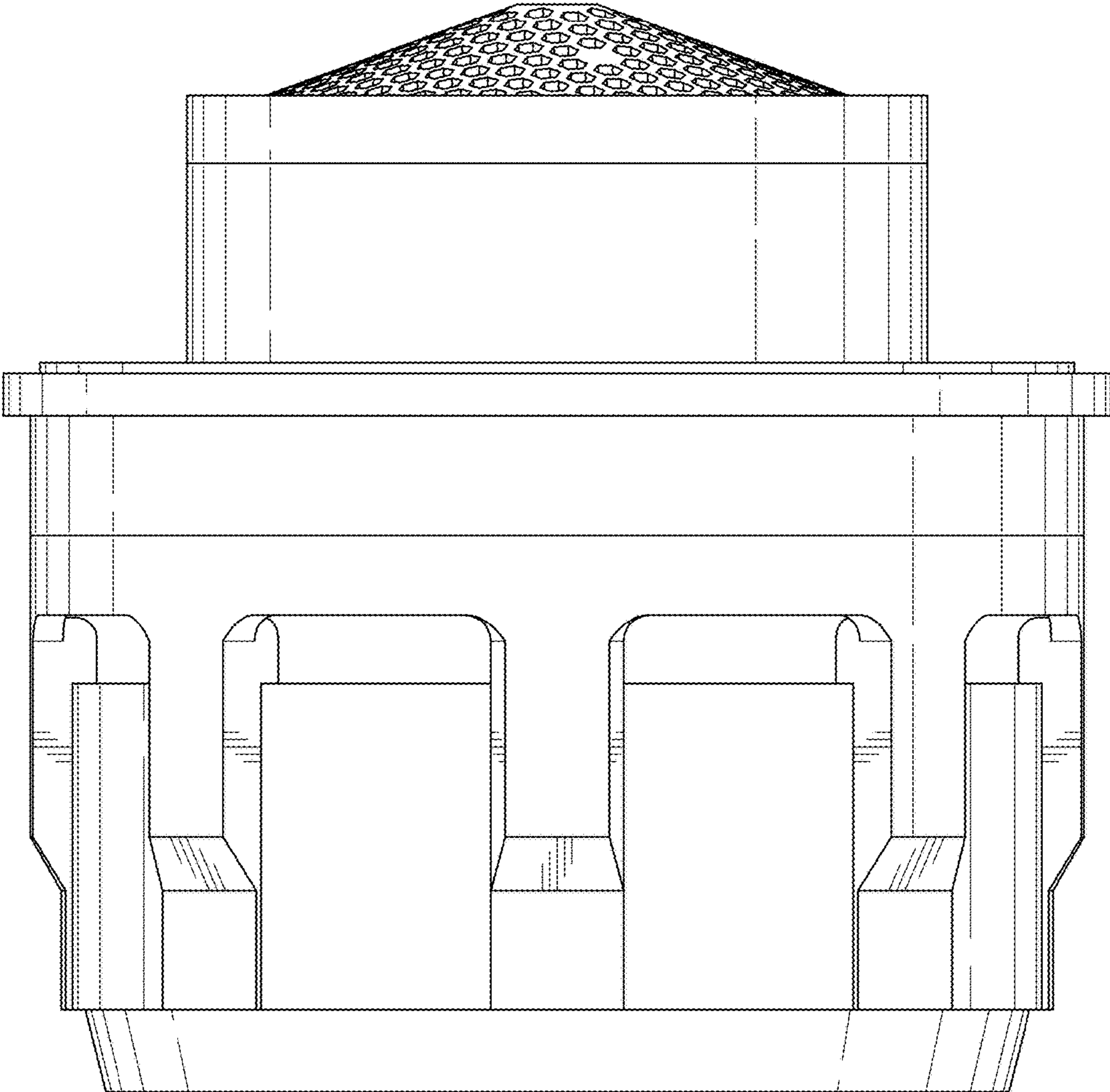


Fig. 24