



US00D788262S

(12) **United States Design Patent**
Gerhards et al.

(10) **Patent No.:** **US D788,262 S**
(45) **Date of Patent:** **** May 30, 2017**

- (54) **TOILET RIM BLOCKS**
- (71) Applicant: **Henkel AG & Co. KGaA**, Duesseldorf (DE)
- (72) Inventors: **Katja Gerhards**, Duesseldorf (DE);
Bodo Warden, Moenchengladbach (DE)
- (73) Assignee: **Henkel AG & Co. KGaA** (DE)
- (**) Term: **15 Years**
- (21) Appl. No.: **29/581,376**
- (22) Filed: **Oct. 18, 2016**

Related U.S. Application Data

- (62) Division of application No. 35/500,084, filed on May 19, 2015 (U.S. filing date under 35 U.S.C. 384), and having an international filing date of May 19, 2015, now Pat. No. Des. 772,376.

- (51) **LOC (10) Cl.** **23-01**
- (52) **U.S. Cl.**

- USPC **D23/208**
- (58) **Field of Classification Search**
- USPC D23/208, 355-369; 261/DIG. 17, 261/DIG. 42, DIG. 65, DIG. 88, DIG. 89; 239/34, 44, 53, 55, 56, 326; 392/386, 392/390, 392, 394, 395
- CPC A61L 9/00; A61L 9/02; A61L 9/03; A61L 9/032; A61L 9/035; A61L 9/037; A61L 9/04; A61L 9/12; A61L 9/22
- See application file for complete search history.

(56) **References Cited**

U.S. PATENT DOCUMENTS

- D212,420 S * 10/1968 Wilson D23/368
- D212,753 S * 11/1968 Tughan D23/369

- D506,805 S * 6/2005 Nguyen D23/208
- D507,628 S * 7/2005 McLellan E03D 9/032
- D508,106 S * 8/2005 Nguyen D23/208
- D512,480 S * 12/2005 Nguyen D23/208
- D520,103 S * 5/2006 Johnson D23/208
- D523,923 S * 6/2006 Nguyen D23/208
- D548,305 S * 8/2007 King D23/208
- D556,854 S * 12/2007 Cheung D23/208
- D613,368 S * 4/2010 Padain D23/208
- D655,778 S * 3/2012 Muhlhausen D23/208
- D656,575 S * 3/2012 Muhlhausen D23/208
- D656,576 S * 3/2012 Muhlhausen D23/208
- D659,793 S * 5/2012 Muhlhausen D23/208
- D679,778 S * 4/2013 Gerhards D23/208
- D689,167 S * 9/2013 Gerhards D23/208
- D720,427 S * 12/2014 Wang D23/208
- D720,428 S * 12/2014 Wang D23/208
- D720,830 S * 1/2015 Wang D23/208
- D748,222 S * 1/2016 Gerhards D23/208
- D751,683 S * 3/2016 Furner D23/368
- D762,810 S * 8/2016 Venini D23/208
- D772,376 S * 11/2016 Bruining D23/208
- D772,377 S * 11/2016 Gerhards D23/208

(Continued)

Primary Examiner — Keli L Hill

(74) *Attorney, Agent, or Firm* — P. Scott Smith

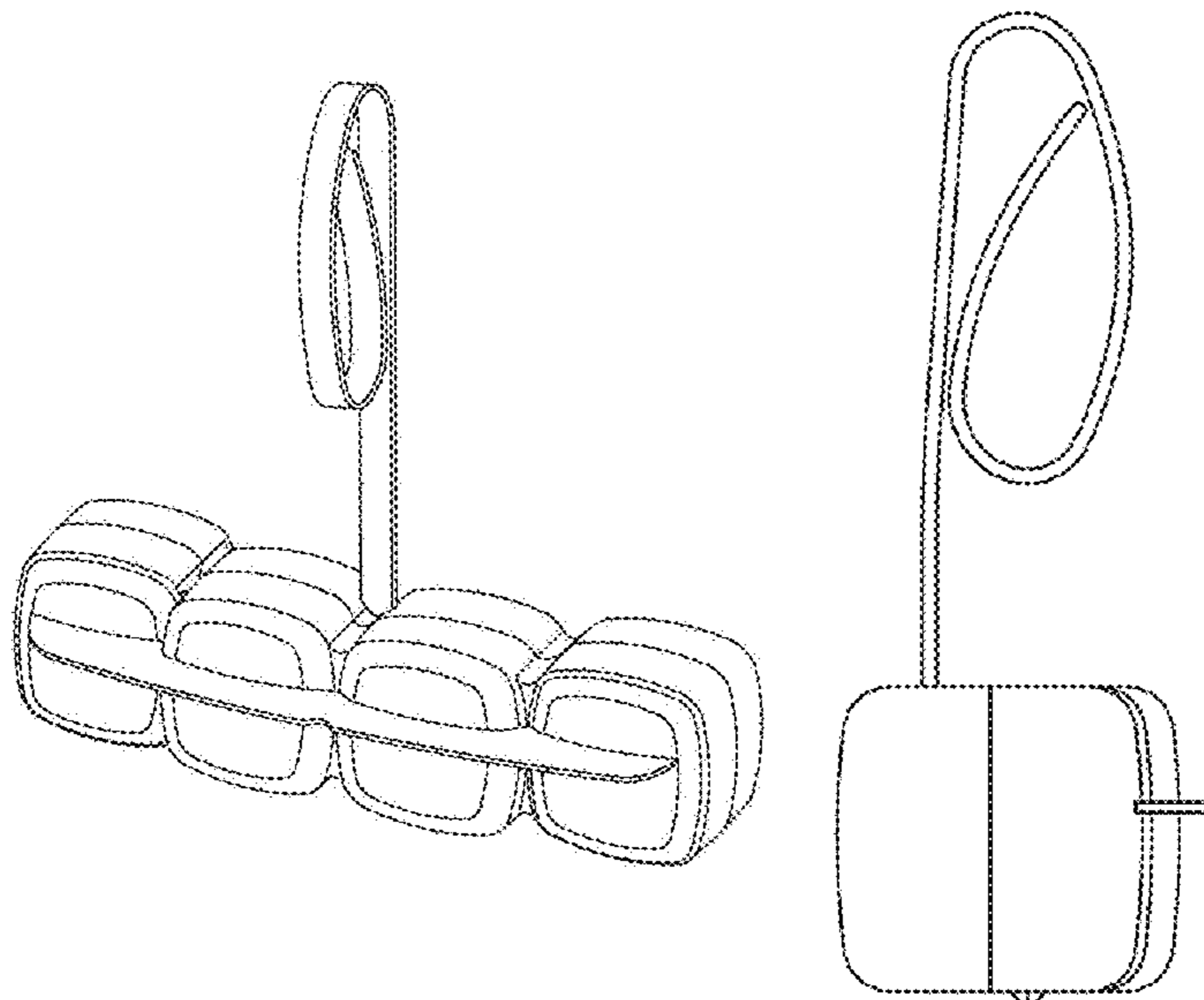
(57) **CLAIM**

The ornamental design for toilet rim blocks, as shown and described.

DESCRIPTION

FIG. 1 is a front perspective view of toilet rim blocks embodying our new design;
 FIG. 2 is a front side elevation view thereof;
 FIG. 3 is a rear side elevation view thereof;
 FIG. 4 is a left side elevation view thereof;
 FIG. 5 is a right side elevation view thereof;
 FIG. 6 is a top plan view thereof; and,
 FIG. 7 is a bottom plan view thereof.

1 Claim, 6 Drawing Sheets



(56)

References Cited

U.S. PATENT DOCUMENTS

D772,378 S * 11/2016 Gerhards D23/208
2012/0047640 A1 * 3/2012 Warkotsch E03D 9/032
4/223

* cited by examiner

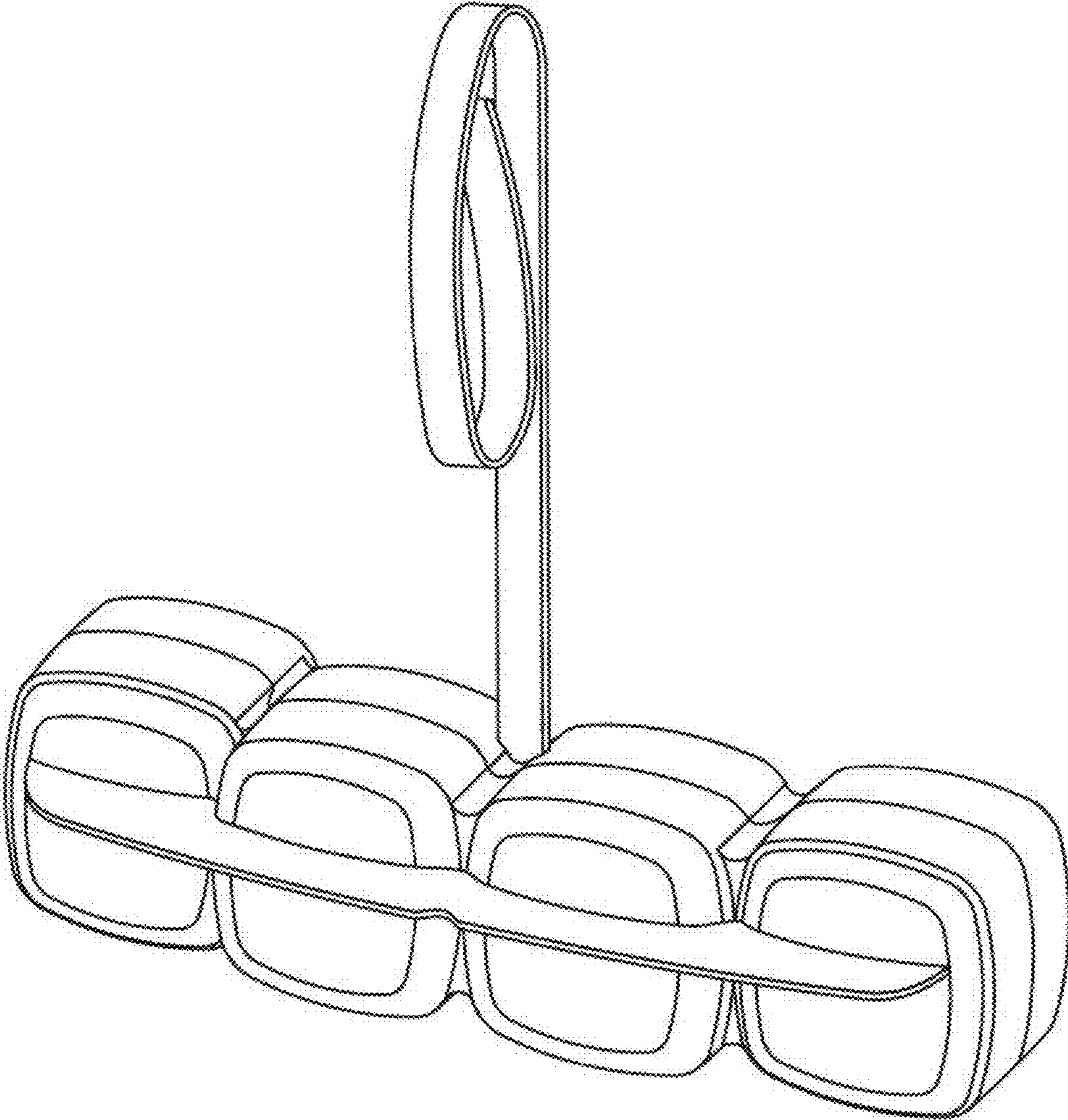


FIG. 1

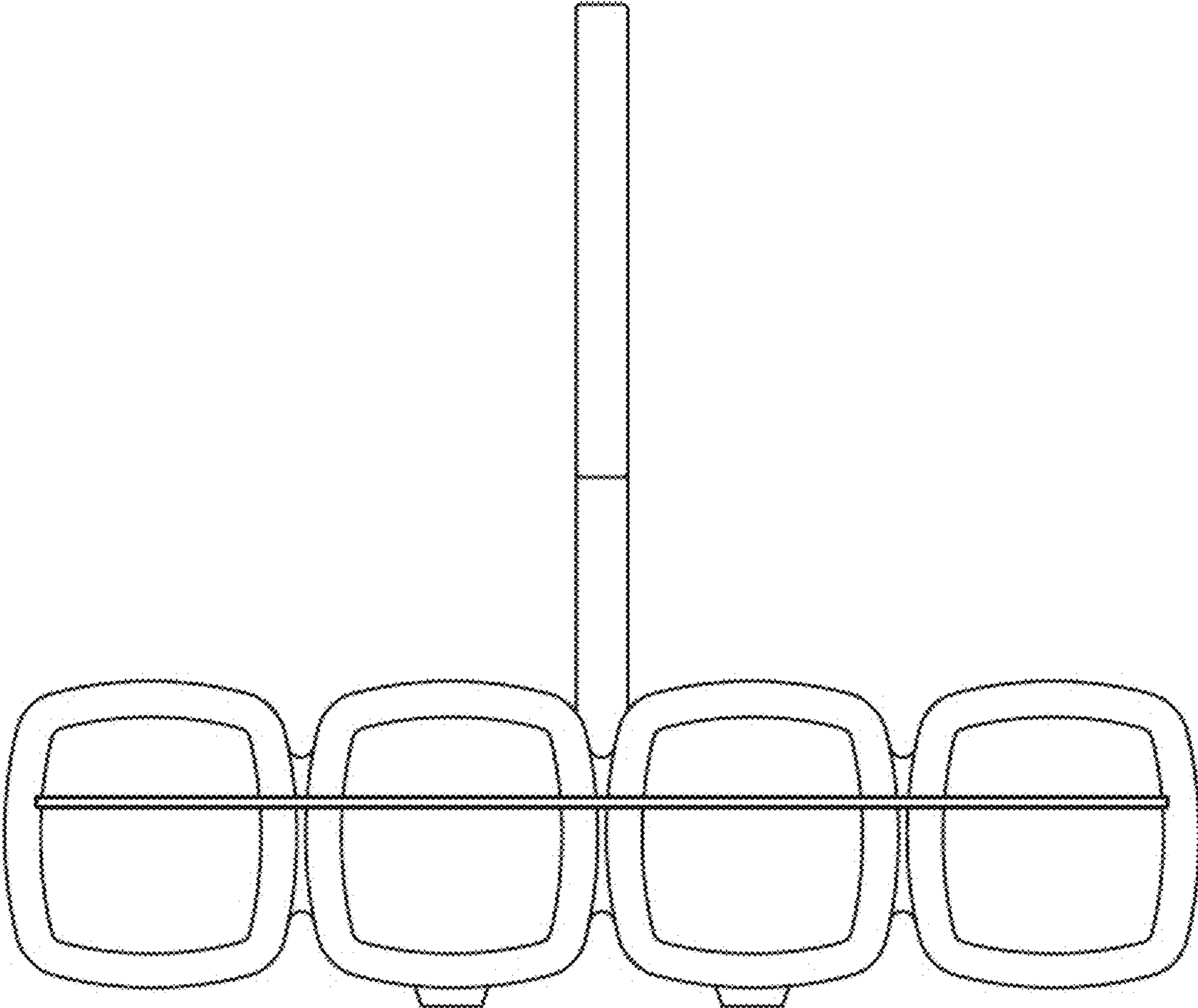


FIG. 2

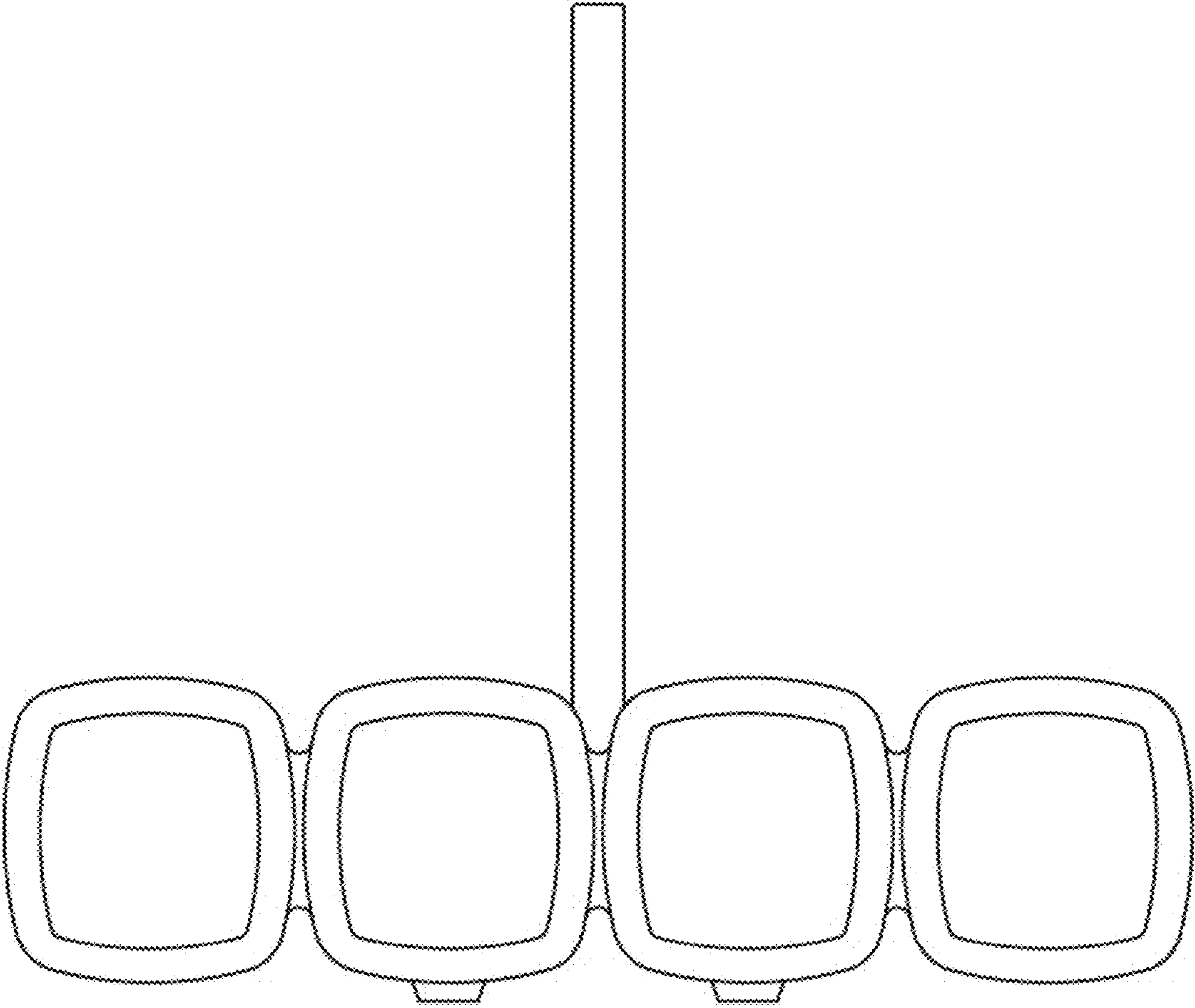


FIG. 3

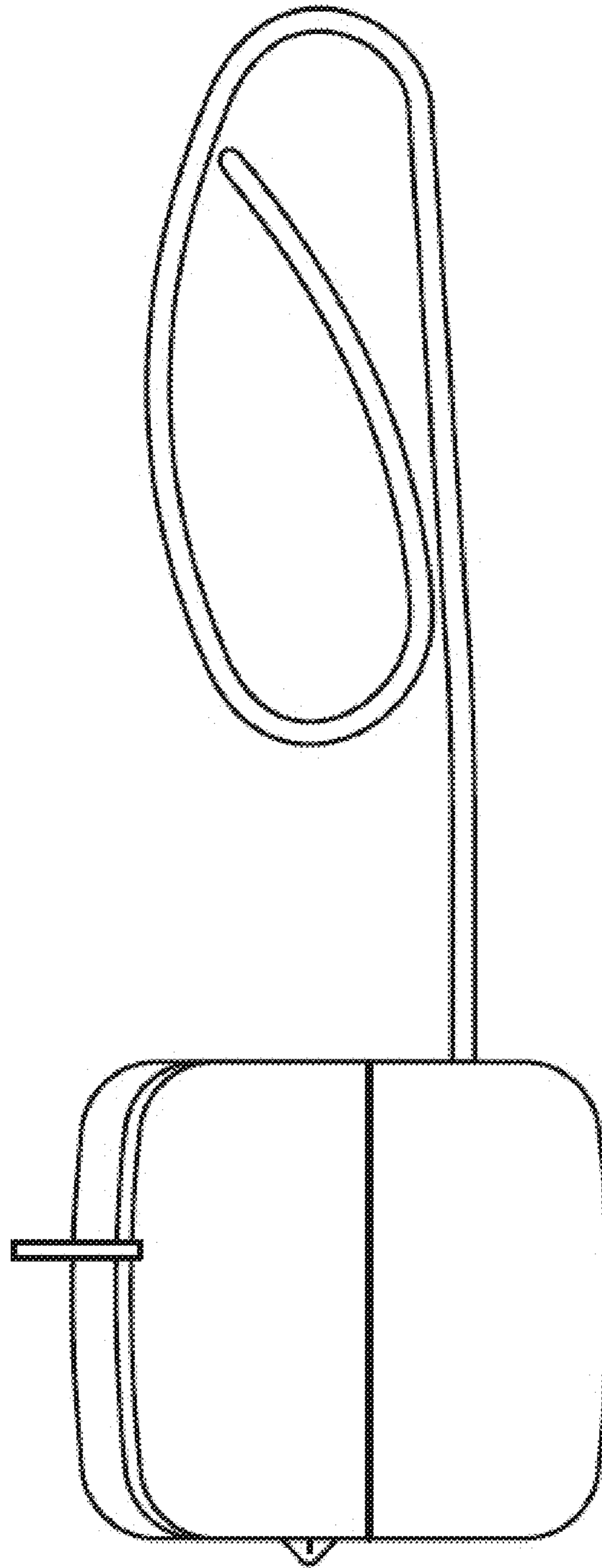


FIG. 4

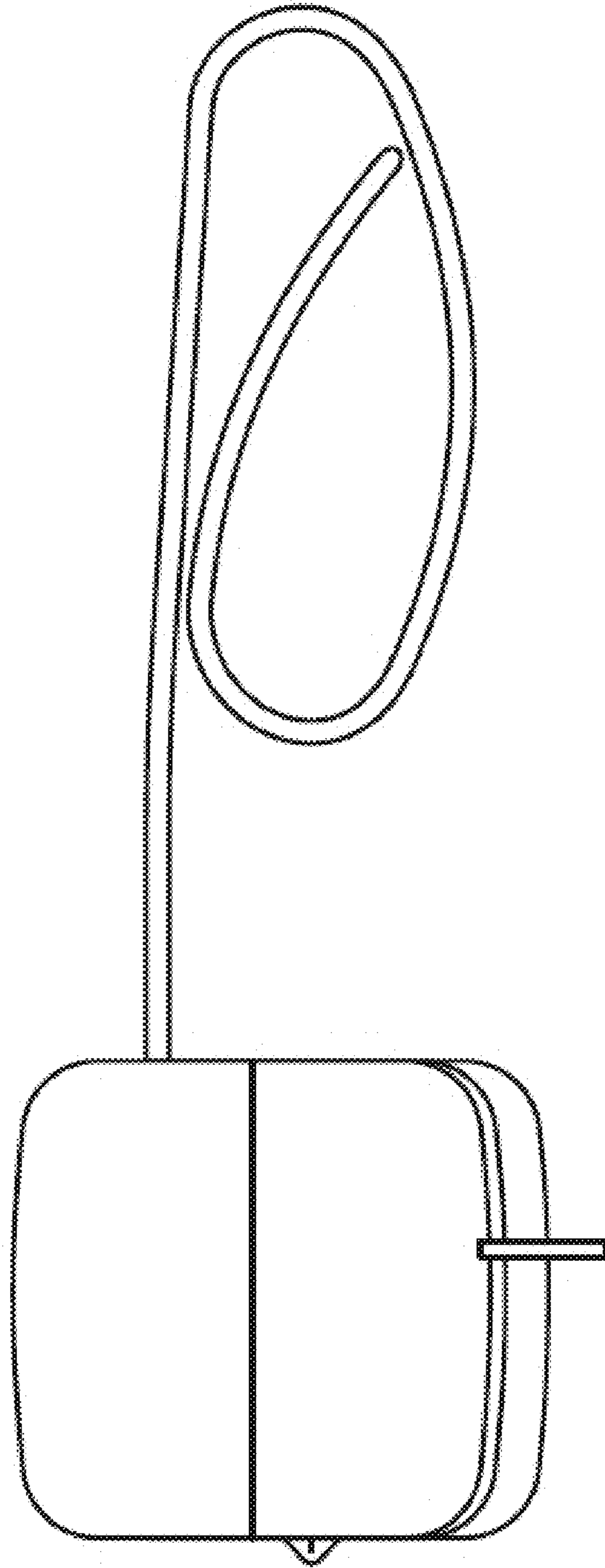


FIG. 5

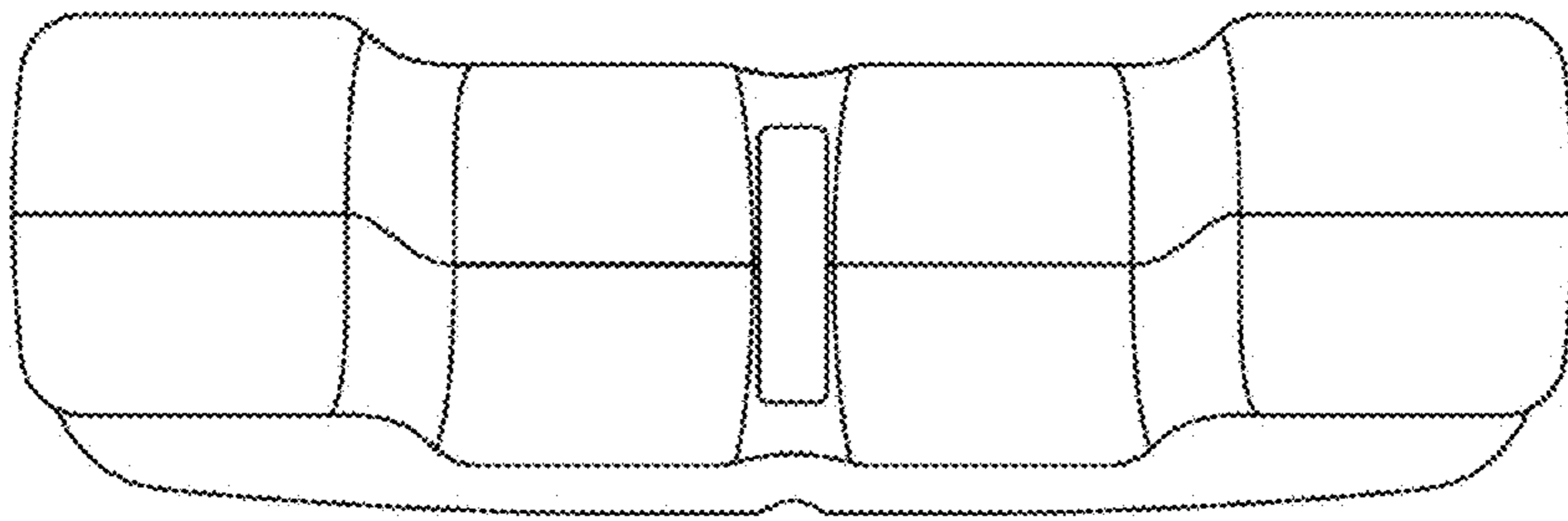


FIG. 6

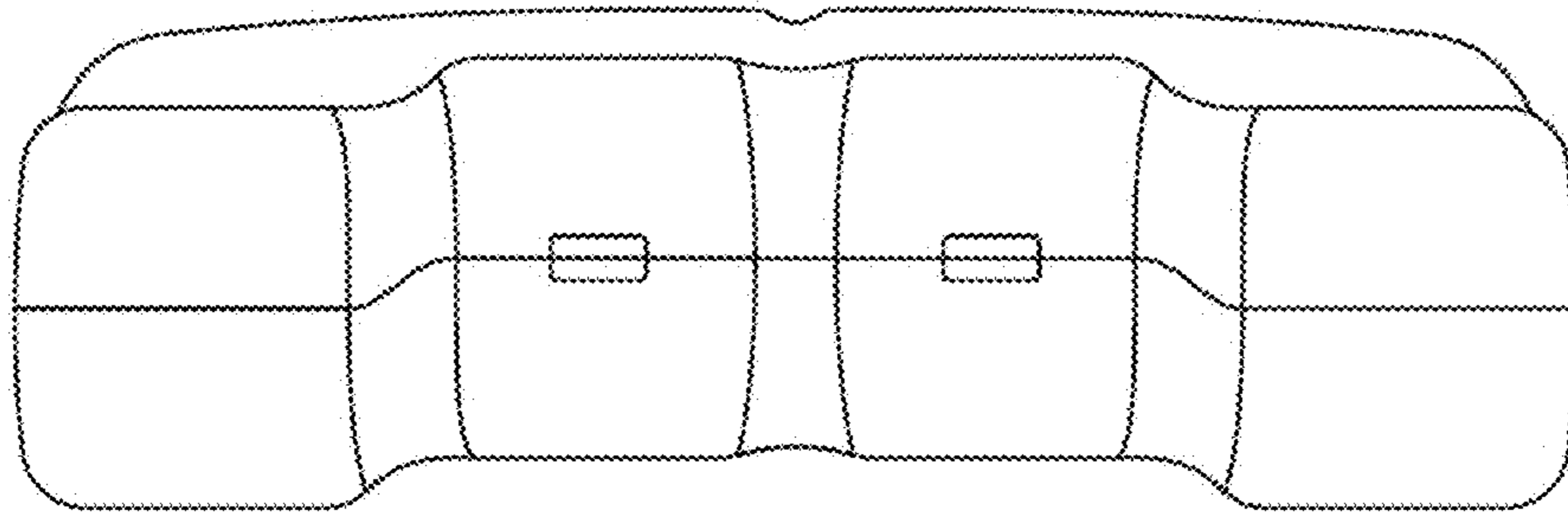


FIG. 7