



US00D788261S

(12) **United States Design Patent**
Gerhards et al.

(10) **Patent No.:** **US D788,261 S**
(45) **Date of Patent:** **** May 30, 2017**

- (54) **TOILET RIM BLOCKS**
- (71) Applicant: **Henkel AG & Co. KGaA**, Duesseldorf (DE)
- (72) Inventors: **Katja Gerhards**, Duesseldorf (DE);
Bodo Warden, Moenchengladbach (DE)
- (73) Assignee: **Henkel AG & Co. KGaA** (DE)
- (**) Term: **15 Years**
- (21) Appl. No.: **29/581,371**
- (22) Filed: **Oct. 18, 2016**
- (51) **LOC (10) Cl.** **23-01**
- (52) **U.S. Cl.**
USPC **D23/208**
- (58) **Field of Classification Search**
USPC D23/208, 355–369; 261/DIG. 17,
261/DIG. 42, DIG. 65, DIG. 88, DIG. 89;
239/34, 44, 53, 55, 56, 326; 392/386,
392/390, 392, 394, 395
CPC A61L 9/00; A61L 9/02; A61L 9/03; A61L
9/032; A61L 9/035; A61L 9/037; A61L
9/04; A61L 9/12; A61L 9/22
See application file for complete search history.

D523,923 S *	6/2006	Nguyen	D23/208
D548,305 S *	8/2007	King	D23/208
D556,854 S *	12/2007	Cheung	D23/208
D613,368 S *	4/2010	Padain	D23/208
D655,778 S *	3/2012	Muhlhausen	D23/208
D656,575 S *	3/2012	Muhlhausen	D23/208
D656,576 S *	3/2012	Muhlhausen	D23/208
D659,793 S *	5/2012	Muhlhausen	D23/208
D679,778 S *	4/2013	Gerhards	D23/208
D689,167 S *	9/2013	Gerhards	D23/208
D720,427 S *	12/2014	Wang	D23/208
D720,428 S *	12/2014	Wang	D23/208
D720,830 S *	1/2015	Wang	D23/208
D748,222 S *	1/2016	Gerhards	D23/208
D751,683 S *	3/2016	Furner	D23/368
D762,810 S *	8/2016	Venini	D23/208
D772,376 S *	11/2016	Gerhards	D23/208
D772,377 S *	11/2016	Gerhards	D23/208
D772,378 S *	11/2016	Gerhards	D23/208
2012/0047640 A1 *	3/2012	Warkotsch	E03D 9/032 4/223

* cited by examiner

Primary Examiner — Keli L Hill

(74) *Attorney, Agent, or Firm* — P. Scott Smith

(57) **CLAIM**

The ornamental design for toilet rim blocks, as shown and described.

DESCRIPTION

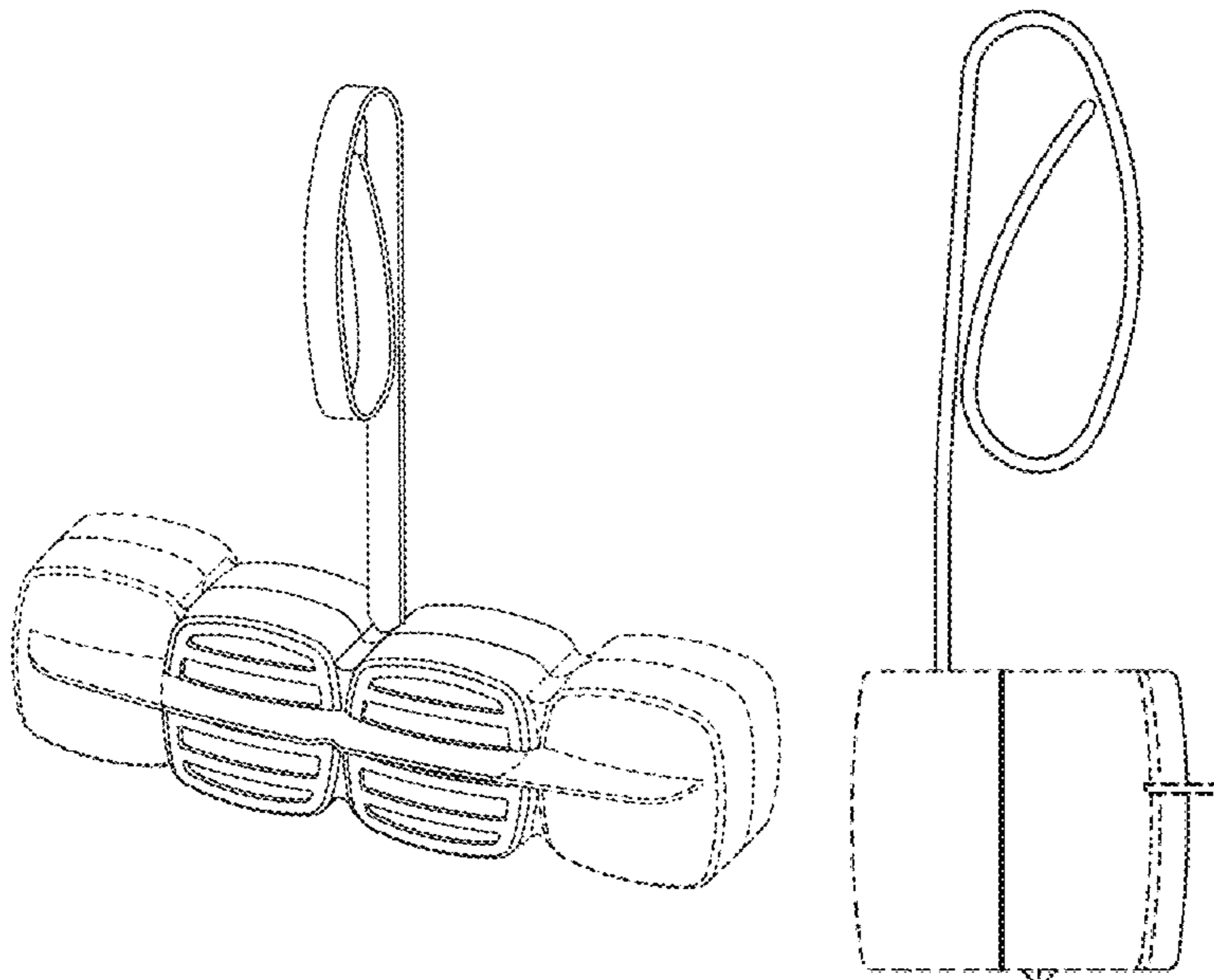
FIG. 1 is a front perspective view of toilet rim blocks embodying our new design;
 FIG. 2 is a front side elevation view thereof;
 FIG. 3 is a rear side elevation view thereof;
 FIG. 4 is a left side elevation view thereof;
 FIG. 5 is a right side elevation view thereof;
 FIG. 6 is a top plan view thereof; and,
 FIG. 7 is a bottom plan view thereof.

1 Claim, 6 Drawing Sheets

(56) **References Cited**

U.S. PATENT DOCUMENTS

D212,420 S *	10/1968	Wilson	D23/368
D212,753 S *	11/1968	Tughan	D23/369
D506,805 S *	6/2005	Nguyen	D23/208
D507,628 S *	7/2005	McLellan	E03D 9/032 D23/208
D508,106 S *	8/2005	Nguyen	D23/208
D512,480 S *	12/2005	Nguyen	D23/208
D520,103 S *	5/2006	Johnson	D23/208



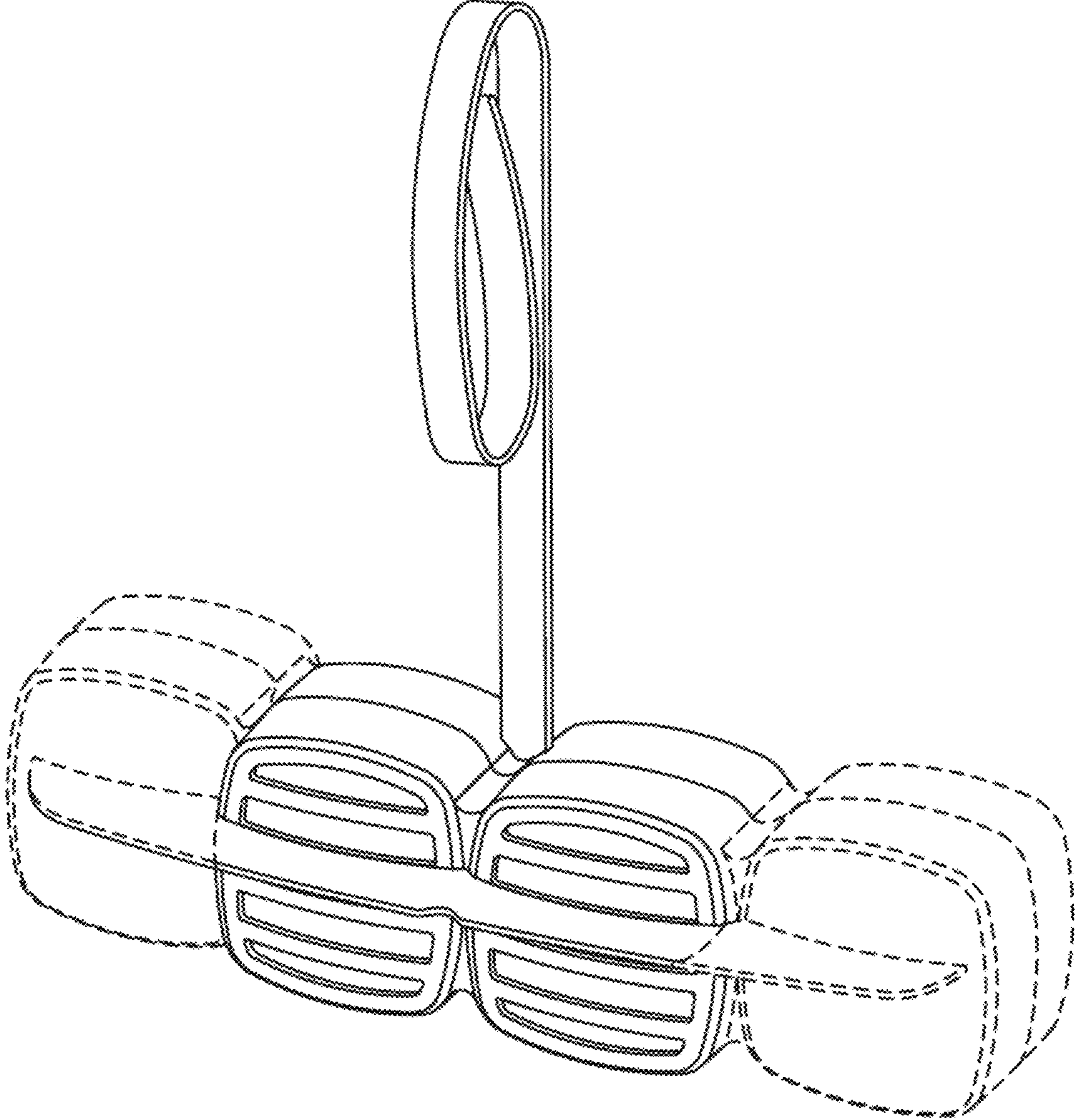


FIG. 1

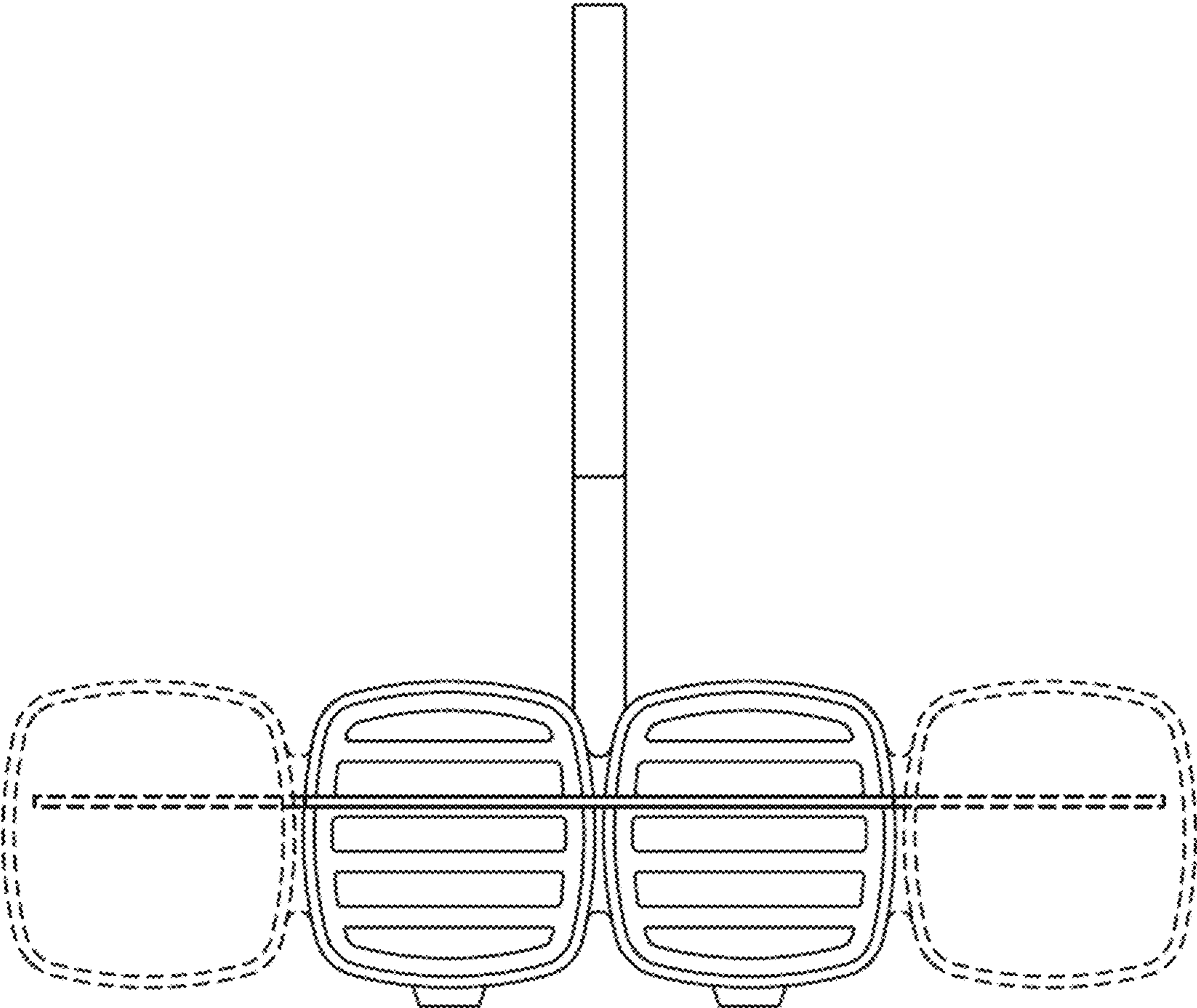


FIG. 2

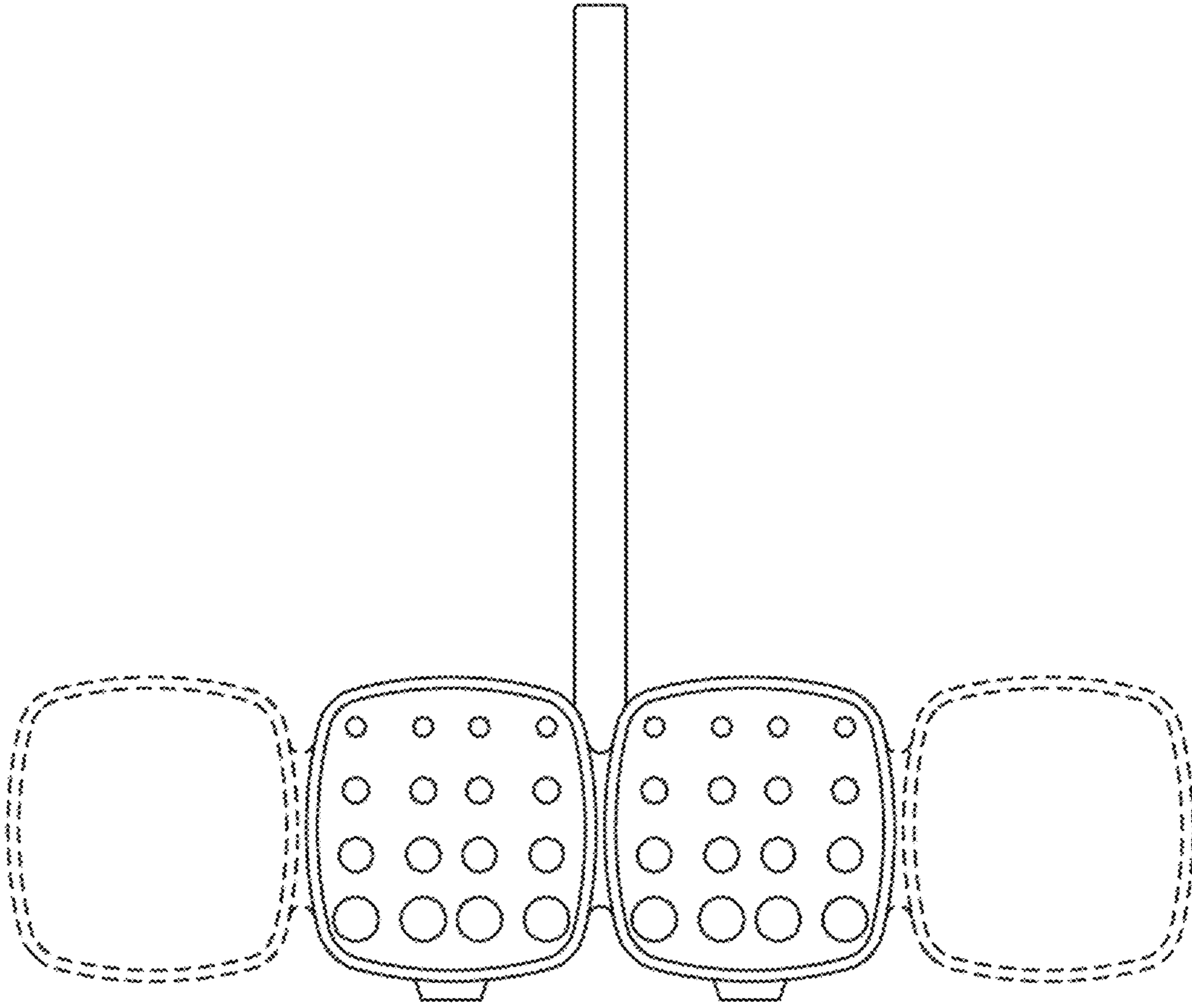


FIG. 3

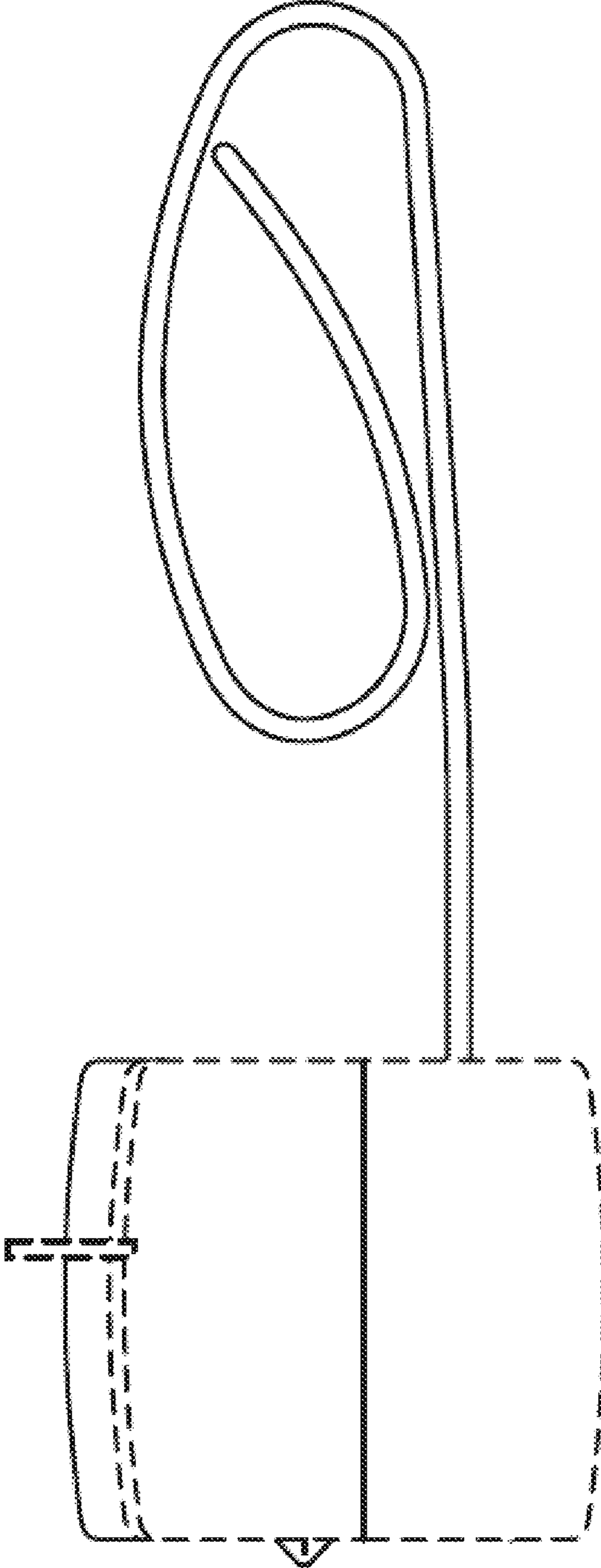


FIG. 4

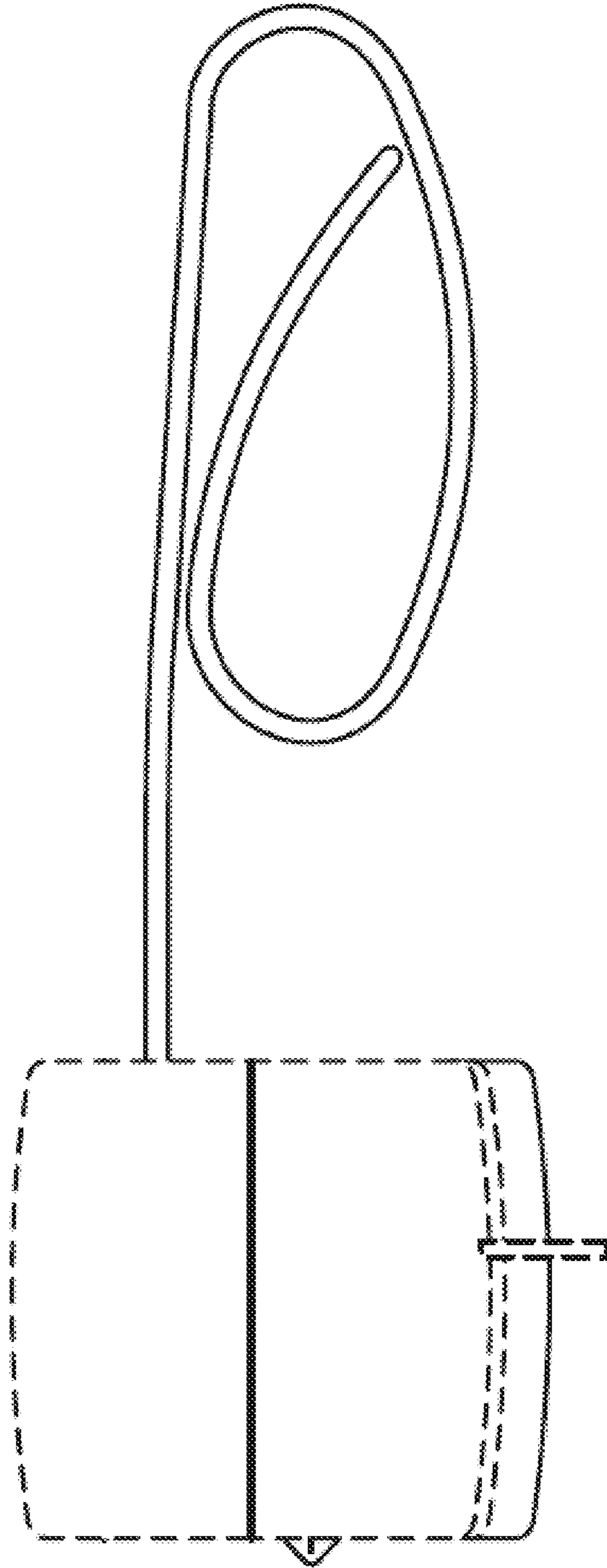


FIG. 5

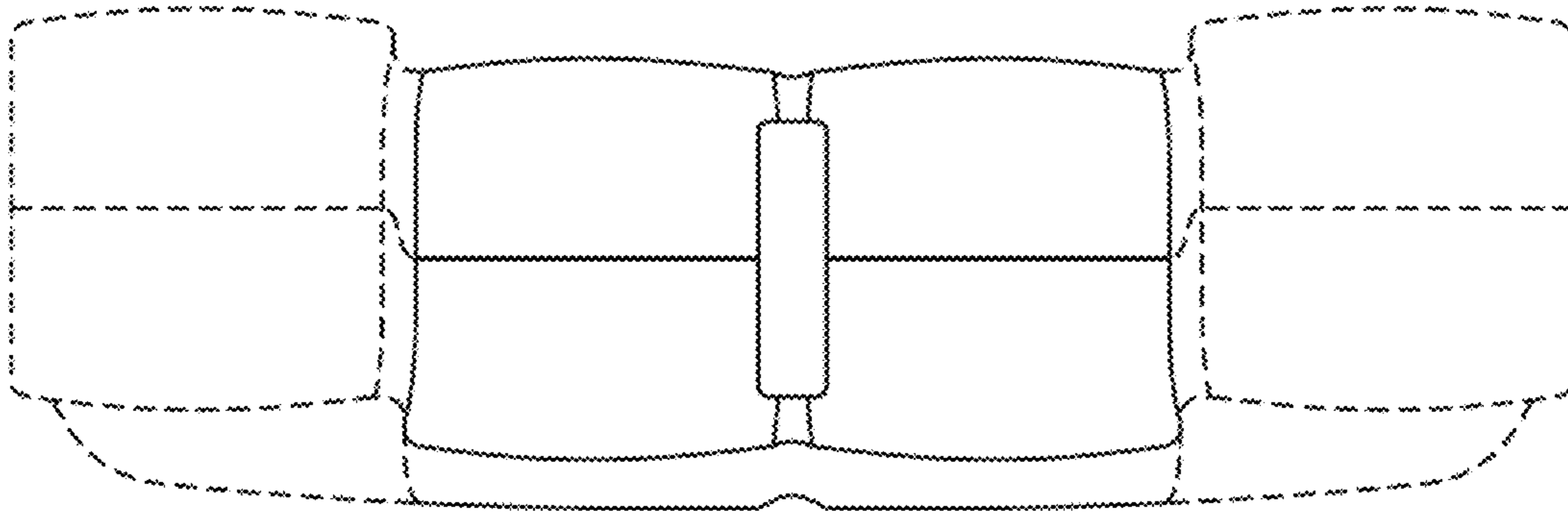


FIG. 6

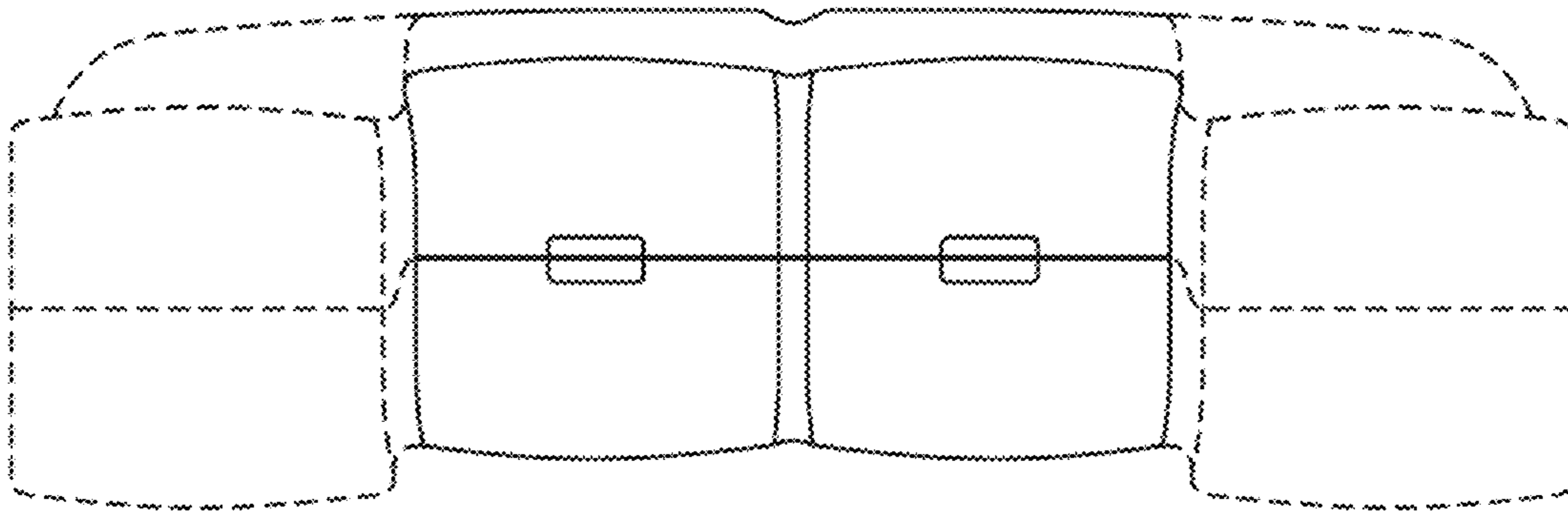


FIG. 7