



US00D788255S

(12) **United States Design Patent**
Rayfield

(10) **Patent No.:** **US D788,255 S**

(45) **Date of Patent:** **** May 30, 2017**

(54) **REMOTELY CONTROLLED TIP UP ASSEMBLY**

(71) Applicant: **Theodore A. Rayfield**, Hayward, WI (US)

(72) Inventor: **Theodore A. Rayfield**, Hayward, WI (US)

(**) Term: **14 Years**

(21) Appl. No.: **29/513,644**

(22) Filed: **Jan. 4, 2015**

(51) **LOC (10) Cl.** **22-05**

(52) **U.S. Cl.**
USPC **D22/137**

(58) **Field of Classification Search**
USPC D22/137
CPC A01K 7/01; A01K 7/02
See application file for complete search history.

(56) **References Cited**

U.S. PATENT DOCUMENTS

2,786,294	A *	3/1957	Whitacre	A01K 97/01 43/17
3,641,693	A *	2/1972	Pinnow	A01K 97/01 116/173
4,285,154	A *	8/1981	Grahl	A01K 97/01 43/17
4,790,099	A *	12/1988	Miller, Jr.	A01K 97/01 43/17
4,821,446	A *	4/1989	Beaulieu, Jr.	A01K 97/02 43/17
6,389,734	B1 *	5/2002	Niles	A01K 97/01 43/17

D746,940	S *	1/2016	Vaillancourt	D22/137
2006/0096151	A1 *	5/2006	Zazzara, Sr.	A01K 97/01 43/17
2007/0227057	A1 *	10/2007	Holmberg	A01K 97/01 43/17
2014/0367506	A1 *	12/2014	Hancock	A01K 89/006 242/283

* cited by examiner

Primary Examiner — George D Kirschbaum

(74) *Attorney, Agent, or Firm* — Tipton L. Randall

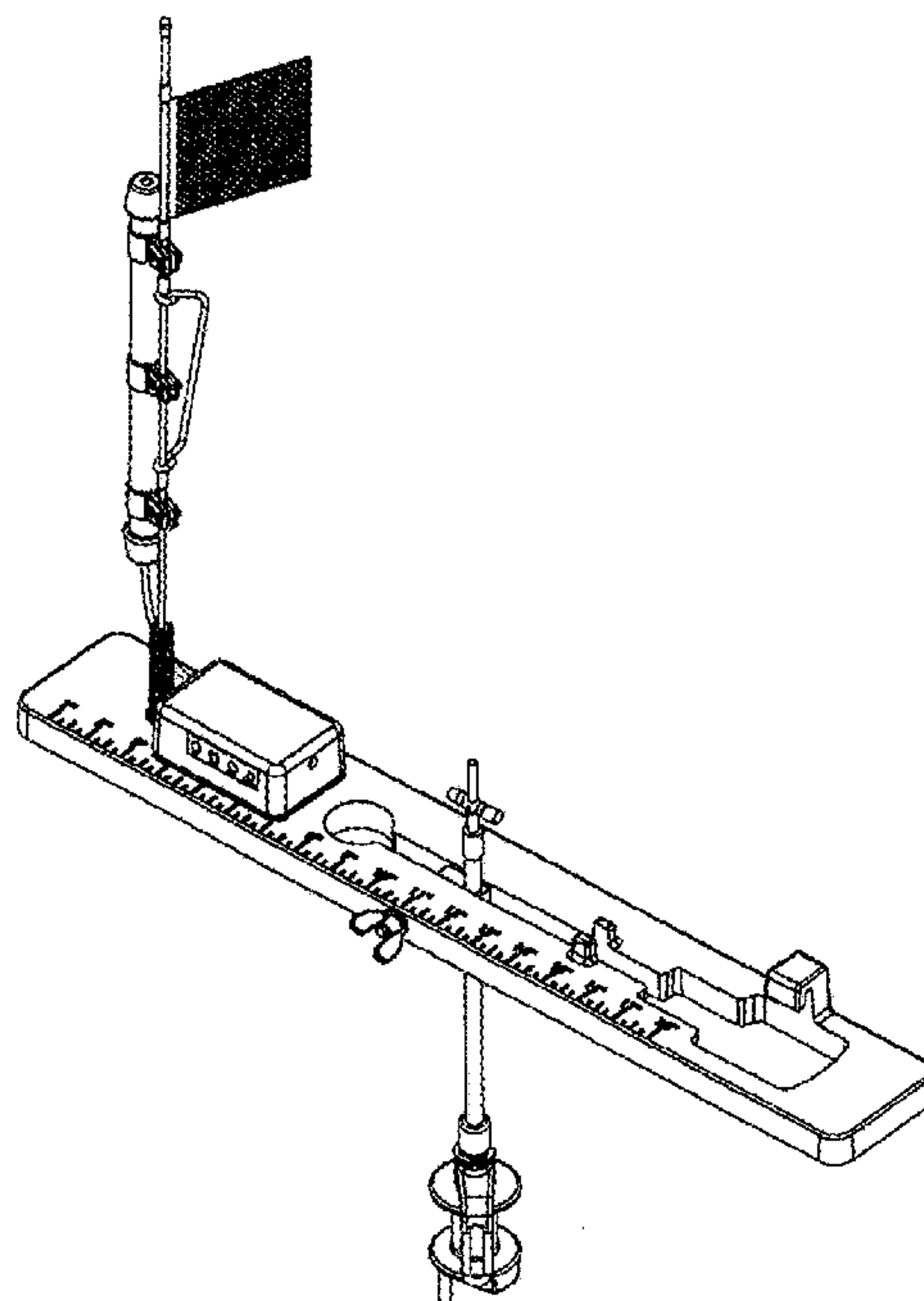
(57) **CLAIM**

The ornamental design for a remotely controlled tip up assembly, as shown and described.

DESCRIPTION

FIG. 1 is a front view of the remotely controlled tip up assembly embodying my new design, with the signal shaft and spool shaft in operating position, FIG. 2 is a rear view thereof, FIG. 3 is a left side view thereof, FIG. 4 is a right side view thereof, FIG. 5 is a top view thereof, FIG. 6 is a bottom view thereof, FIG. 7 is a perspective front view of the remotely controlled tip up assembly of the present invention, FIG. 8 is a perspective front view of the remotely controlled tip up assembly of the present invention with the signal staff and spool shaft in storage position; and, FIG. 9 is a bottom view of the remotely controlled tip up assembly of FIG. 8.

1 Claim, 9 Drawing Sheets



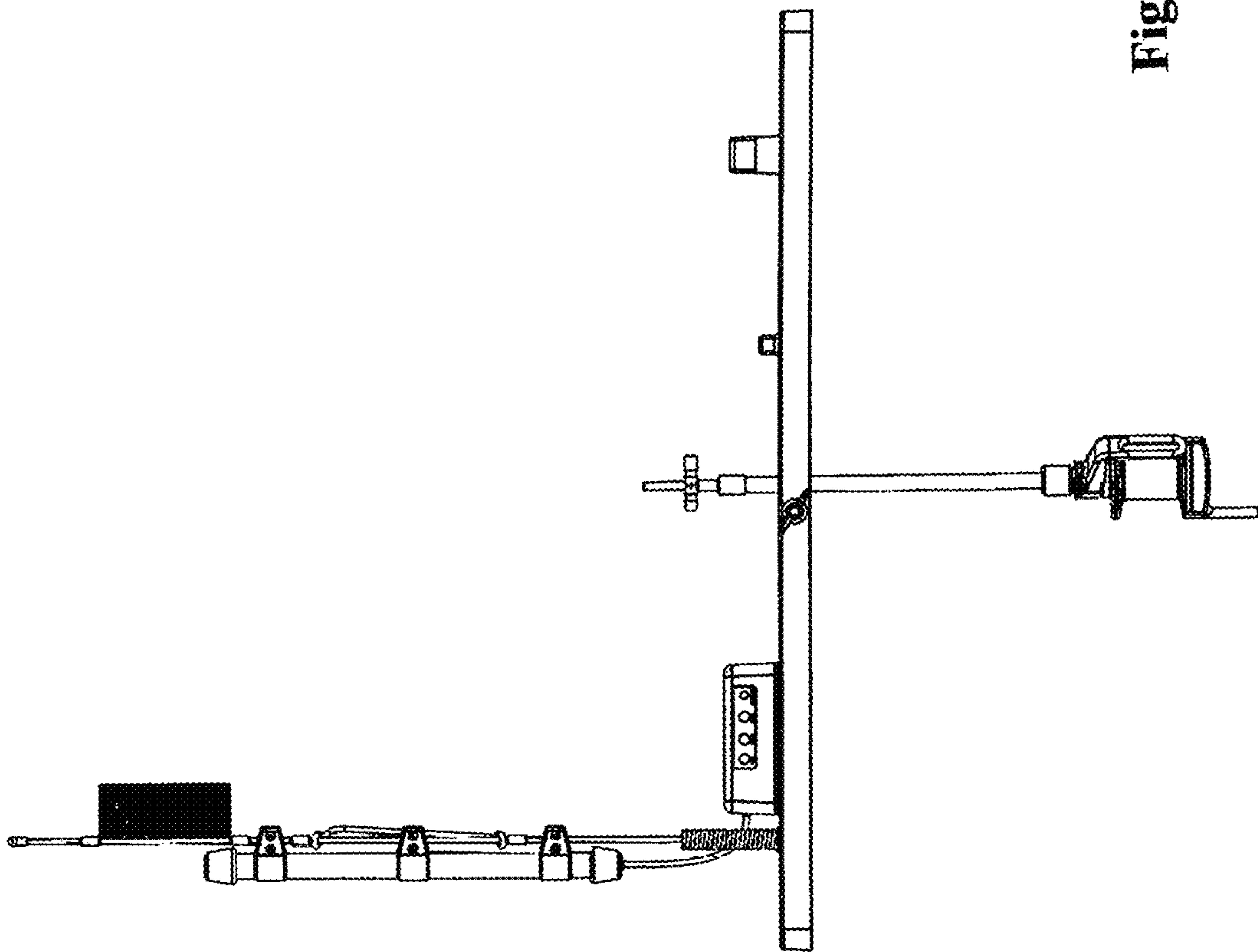


Figure 1

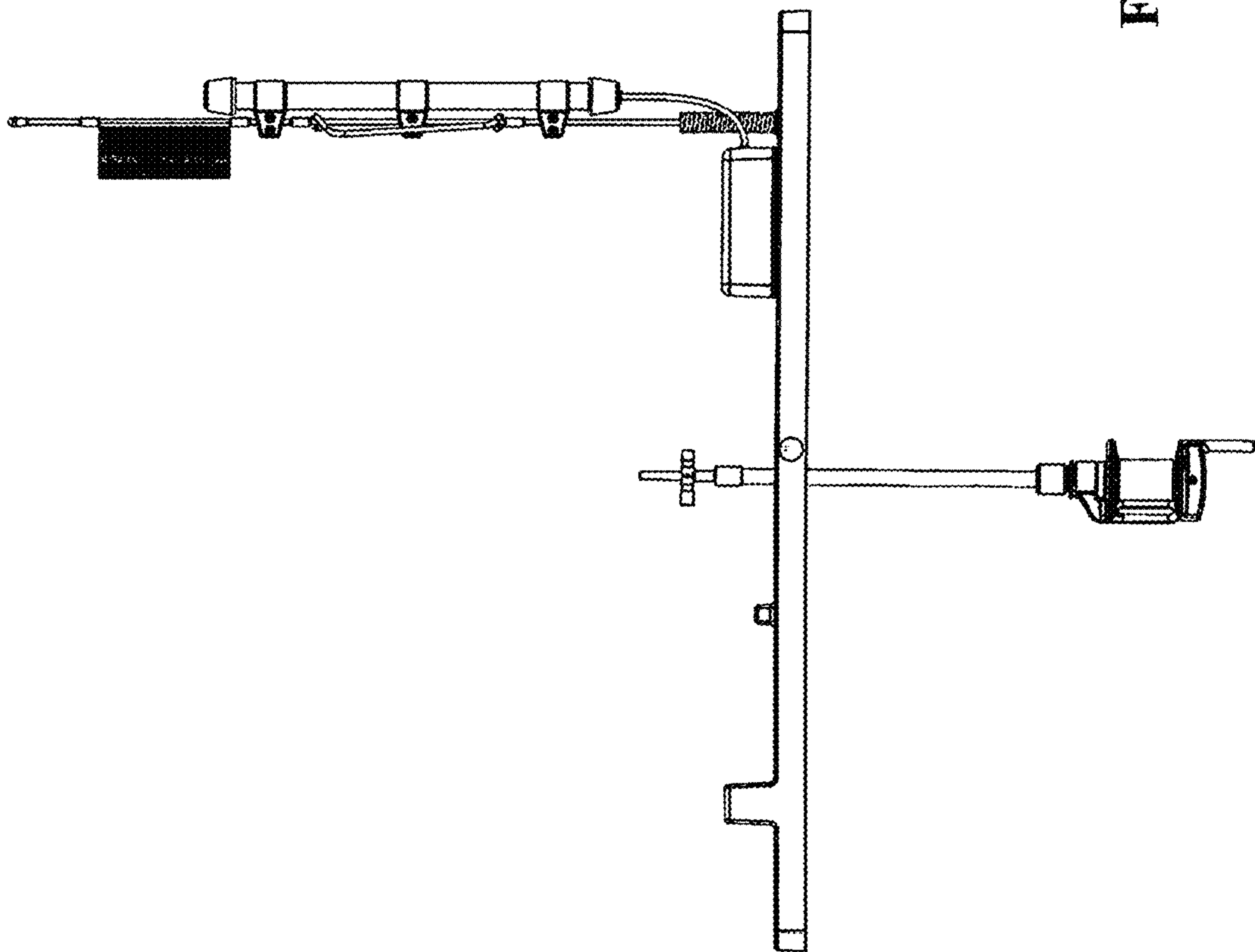


Figure 2

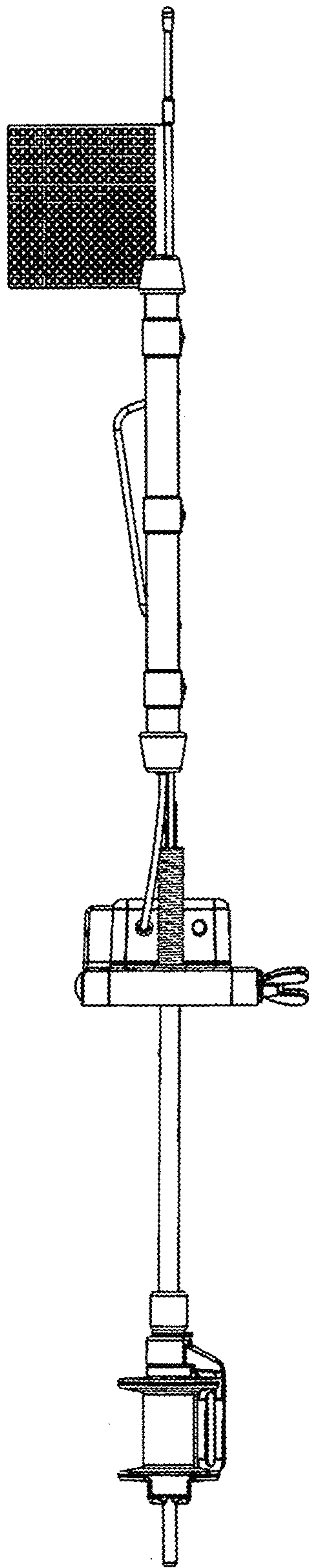


Figure 3

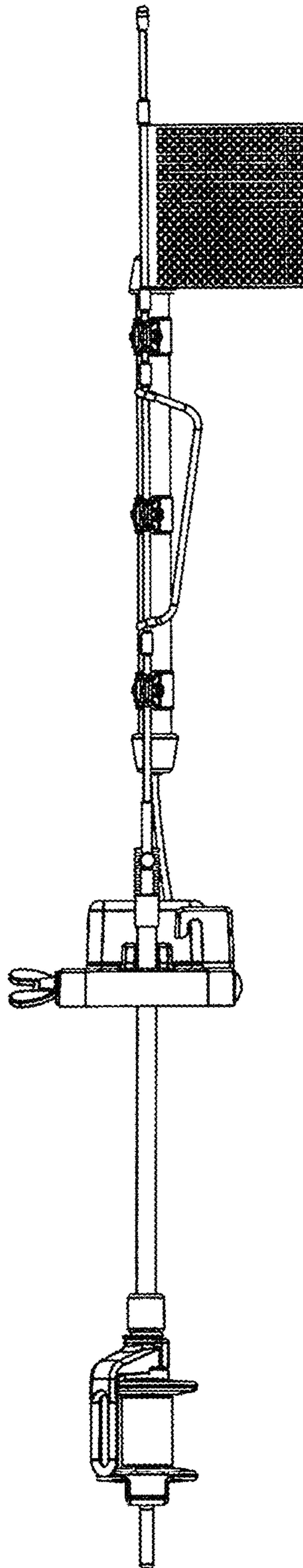


Figure 4

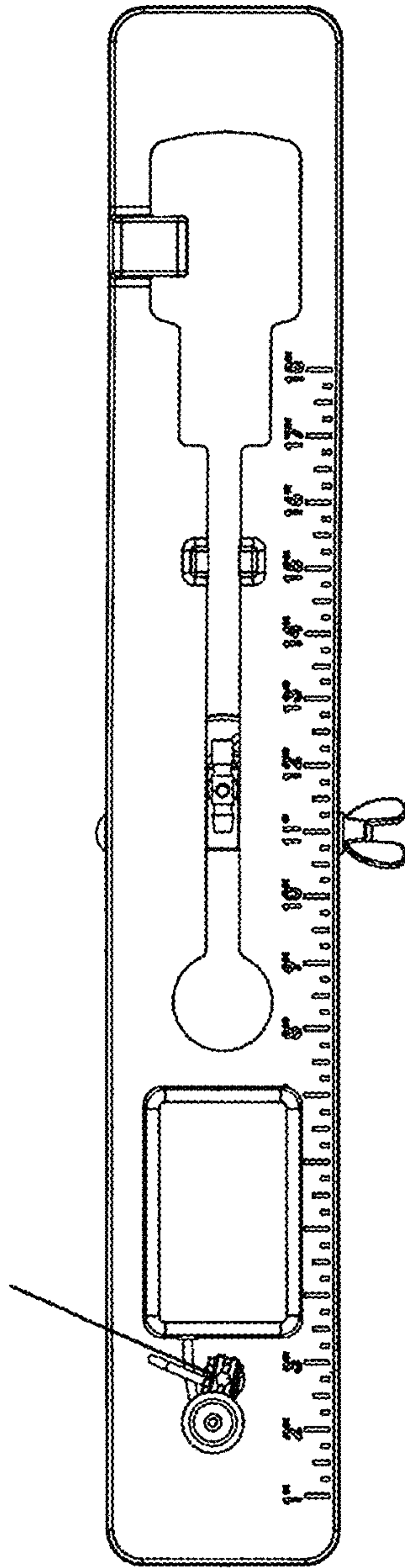


Figure 5

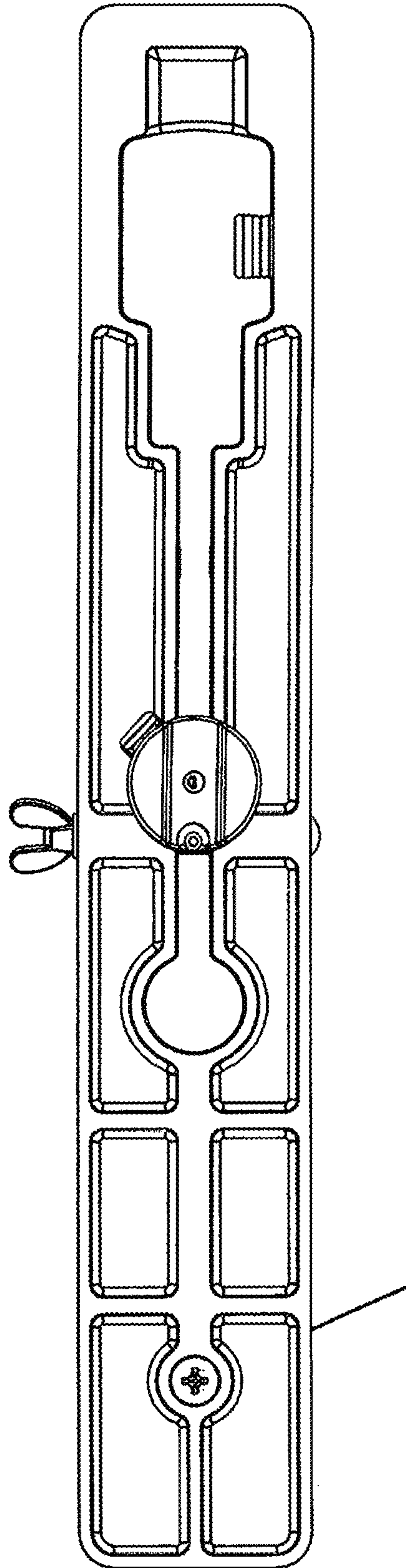


Figure 6

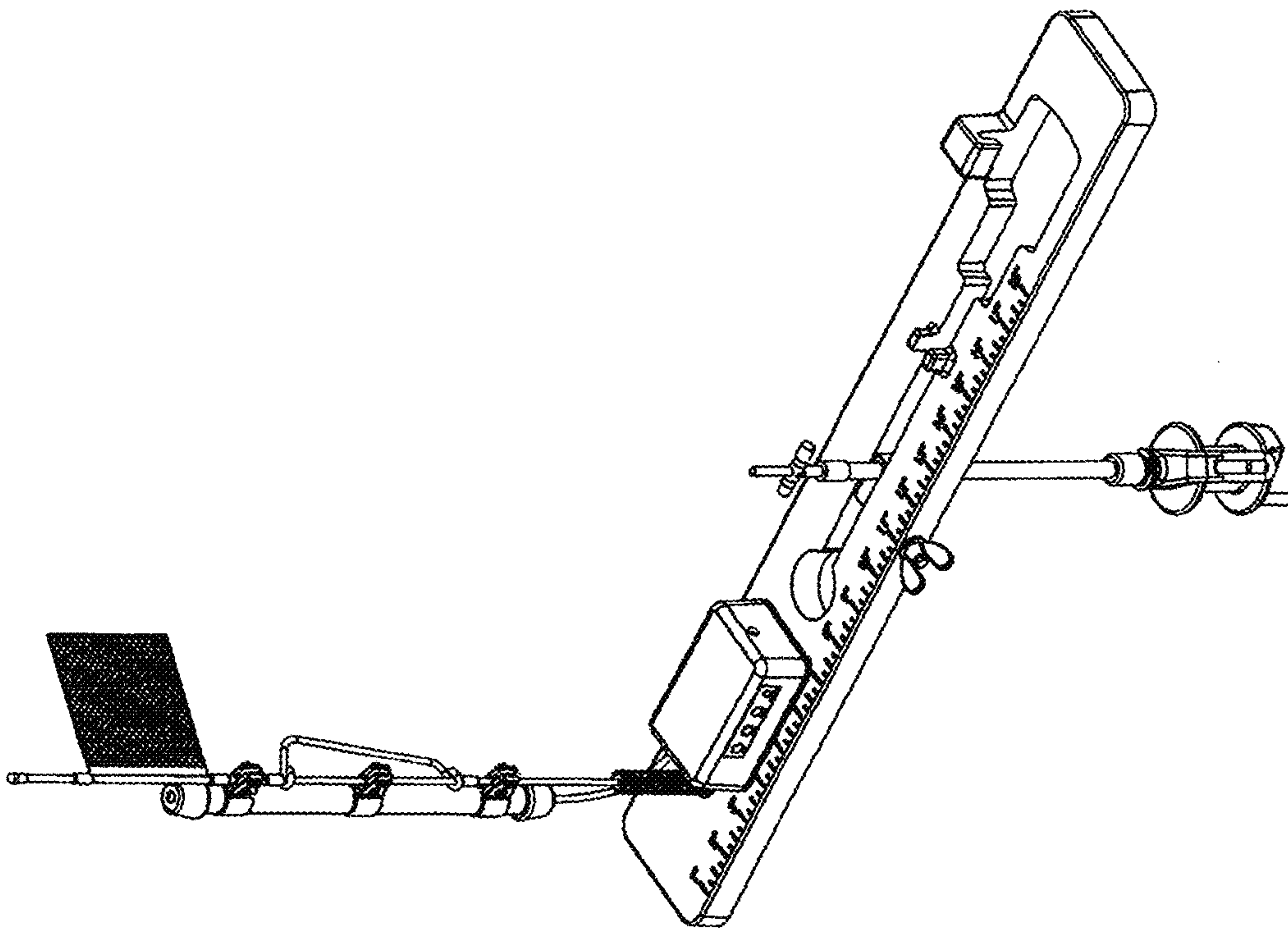


Figure 7

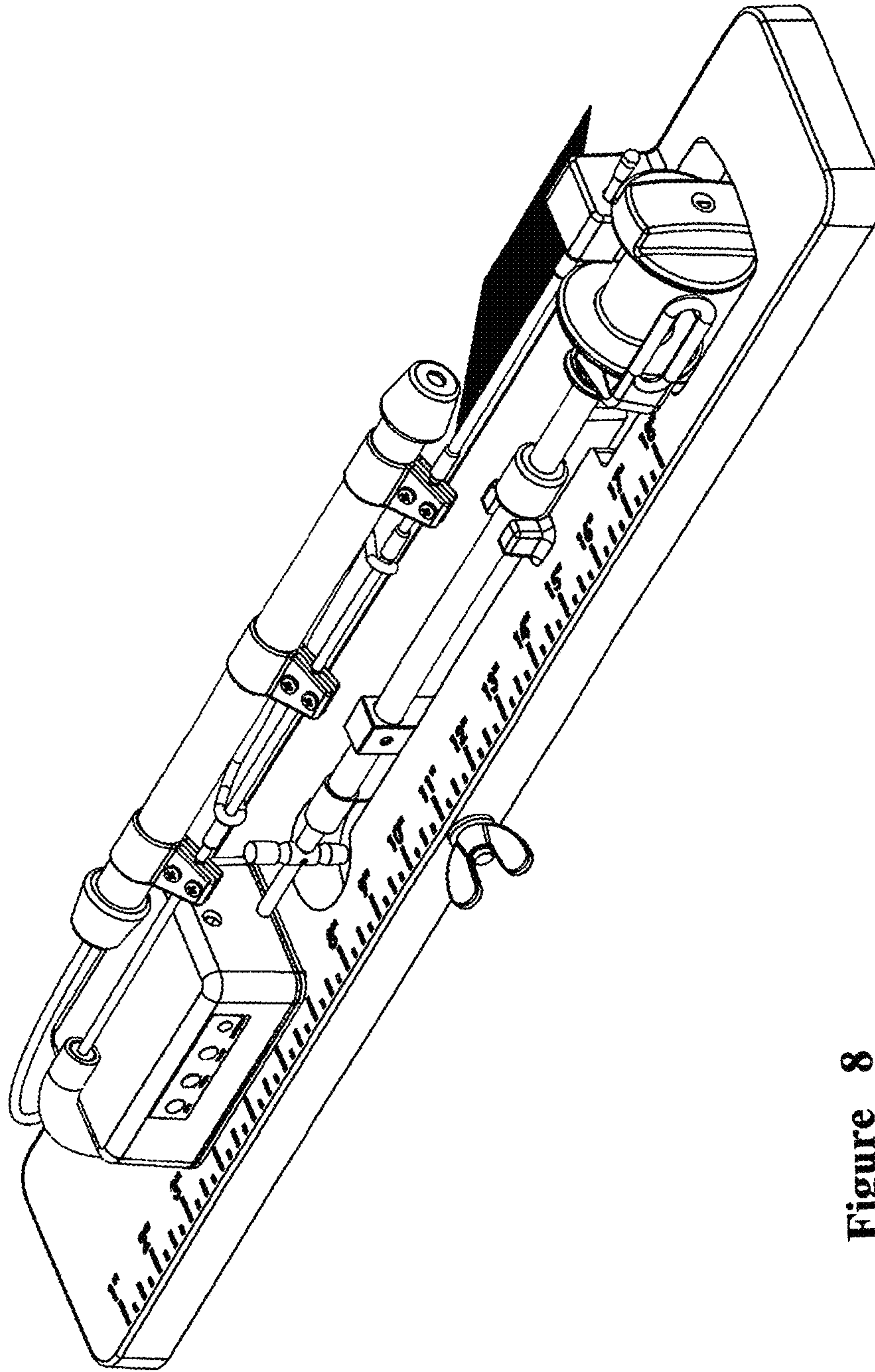


Figure 8

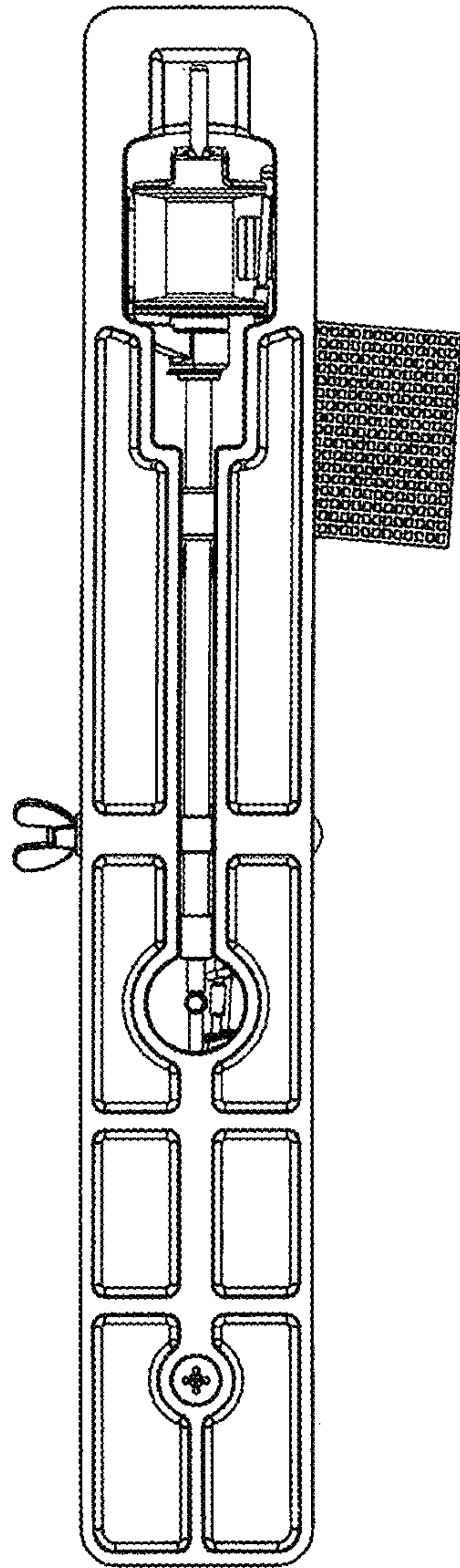


Figure 9