



US00D788254S

(12) **United States Design Patent** (10) **Patent No.:** **US D788,254 S**  
**Baehler** (45) **Date of Patent:** **\*\* May 30, 2017**

(54) **FIREARM SLING RETAINING DEVICE**

(71) Applicant: **Kevin Baehler**, Mesa, AZ (US)

(72) Inventor: **Kevin Baehler**, Mesa, AZ (US)

(\*\*) Term: **15 Years**

(21) Appl. No.: **29/554,191**

(22) Filed: **Feb. 9, 2016**

(51) **LOC (10) Cl.** ..... **22-01**

(52) **U.S. Cl.**  
USPC ..... **D22/108**; D8/356; D11/200; D11/210

(58) **Field of Classification Search**

USPC ..... D25/122; D8/354, 373, 349, 380, 381,  
D8/382, 366, 323, 19, 16, 300-322, 356;  
D22/100, 108, 199; D3/318, 327;  
D29/101.1-101.4; D2/639, 853, 624;  
D30/153; 224/264, 625, 666, 182;  
42/85; 2/460, 312, 310; D11/210, 218,  
D11/200

CPC ..... A45F 2003/142; A45F 3/14; A45F 5/00;  
A45F 2200/0591; A45F 3/047; F41C  
23/02; F41C 33/001; F41C 33/002

See application file for complete search history.

(56) **References Cited**

U.S. PATENT DOCUMENTS

|           |     |         |             |       |                        |
|-----------|-----|---------|-------------|-------|------------------------|
| 581,709   | A * | 5/1897  | Gair        | ..... | A41F 9/002<br>2/312    |
| D143,238  | S * | 12/1945 | Pfefferkorn | ..... | D8/306                 |
| 2,608,733 | A * | 9/1952  | Wilber      | ..... | F41C 33/002<br>224/913 |
| 3,083,885 | A * | 4/1963  | Ware        | ..... | F41C 33/00<br>224/182  |
| 3,153,791 | A * | 10/1964 | White       | ..... | A45F 5/02<br>2/267     |
| D205,007  | S * | 6/1966  | Watson      | ..... | D8/356                 |
| 4,040,147 | A * | 8/1977  | King        | ..... | A45F 5/02<br>224/264   |

(Continued)

OTHER PUBLICATIONS

Undermount Sink Mounting Brackets, earliest comment Jan. 11, 2014, [online], [site visited on Dec. 28, 2016]. Retrieved from <url:http://www.homedepot.com/p/Undermount-Sink-Mounting-Brackets-LKUMB8/202266944>.\*

*Primary Examiner* — Jeffrey D Asch

*Assistant Examiner* — Tracey J Bell

(74) *Attorney, Agent, or Firm* — Schmeiser, Olsen & Watts LLP

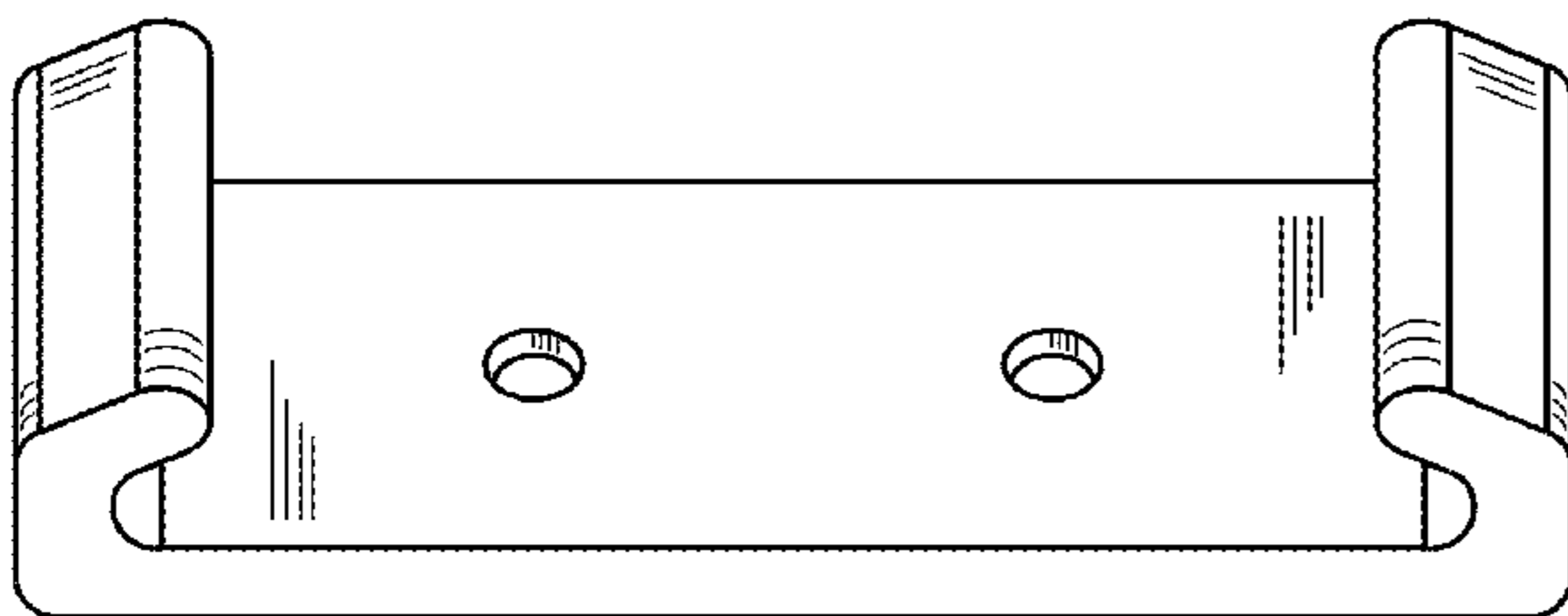
(57) **CLAIM**

The ornamental design for the firearm sling retaining device, as shown and described.

**DESCRIPTION**

FIG. 1 is a first perspective view of the firearm sling retaining device;  
 FIG. 2 is front view of the firearm sling retaining device;  
 FIG. 3 is a rear view of the firearm sling retaining device;  
 FIG. 4 is a second perspective view of the firearm sling retaining device;  
 FIG. 5 is a bottom perspective view of the firearm sling retaining device;  
 FIG. 6 is a top view of the firearm sling retaining device;  
 FIG. 7 is a bottom view of the firearm sling retaining device;  
 FIG. 8 is a right side view of the firearm sling retaining device;  
 FIG. 9 is a left side view of the firearm sling retaining device;  
 FIG. 10 is a front view of the firearm sling retaining device coupled to a set of clothing suspenders, the suspenders shown in broken lines;  
 FIG. 11 is a front view of the firearm sling retaining device coupled to a sash, the sash shown in broken lines; and,  
 FIG. 12 is a perspective view of the firearm sling retaining device coupled to the shoulder strap of a backpack, the backpack shown in broken lines.  
 The elements shown in broken lines in FIGS. 10, 11, and 12 are included for the purpose of illustrating environment and form no part of the claimed design.

**1 Claim, 6 Drawing Sheets**



(56)

**References Cited**

U.S. PATENT DOCUMENTS

4,153,314 A \* 5/1979 Prater ..... A45C 13/26  
 16/110.1  
 4,832,367 A \* 5/1989 Lisenby ..... B60R 22/024  
 24/265 R  
 D376,994 S \* 12/1996 Norris ..... D11/218  
 5,590,545 A \* 1/1997 Norris ..... A41F 15/02  
 2/323  
 D382,985 S \* 9/1997 Richmond ..... D2/624  
 5,935,044 A \* 8/1999 Brewster ..... A41F 15/02  
 2/323  
 6,408,495 B2 \* 6/2002 Ida ..... A44B 13/0035  
 2/219  
 D476,263 S \* 6/2003 Walters ..... D11/200  
 7,380,692 B2 \* 6/2008 Kostal ..... A45F 5/02  
 224/269

D583,706 S \* 12/2008 Gilbert ..... D11/210  
 7,725,958 B1 \* 6/2010 Gilmore ..... A45F 5/02  
 2/310  
 7,856,672 B1 \* 12/2010 Koehler ..... A41F 9/002  
 2/312  
 8,464,920 B2 \* 6/2013 Meyer ..... A45F 3/04  
 224/627  
 D694,089 S \* 11/2013 Boland ..... D8/313  
 D705,123 S \* 5/2014 Thompson ..... D11/210  
 2006/0048431 A1 \* 3/2006 Weir ..... F41C 23/02  
 42/85  
 2012/0305616 A1 \* 12/2012 Smith ..... A45F 3/04  
 224/614  
 2014/0033398 A1 \* 2/2014 Spina, Sr. .... A41F 19/00  
 2/327  
 2015/0135409 A1 \* 5/2015 Mongan ..... A41F 9/00  
 2/312

\* cited by examiner

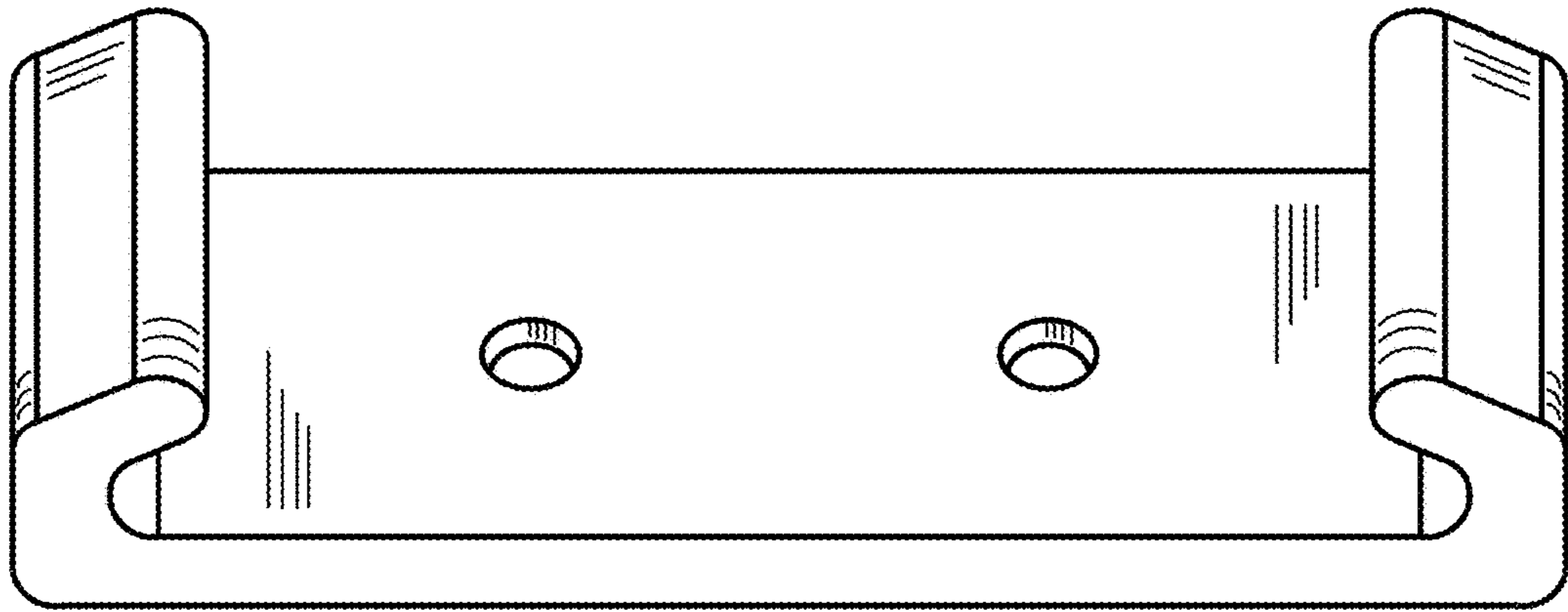


FIG. 1

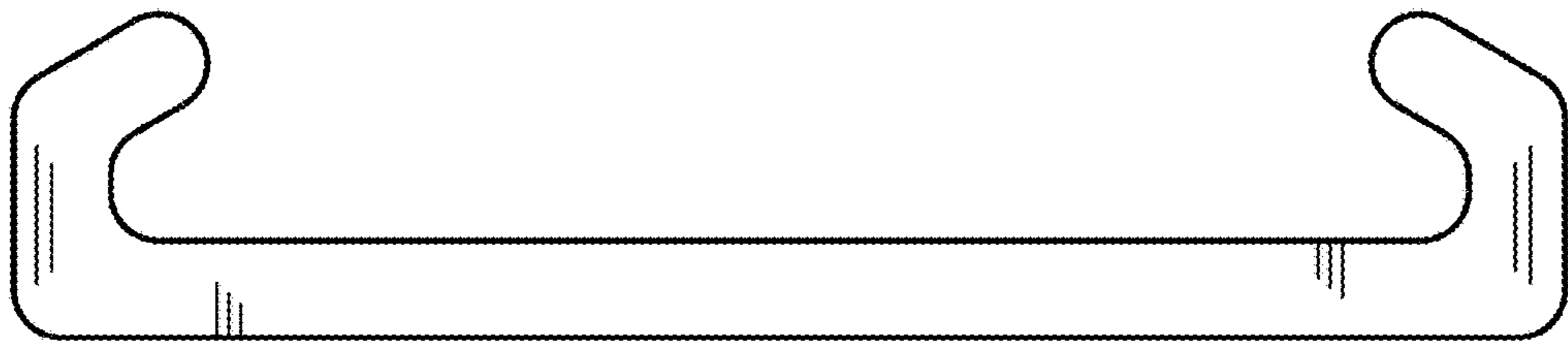


FIG. 2



FIG. 3

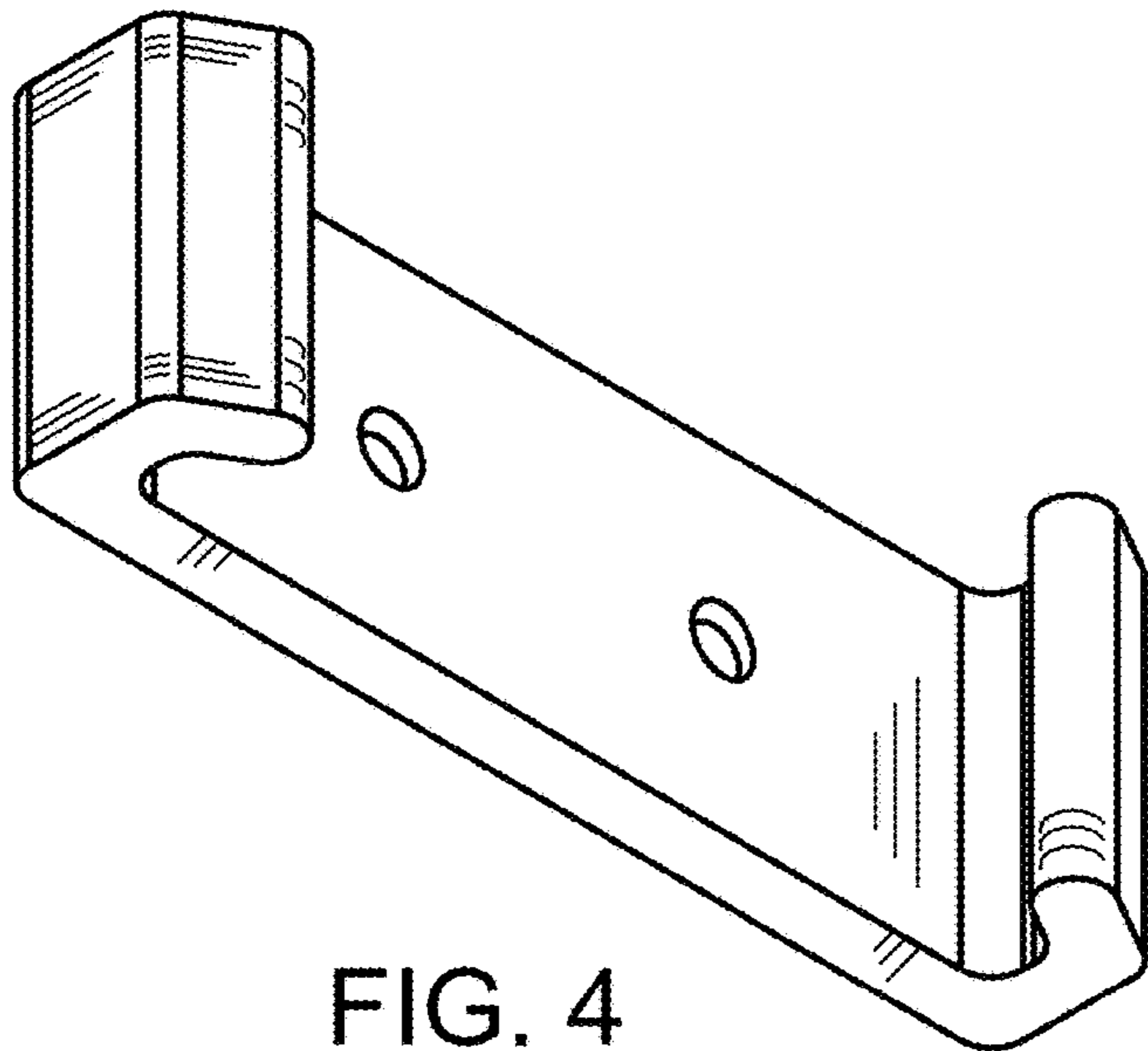


FIG. 4

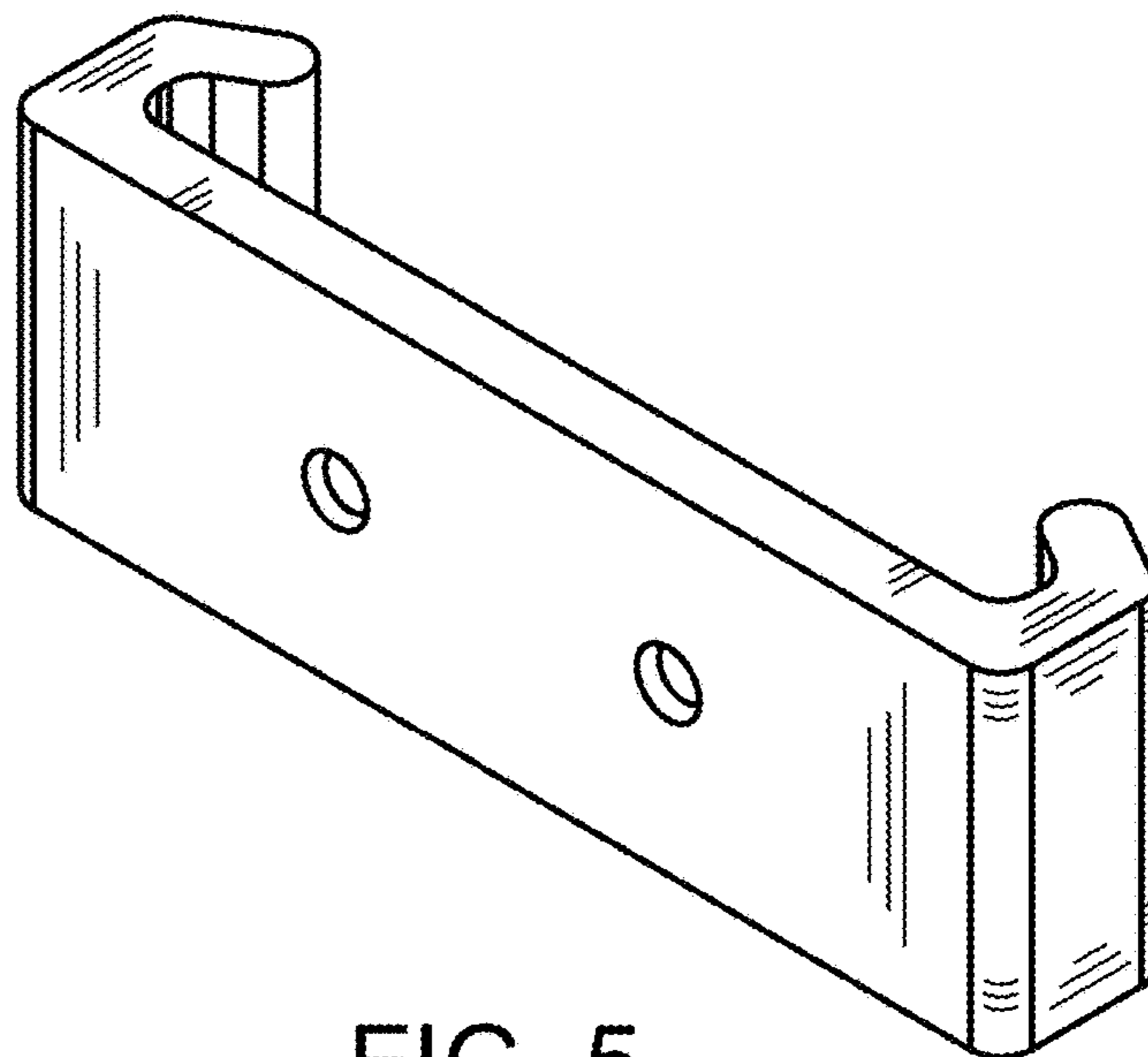


FIG. 5

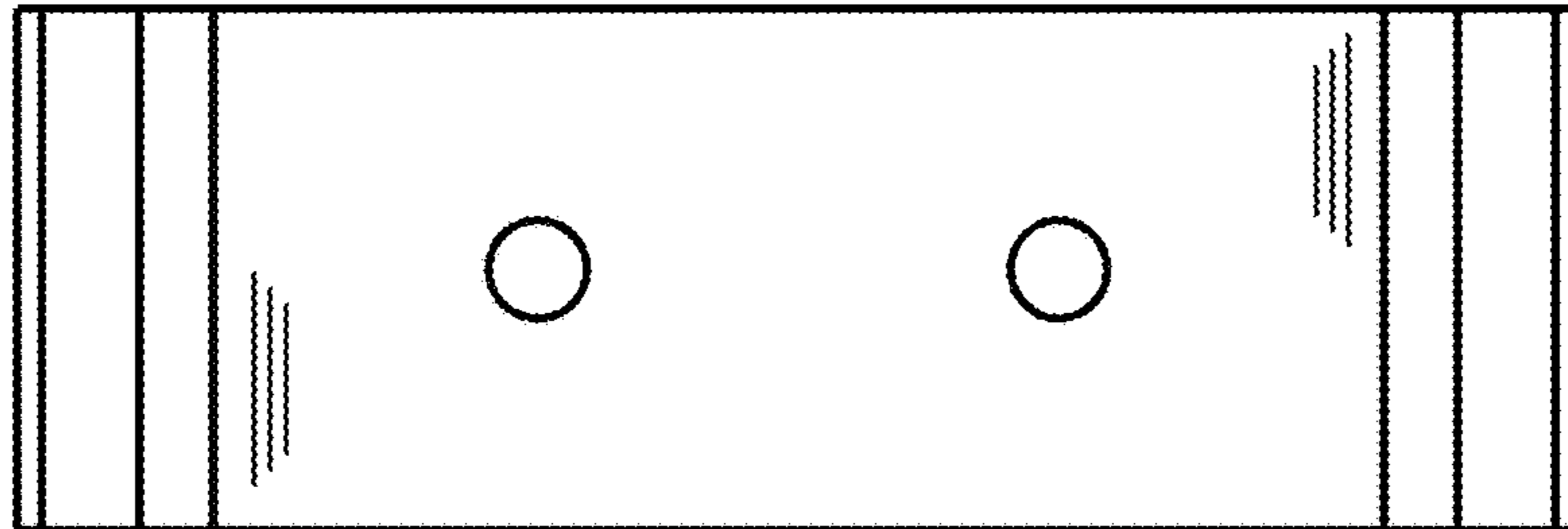


FIG. 6

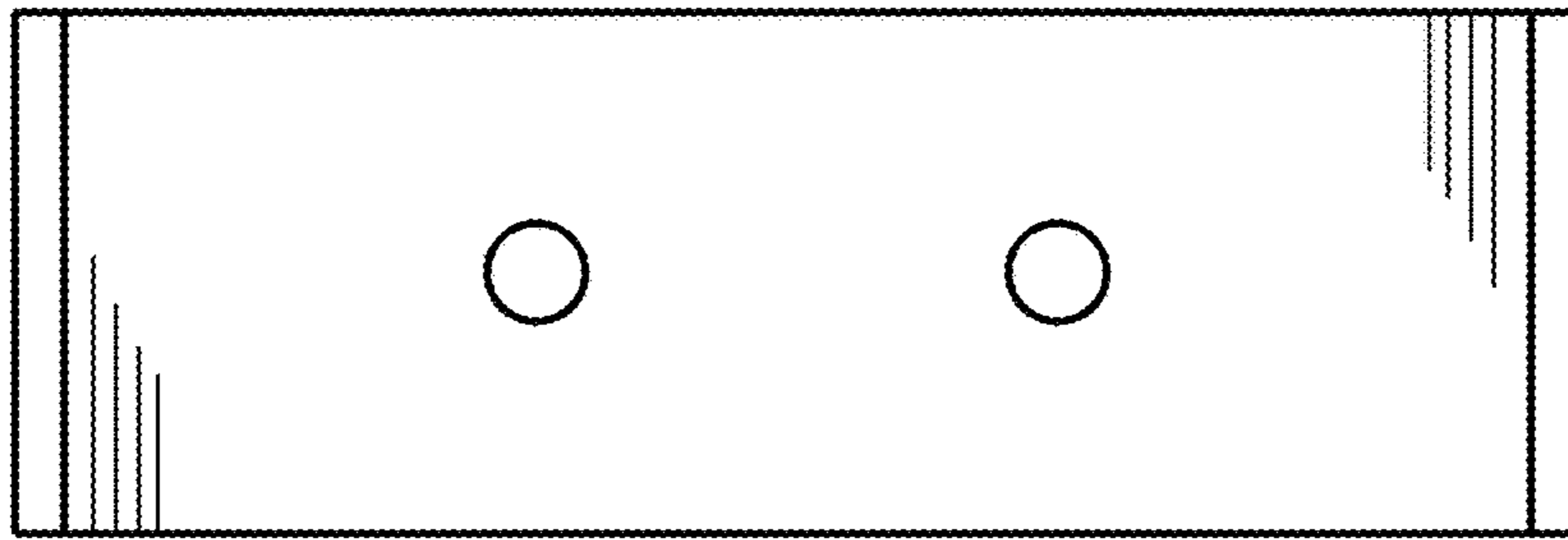


FIG. 7

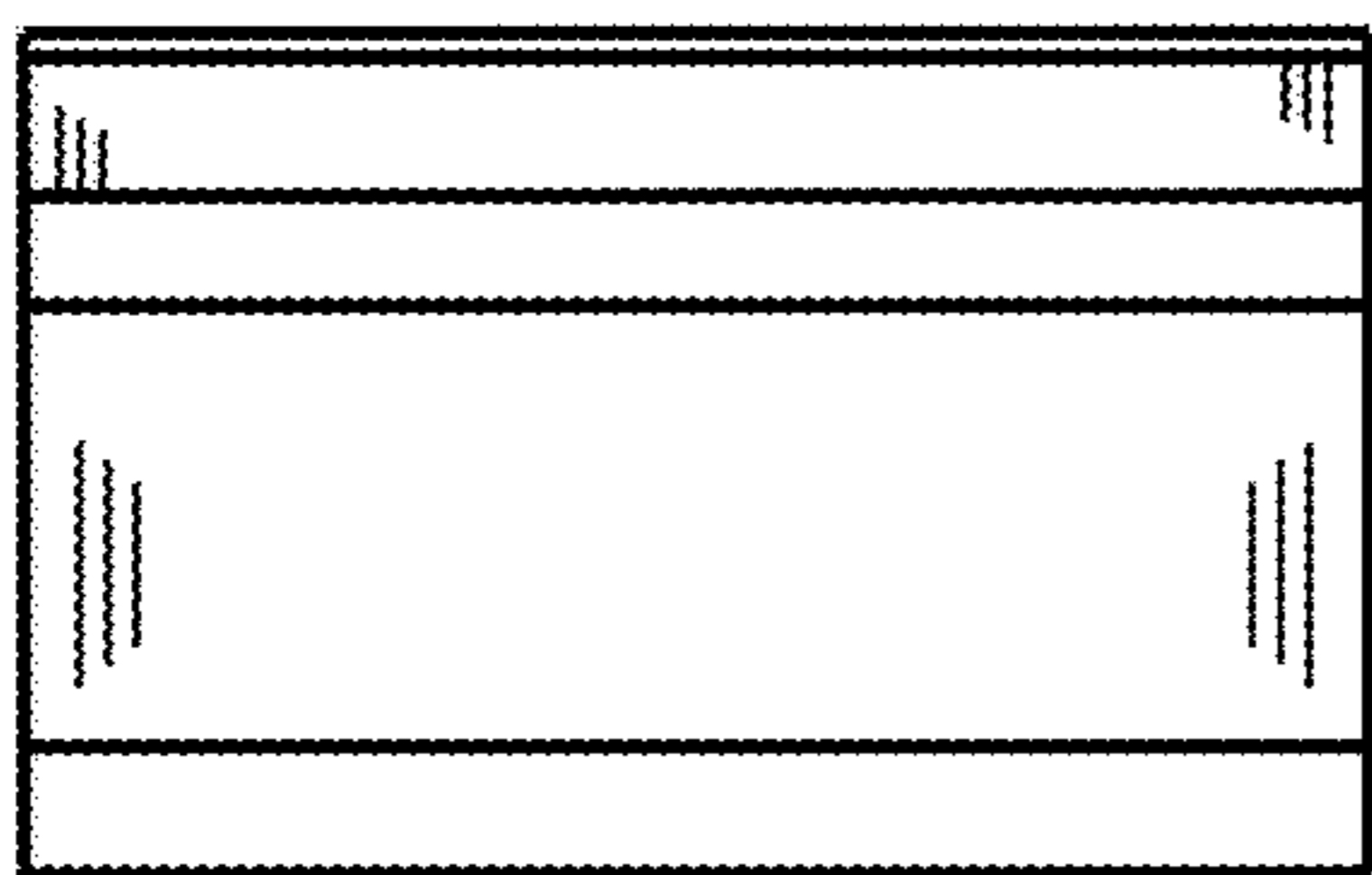


FIG. 8

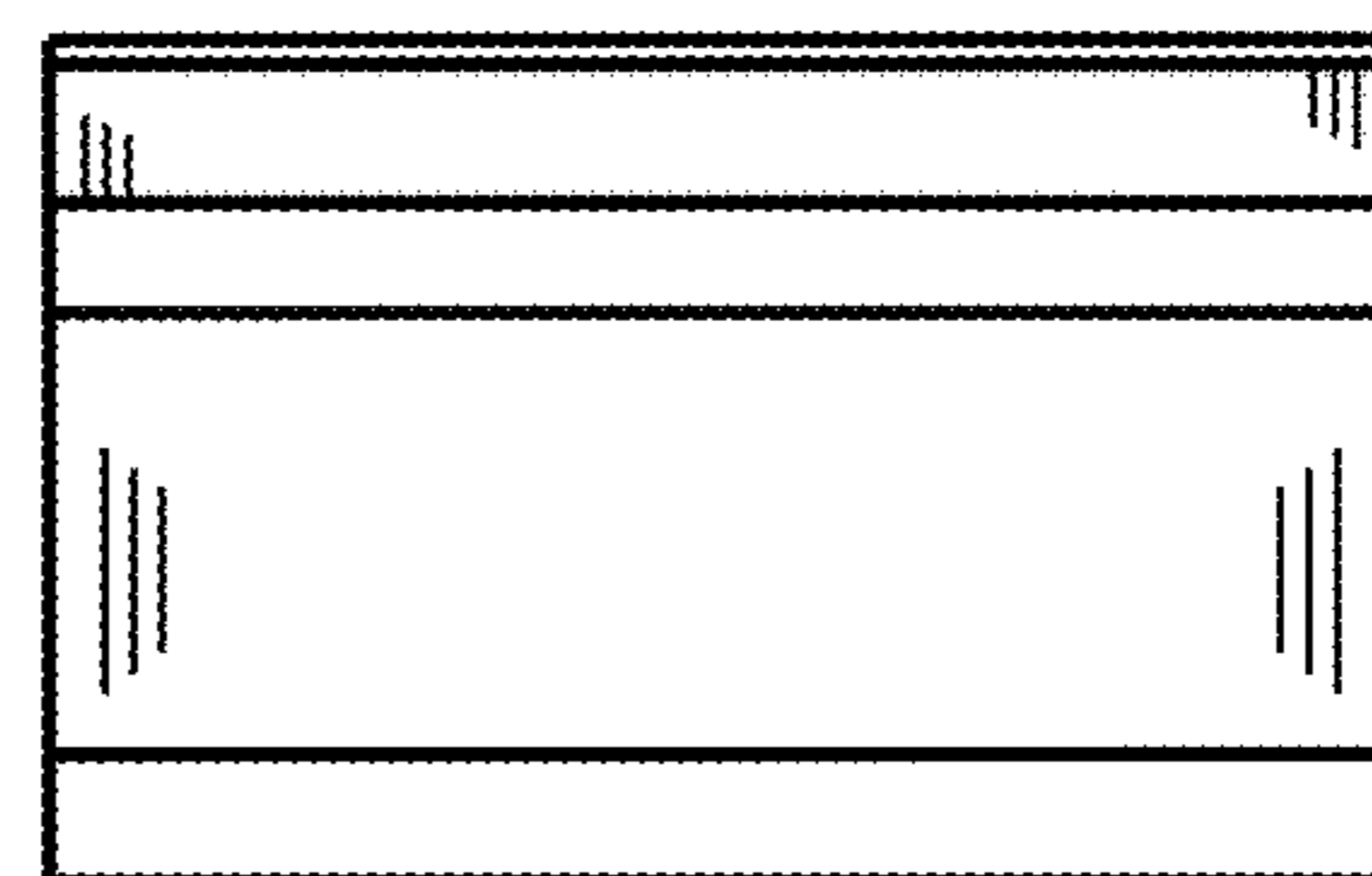


FIG. 9

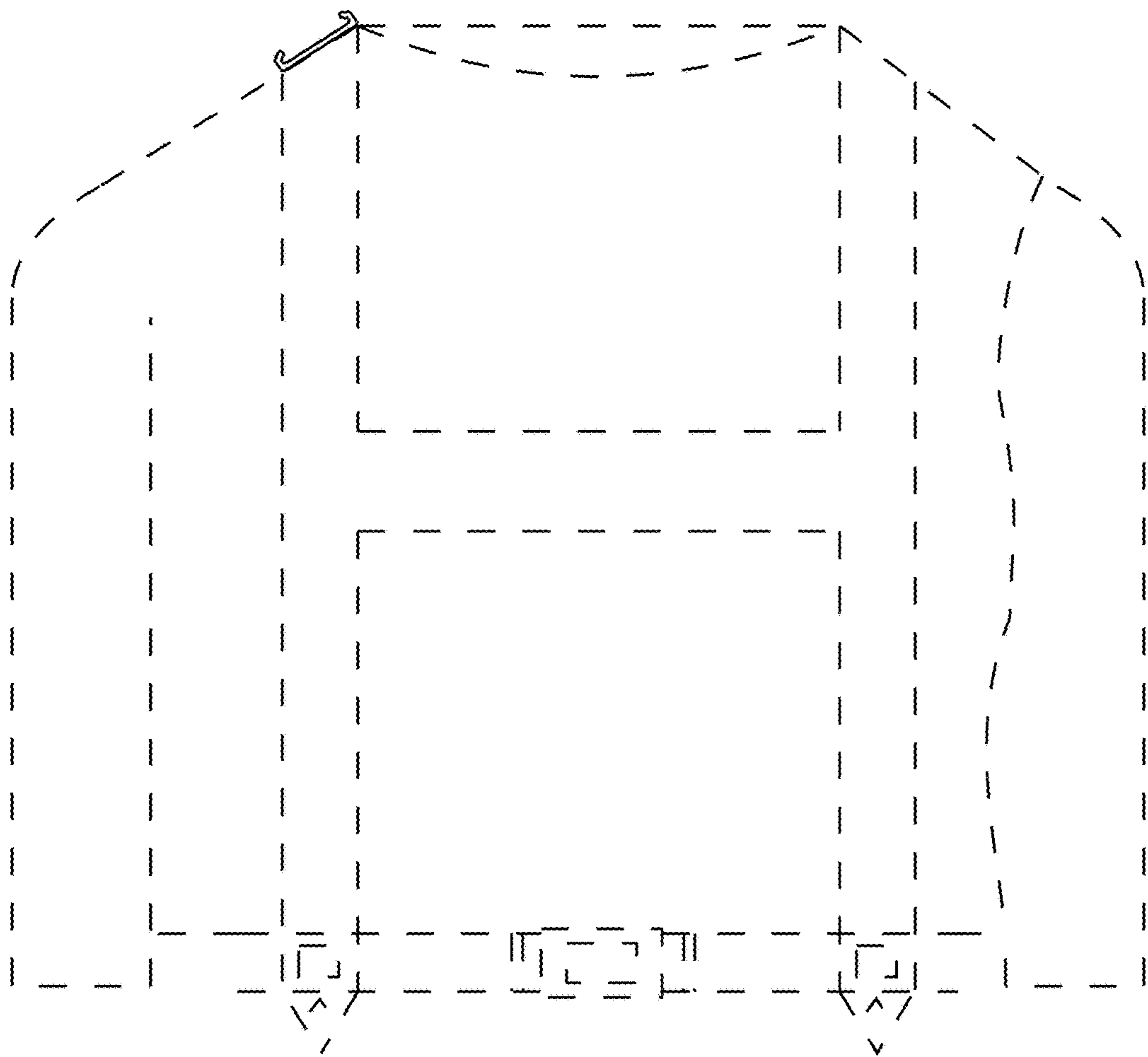


FIG. 10

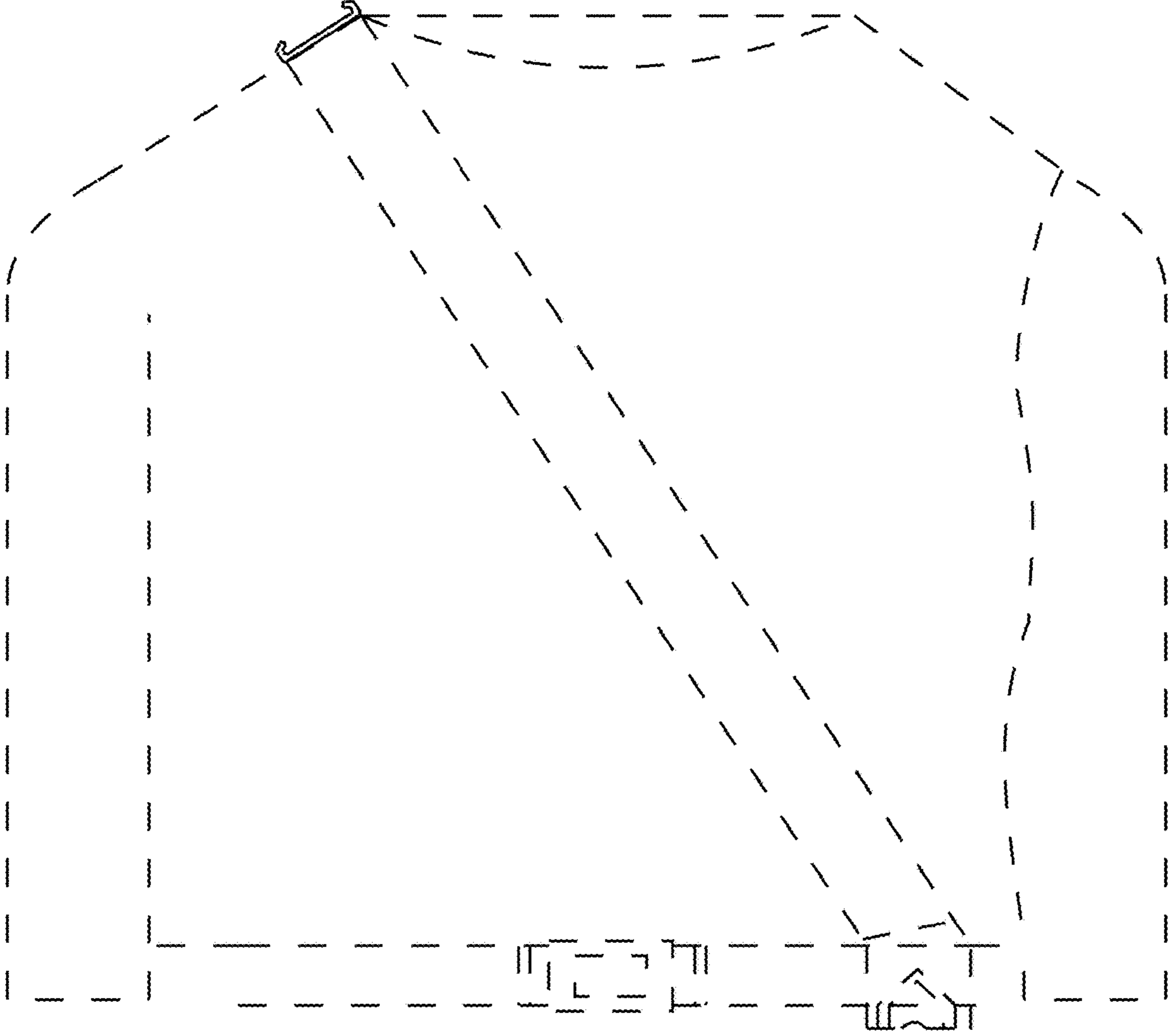


FIG. 11

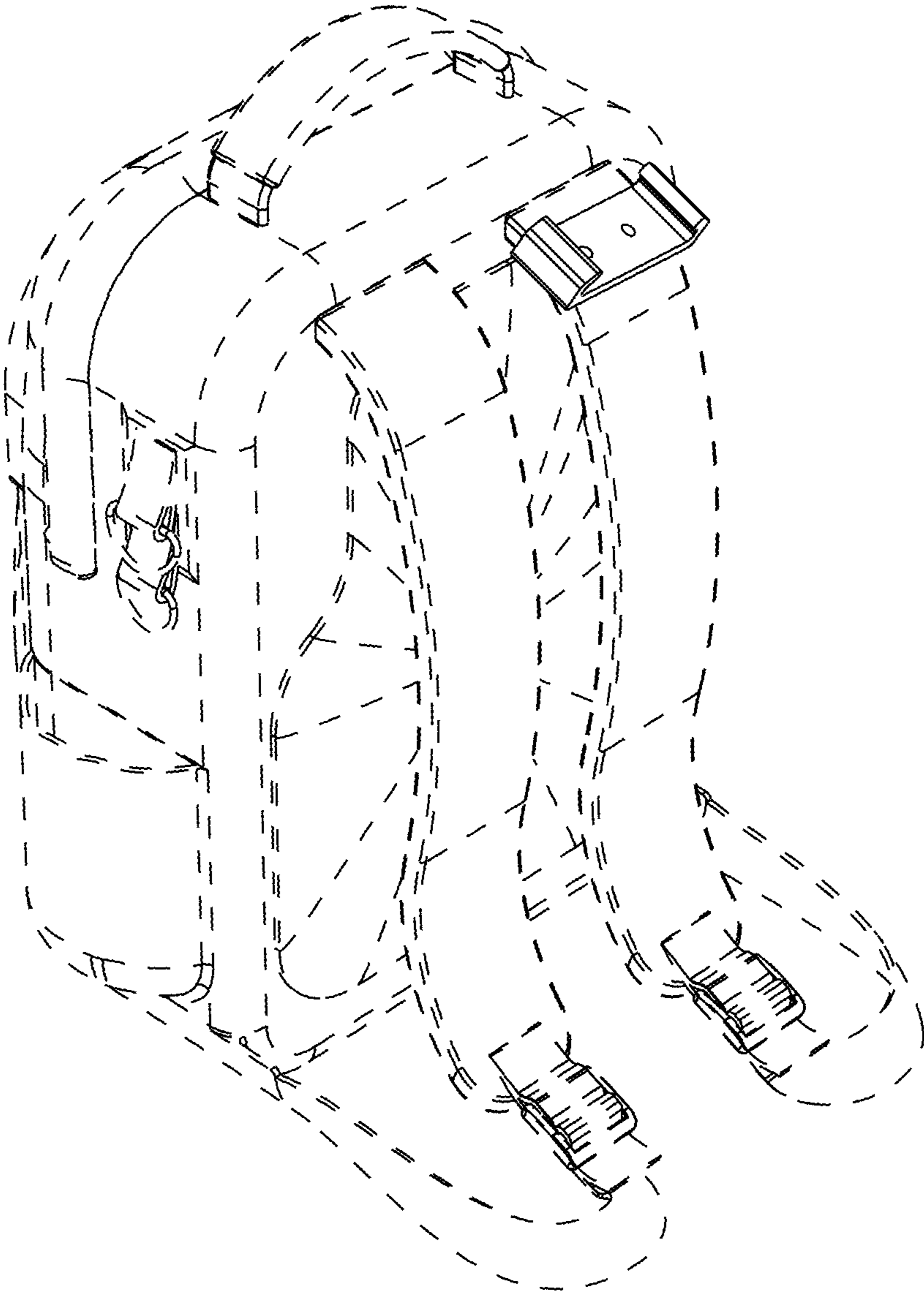


FIG. 12