



US00D788253S

(12) **United States Design Patent**
Sapio et al.

(10) **Patent No.:** **US D788,253 S**

(45) **Date of Patent:** **** May 30, 2017**

(54) **CYLINDER FOR A REVOLVER**

(71) Applicant: **Kimber IP, LLC**, Yonkers, NY (US)

(72) Inventors: **Daniel Edward Sapio**, Mount Vernon, NY (US); **Ronald Richard Dudzic, Jr.**, Tarrytown, NY (US); **Lee Griswold**, Bethel, CT (US); **Maureen Lincoln**, Yonkers, NY (US)

(73) Assignee: **Kimber IP, LLC**, Yonkers, NY (US)

(**) Term: **15 Years**

(21) Appl. No.: **29/551,854**

(22) Filed: **Jan. 18, 2016**

(51) **LOC (10) Cl.** **22-01**

(52) **U.S. Cl.**
USPC **D22/108**

(58) **Field of Classification Search**
USPC D22/104, 105, 108, 109; 89/111–113, 89/136; 359/399, 823, 744; 42/59, 64, 42/68, 71.02, 77, 104, 105, 111–113, 116, 42/120, 124–129, 133–148; 33/227, 229
CPC F41A 9/85; F41C 3/14; F41C 3/16; F41C 3/04; F41G 1/00; F41G 1/01; F41G 1/02; F41G 1/06; F41G 1/065; F41G 1/08; F41G 1/10; F41G 1/12; F41G 1/14; F41G 1/30; F41G 1/32; F41G 1/38; F41G 1/40; F41G 1/42; F41G 1/44; F41G 1/46; F41G 1/383; F41G 1/387; F41G 1/393; F41G 3/00; F41G 3/005; F41G 3/02; F41G 3/04; F41G 3/06; F41G 3/14; F41G 11/002; F41G 11/003; F41G 11/004; F41G 11/005

See application file for complete search history.

(56) **References Cited**

U.S. PATENT DOCUMENTS

759,415 A * 5/1904 Bourne F41C 23/10
42/71.02
822,646 A * 6/1906 Bourne F41C 23/10
42/71.02

RE12,502 E * 7/1906 Bourne 42/71.02
1,860,112 A * 5/1932 Moore F41C 3/14
42/59
1,940,362 A * 12/1933 McClarin, Sr. F41C 23/10
42/71.02
1,962,775 A * 6/1934 Jones F41C 23/10
42/71.02

(Continued)

OTHER PUBLICATIONS

Preview: The Kimber K6s Revolver, LuckyGunner.com, by Chris Baker, Jan. 20, 2016, [online], [site visited Jan. 6, 2017]. <URL: <http://www.luckygunner.com/lounge/kimber-k6s/>>.*

(Continued)

Primary Examiner — T. Chase Nelson

Assistant Examiner — Jonathan J Han

(74) *Attorney, Agent, or Firm* — Caesar Rivise, PC

(57) **CLAIM**

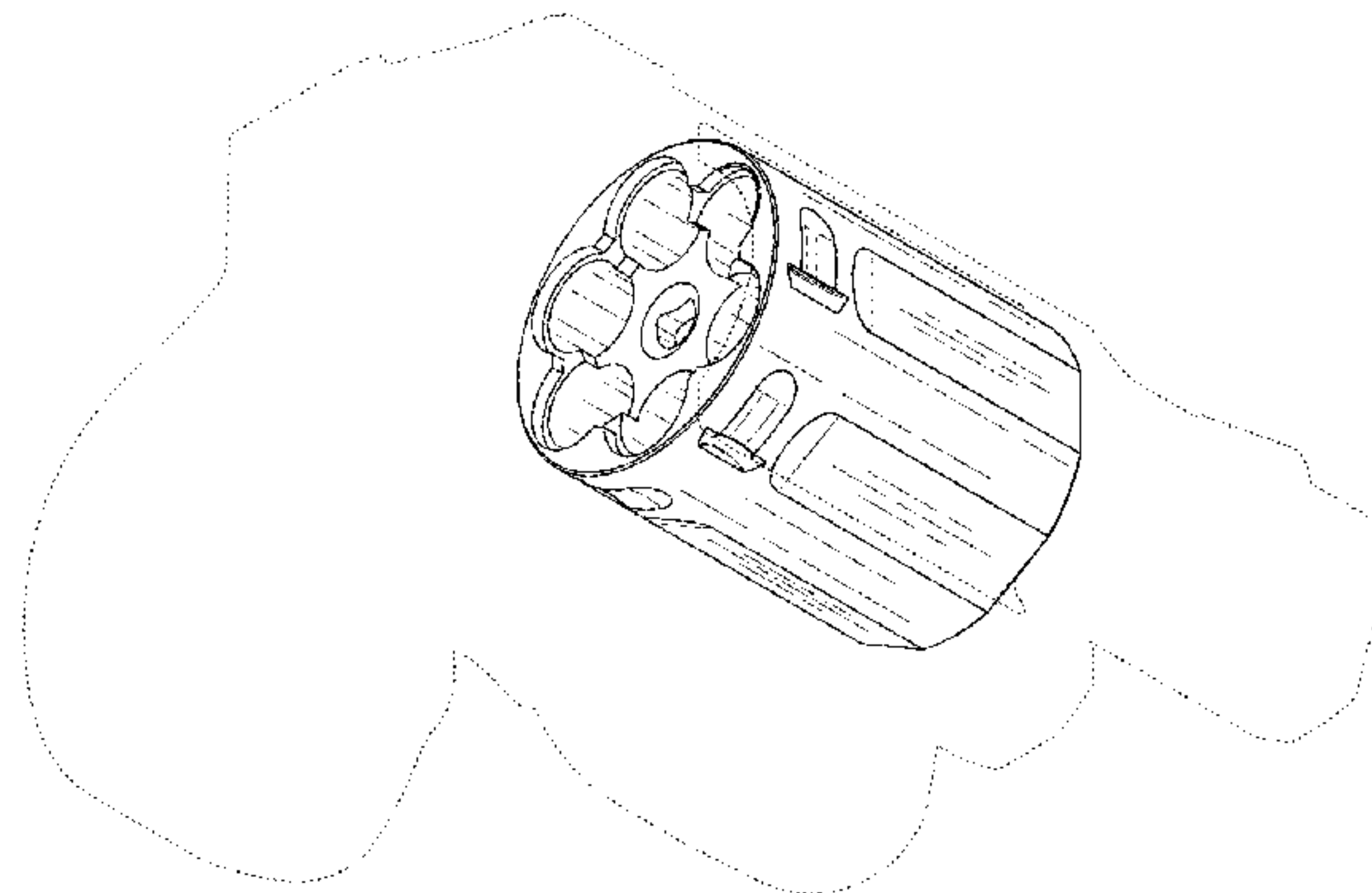
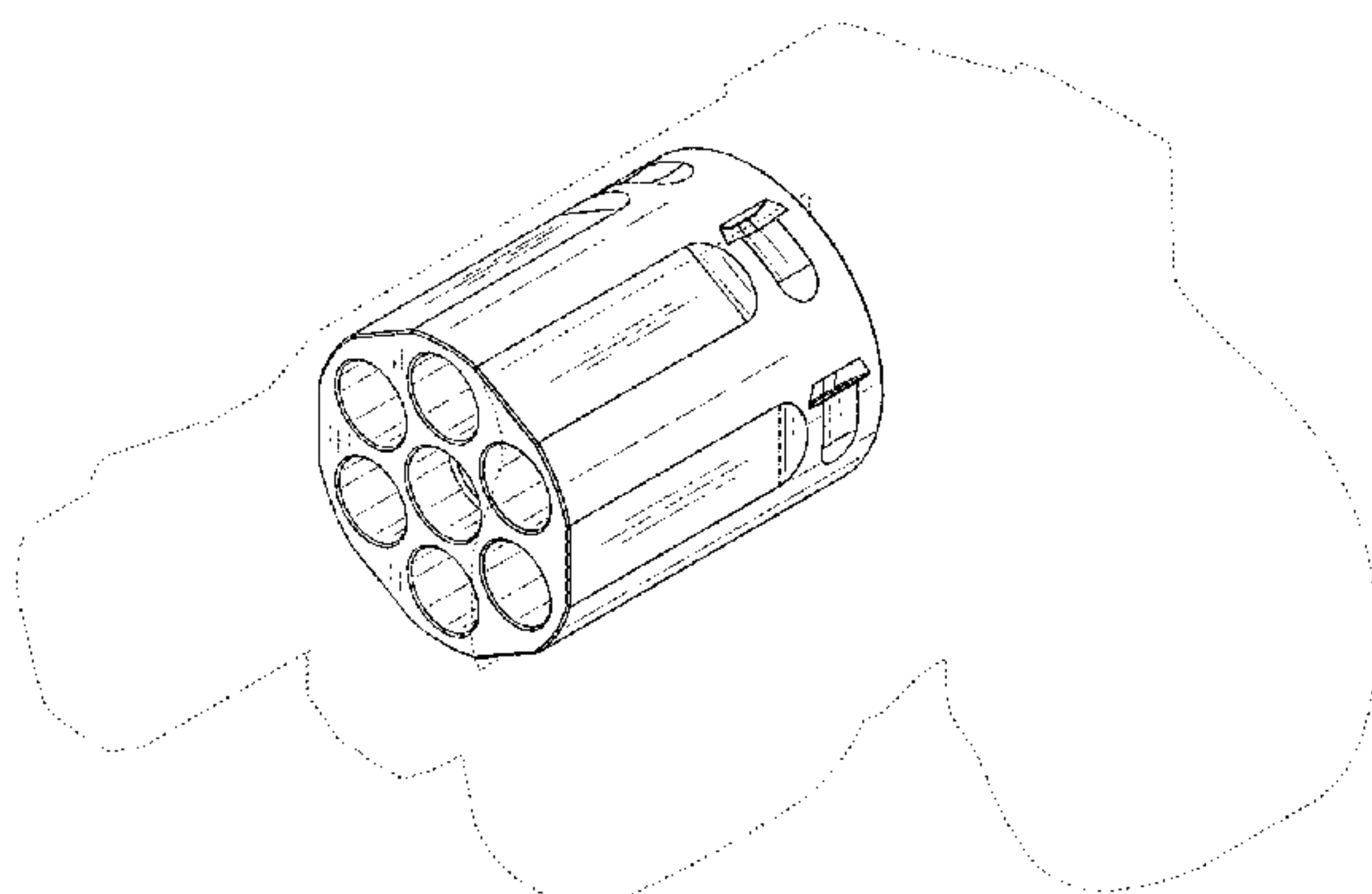
The ornamental design for a cylinder for a revolver, as shown and described.

DESCRIPTION

FIG. 1 is a front, top, left side perspective view of a cylinder for a revolver showing our new design; FIG. 2 is a rear, bottom, right side perspective view thereof; FIG. 3 is a front, elevation view thereof; FIG. 4 is a rear elevation view thereof; FIG. 5 is a left side, elevation view thereof; FIG. 6 is a right side, elevation view thereof; FIG. 7 is a top, plan view thereof; and, FIG. 8 is bottom, plan view thereof.

The broken lines in the figures are used to illustrate environment and unclaimed parts, in which the claimed design is embodied, and form no part of the claimed design.

1 Claim, 8 Drawing Sheets



(56)

References Cited

U.S. PATENT DOCUMENTS

2,385,422 A * 9/1945 Rice F41A 19/53
42/65
2,470,259 A * 5/1949 Norman F41A 17/74
42/66
2,509,553 A * 5/1950 Wylie F41C 23/10
42/71.01
2,853,823 A * 9/1958 Kirkland F41C 3/14
42/67
2,944,359 A * 7/1960 Hanley F41A 9/85
42/89
3,049,977 A * 8/1962 Reich F41A 19/52
42/65
3,136,084 A * 6/1964 Charron F41C 3/14
42/59
3,221,433 A * 12/1965 Lewis F41A 19/53
42/62
3,407,526 A * 10/1968 Freed F41A 21/16
42/59
RE26,534 E * 3/1969 Lewis F41A 19/53
42/62
3,628,278 A * 12/1971 Ruger F41C 3/14
42/62
3,633,302 A * 1/1972 Lewis F41C 3/14
42/62
3,654,720 A * 4/1972 Ruger F41A 19/11
42/59
3,683,536 A * 8/1972 Sefried, II F41C 3/14
42/62
3,685,193 A * 8/1972 Sefried, II F41C 3/14
42/59
3,701,213 A * 10/1972 Lewis F41C 3/14
42/65
3,711,982 A * 1/1973 Baker F41C 3/14
42/59
3,813,804 A * 6/1974 Ruger F41C 3/14
42/59
4,091,557 A * 5/1978 Murabito F41C 3/14
42/66
4,197,666 A * 4/1980 Ng F41A 19/14
42/59
4,213,263 A * 7/1980 Brouthers F41C 3/14
42/59
4,228,608 A * 10/1980 Casull F41C 3/14
42/67
4,253,261 A * 3/1981 Schmidt F41C 3/14
42/59
4,307,530 A * 12/1981 Melcher F41C 3/14
42/67
4,391,057 A * 7/1983 Bornancini F41A 19/53
42/65
4,658,528 A * 4/1987 Ruger F41C 23/10
42/71.02
D296,349 S * 6/1988 Ruger D22/104
D297,344 S * 8/1988 Ruger D22/104
4,766,687 A * 8/1988 Ruger F41A 19/11
42/59
4,771,562 A * 9/1988 Ruger F41C 23/10
42/71.02
D299,674 S * 1/1989 Domian D22/104
D301,911 S * 6/1989 Ruger D22/104
4,934,081 A * 6/1990 Mooney F41C 3/14
267/179
4,972,618 A * 11/1990 Justice, Sr. F41A 17/74
42/66

5,218,148 A * 6/1993 Mochak F41A 15/02
42/68
7,263,795 B1 * 9/2007 Curry F41A 15/02
42/64
2002/0148152 A1 * 10/2002 Curry F41A 17/74
42/66
2006/0242878 A1 * 11/2006 Dubois F41A 3/74
42/59

OTHER PUBLICATIONS

New From Kimber: K6s .357 Revolver and Micro 9mm, TheTruthAboutGuns.com, Jeremy s., Jan. 18, 2016, [online], [site visited Jan. 6, 2017]. <URL: <https://www.thetruthaboutguns.com/2016/01/jeremy-s/new-from-kimber-k6s-357-revolver-and-micro-9mm/>>.*
A Revolver from Kimber? Shot Show 2016, GunsAmerica.com, by Jon Hodoway on Jan. 18, 2016, [online], [site visited Jan. 6, 2017]. <URL: <https://www.gunsamerica.com/blog/a-revolver-from-kimber-shot-show-2016/>>.*
Introducing the Kimber K6s!, YouTube.com, Kimberamerica, Published on Jan. 22, 2016, [online], [site visited Jan. 6, 2017]. <URL: <https://www.youtube.com/watch?v=RZNhWyjqJ6M>>.*
Kimber K6 revolver, 45talk.com, Posted on Apr. 12, 2016 by Mark Calzaretta, [online], [site visited Jan. 6, 2017]. <URL: <http://45talk.com/?p=637>>.*
Smith & Wesson J-Frame Centerfire Revolvers, Cabelas.com, [online], [site visited Jan. 6, 2017]. <URL: <http://www.cabelas.com/product/shooting/firearms/handguns/revolvers-miscellaneous%7C/pc/104792580/c/553829580/sc/105526980/i/105527880/smith-wesson-174-j-frame-centerfire-revolvers/733704.uts?destination=%2Fcategory%2FRevolvers-Miscellaneous%2F10552>>.*
Charter 72342 Target Pathfinder Stainless .22Mag 4.2-inch 6rd, GrabaGun.com, [online], [site visited Jan. 6, 2017]. <URL: <http://grabagun.com/charter-arms-72342-target-pathfinder-rver.html>>.*
6 Six-Shot .357 Magnum Revolvers for Competition Shooting, PersonalDefenseWorld.com, By William Bell on Jun. 12, 2015, [online], [site visited Jan. 6, 2017]. <URL: <http://www.personaldefenseworld.com/2015/06/6-six-shot-357-magnum-revolvers-for-competition-shooting/#swmodel686ssr>>.*
A Few Random Thoughts About the 9mm Charter Revolver, DownRange.tv, Aug. 3, 2012, By: Michael Bane, [online], [site visited Jan. 6, 2017], <URL: <http://www.downrange.tv/blog/a-few-random-thoughts-about-the-9mm-charter-revolver/15662/>>.*
11 of the Best Backup Snub-Nose Revolvers, Tactical-Life.com, Jul. 15, 2015, by William Bell, [online], [site visited Jan. 6, 2017]. <URL: <http://www.tactical-life.com/firearms/11-backup-snub-nose-revolvers/#gwa-15-snub-charter-liteoff>>.*
Model 66 Combat Magnum, Smith-Wesson.com, [online], [site visited Jan. 6, 2017]. <URL: <https://www.smith-wesson.com/firearms/model-66-combat-magnum>>.*
Chiappa Rhino 6-Shot .357 Magnum Revolver for Concealed Carry (CCW) Applications, <http://www.defensereview.com/chiappa-rhino-6-shot-357-magnum-revolver-for-concealed-carry-ccw-applications/>, Aug. 26, 2010.
Smith & Wesson Model 640, https://en.wikipedia.org/wiki/Smith_%26_Wesson_Model_640, 1990.
Gun Test: Ruger's GP100 Match Champion, <https://www.americanrifleman.org/articles/2014/10/17/ruger-gp100-match-champion/>, Oct. 17, 2014.
Colt King Cobra Revolver 4 Inch Stainless, <http://reducerecoil.com/2014/12/colt-king-cobra-revolver-4inch-stainless/>, Dec. 12, 2014.
Colt King Cobra .357 Magnum Handgun—It's One Mean Snake, <http://www.groovyoutdoors.us/colt-king-cobra/>, Jan. 17, 2013.

* cited by examiner

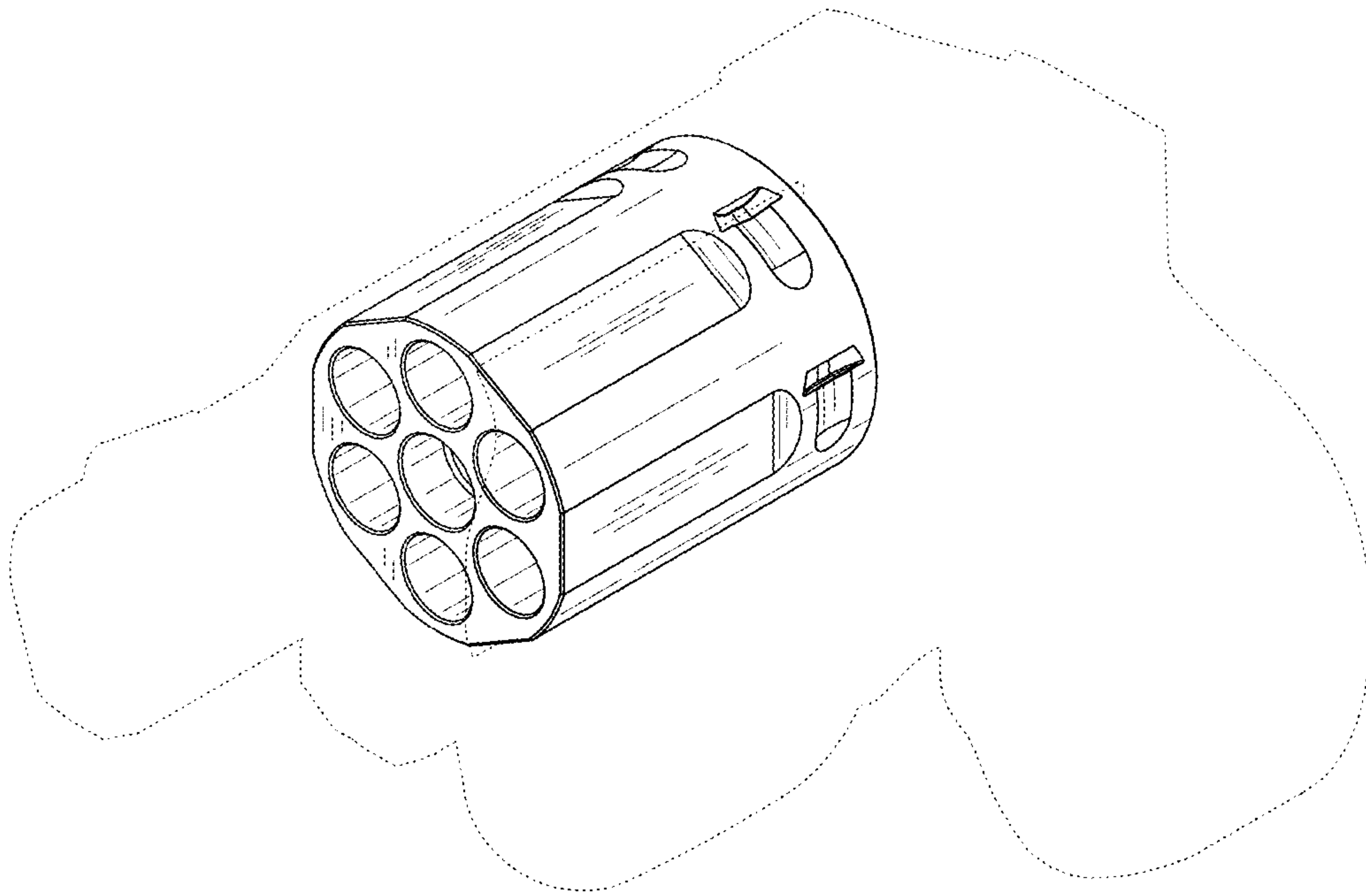


FIG. 1

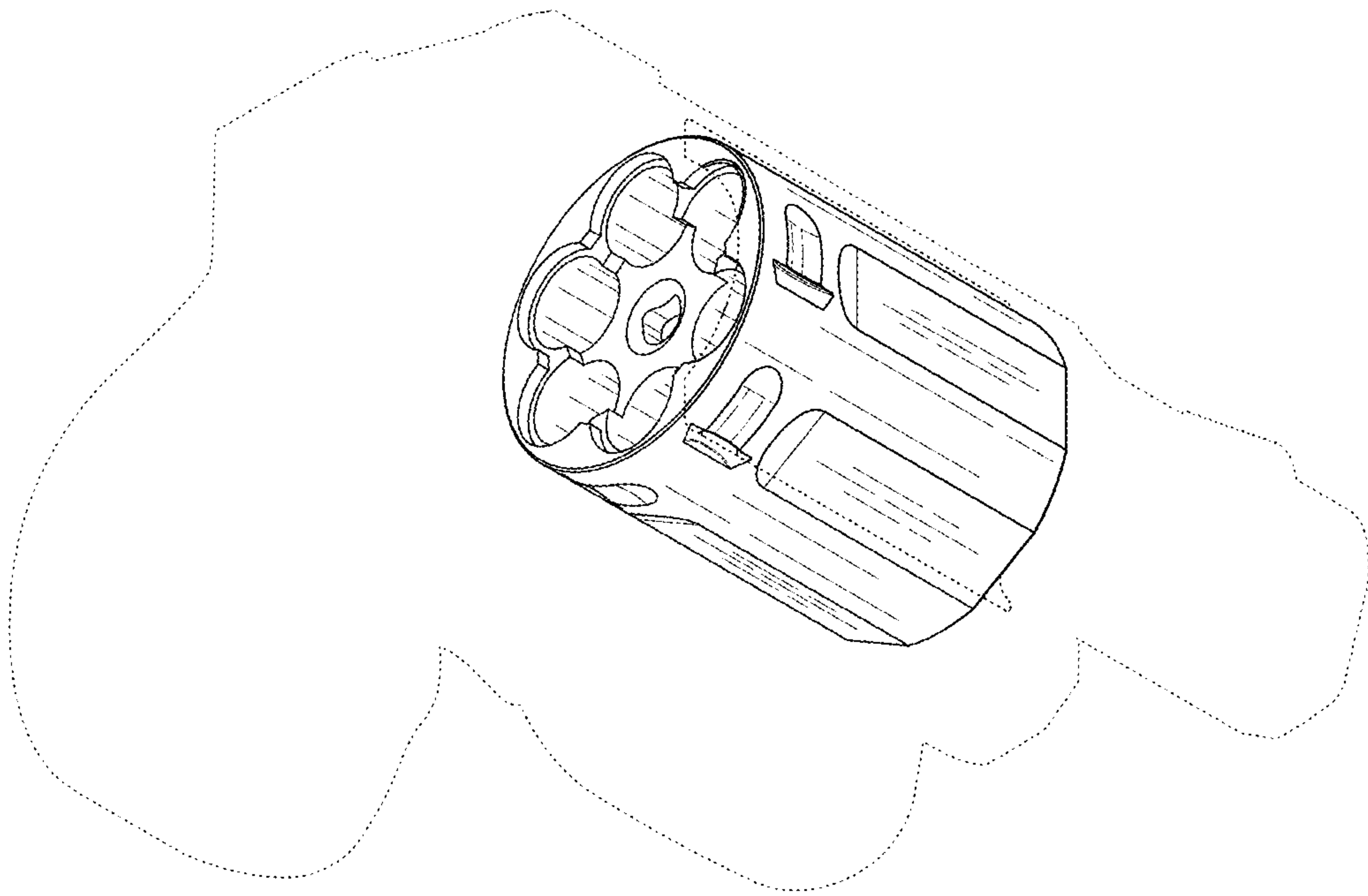


FIG. 2

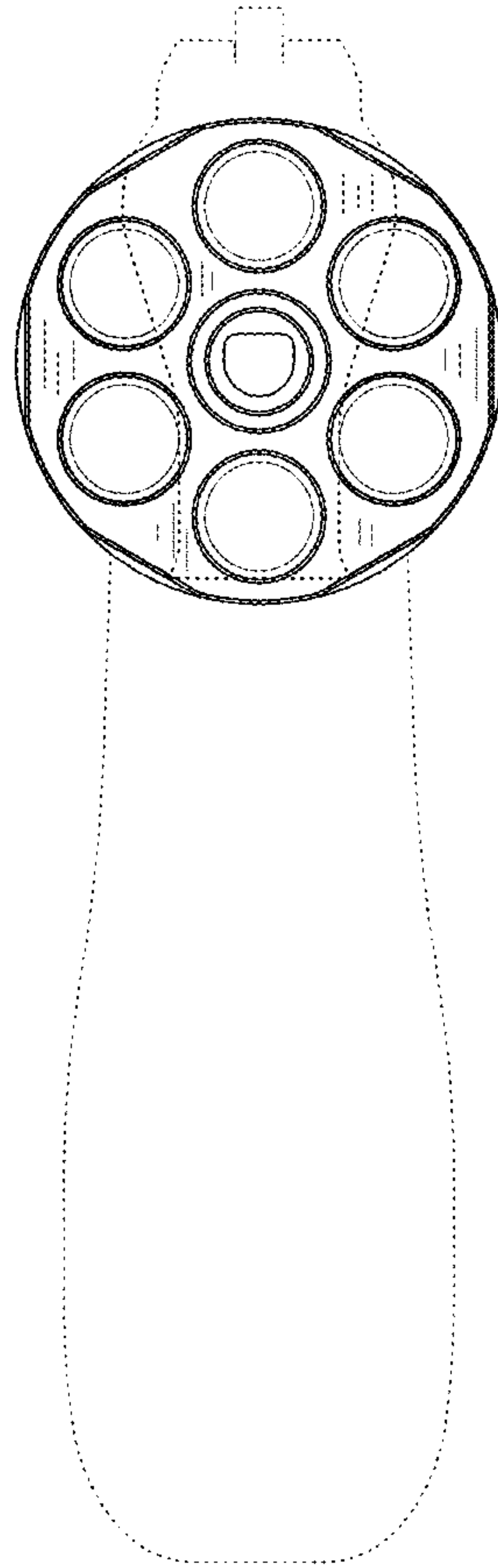


FIG. 3

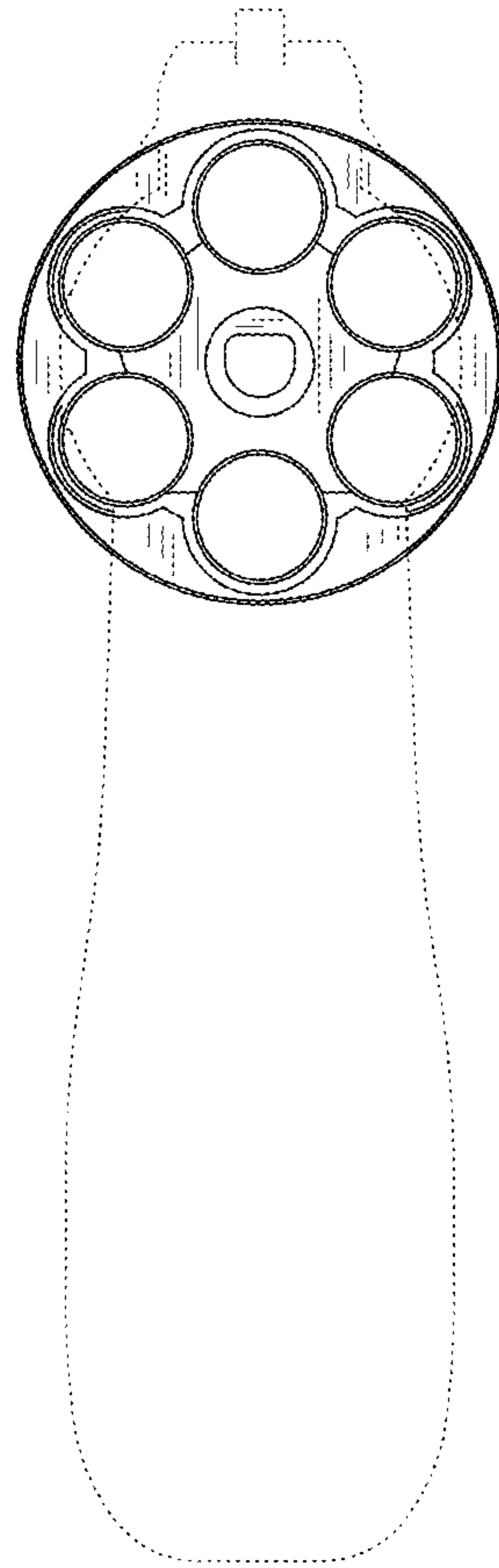


FIG. 4

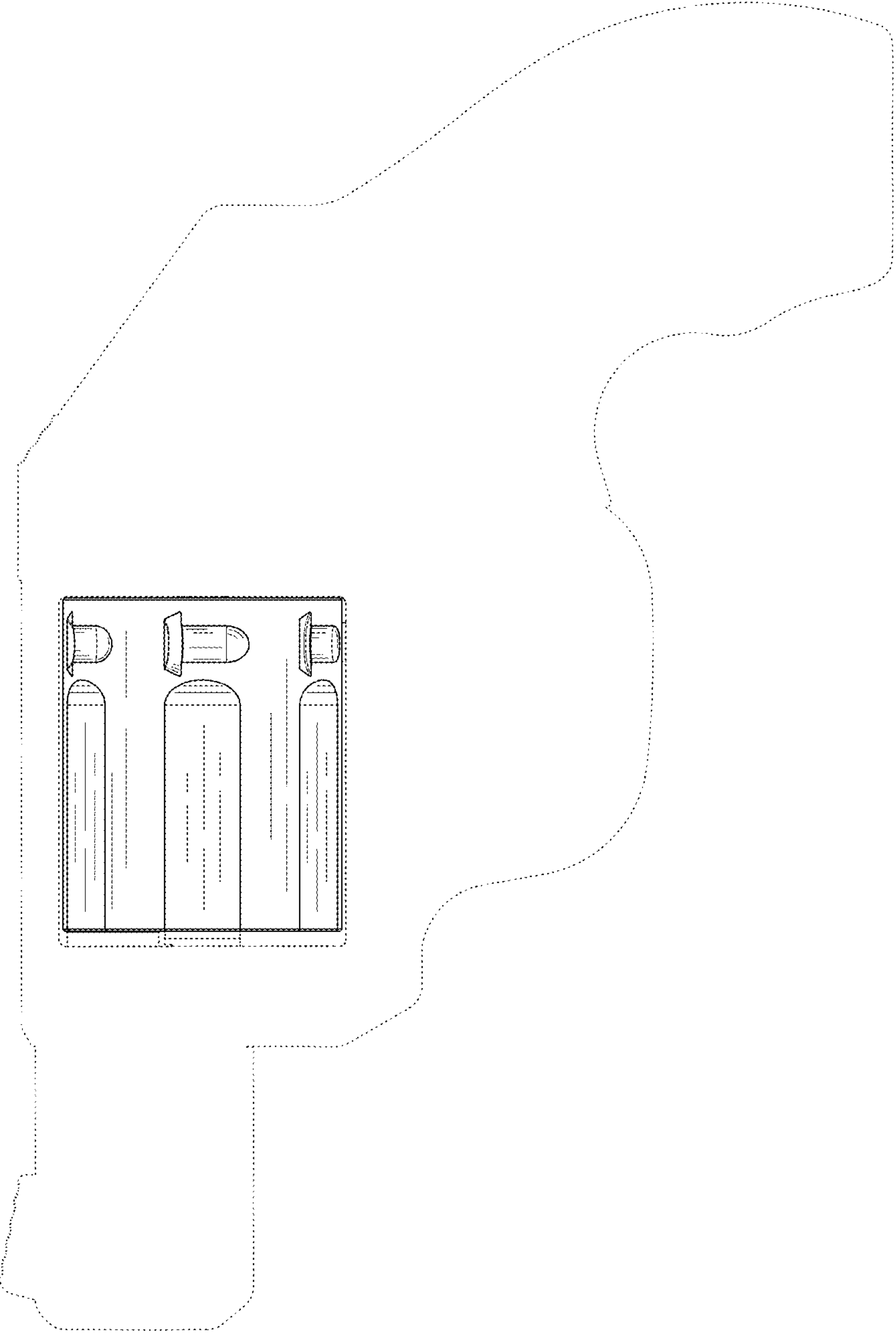


FIG. 5

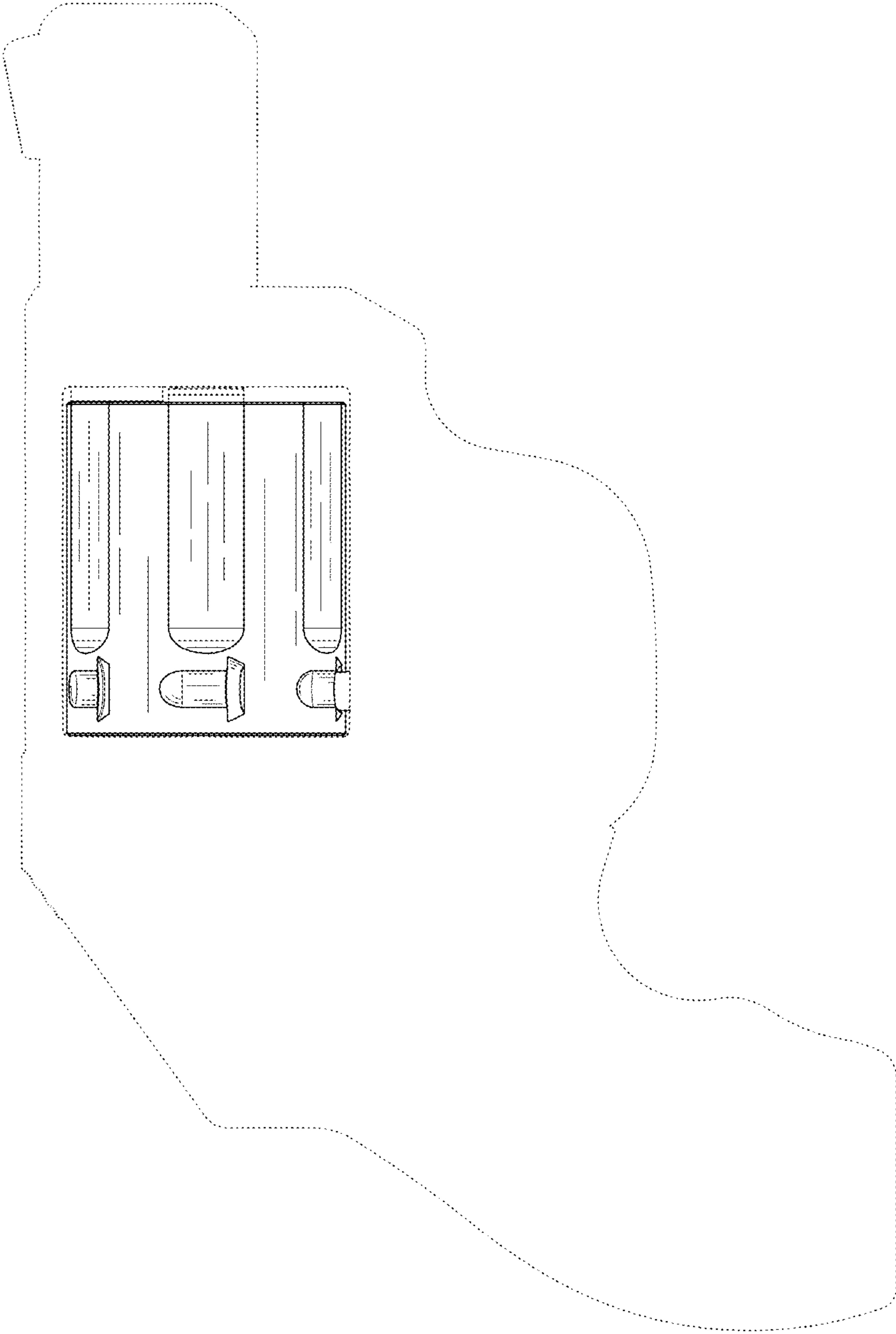


FIG. 6

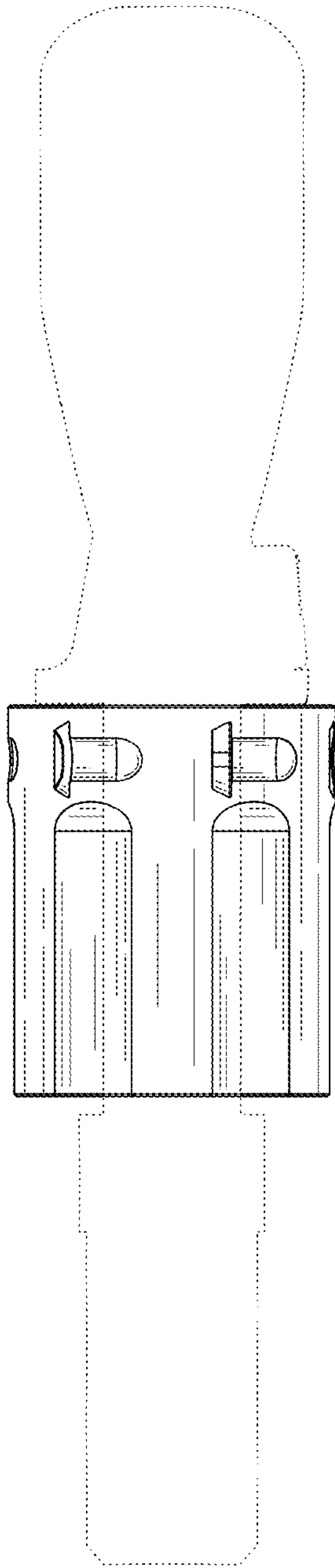


FIG. 7

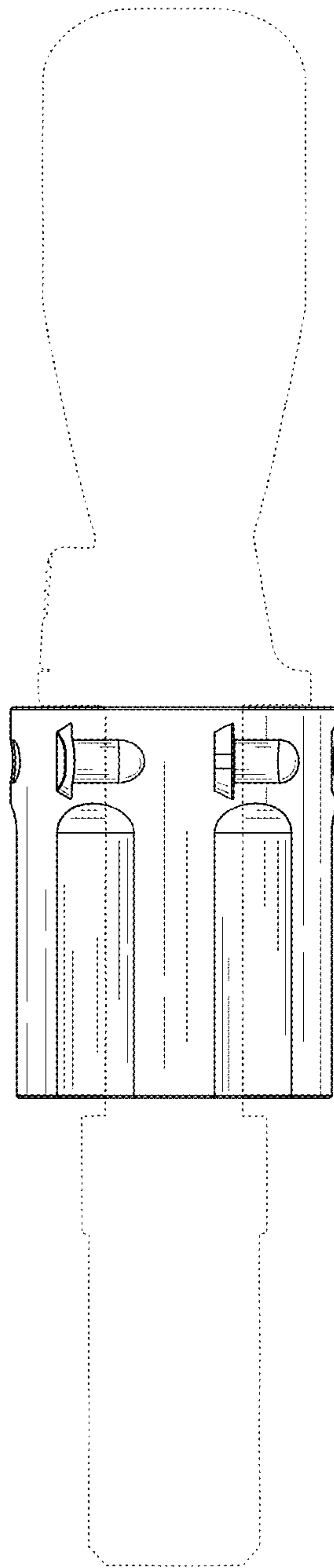


FIG. 8