



US00D788252S

(12) **United States Design Patent**
Slater

(10) **Patent No.:** **US D788,252 S**

(45) **Date of Patent:** **** May 30, 2017**

(54) **CHEEK REST ASSEMBLY**

(71) Applicant: **Rick Bradford Slater**, Hillsboro, OR (US)

(72) Inventor: **Rick Bradford Slater**, Hillsboro, OR (US)

(**) Term: **15 Years**

(21) Appl. No.: **29/544,645**

(22) Filed: **Nov. 5, 2015**

Related U.S. Application Data

(63) Continuation-in-part of application No. 14/220,907, filed on Mar. 20, 2014, which is a continuation-in-part of application No. 29/534,681, filed on Jul. 30, 2015.

(51) **LOC (10) Cl.** **22-01**

(52) **U.S. Cl.**
USPC **D22/108**

(58) **Field of Classification Search**

USPC D3/22, 269; D8/68; D22/100, 108, 199;
42/70.07, 70.11, 96, 100; 211/64

CPC F41C 23/10; F41C 23/14; F41C 23/16;
F41C 23/18

See application file for complete search history.

(56) **References Cited**

U.S. PATENT DOCUMENTS

D285,822 S *	9/1986	Davis	D3/222
D392,364 S *	3/1998	Neal	D22/100
6,264,079 B1 *	7/2001	Skaggs	F41C 33/0236
				224/193
D487,343 S *	3/2004	Neher	D3/222
D668,046 S *	10/2012	Teichelman	D3/269
D755,337 S *	5/2016	Williams	D22/108
2014/0283428 A1 *	9/2014	Slater	F41C 23/14
				42/71.01

OTHER PUBLICATIONS

Sniper Central, Hands-on Review: Bradley Cheek Rest M1A/M14, Wayback Maching date Nov. 9, 2014, [site visited Jul. 5, 2016], Available on the Internet at URL:<<http://web.archive.org/web/20141109010718/http://www.snipercentral.com/bradley-cheek-rest-m1am14>> Original article URL:<<http://www.snipercentral.com/bradley-cheek-rest-m1am14>>.*

Highjak86—YouTube, Bradley Cheek Rest Review, Aug. 7, 2013, [site visited Jul. 5, 2016], Available on the Internet at URL:<<https://www.youtube.com/watch?v=MUP5xeEE7Ak>>.*

* cited by examiner

Primary Examiner — Susan Bennett Hattan

Assistant Examiner — S. Bryan Reinholdt, Jr.

(57) **CLAIM**

The ornamental design for a cheek rest assembly, as shown and described.

DESCRIPTION

FIG. 1 is a perspective view of a cheek rest assembly showing my new design;

FIG. 2 is a front elevational view thereof;

FIG. 3 is a rear elevational view thereof;

FIG. 4 is a left side elevational view thereof;

FIG. 5 is a right side elevational view thereof;

FIG. 6 is a bottom plan view thereof;

FIG. 7 is a top plan view thereof;

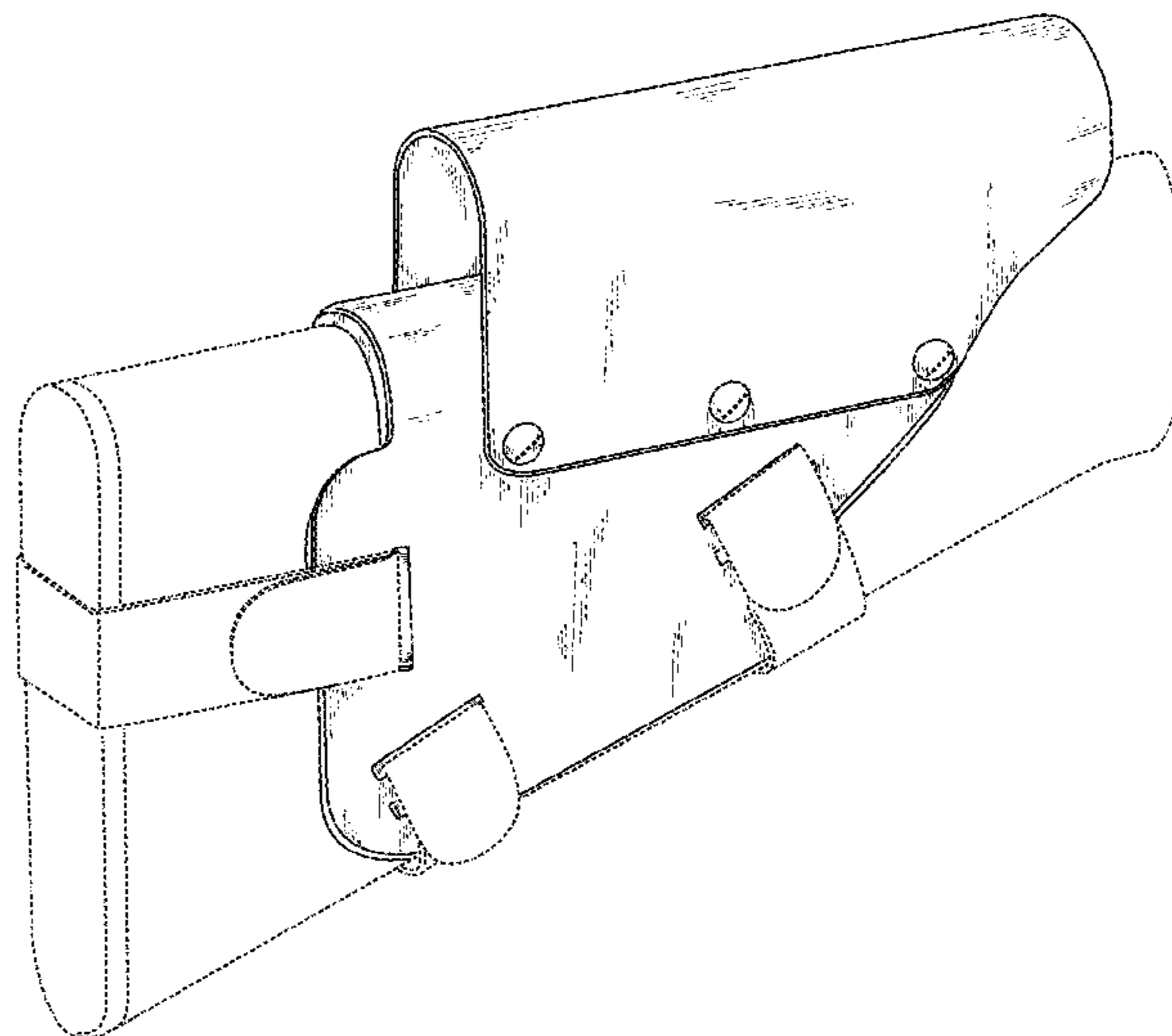
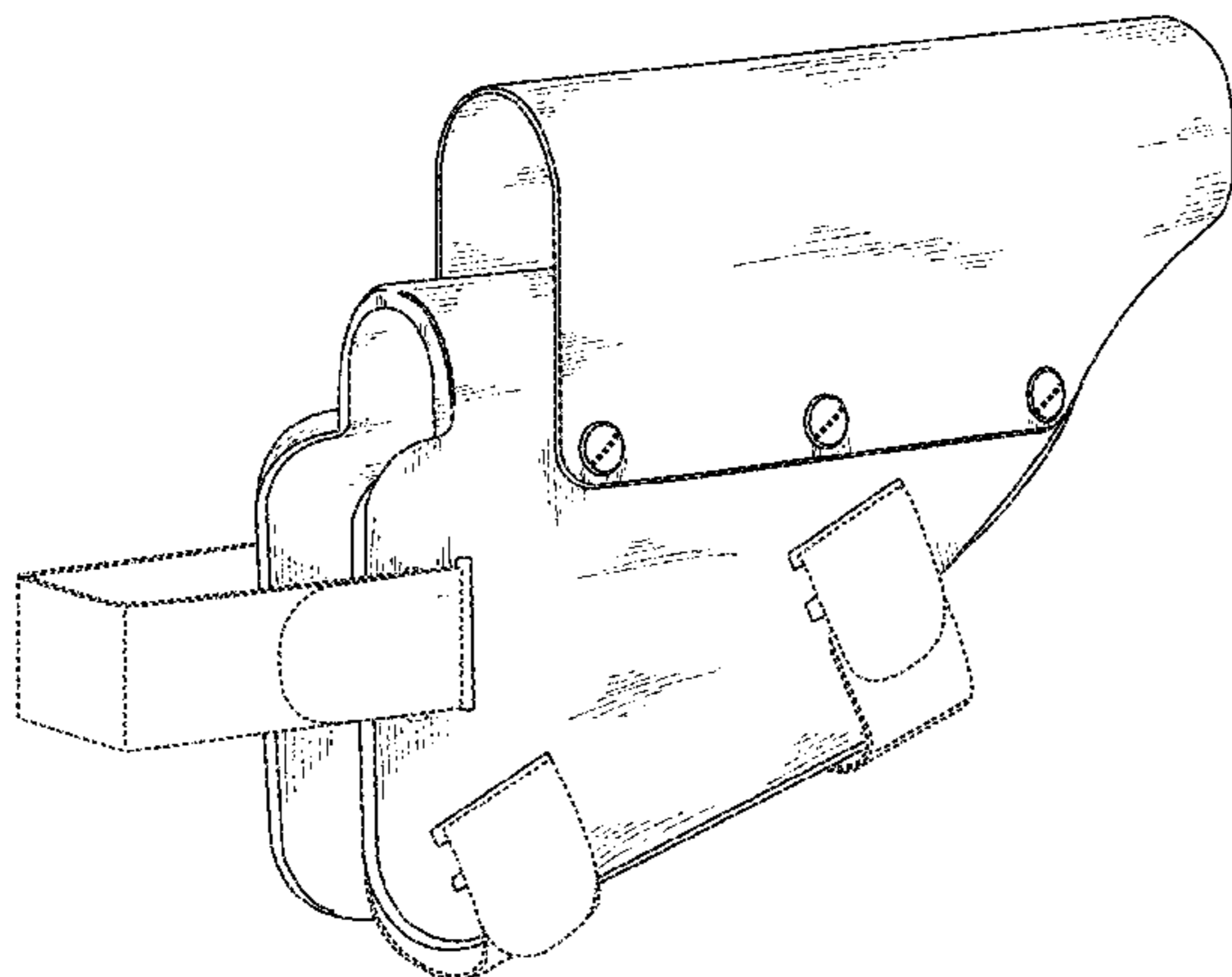
FIG. 8 is a right side perspective view thereof;

FIG. 9 is a perspective view showing the cheek rest attached to a firearm stock; and,

FIG. 10 is an exploded perspective view of the cheek rest assembly.

The broken line showing of straps, slot drives for fasteners, and firearm stock is included for the purpose of illustrating environmental structure and forms no part of the claimed design.

1 Claim, 9 Drawing Sheets



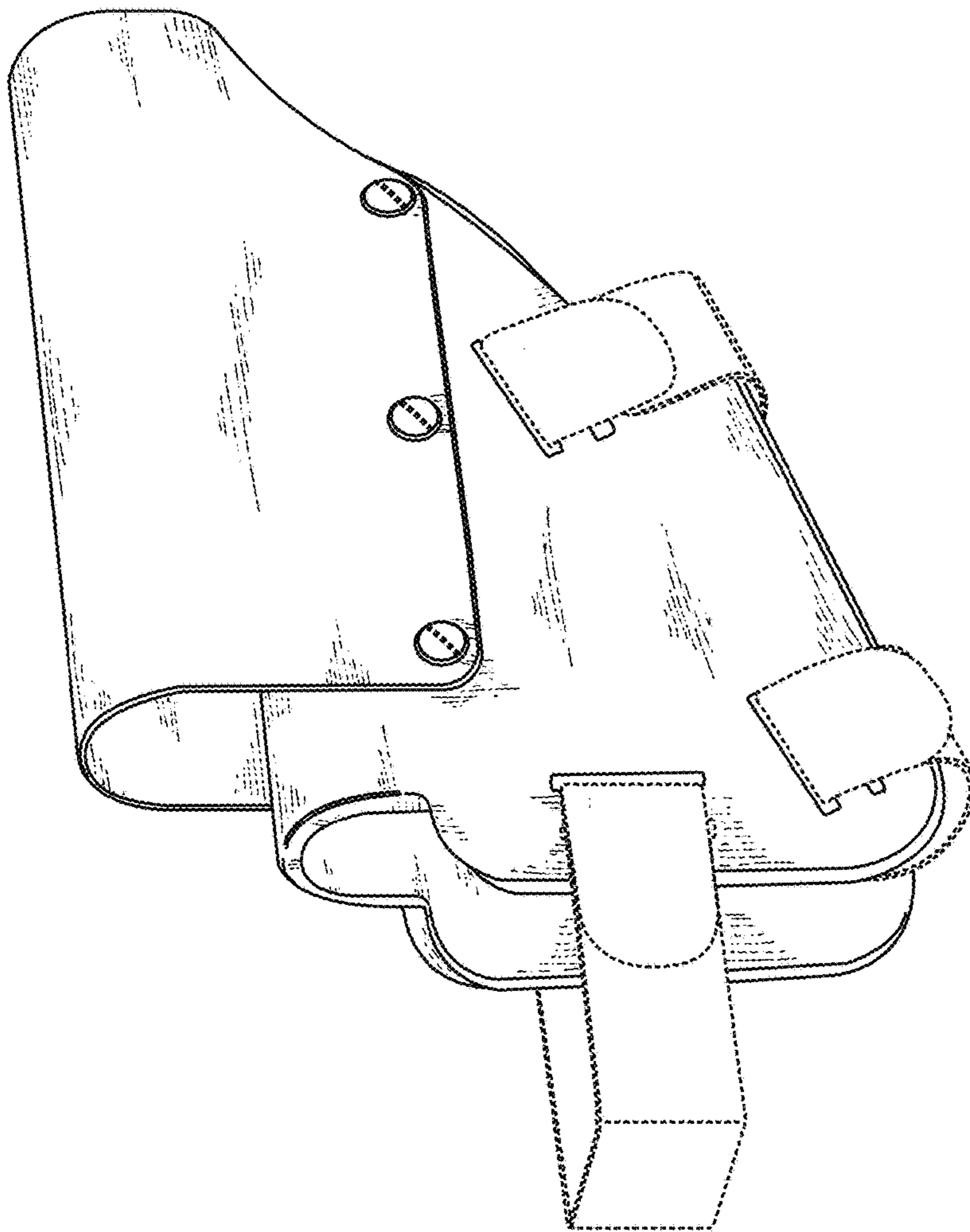


FIG. 1

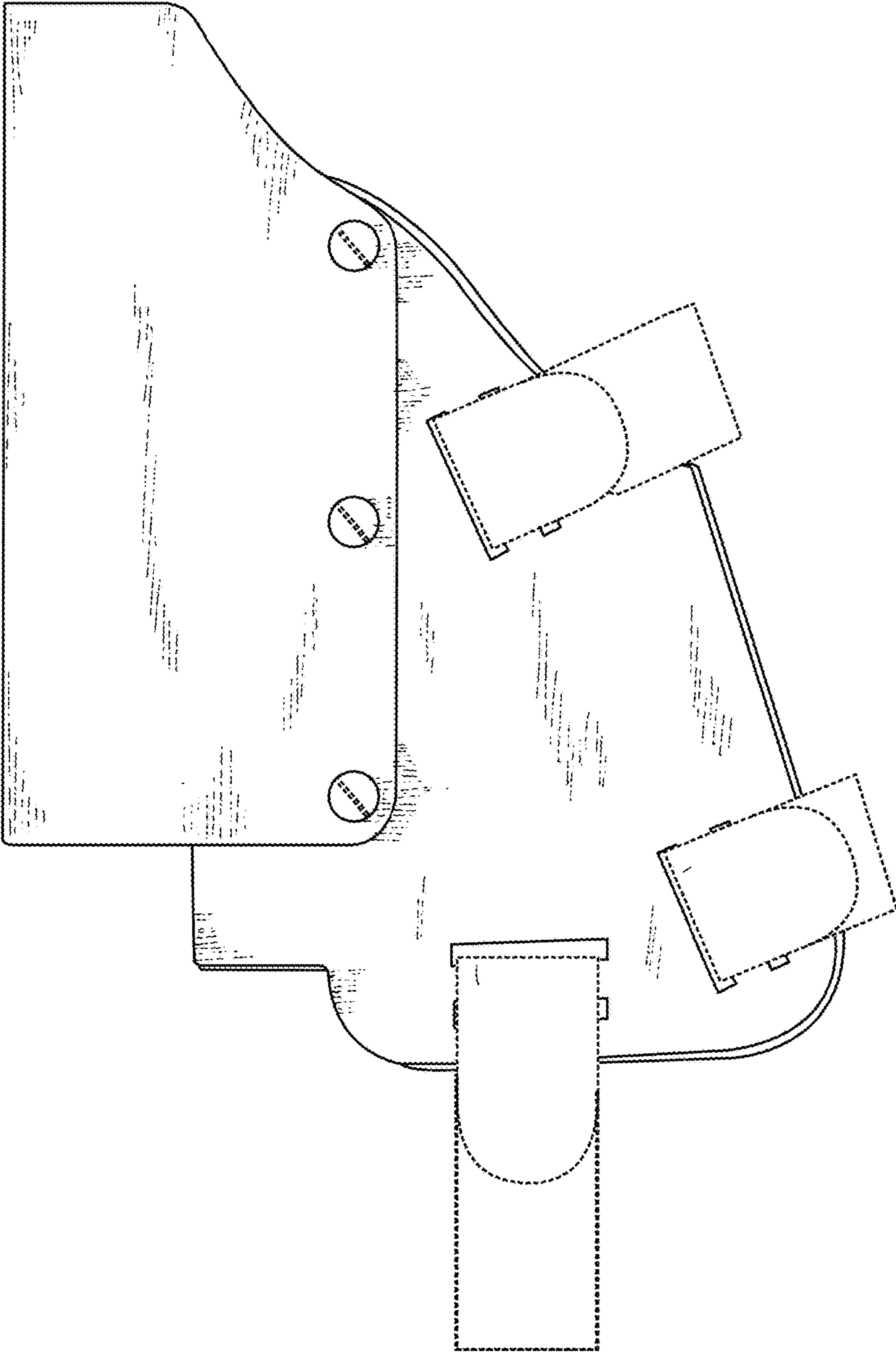


FIG. 2

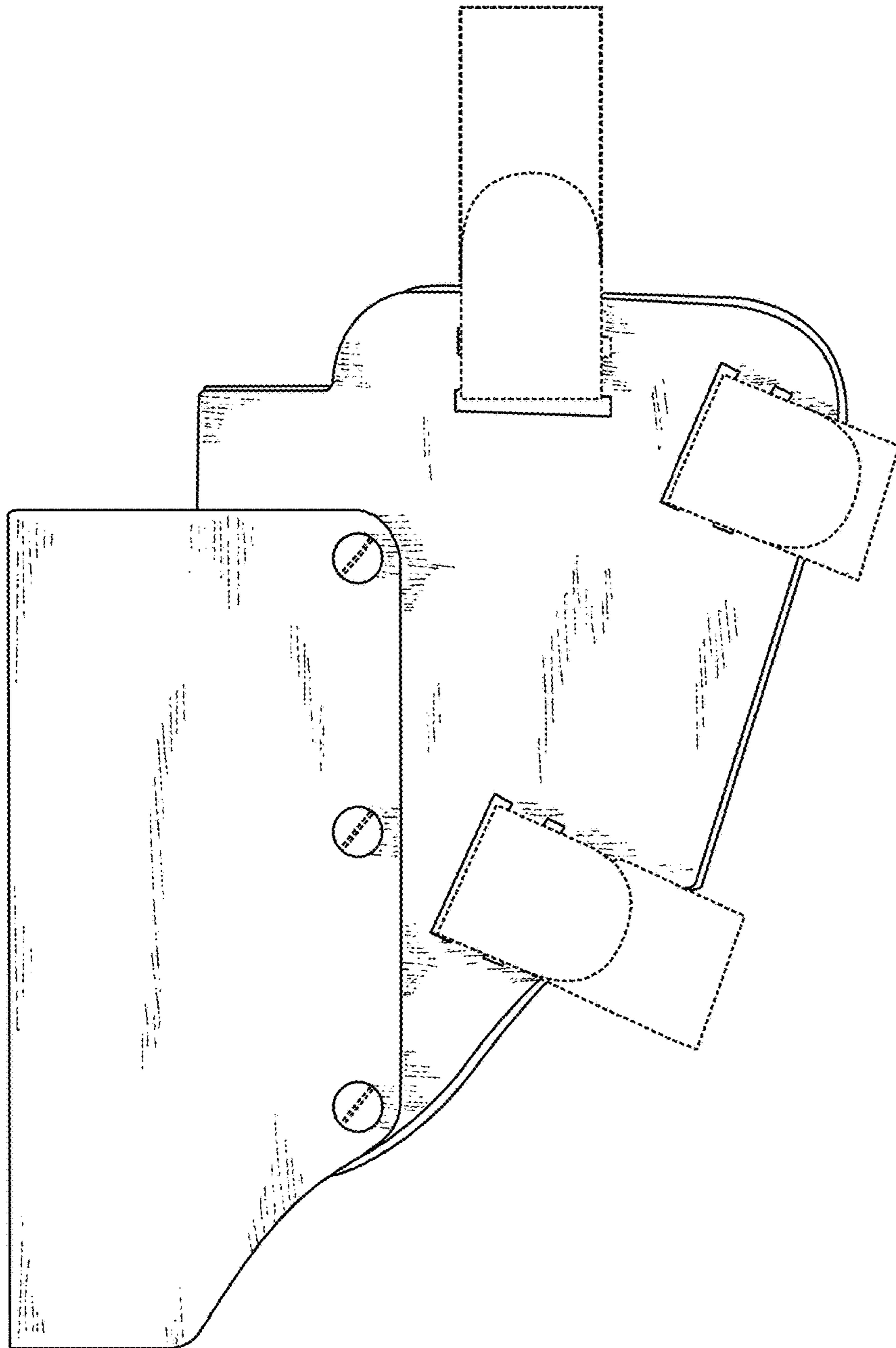


FIG. 3

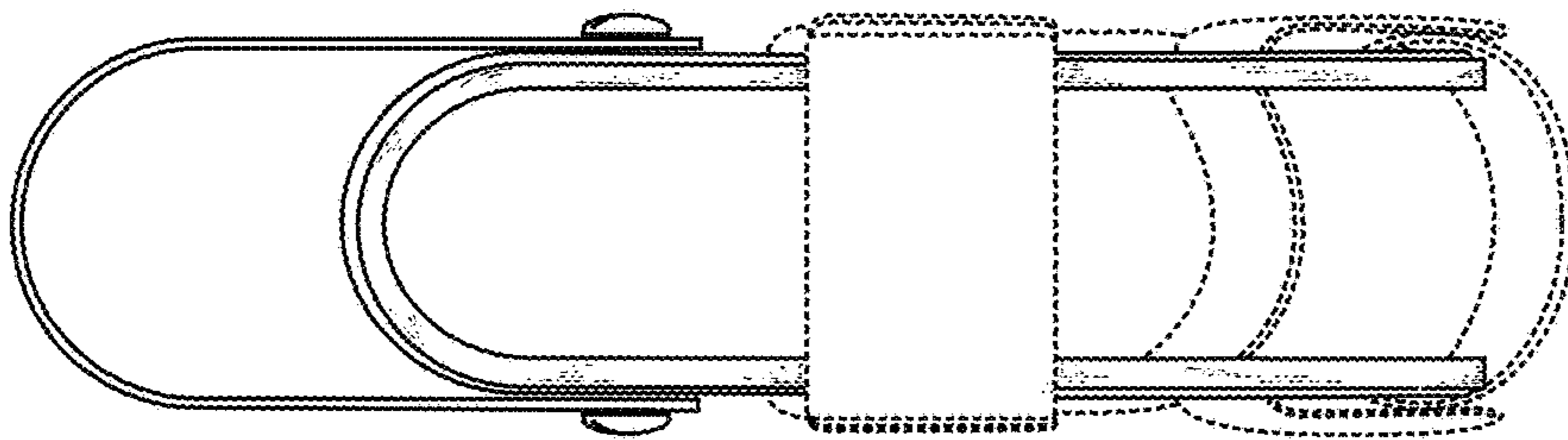


FIG. 4

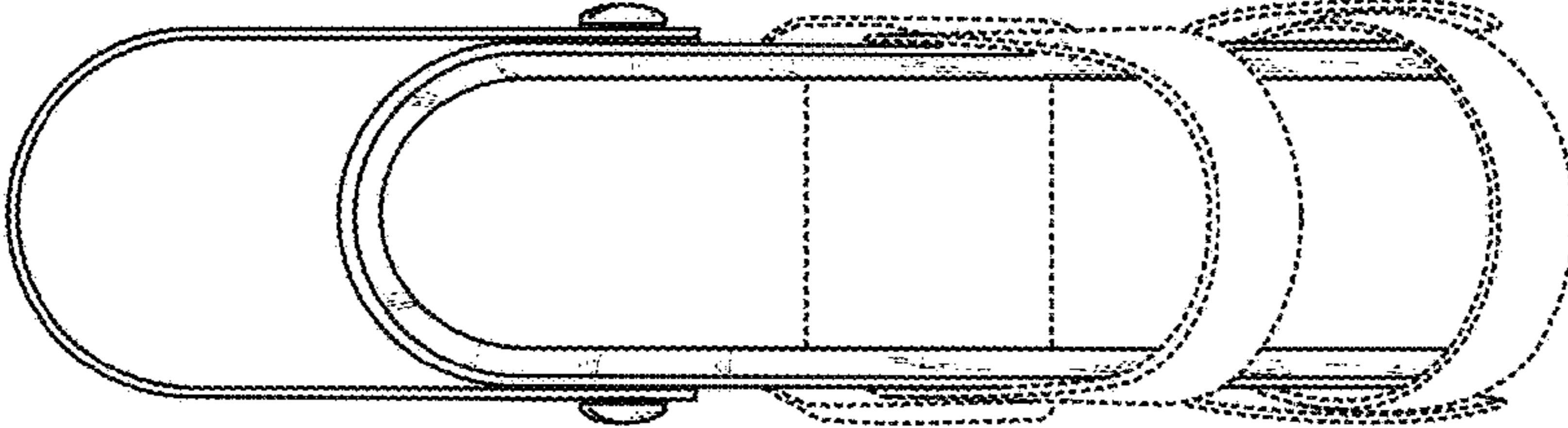


FIG. 5

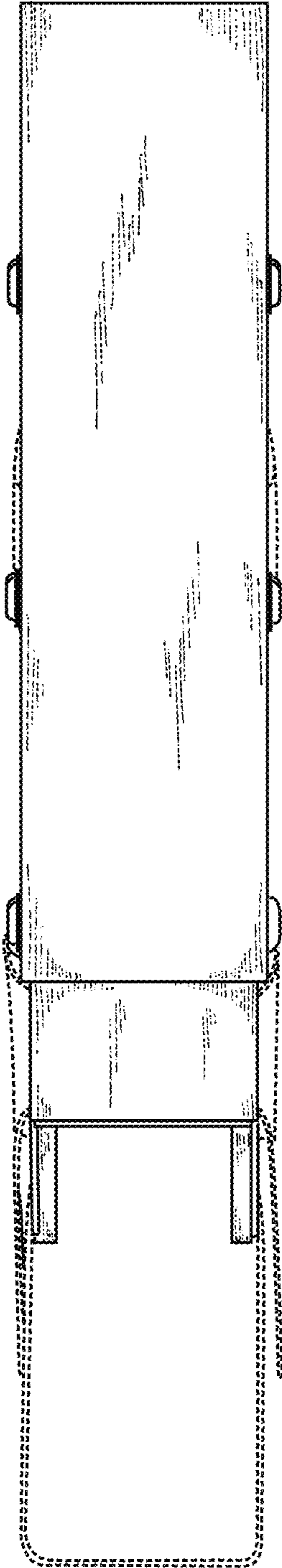


FIG. 6

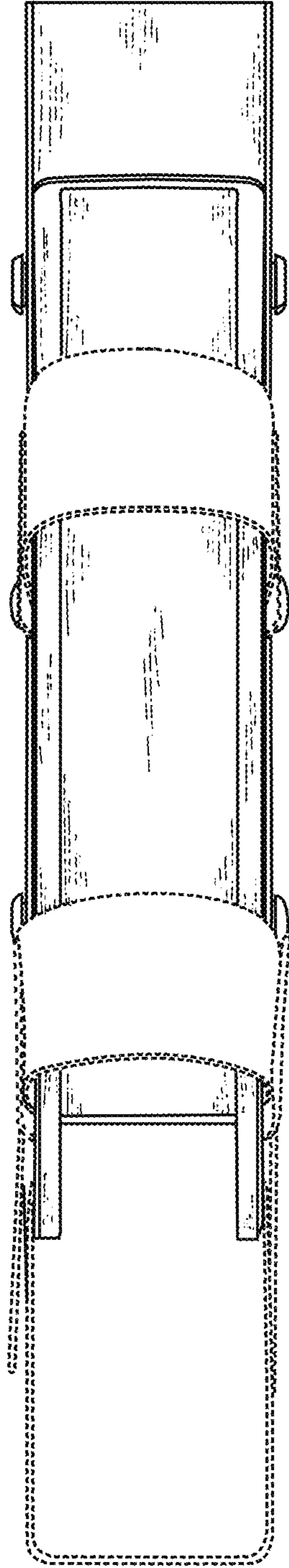


FIG. 7

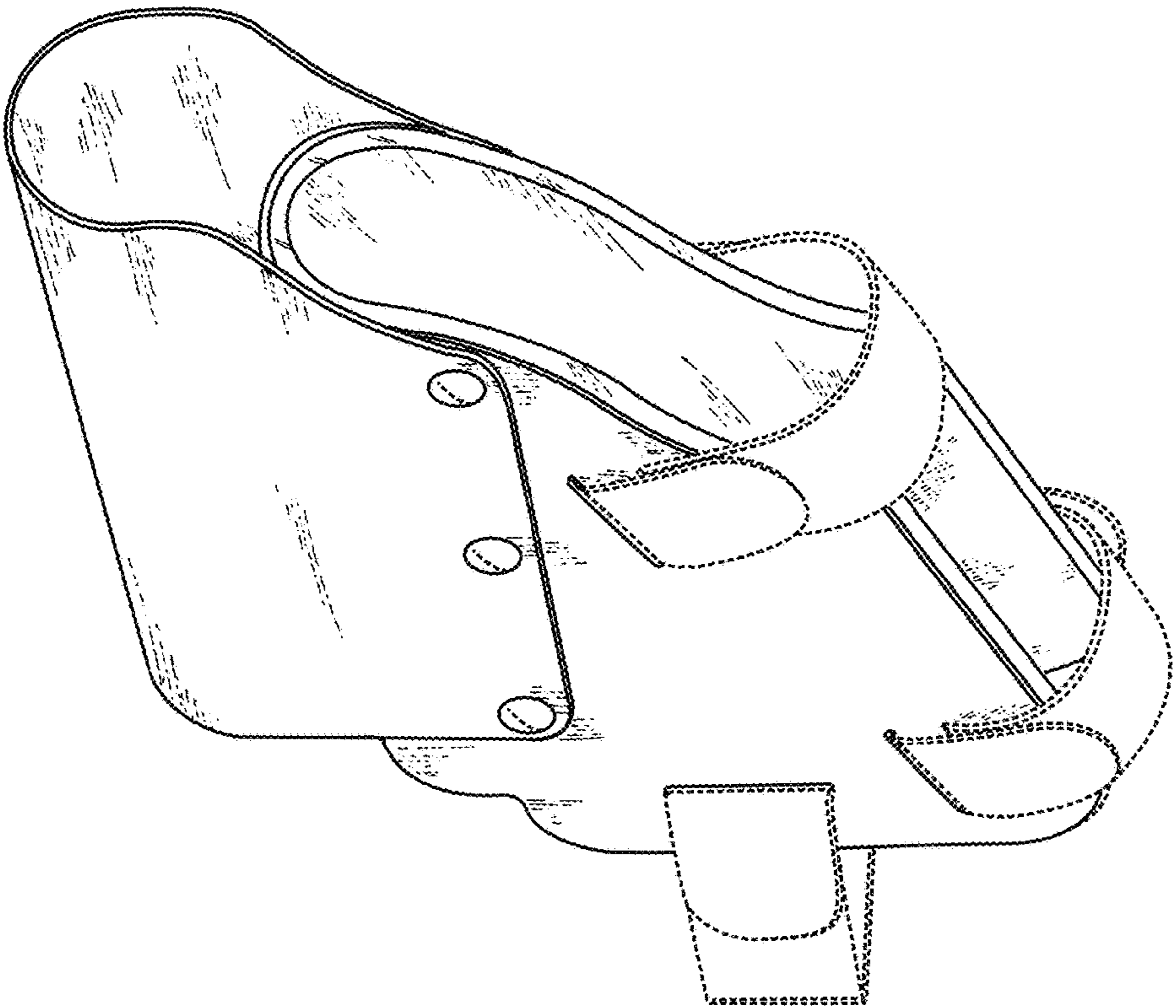


FIG. 8

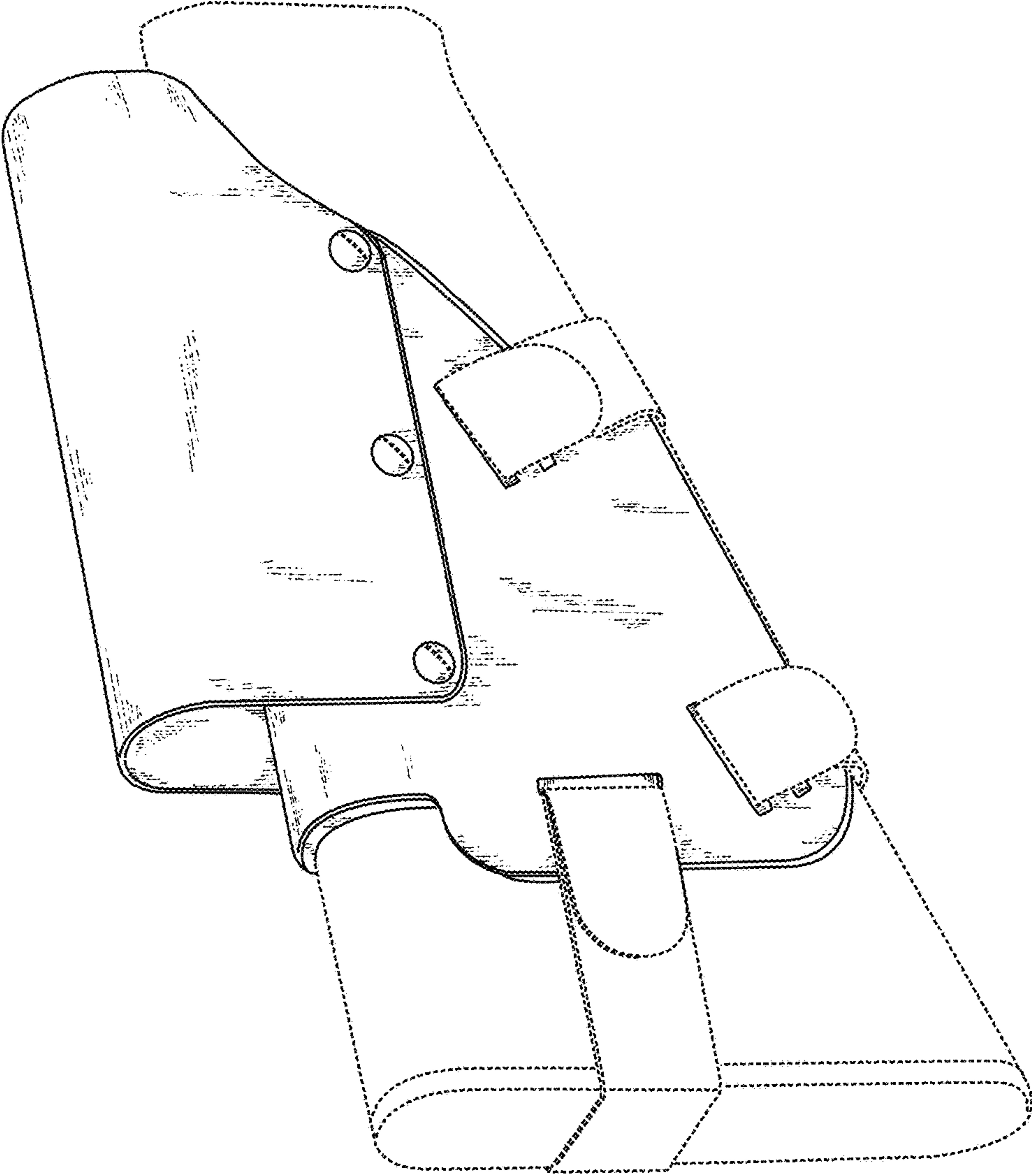


FIG. 9