



US00D788251S

(12) **United States Design Patent** (10) **Patent No.:** **US D788,251 S**
Sylvester et al. (45) **Date of Patent:** **** May 30, 2017**

(54) **PISTOL CHARGING HANDLE GRIP**

(71) Applicant: **Primary Weapons**, Boise, ID (US)

(72) Inventors: **Dean Sylvester**, Boise, ID (US); **Derek Parker**, Boise, ID (US)

(73) Assignee: **Primary Weapons**, Boise, ID (US)

(**) Term: **15 Years**

(21) Appl. No.: **29/539,639**

(22) Filed: **Sep. 16, 2015**

(51) **LOC (10) Cl.** **22-01**

(52) **U.S. Cl.**
USPC **D22/108**

(58) **Field of Classification Search**
USPC D22/104, 108; D21/572-575
CPC F41A 17/38; F41A 3/72; F41A 9/59
See application file for complete search history.

(56) **References Cited**

U.S. PATENT DOCUMENTS

D614,718 S *	4/2010	Hoel	D22/108
D694,354 S *	11/2013	Underwood	D22/108
D705,383 S *	5/2014	Montes	D22/108
D705,384 S *	5/2014	Underwood	D22/108
D726,860 S *	4/2015	Underwood	D22/108
D749,687 S *	2/2016	Warensford	D22/108

OTHER PUBLICATIONS

MA MKIII Charger, predates Sep. 16, 2015, 1 page.
Tandemkross Handle, predates Sep. 16, 2015, 1 page.

Tactical SOL Handle, predates Sep. 16, 2015, 1 page.
Volquartsen Handle, predates Sep. 16, 2015, 1 page.

* cited by examiner

Primary Examiner — Susan Bennett Hattan
Assistant Examiner — S. Bryan Reinholdt, Jr.
(74) *Attorney, Agent, or Firm* — Schacht Law Office, Inc.; Dwayne Rogge

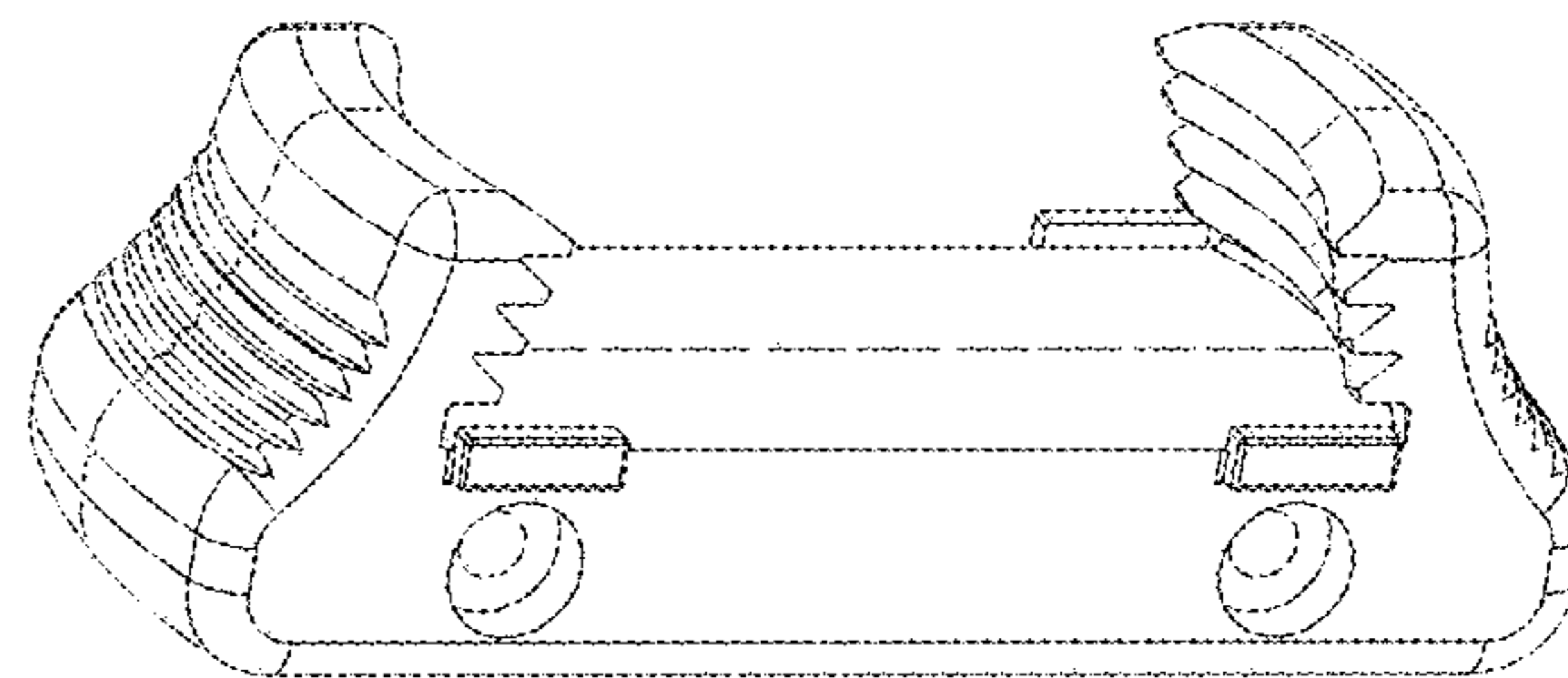
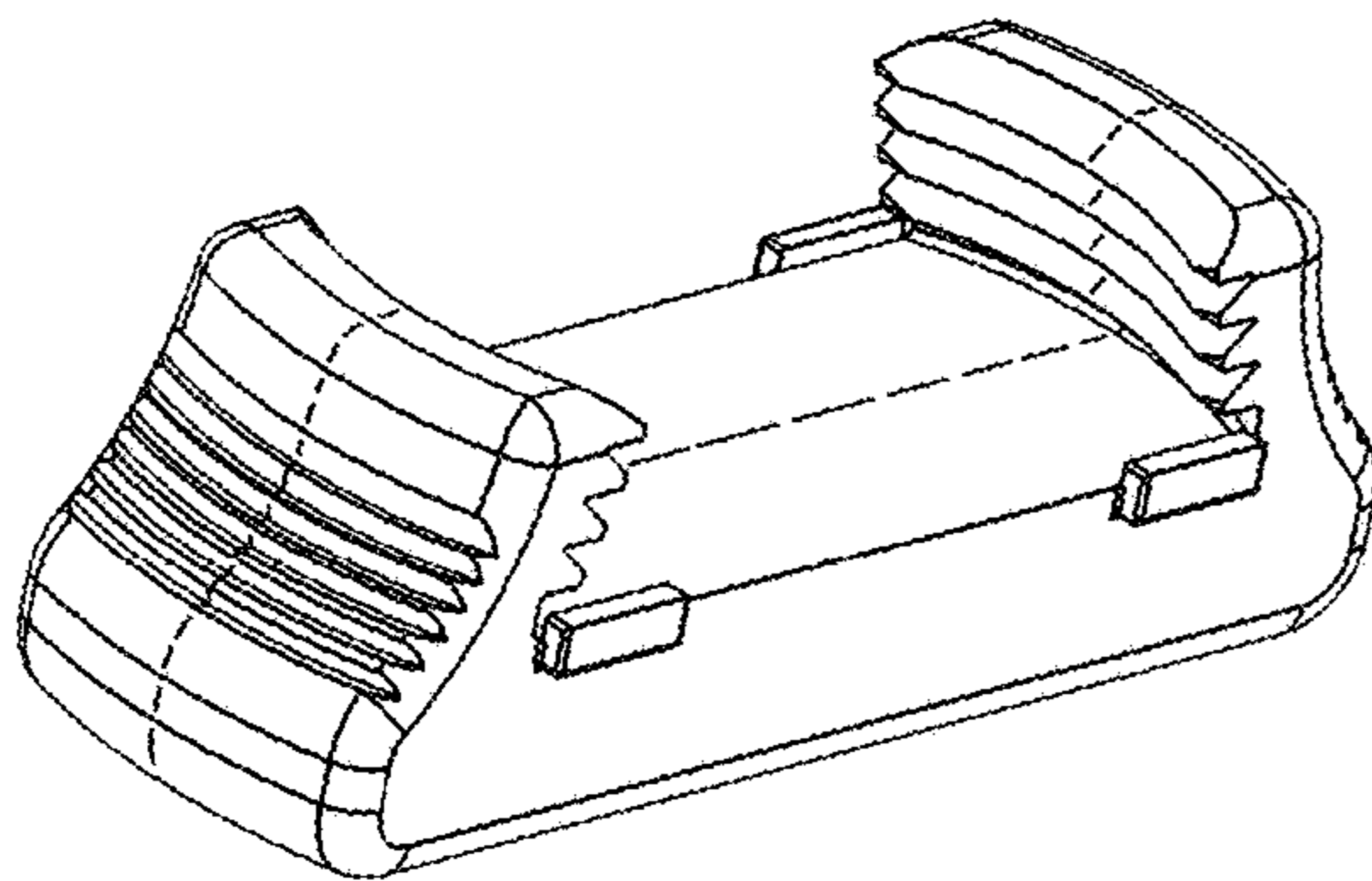
(57) **CLAIM**

The ornamental design for a pistol charging handle grip, as shown and described.

DESCRIPTION

FIG. 1 is an isometric view of a pistol charging handle grip embodying the new design.
FIG. 2 is a top view thereof.
FIG. 3 is a first side view thereof.
FIG. 4 is a bottom view thereof.
FIG. 5 is an end view thereof with the opposite side view being a mirror image.
FIG. 6 is a second isometric view thereof; and,
FIG. 7 is a second side view thereof.
Broken lines shown are included for the purpose of illustrating portions of the pistol charging handle grip that form no part of the claim.

1 Claim, 3 Drawing Sheets



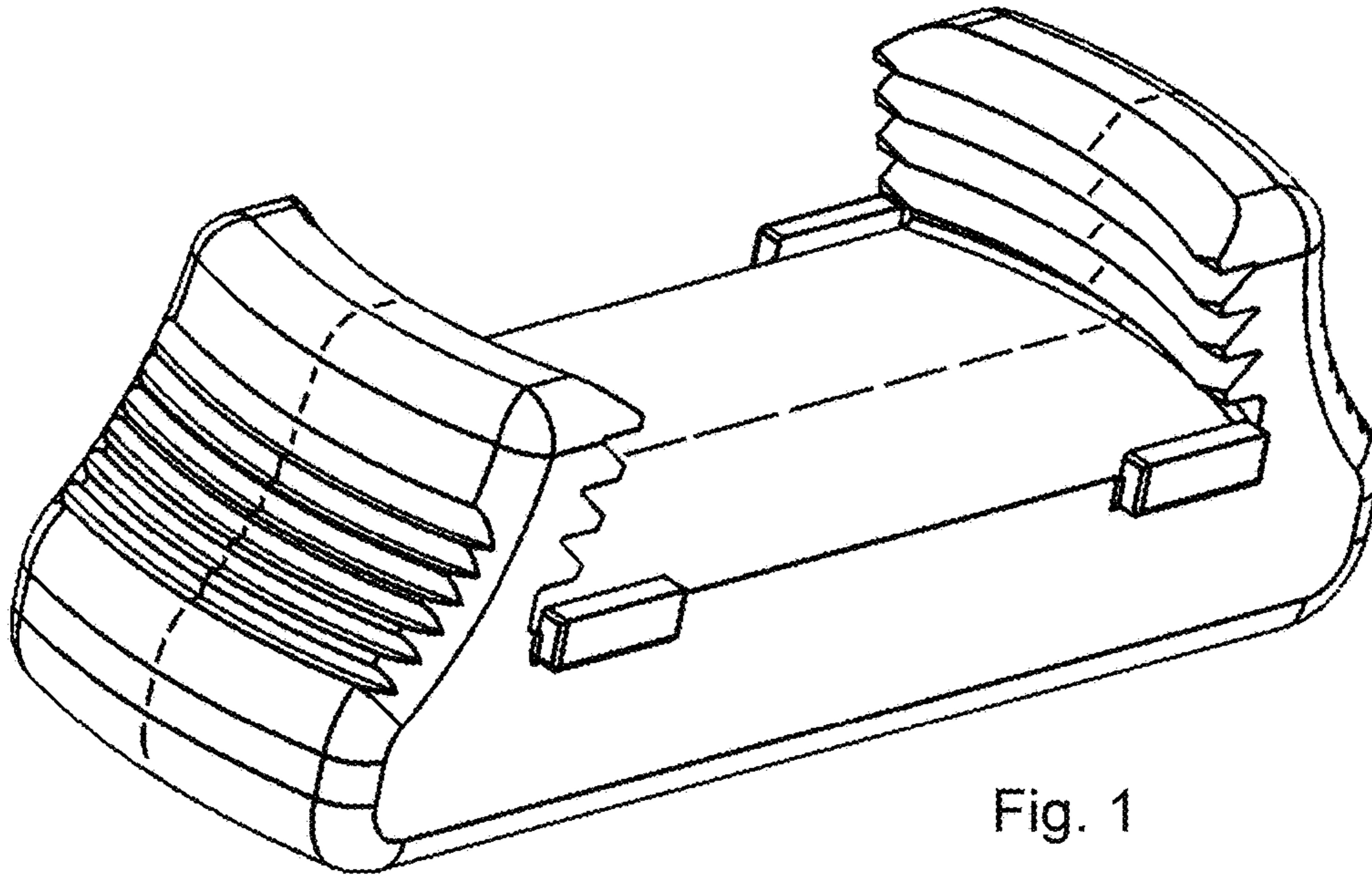


Fig. 1

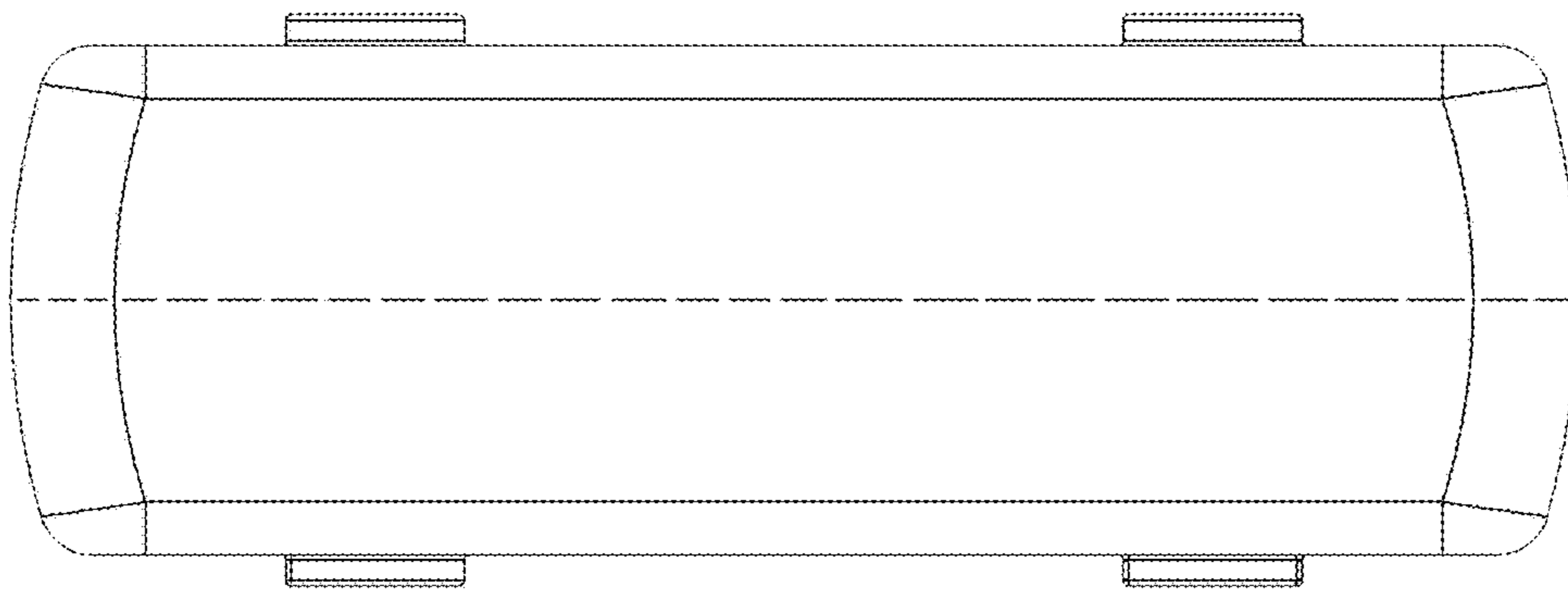


Fig. 2

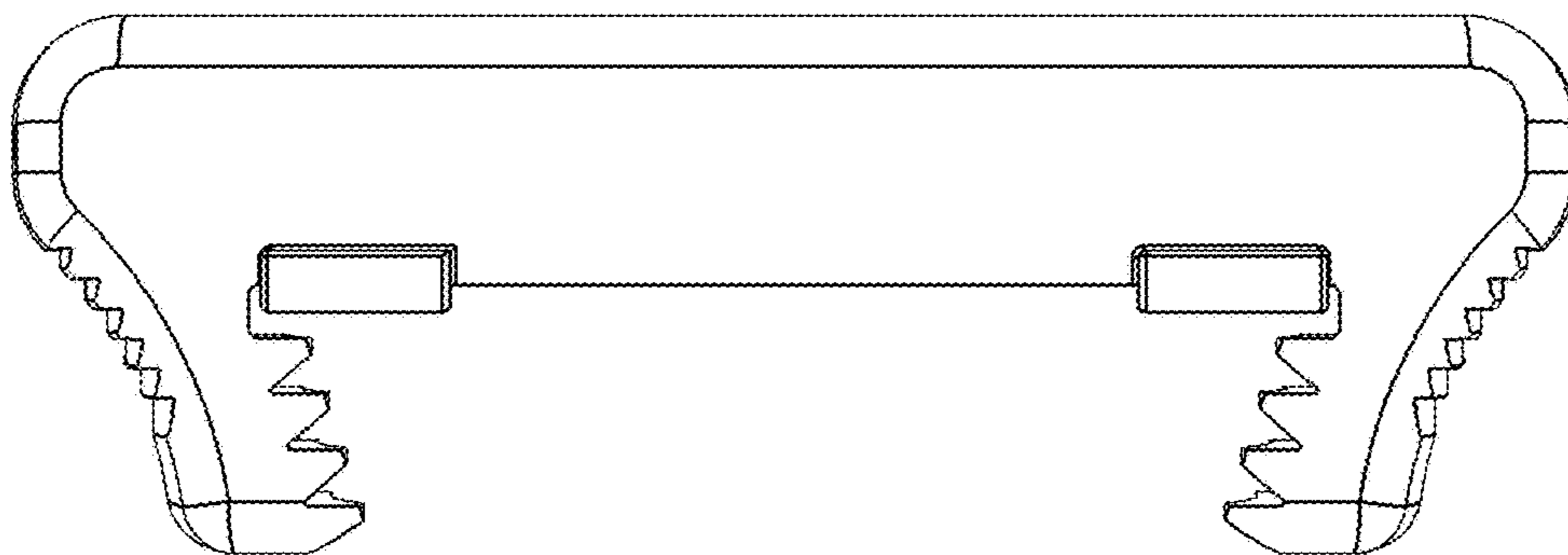


Fig. 3

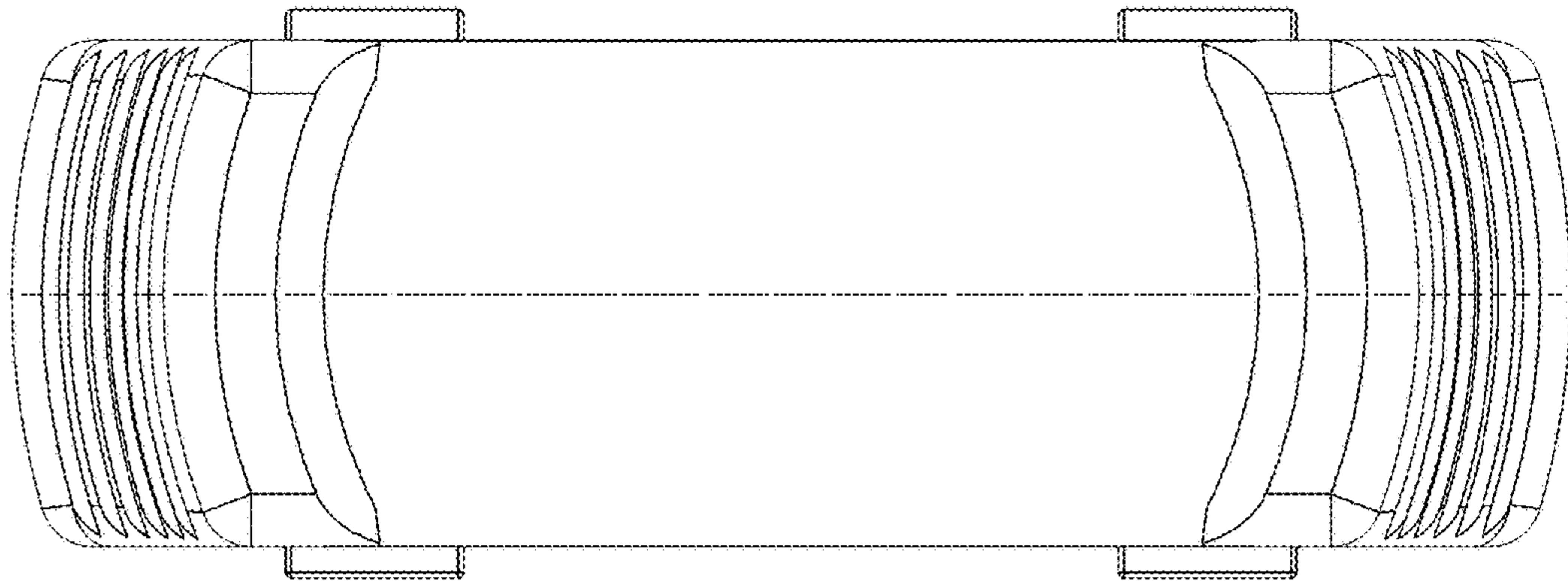


Fig. 4

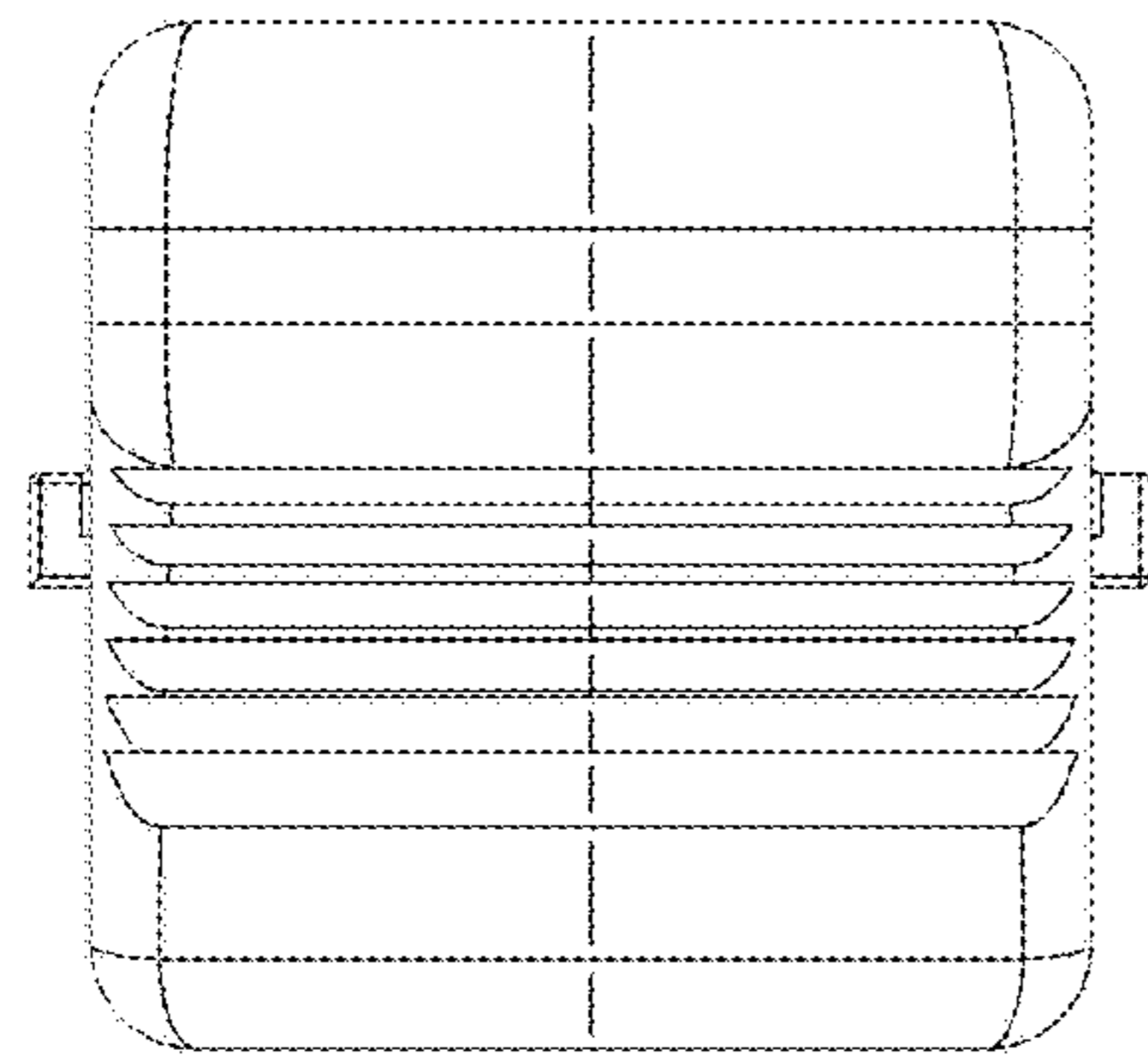


Fig. 5

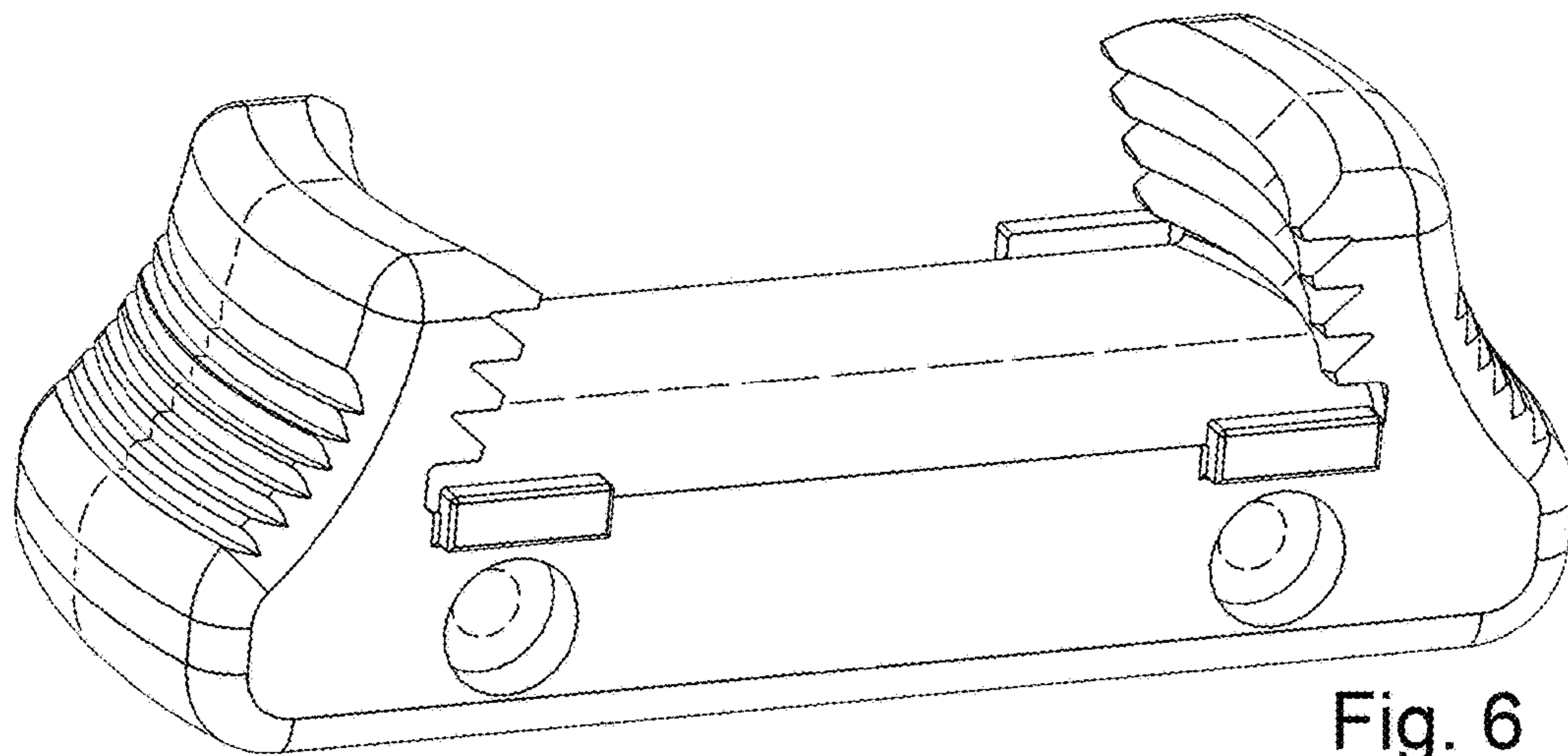


Fig. 6

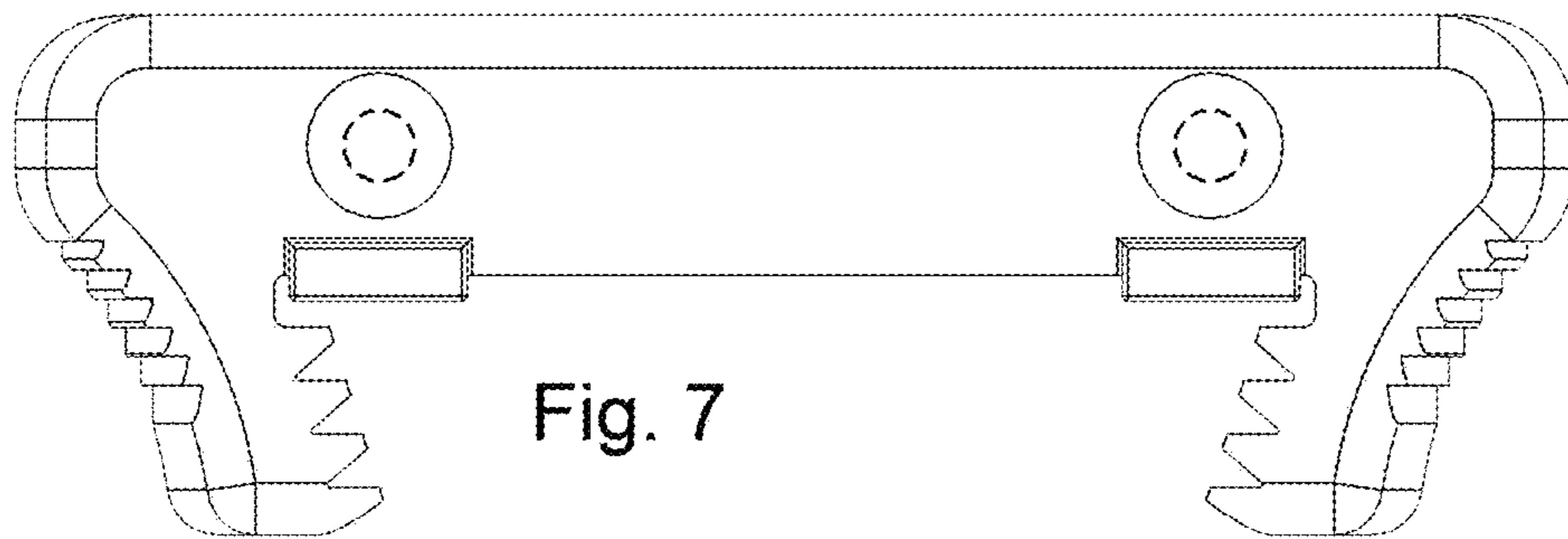


Fig. 7