



US00D788250S

(12) **United States Design Patent** (10) **Patent No.:** **US D788,250 S**
Kim (45) **Date of Patent:** **** *May 30, 2017**

(54) **FEATHER FOR AN ARROW** 8,118,695 B2 * 2/2012 Sutherland F42B 6/06
473/586
(71) Applicant: **Yeon Kim**, Seoul (KR) 8,388,473 B2 * 3/2013 Smith F42B 6/04
473/578
(72) Inventor: **Yeon Kim**, Seoul (KR) 8,617,010 B2 * 12/2013 Marshall, Jr. F41B 5/1446
473/586

(*) Notice: This patent is subject to a terminal disclaimer.

* cited by examiner

(**) Term: **15 Years**

Primary Examiner — Michael A Pratt
(74) Attorney, Agent, or Firm — Revolution IP, PLLC

(21) Appl. No.: **29/547,347**

(57) **CLAIM**

(22) Filed: **Dec. 3, 2015**

The ornamental design for “feather for an arrow,” as shown and described.

(51) **LOC (10) Cl.** **22-01**

(52) **U.S. Cl.**
USPC **D22/107**

(58) **Field of Classification Search**
USPC D22/107, 115–116
CPC .. F41B 5/1446; F42B 6/04; F42B 6/06; F42B
12/362; F42B 6/02
See application file for complete search history.

DESCRIPTION

FIG. 1 is a perspective view of feather for an arrow showing my new design;
FIG. 2 is a front view thereof;
FIG. 3 is a back view thereof;
FIG. 4 is a left side view thereof;
FIG. 5 is a right side view thereof;
FIG. 6 is a top view thereof; and
FIG. 7 is a bottom view thereof; and,
FIG. 8 is a reference view which illustrates a plurality of the feather for an arrow attached to an arrow.
The lining in FIGS. 1 through 6 and 8 indicates color contrast only.
The broken lines showing of an archery arrow FIG. 8 illustrates environment which forms not part of the claimed design.

(56) **References Cited**

U.S. PATENT DOCUMENTS

D243,527 S * 3/1977 Schnipke D22/115
5,061,008 A * 10/1991 Saunders F41B 5/1446
269/38
5,423,553 A * 6/1995 Krieg F42B 6/06
473/586
D418,191 S * 12/1999 Delmonte D22/100
D449,090 S * 10/2001 DelMonte D22/107
D503,405 S * 3/2005 Peter D14/489
D612,444 S * 3/2010 Klein D22/107

1 Claim, 5 Drawing Sheets

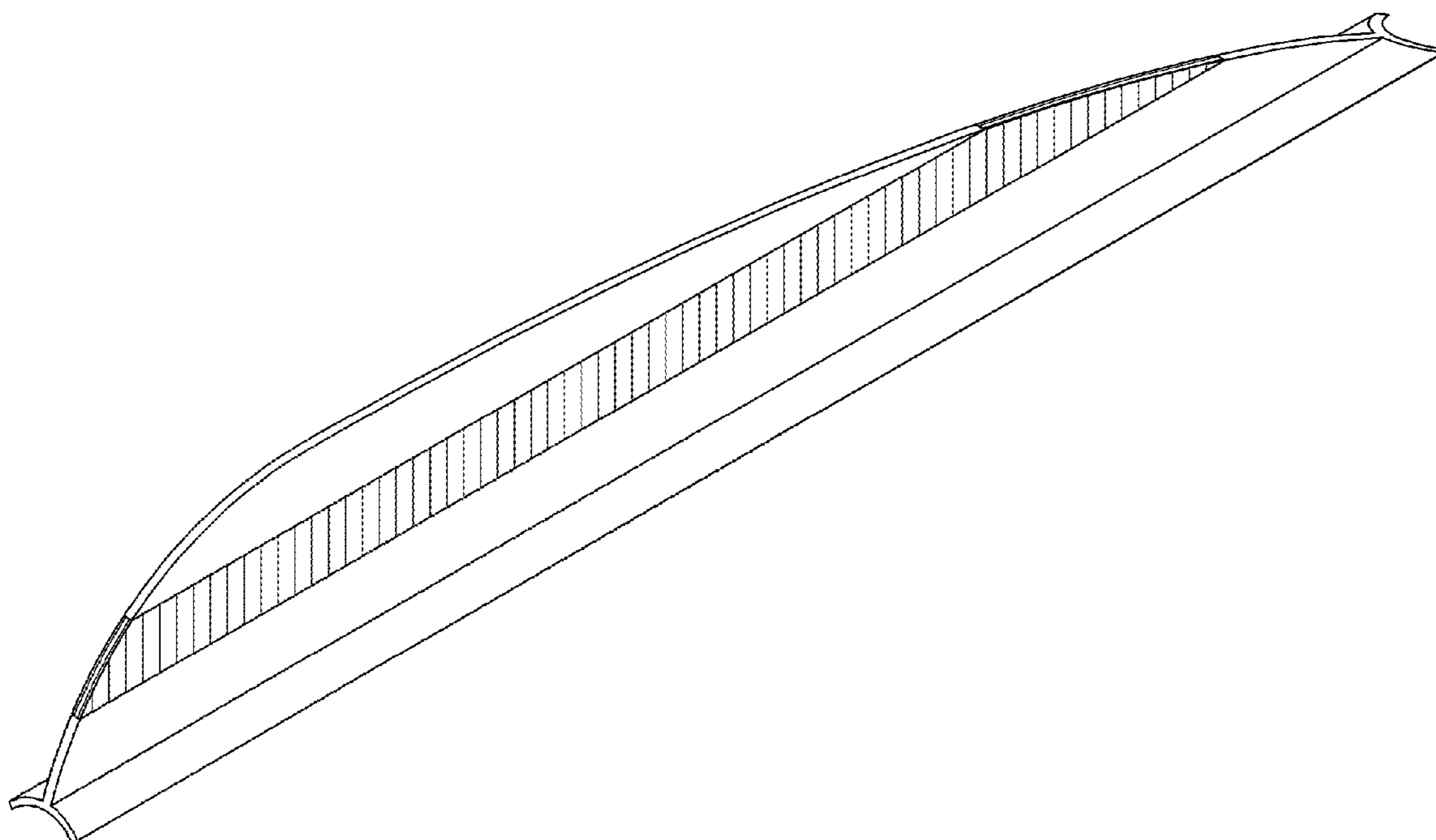


FIG. 1

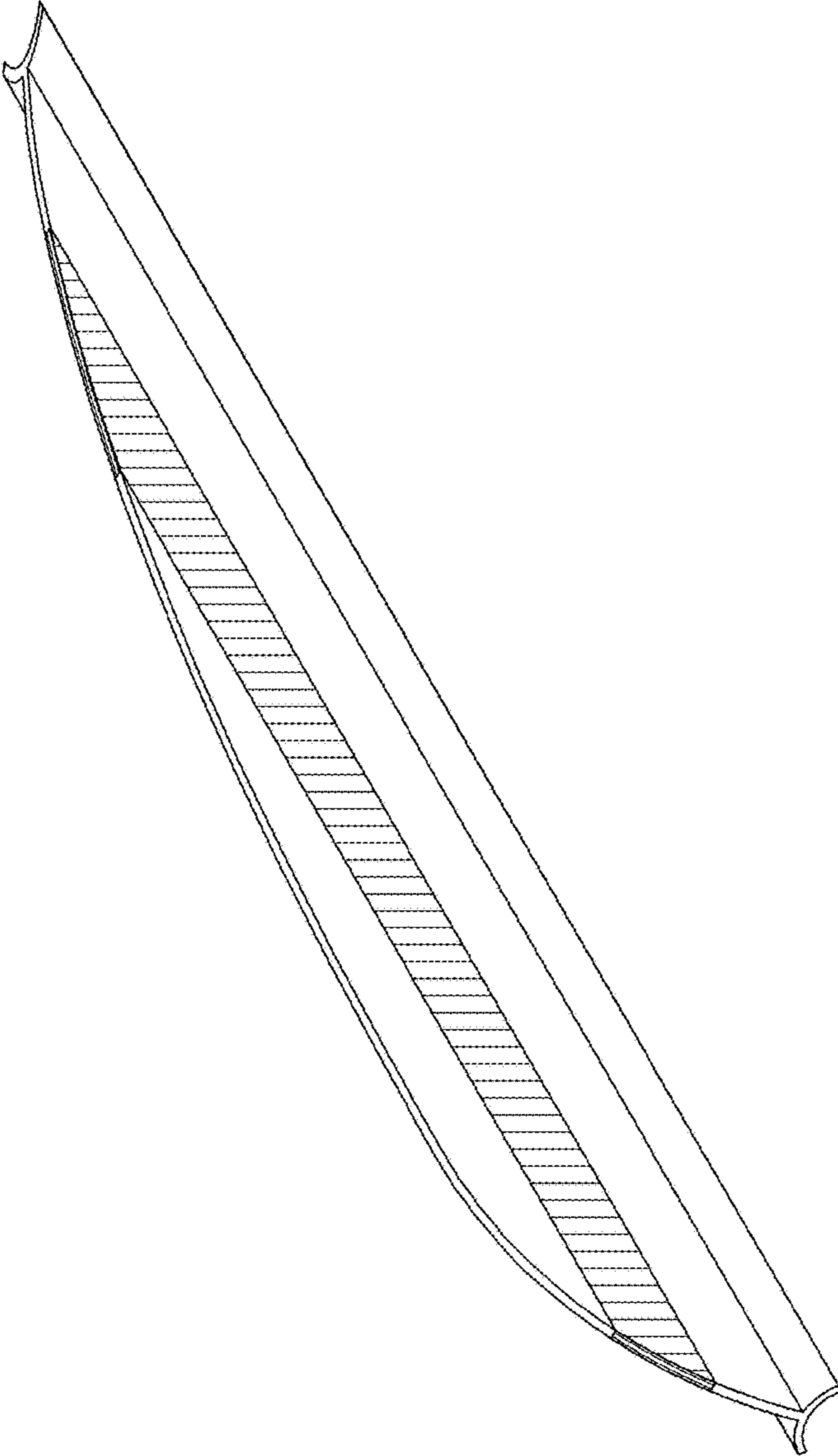


FIG. 2

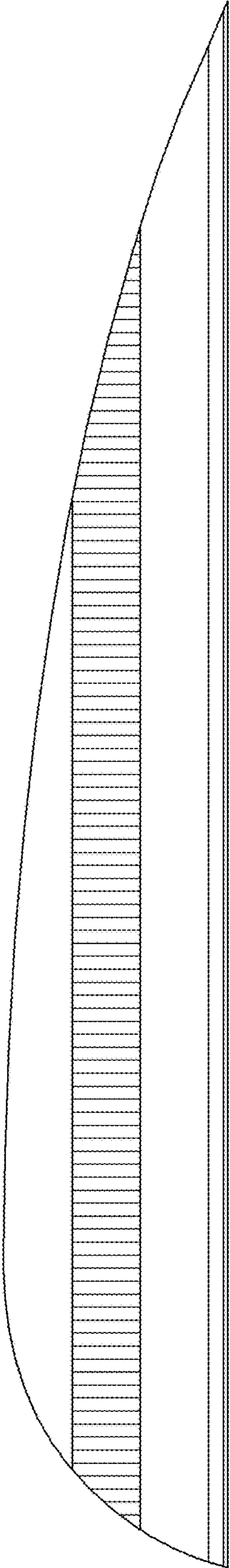


FIG. 3

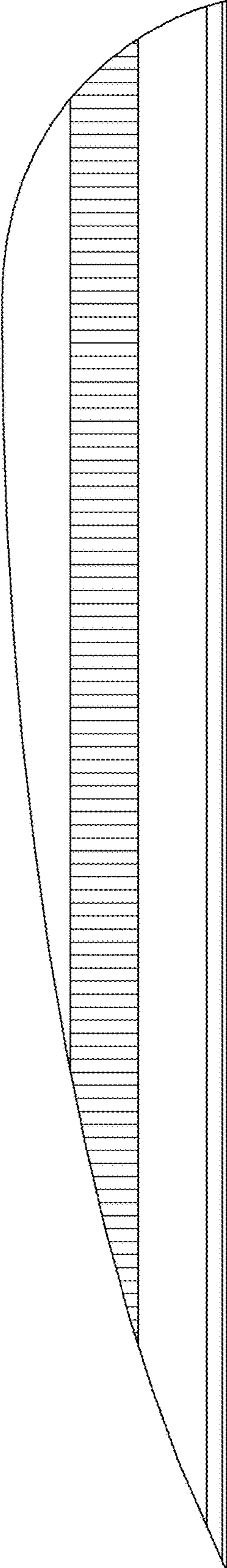


FIG. 4

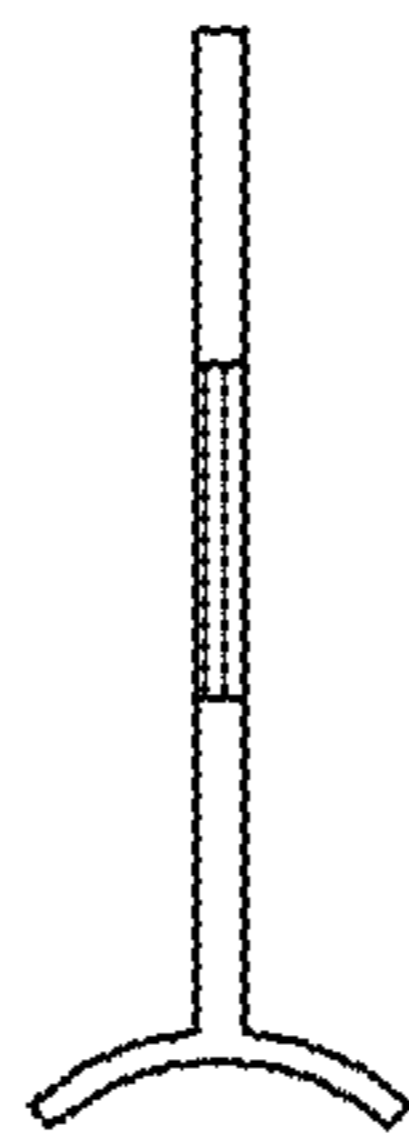


FIG. 5

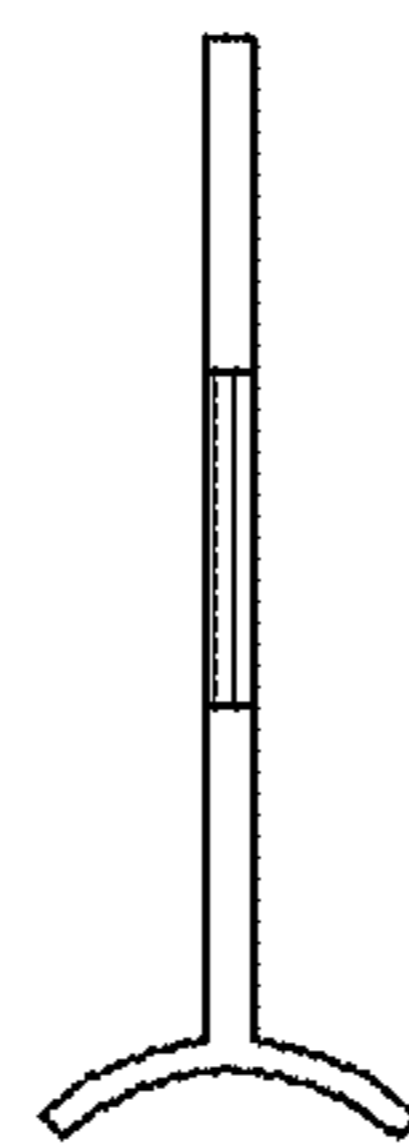


FIG. 6

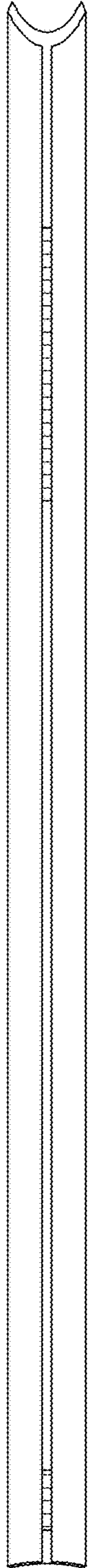


FIG. 7



FIG. 8

