



US00D788248S

(12) **United States Design Patent** (10) **Patent No.:** **US D788,248 S**  
**Fabbri** (45) **Date of Patent:** **\*\* May 30, 2017**

(54) **MERRY-GO-ROUND**  
(71) Applicant: **FABBRI GROUP CONSORZIO,**  
Calto (RO)  
(72) Inventor: **Enrico Fabbri,** Bergantino (IT)  
(73) Assignee: **FABBRI GROUP CONSORZIO,**  
Calto (RO) (IT)

D199,744 S \* 12/1964 McDonald ..... D21/530  
D200,716 S \* 3/1965 Boyd ..... D21/829  
D332,186 S \* 1/1993 Bellaflores ..... D21/829  
D587,777 S \* 3/2009 Chu ..... D21/829  
D731,019 S \* 6/2015 Fabbri ..... D21/830  
D731,020 S \* 6/2015 Fabbri ..... D21/830  
D731,021 S \* 6/2015 Fabbri ..... D21/830  
D733,826 S \* 7/2015 Fabbri ..... D21/830

\* cited by examiner

(\*\*) Term: **14 Years**

*Primary Examiner* — Mitchell Siegel

(21) Appl. No.: **29/511,428**

(74) *Attorney, Agent, or Firm* — R. Neil Sudol; Henry D. Coleman

(22) Filed: **Dec. 10, 2014**

(57) **CLAIM**

(30) **Foreign Application Priority Data**

Aug. 13, 2014 (EM) ..... 2518845-0001

An ornamental design for merry-go-round, as shown and described.

(51) **LOC (10) Cl.** ..... **21-03**

**DESCRIPTION**

(52) **U.S. Cl.**  
USPC ..... **D21/830**

(58) **Field of Classification Search**  
USPC ..... D21/828–833, 530  
CPC ..... A63G 21/00–21/22; A63G 27/00  
See application file for complete search history.

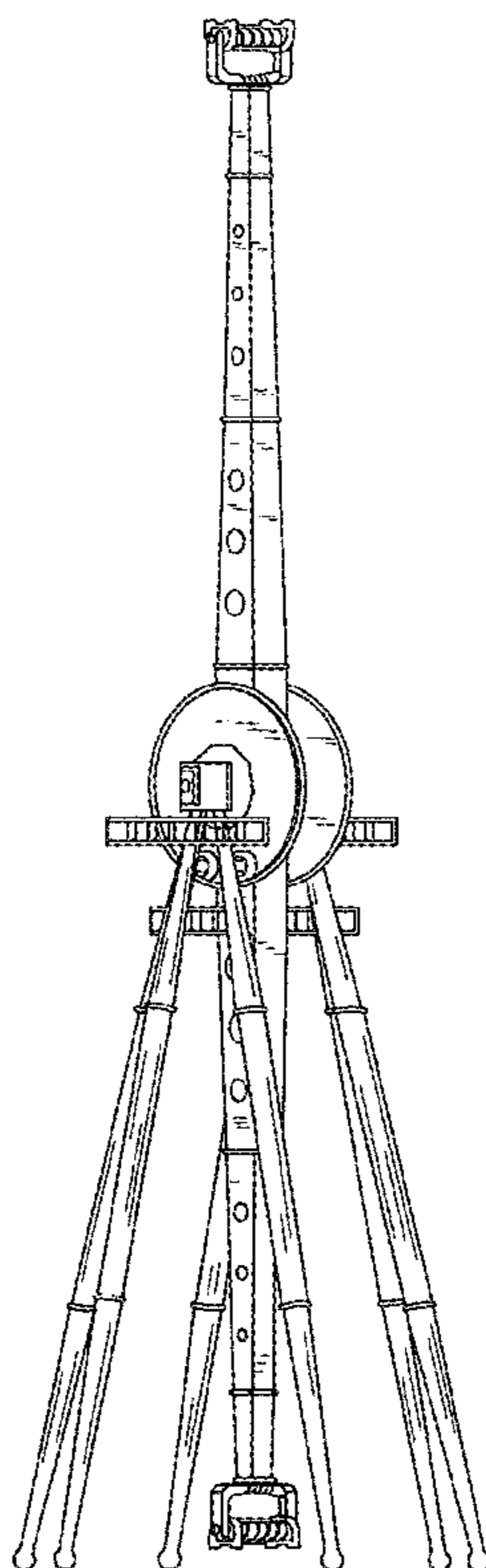
FIG. 1 is a front elevational view of merry-go-round, showing a new design in accordance with the present invention;  
FIG. 2 is left side elevational view thereof, the right side elevational view being a mirror image of the left side elevational view;  
FIG. 3 is a front and left perspective view thereof;  
FIG. 4 is a left side and rear elevational view thereof;  
FIG. 5 is top plan view thereof; and,  
FIG. 6 is a bottom plan view thereof.

(56) **References Cited**

**U.S. PATENT DOCUMENTS**

2,101,274 A \* 12/1937 Stanzel ..... A63G 27/02  
434/55  
D199,743 S \* 12/1964 McDonald ..... D21/530

**1 Claim, 6 Drawing Sheets**



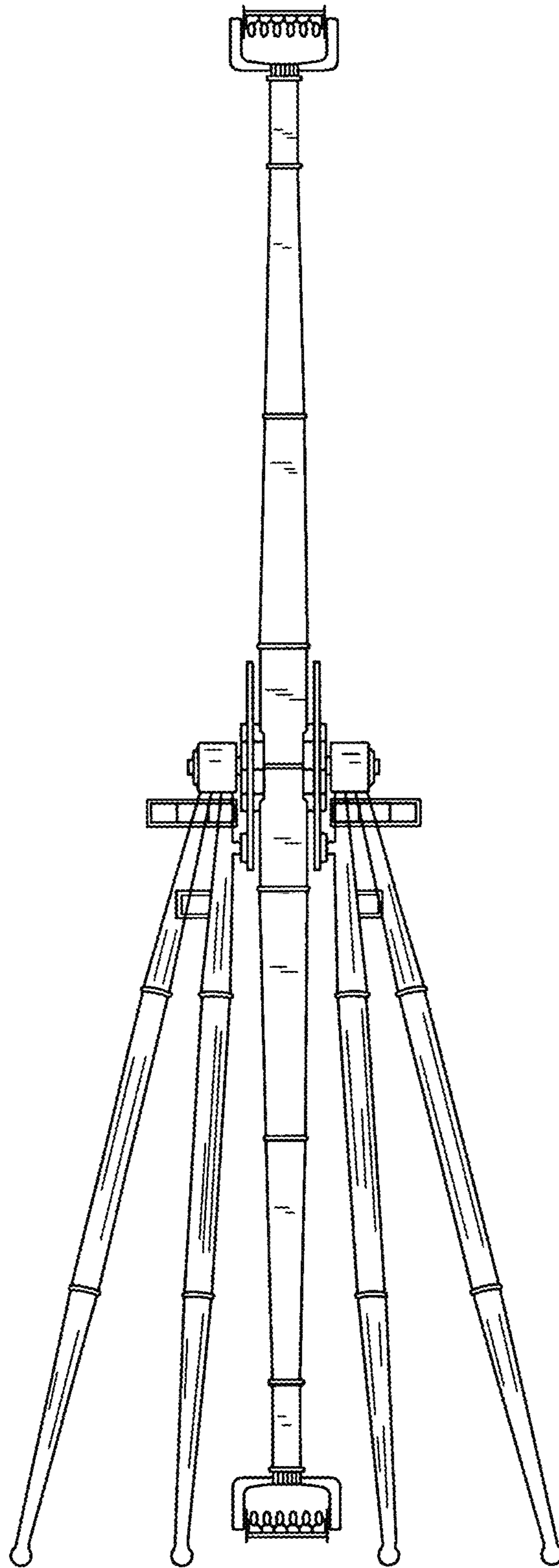


FIG. 1

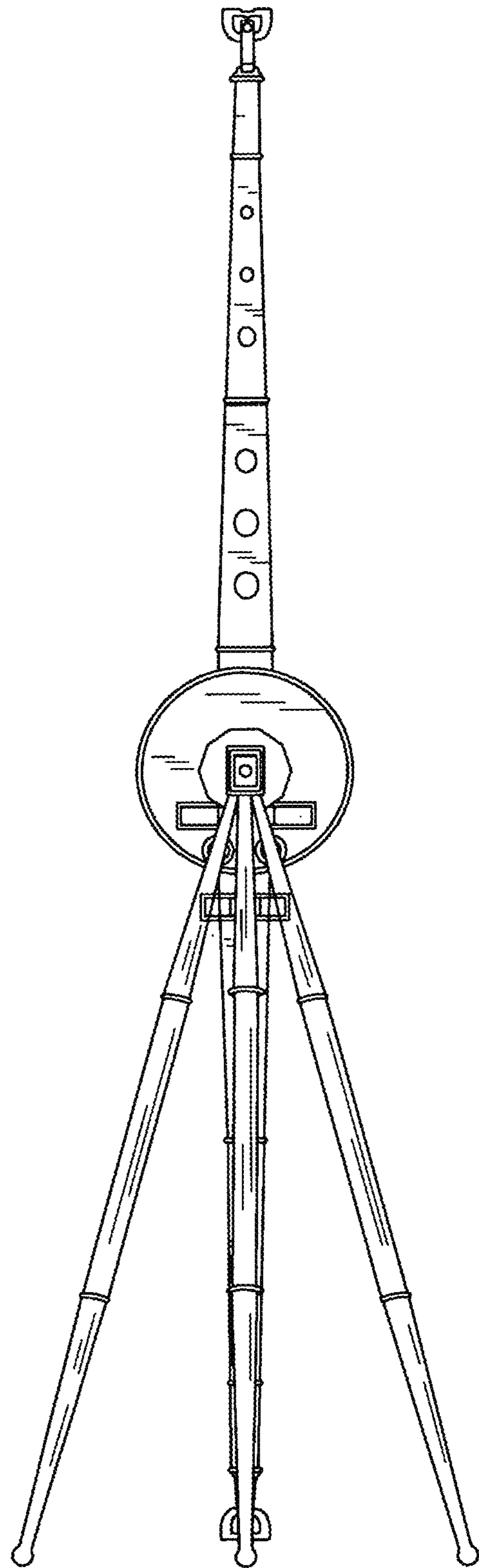


FIG. 2

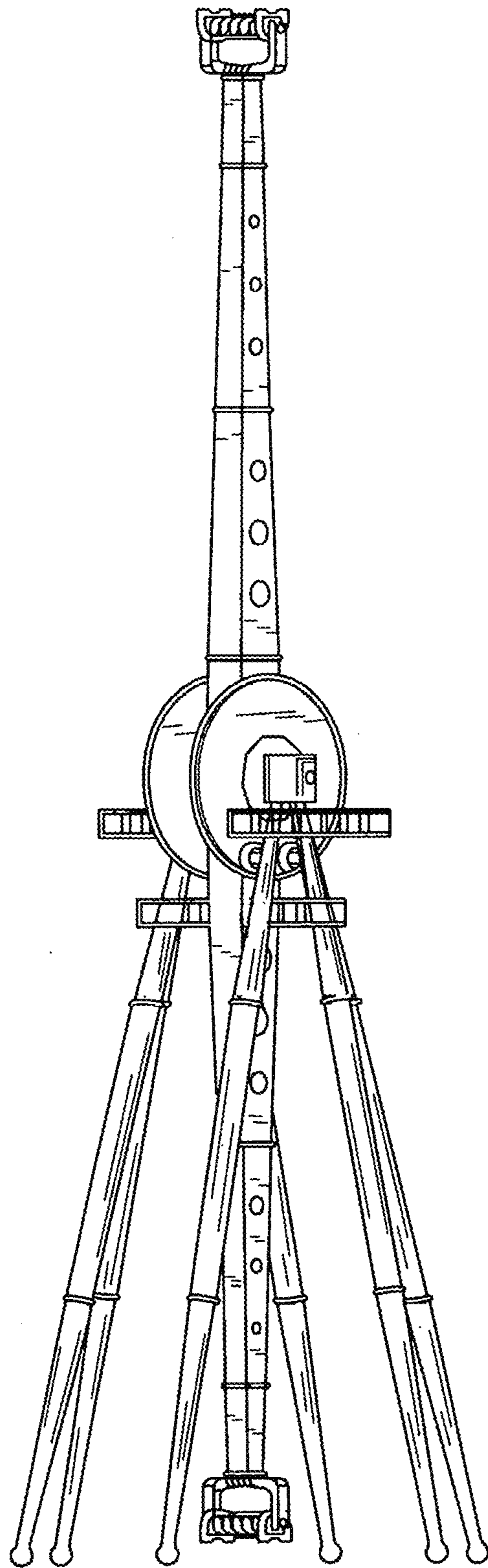


FIG. 3

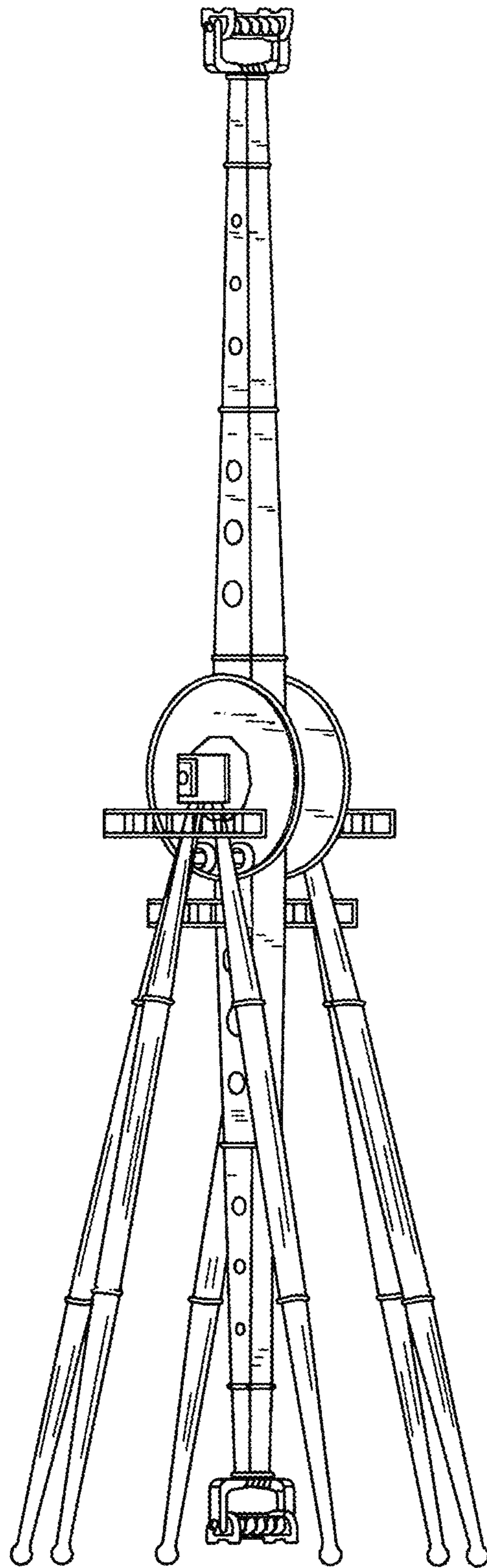


FIG. 4



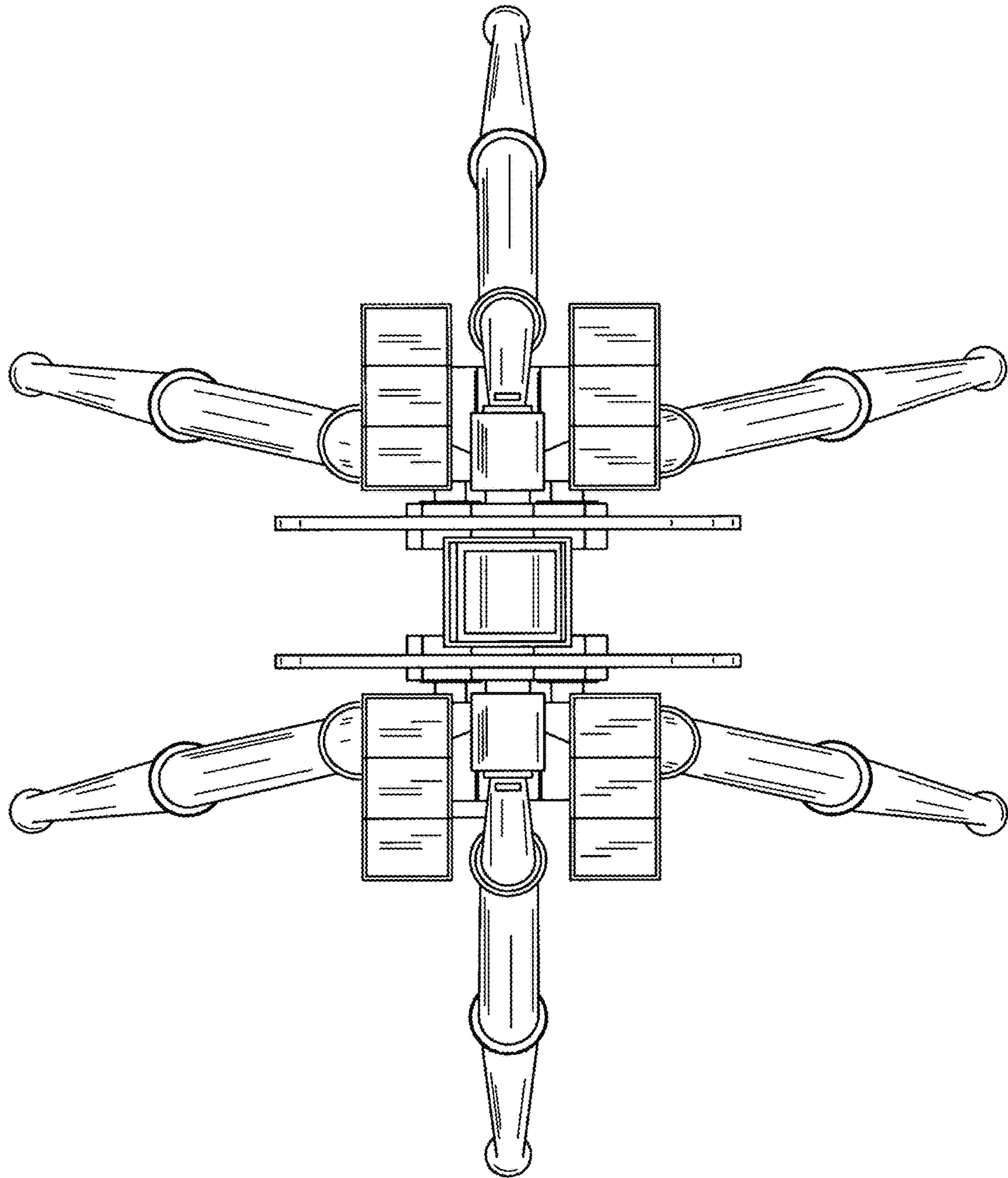


FIG. 5

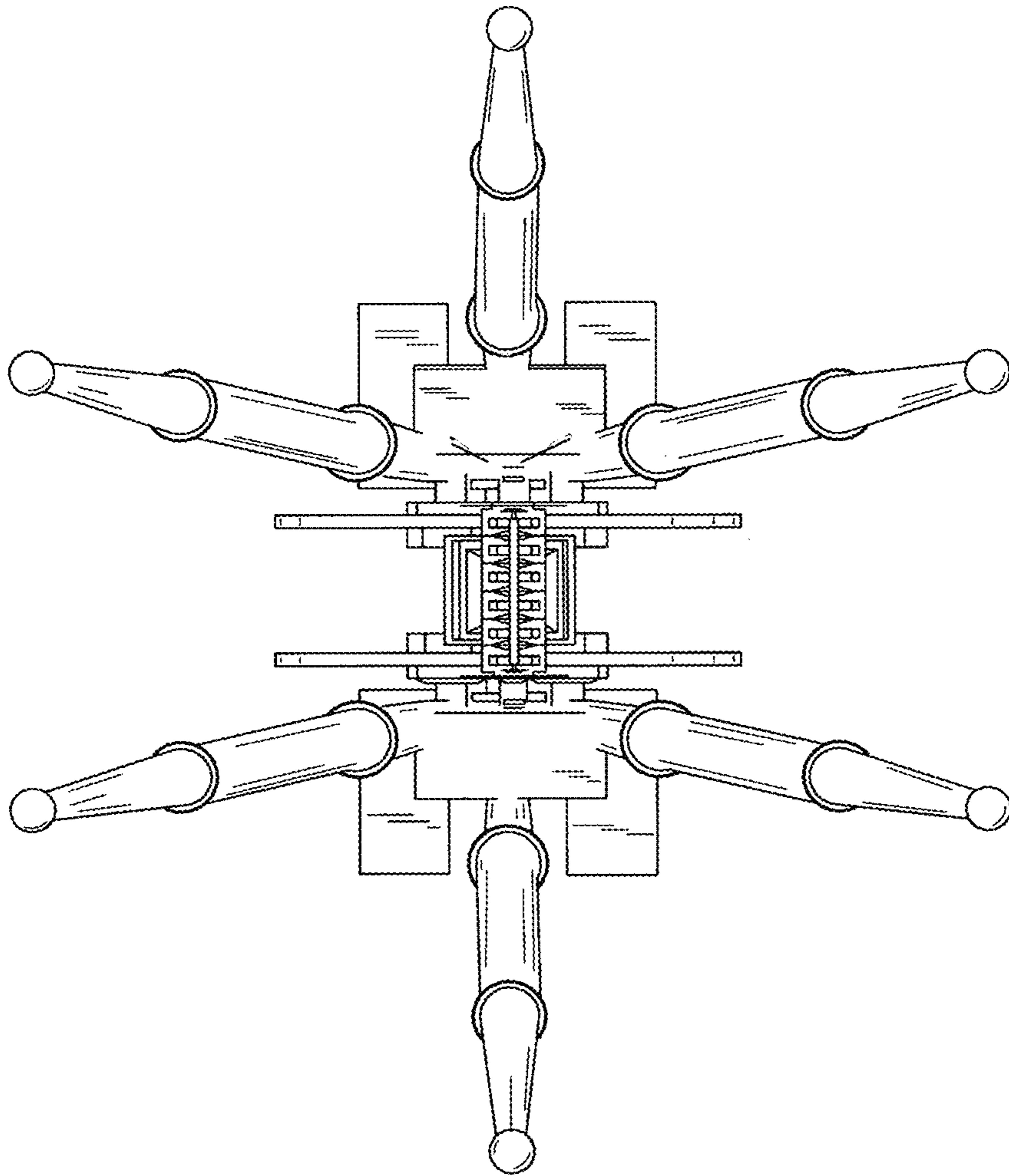


FIG. 6