



US00D788247S

(12) **United States Design Patent**
Lin et al.

(10) **Patent No.:** **US D788,247 S**

(45) **Date of Patent:** **** May 30, 2017**

- (54) **INFLATABLE POOL**
- (71) Applicant: **Intex Recreation Corp.**, Long Beach, CA (US)
- (72) Inventors: **Hua Hsiang Lin**, Fujian (CN); **Yaw Yuan Hsu**, Fujian (CN)
- (73) Assignee: **Intex Marketing Ltd.**, Tortola (VG)
- (**) Term: **15 Years**
- (21) Appl. No.: **29/533,605**

5,729,840	A *	3/1998	Wu	E04H 4/0025 114/345
5,946,744	A *	9/1999	Peterson	E04H 4/0025 4/506
D425,165	S *	5/2000	Klimenko	D21/815
6,595,861	B1 *	7/2003	Morrow	E04H 4/0025 4/488
D478,956	S *	8/2003	Feuer	D21/815
D480,817	S *	10/2003	Carreau	D25/2
D725,210	S *	3/2015	Anastasia	D21/815
D739,615	S *	9/2015	Robertson	D30/129
2006/0162062	A1 *	7/2006	Liu	E04H 4/0025 4/506
2010/0229296	A1 *	9/2010	Samuel	E04H 4/0025 4/506

- (22) Filed: **Jul. 20, 2015**
- (51) **LOC (10) Cl.** **21-03**
- (52) **U.S. Cl.**
USPC **D21/815; D25/2**
- (58) **Field of Classification Search**
USPC D25/2; D23/277-280.1, 304;
D24/201-205; D30/101, 15, 129, 130;
52/169.7; 4/499, 506, 494, 505, 507,
4/510, 513; D12/316; D21/803, 815
CPC B23C 2009/042
See application file for complete search history.

OTHER PUBLICATIONS

Intex, Playground Pool (#58466), 2000, p. 46.
Intex, Crystal Blue Pool (#59416), 2000, p. 40.
Intex, Kiddie Pool (#56468), 2000, p. 39.

* cited by examiner

Primary Examiner — Rosemary K Tarcza
Assistant Examiner — Brett Miller

(74) *Attorney, Agent, or Firm* — Faegre Baker Daniels LLP

- (56) **References Cited**
U.S. PATENT DOCUMENTS
- 2,529,872 A * 11/1950 Hasselquist E04H 4/0025
4/506
- 2,689,812 A * 9/1954 Mollica B29D 22/02
114/346
- 2,714,726 A * 8/1955 Hasselquist E04H 4/0025
4/506
- 3,454,272 A 7/1969 Elkington et al.
- D224,306 S * 7/1972 Anderson D23/278
- 3,913,332 A * 10/1975 Forsman E04H 4/0006
4/491
- D302,753 S * 8/1989 Zelinger D30/129
- 4,935,970 A 6/1990 Aristone
- 5,572,750 A * 11/1996 Johnston E04H 4/14
4/494

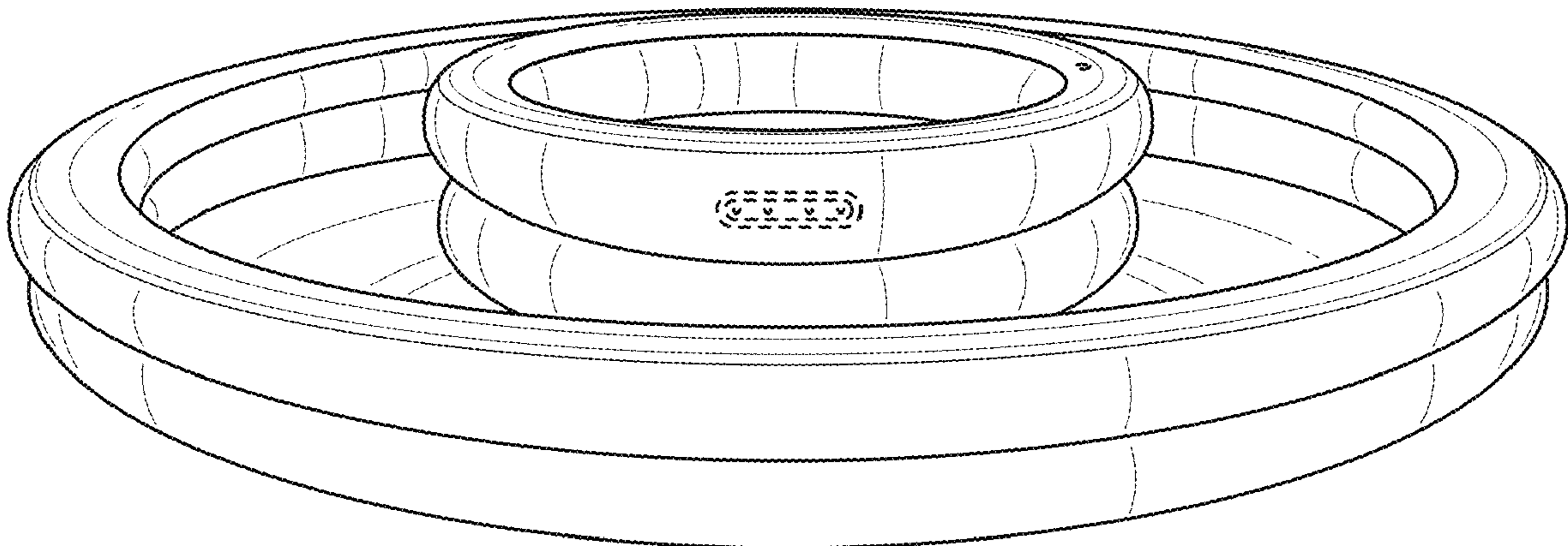
(57) **CLAIM**

We claim the ornamental design for an inflatable pool, as shown and described.

DESCRIPTION

FIG. 1 is a front perspective view of an inflatable pool;
FIG. 2 is a top plan view thereof;
FIG. 3 is a bottom plan view thereof;
FIG. 4 is a right side elevation view thereof; and,
FIG. 5 is a left side elevational view thereof.
The broken lines in FIGS. 1-4 depict portions of the inflatable pool that form no part of the claimed design.

1 Claim, 4 Drawing Sheets



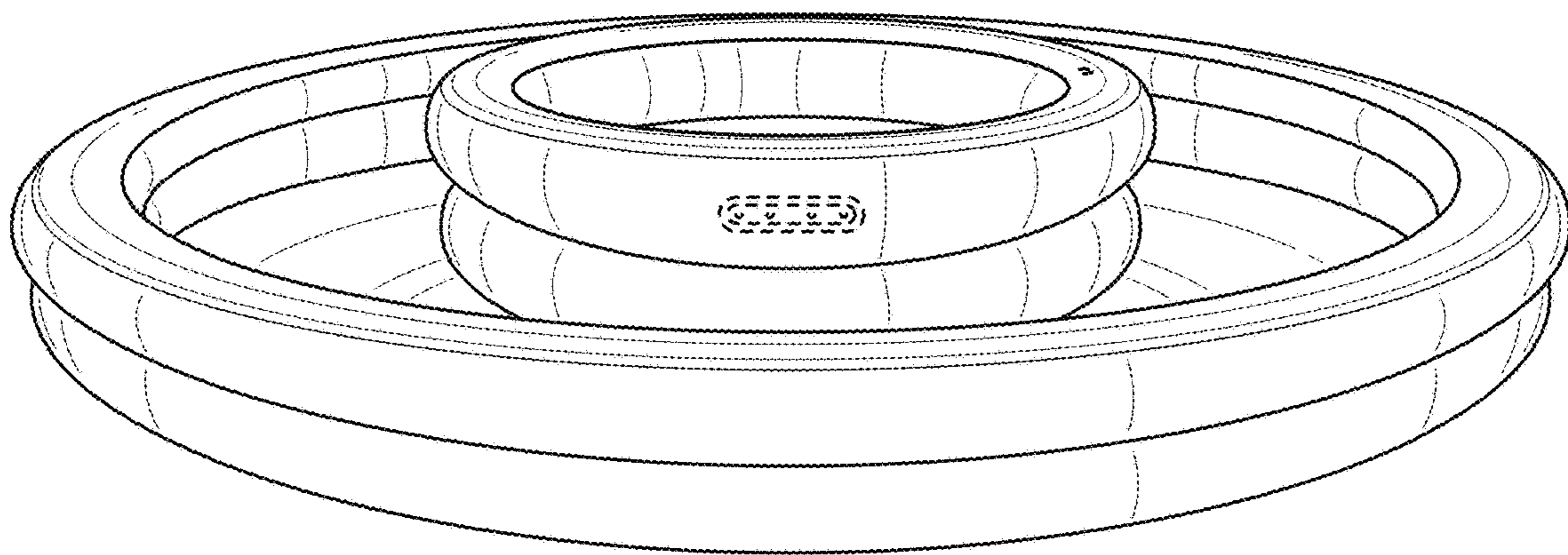


FIG. 1

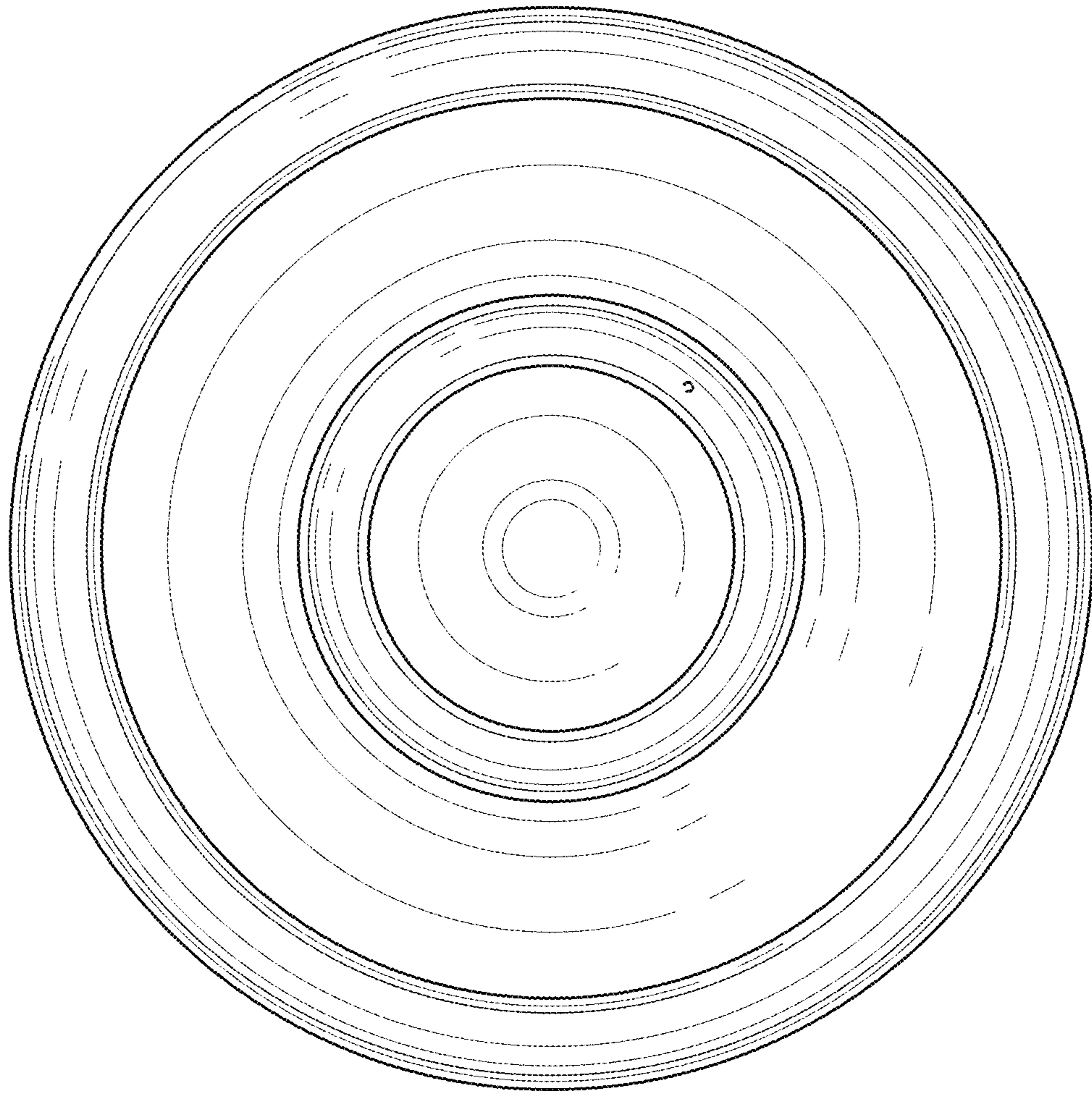


FIG. 2

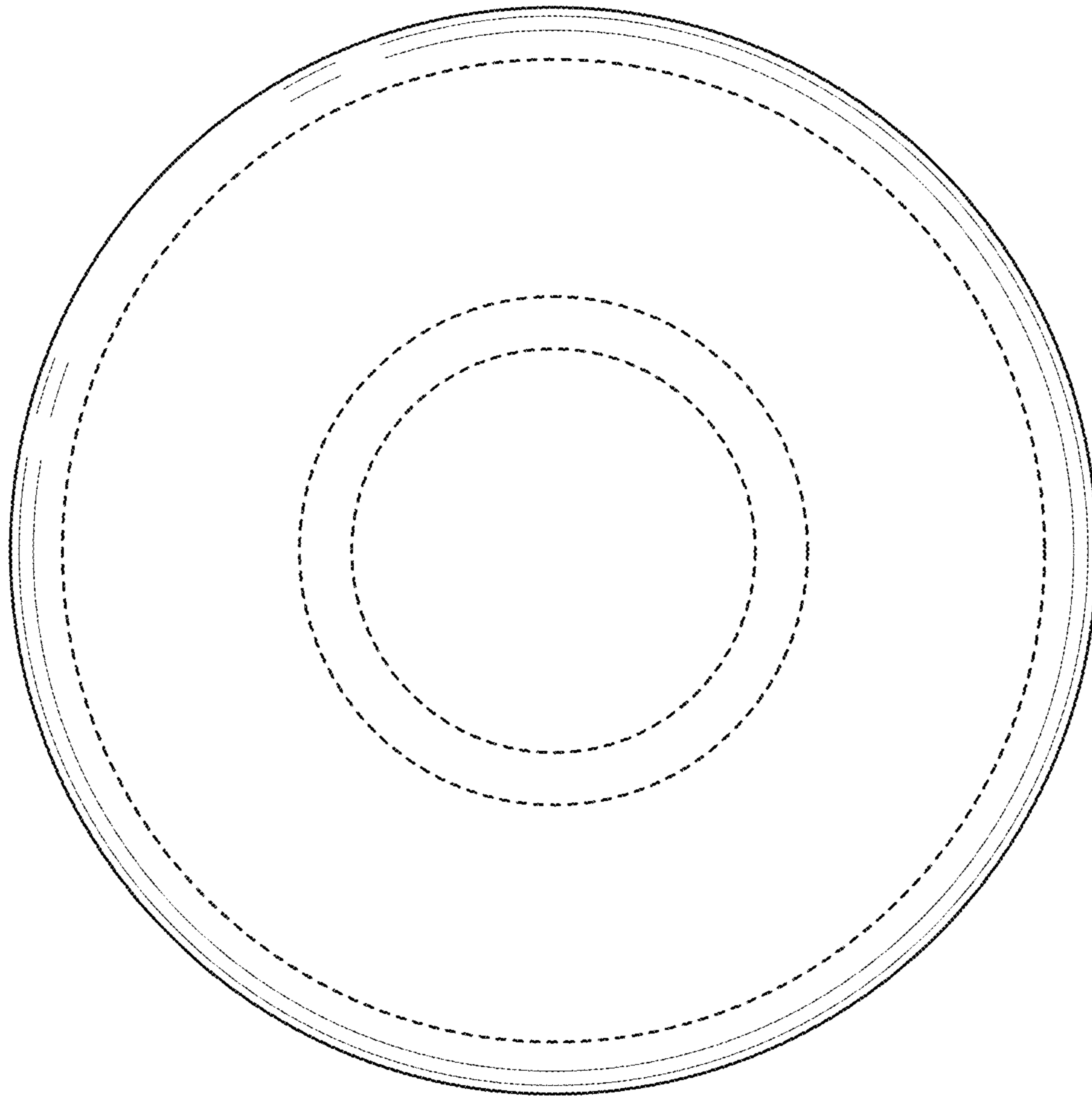


FIG. 3

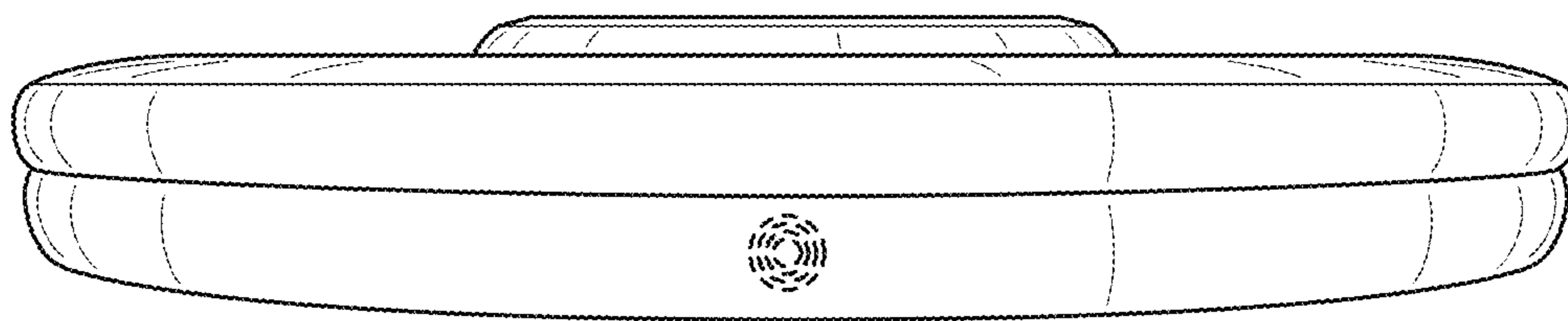


FIG. 4

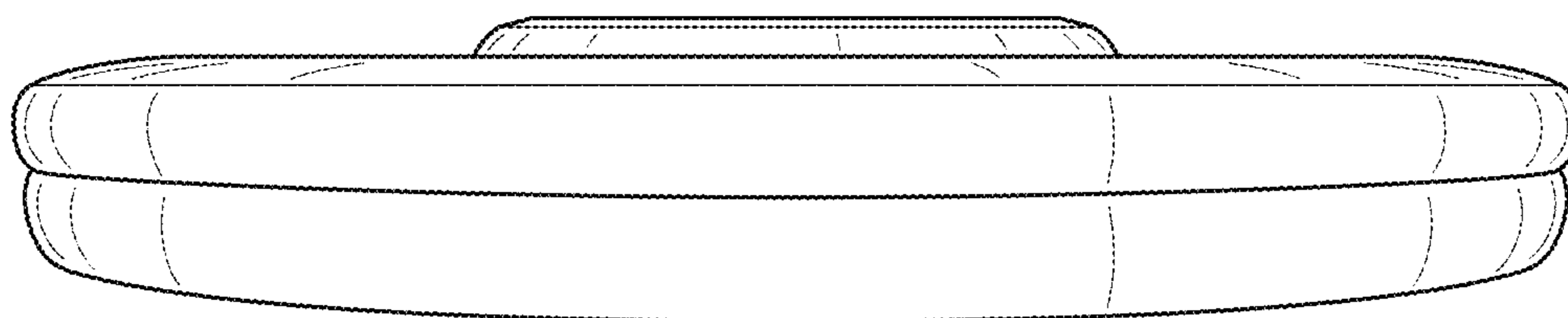


FIG. 5