



US00D788242S

(12) **United States Design Patent** (10) **Patent No.:** **US D788,242 S**  
**Chen** (45) **Date of Patent:** **\*\* May 30, 2017**

(54) **TRAMPOLINE FRAME**  
(71) Applicant: **Samuel Chen**, Shanghai (CN)  
(72) Inventor: **Samuel Chen**, Shanghai (CN)  
(\*\*) Term: **15 Years**  
(21) Appl. No.: **29/555,851**  
(22) Filed: **Feb. 25, 2016**  
(51) **LOC (10) Cl.** ..... **21-02**  
(52) **U.S. Cl.**  
USPC ..... **D21/797**  
(58) **Field of Classification Search**  
USPC ..... D21/797, 668, 669, 834, 826, 688;  
D6/582-594, 716; 482/27, 35, 29, 112,  
482/33, 110, 148, 28, 77, 147, 51;  
297/23, 26, 452.18; 135/96, 117;  
D30/112; D25/1, 16, 22, 56; 446/220;  
473/469; 182/139, 224; 273/395, 402;  
D8/21, 29, 14, 382; 81/124.6, 63.1,  
81/177.85, 125.1, 177.2; D12/118, 178;  
285/133.21, 197, 319, 921; 403/170, 217,  
403/326, 28, 188, 230  
CPC ..... A63B 5/11; A63B 21/023; A63B 71/022;  
A63B 2208/12; A63B 2210/50; A63B  
21/0552; A63B 21/026; B25B 13/04  
See application file for complete search history.

D480,283 S \* 10/2003 Brown ..... D8/14  
D510,847 S \* 10/2005 McKnight ..... D8/29  
7,104,164 B2 \* 9/2006 Jirele ..... B25B 23/108  
7/100  
D550,529 S \* 9/2007 Alsobrook ..... D8/29  
7,340,984 B2 \* 3/2008 Hsieh ..... B25B 13/06  
81/125.1  
D634,596 S \* 3/2011 Munroe ..... D8/29  
2006/0046899 A1 \* 3/2006 Wang ..... F16B 7/042  
482/27  
2006/0189441 A1 \* 8/2006 VanElverdinghe ..... A63B 5/11  
482/27  
2007/0049463 A1 \* 3/2007 Chu ..... A63B 5/11  
482/27  
2009/0023558 A1 \* 1/2009 VanElverdinghe .. A63B 71/022  
482/29  
2010/0240496 A1 \* 9/2010 Chen ..... A63B 5/11  
482/27

(Continued)

*Primary Examiner* — Robert M Spear  
*Assistant Examiner* — Ryan Harvey  
(74) *Attorney, Agent, or Firm* — Clement Cheng

(57) **CLAIM**

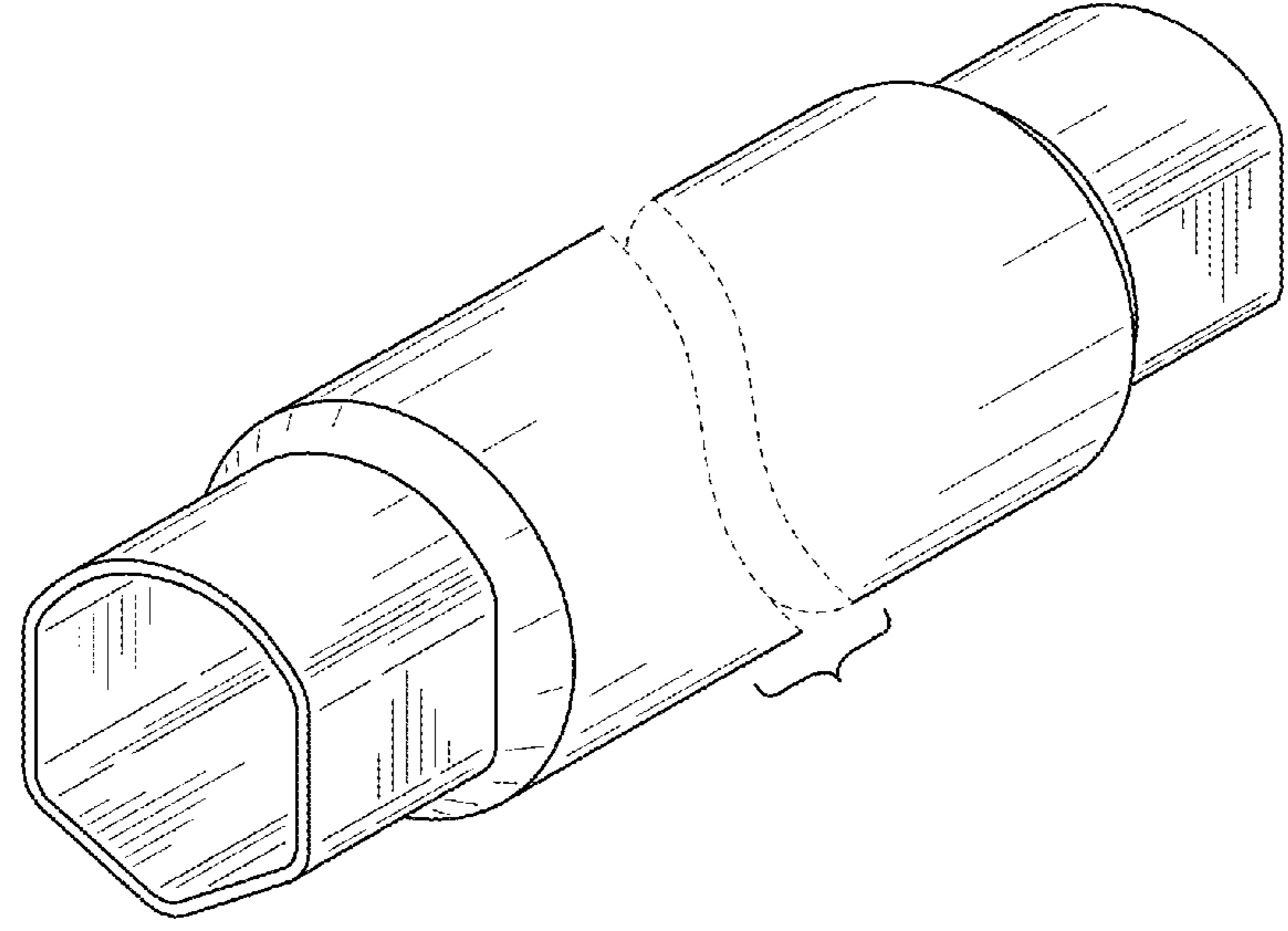
The ornamental design for a trampoline frame, as shown and described.

**DESCRIPTION**

FIG. 1 is a perspective view.  
FIG. 2 is a front view.  
FIG. 3 is a rear view.  
FIG. 4 is a left side view.  
FIG. 5 is a right side view.  
FIG. 6 is a top view; and,  
FIG. 7 is a bottom view.  
The claimed design is shown with a symbolic break in its length. The appearance of any portion of the article between the brake lines forms no part of the claimed design. The dotted line disclosure forms no part of the claimed design.

**1 Claim, 2 Drawing Sheets**

(56) **References Cited**  
U.S. PATENT DOCUMENTS  
D217,896 S \* 6/1970 Sexauer ..... D8/29  
3,788,169 A \* 1/1974 Nakayama ..... B25B 13/06  
81/124.6  
D318,997 S \* 8/1991 Baker ..... 81/124.6  
D390,432 S \* 2/1998 Shaffer ..... D8/29  
D402,517 S \* 12/1998 Gracia ..... D8/29  
D437,537 S \* 2/2001 Carter, Jr. .... D8/29  
D464,545 S \* 10/2002 Marty ..... D8/21



(56)

**References Cited**

U.S. PATENT DOCUMENTS

2013/0045837 A1\* 2/2013 Hsiang ..... A63B 5/11  
482/27  
2016/0030794 A1\* 2/2016 Yang ..... A63B 5/11  
482/27

\* cited by examiner

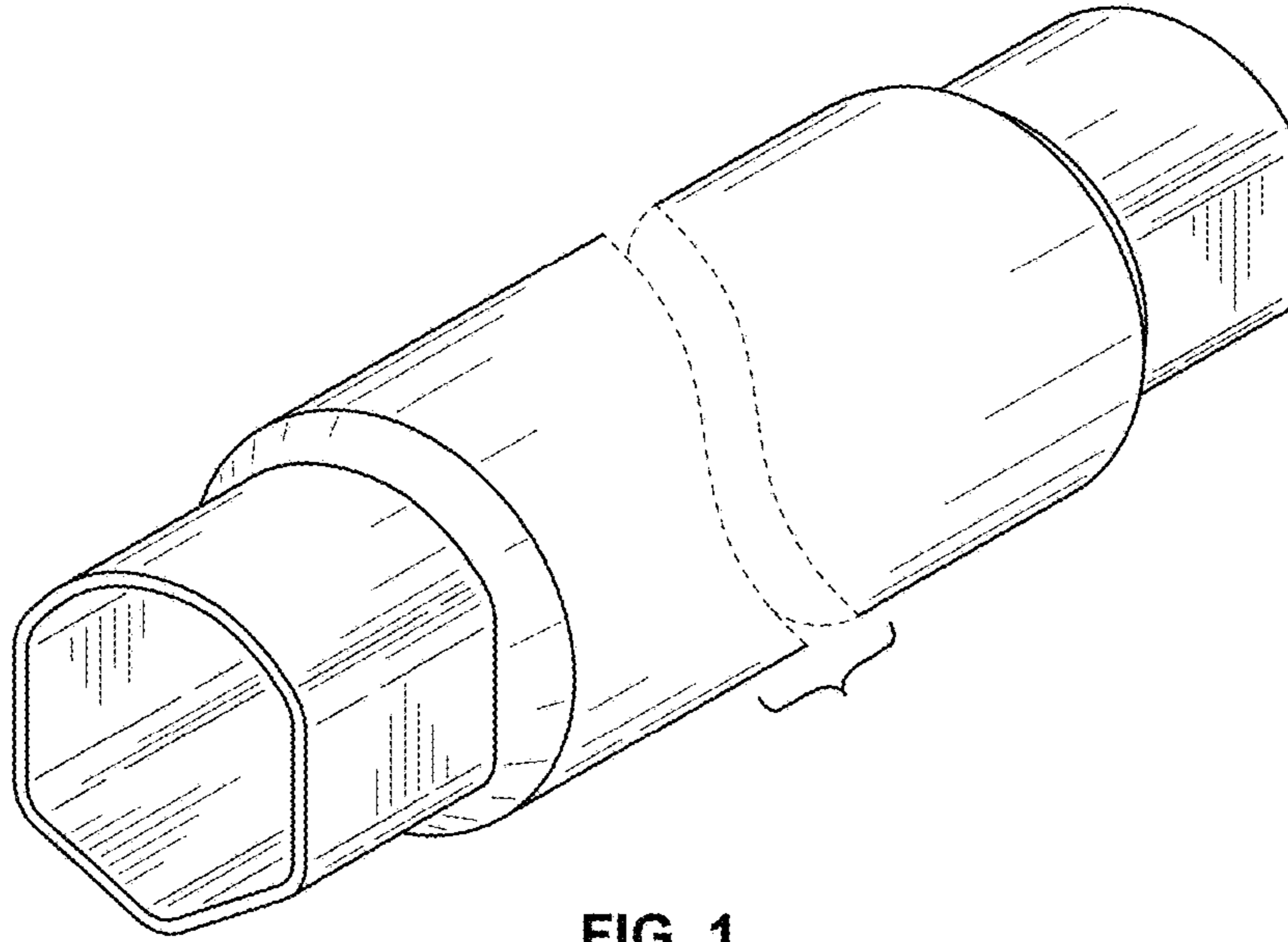


FIG. 1

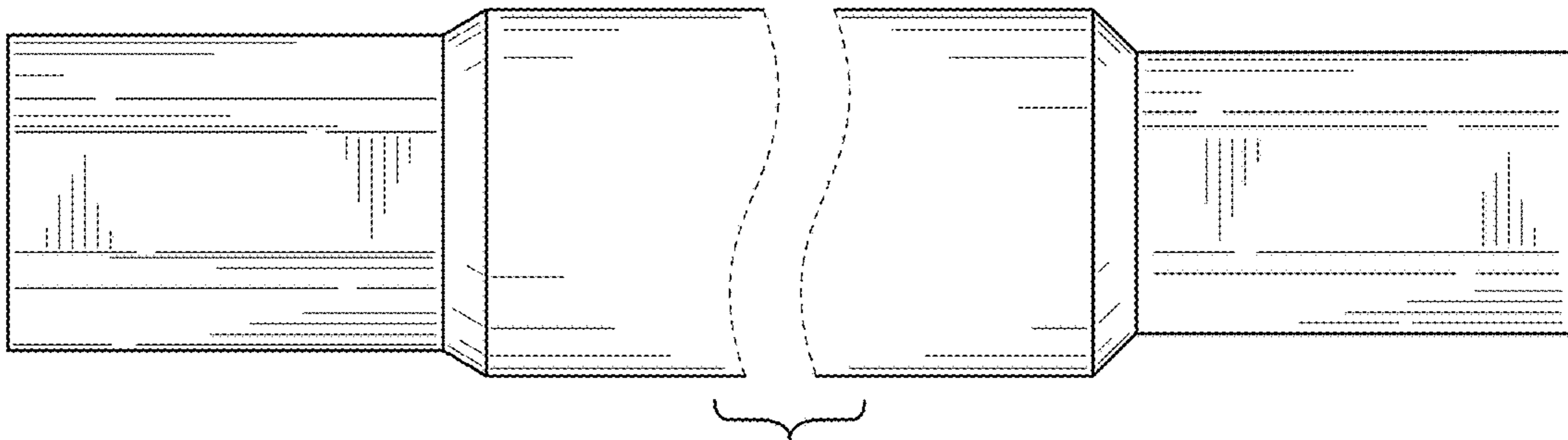


FIG. 2

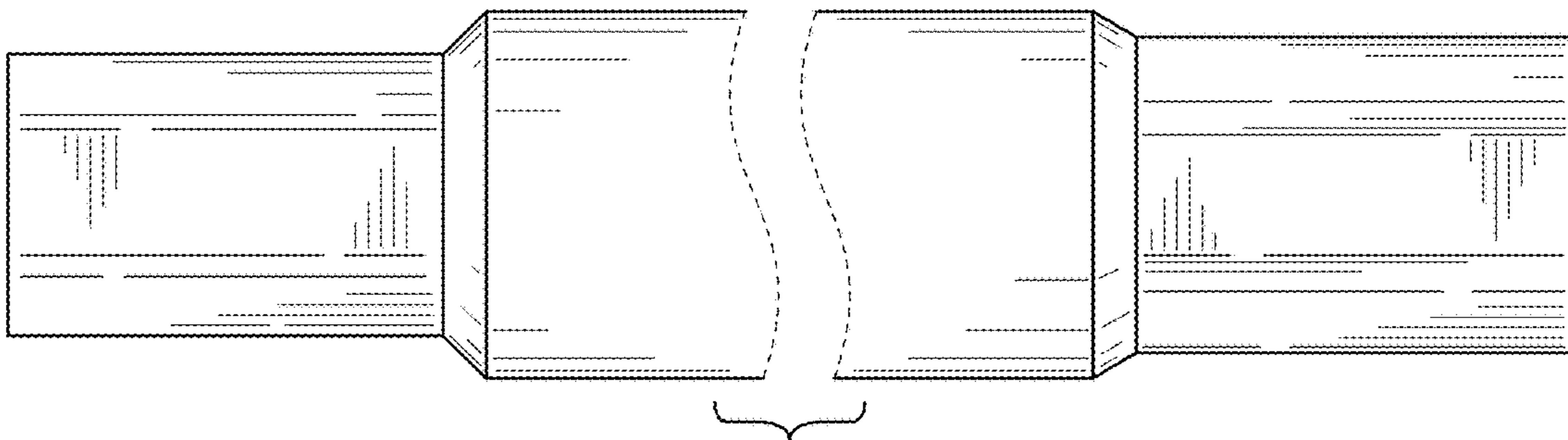


FIG. 3

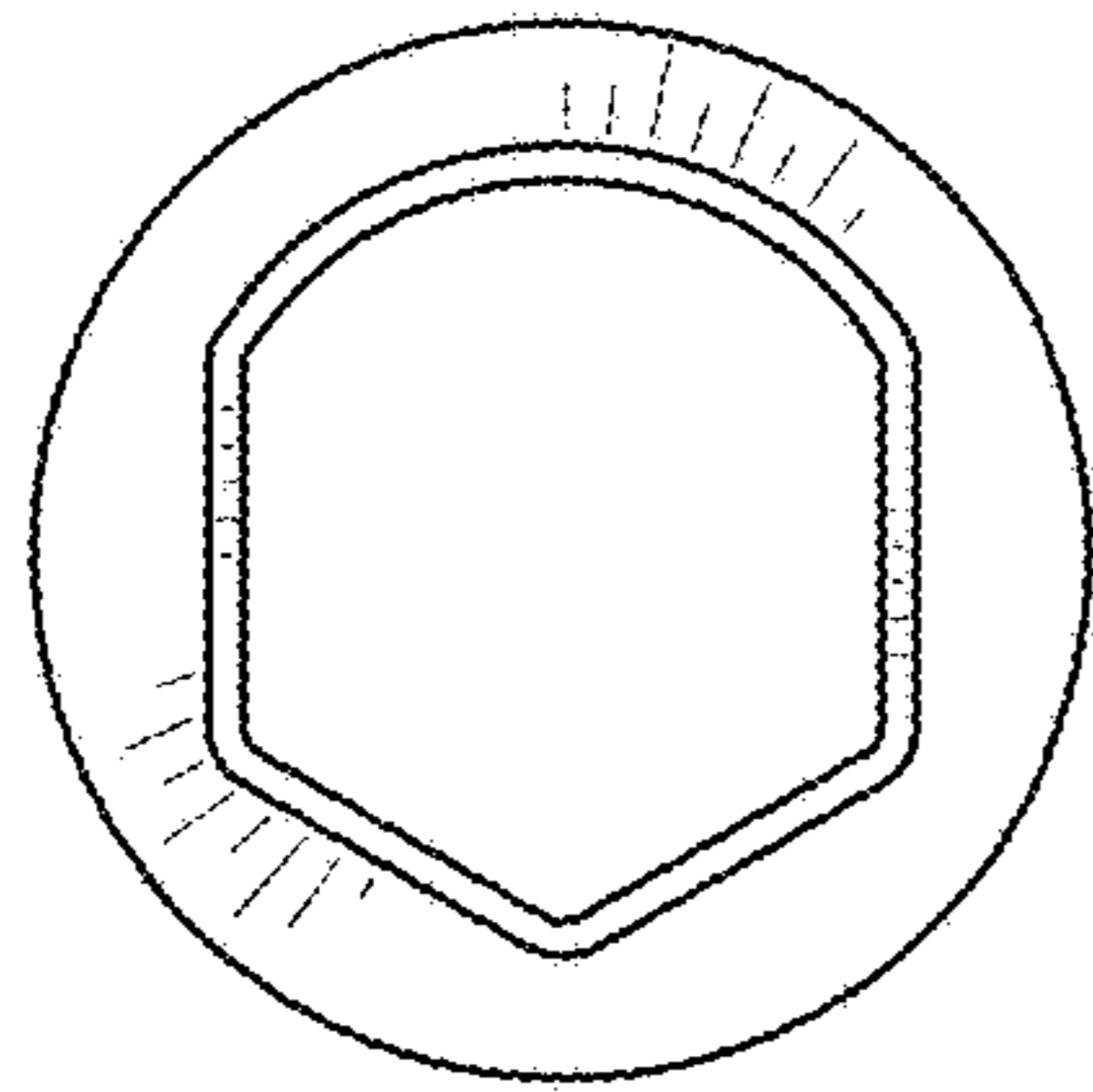


FIG. 4

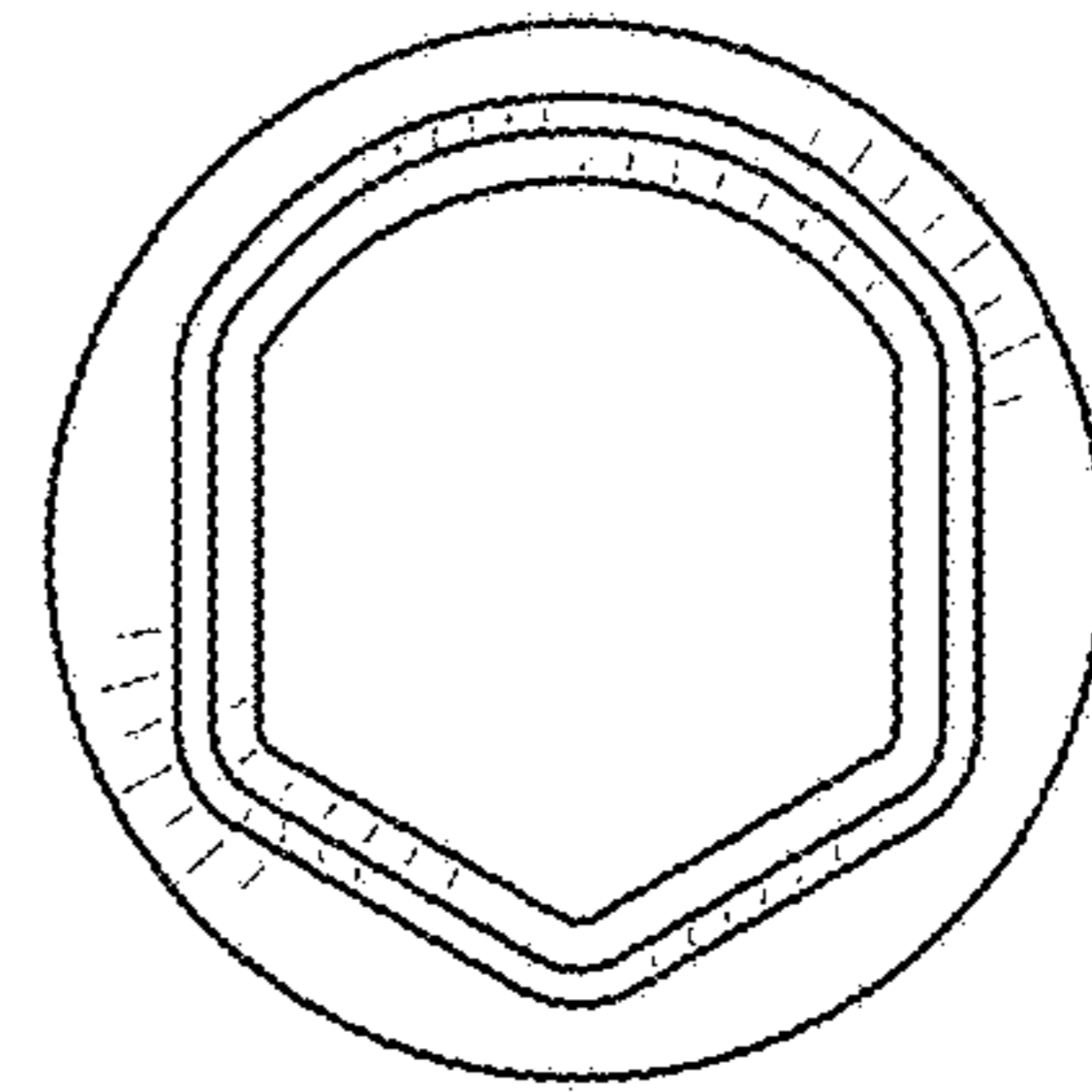


FIG. 5

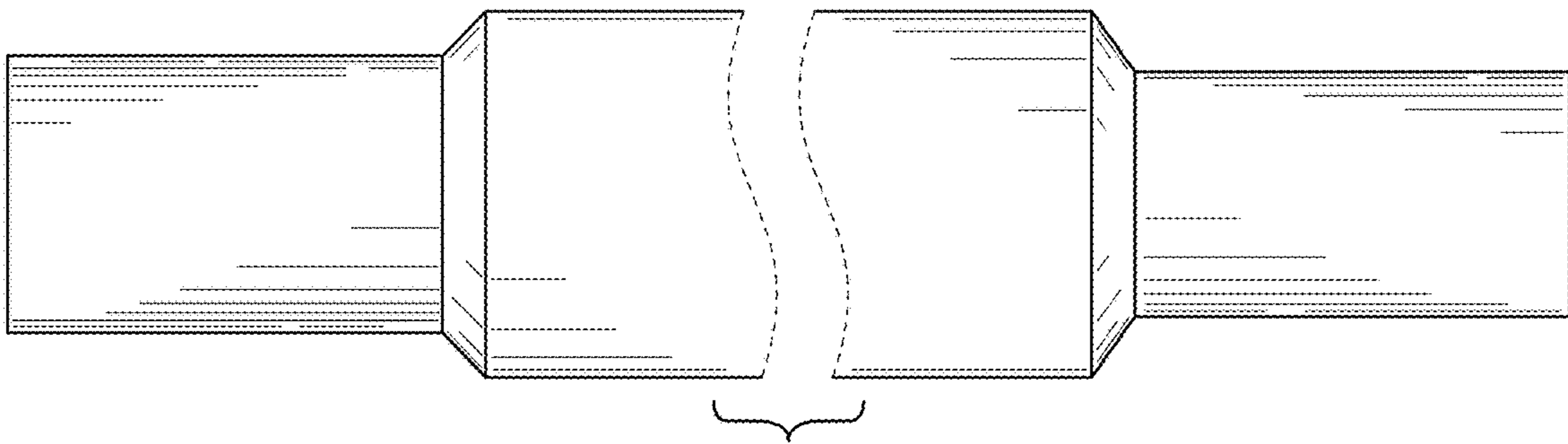


FIG. 6

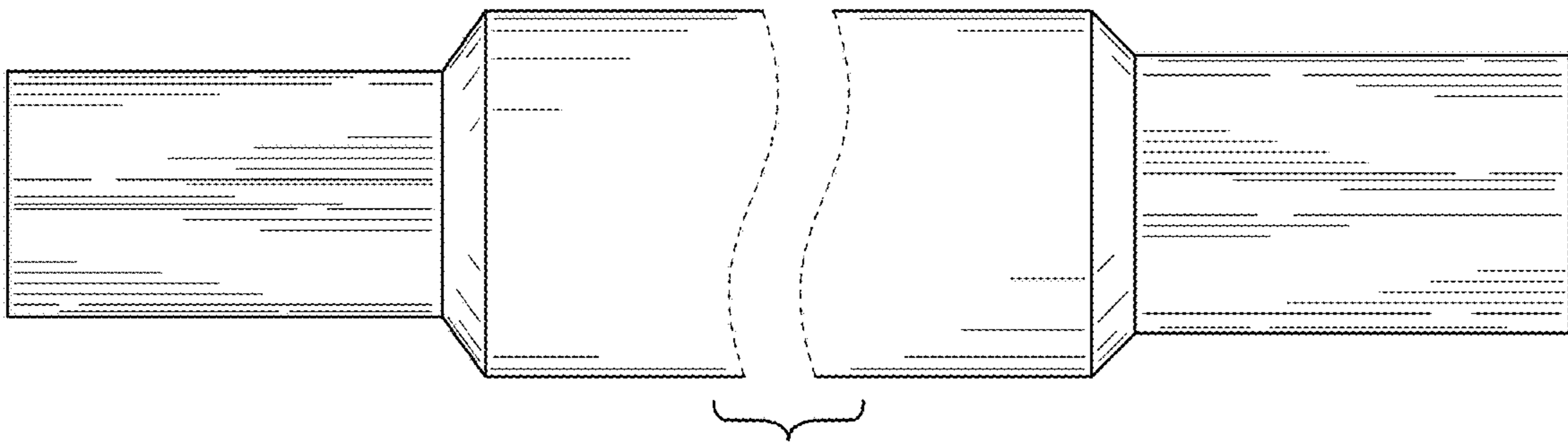


FIG. 7