



US00D788241S

(12) **United States Design Patent**
Ho et al.

(10) **Patent No.:** **US D788,241 S**
(45) **Date of Patent:** **** May 30, 2017**

- (54) **TRAMPOLINE**
- (71) Applicants: **Wei-Teh Ho**, Taipei (TW); **Willy Wei Yu Ho**, Taipei (TW)
- (72) Inventors: **Wei-Teh Ho**, Taipei (TW); **Willy Wei Yu Ho**, Taipei (TW)
- (**) Term: **15 Years**
- (21) Appl. No.: **29/550,567**
- (22) Filed: **Jan. 5, 2016**
- (51) **LOC (10) Cl.** **21-02**
- (52) **U.S. Cl.**
USPC **D21/797**
- (58) **Field of Classification Search**
USPC D21/797, 668, 669, 834, 826, 671, 672;
D6/716; 482/27, 35, 29, 112, 33, 110,
482/148, 28, 77, 147, 51; 297/452.18;
135/96, 117; D30/112; D25/1, 16, 22,
D25/56; 446/220; 473/469; 182/139,
182/224; 273/395, 402
CPC A63B 5/11; A63B 21/023; A63B 2208/12;
A63B 71/022; A63B 2210/50
See application file for complete search history.

- 5,007,638 A * 4/1991 Yukl A63B 69/0097
273/395
- 5,399,132 A * 3/1995 Bailey A63B 5/11
160/135
- 5,545,110 A * 8/1996 Hsiang A63B 5/11
482/27
- 5,613,922 A * 3/1997 Hsiang A63B 69/0097
108/8
- 6,001,045 A * 12/1999 Gift A63B 5/11
482/27
- 6,036,620 A * 3/2000 Yang A63B 5/11
482/27
- 6,155,495 A * 12/2000 Jones A63B 5/11
239/289
- D504,711 S * 5/2005 Hsiung D21/797
- 7,494,445 B1 * 2/2009 Chen A63B 5/11
482/27
- 7,794,360 B2 * 9/2010 Publicover A63B 5/11
482/27
- D633,162 S * 2/2011 Campanaro D21/797
- D661,360 S * 6/2012 Campanaro D21/797

(Continued)

Primary Examiner — Robert M Spear
Assistant Examiner — Ryan Harvey
(74) *Attorney, Agent, or Firm* — Blakely, Sokoloff, Taylor & Zafman LLP

(57) **CLAIM**

The ornamental design for an trampoline, as shown and described.

(56) **References Cited**

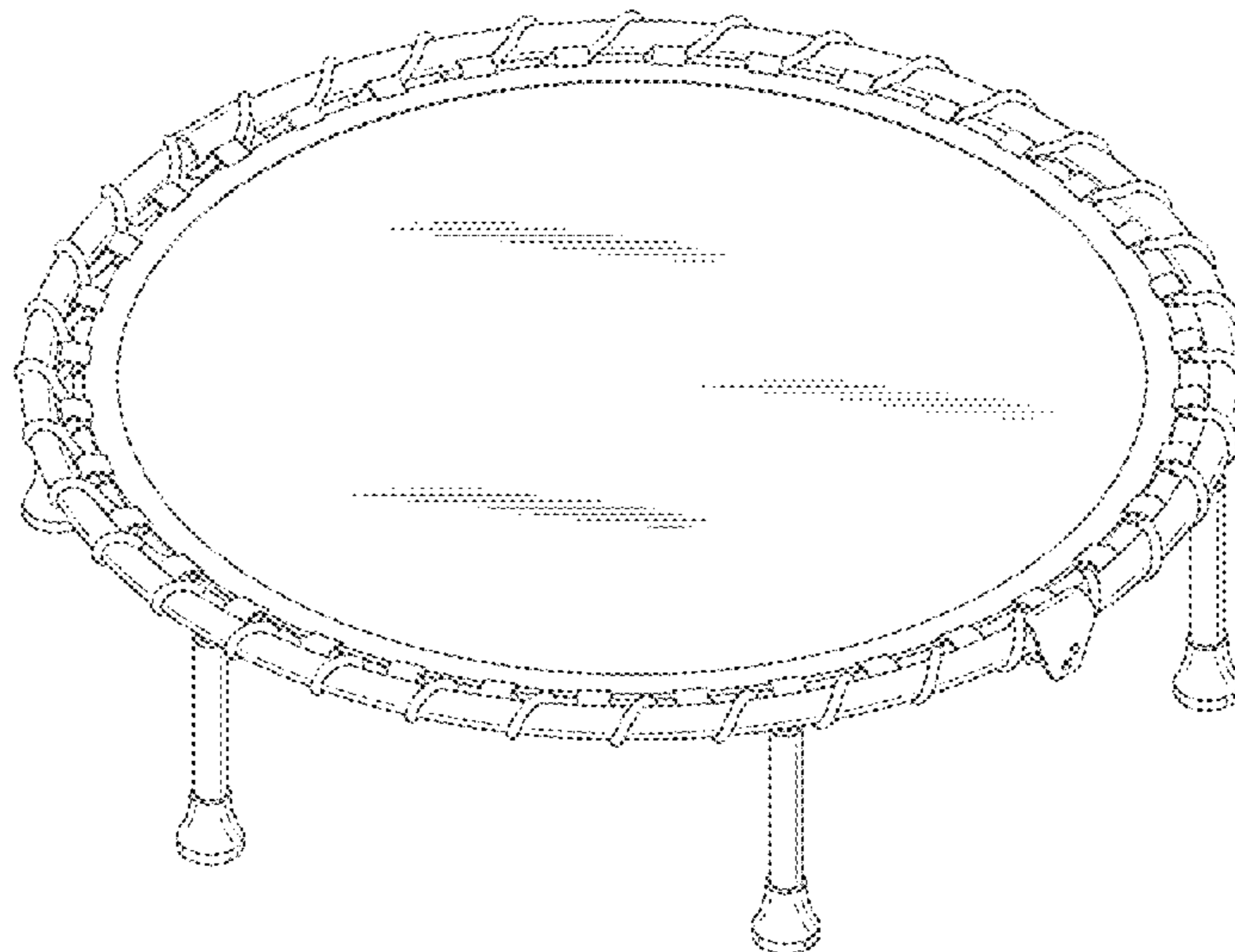
U.S. PATENT DOCUMENTS

- 3,948,515 A * 4/1976 McNeil A63B 5/11
482/27
- 4,139,192 A * 2/1979 McNeil A63B 5/11
403/293
- RE30,344 E * 7/1980 McNeil A63B 5/11
182/139
- D270,557 S * 9/1983 Williams D21/797
- 4,483,531 A * 11/1984 Laseman A63B 5/11
482/27
- 4,489,933 A * 12/1984 Fisher A63B 5/11
482/147
- D287,909 S * 1/1987 Weiss D21/797

DESCRIPTION

FIG. 1 is a perspective view showing the new design for an EZ abs exerciser;
FIG. 2 is a front view thereof;
FIG. 3 is a rear view thereof;
FIG. 4 is a right view thereof;
FIG. 5 is a left view thereof;
FIG. 6 is a top view thereof; and,
FIG. 7 is a bottom view thereof.

1 Claim, 5 Drawing Sheets



(56)

References Cited

U.S. PATENT DOCUMENTS

D680,609 S * 4/2013 Publicover D21/797
 D716,574 S * 11/2014 Akkad D6/368
 D720,550 S * 1/2015 Akkad D6/368
 D737,587 S * 9/2015 Akkad D6/368
 D758,515 S * 6/2016 Tsai D21/797
 2002/0160884 A1* 10/2002 Hall A63B 5/11
 482/23
 2002/0183128 A1* 12/2002 Cho A63B 63/00
 473/197
 2003/0060309 A1* 3/2003 Smith, IV A63B 69/0002
 473/431
 2005/0113213 A1* 5/2005 Alexander A63B 5/11
 482/27
 2005/0137061 A1* 6/2005 Wang A63B 5/11
 482/28
 2005/0148433 A1* 7/2005 Wang A63B 5/11
 482/27

2005/0227812 A1* 10/2005 James A63B 5/11
 482/27
 2006/0189442 A1* 8/2006 Publicover A63B 5/11
 482/27
 2009/0280961 A1* 11/2009 Ikegami A63B 5/11
 482/27
 2011/0021322 A1* 1/2011 Schaffer A63B 5/11
 482/29
 2011/0034300 A1* 2/2011 Hall A63B 5/11
 482/1
 2013/0210590 A1* 8/2013 Publicover A63B 5/11
 482/110
 2014/0051550 A1* 2/2014 Chen A63B 5/11
 482/27
 2014/0315691 A1* 10/2014 Turner A63B 26/003
 482/27
 2014/0342880 A1* 11/2014 Nelson A63B 5/11
 482/27
 2015/0080186 A1* 3/2015 Carlin A63B 5/11
 482/27

* cited by examiner

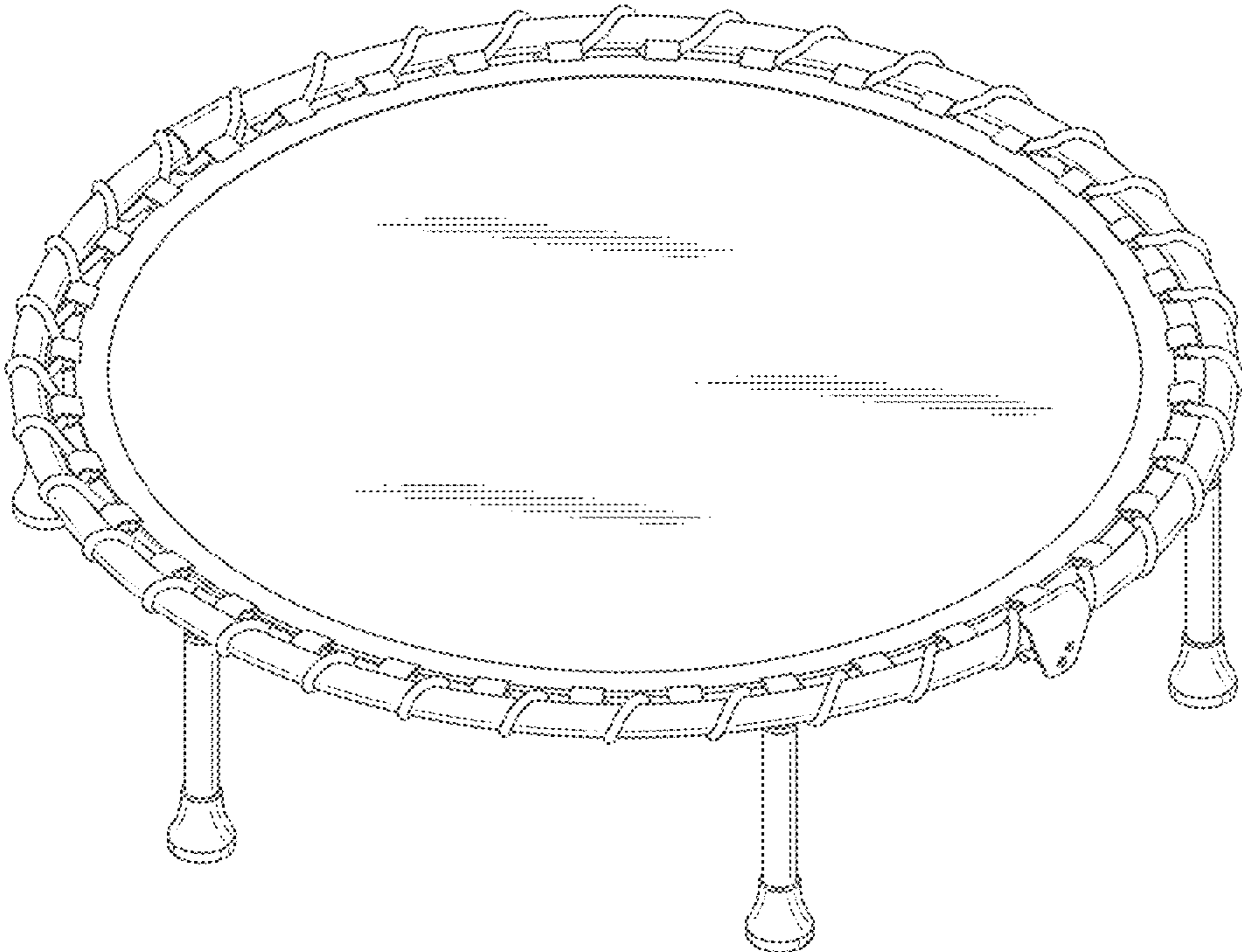


FIG. 1

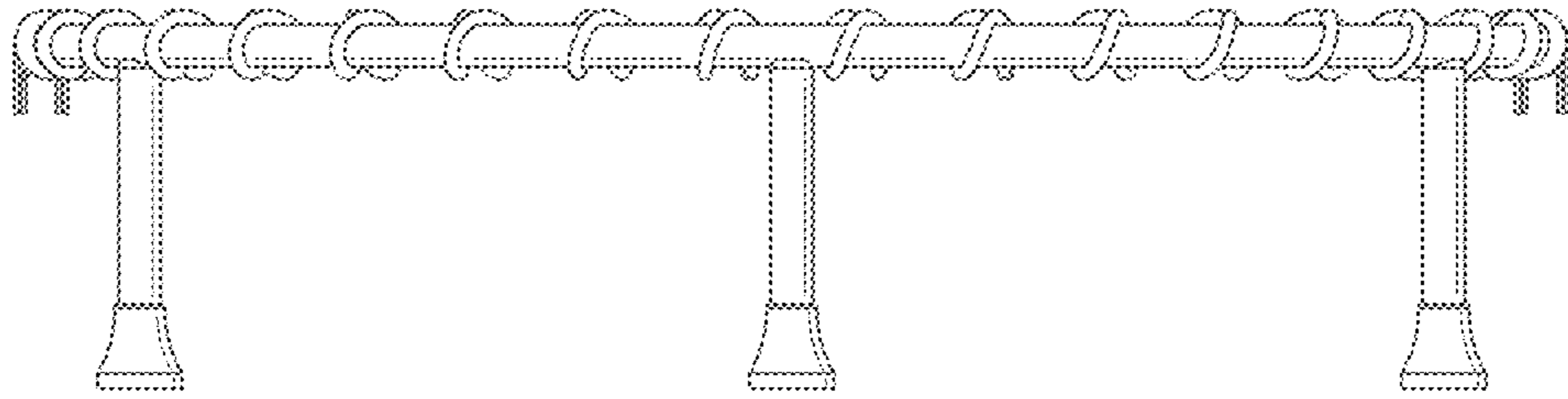


FIG. 2

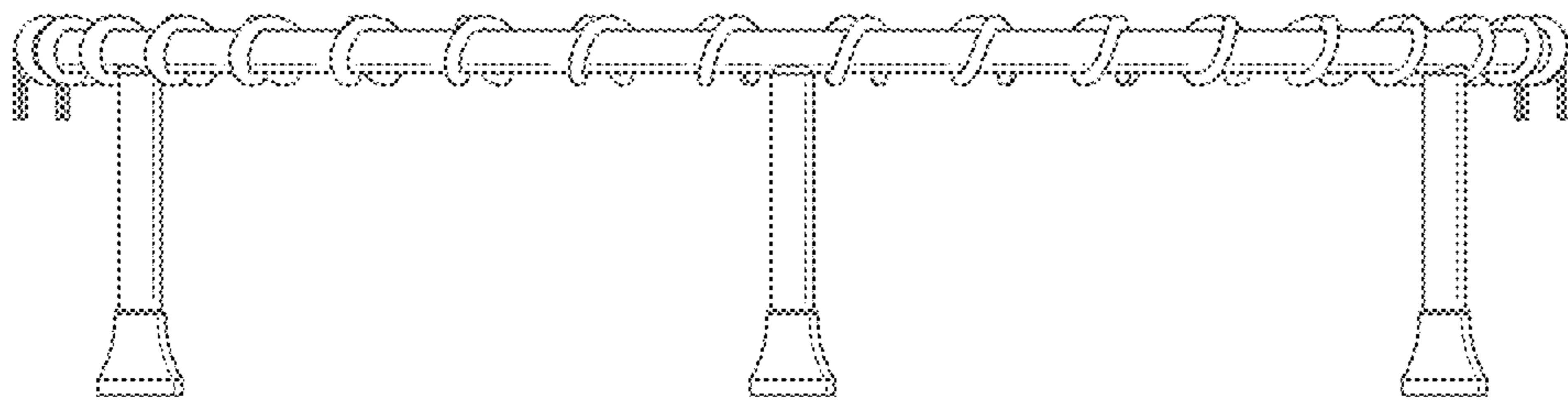


FIG. 3

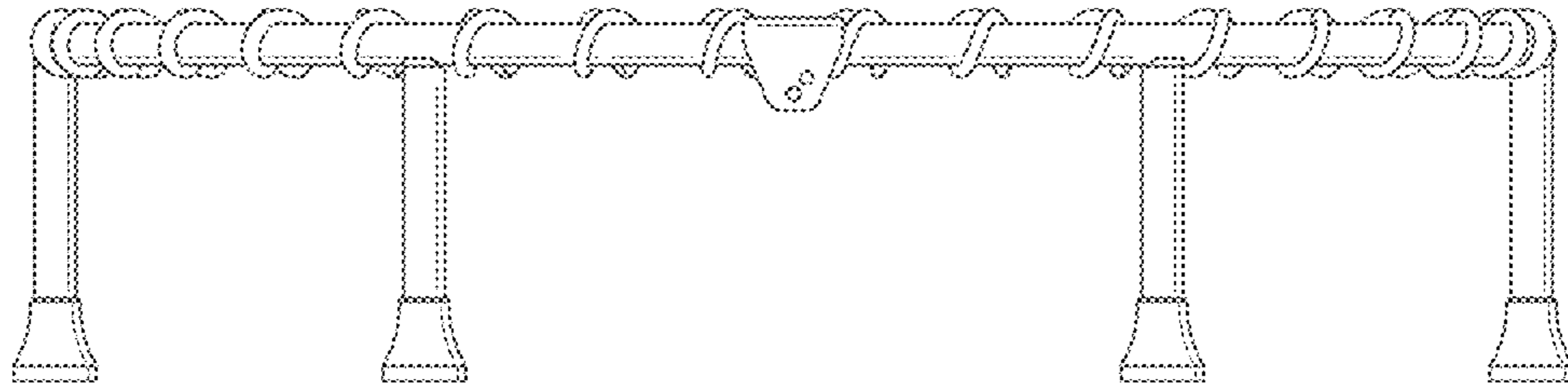


FIG. 4

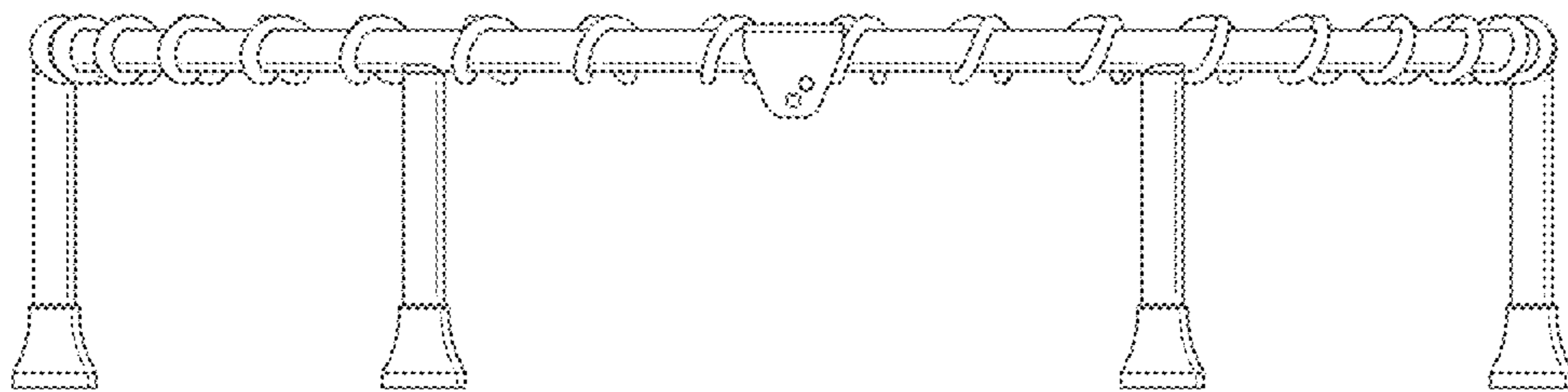


FIG. 5

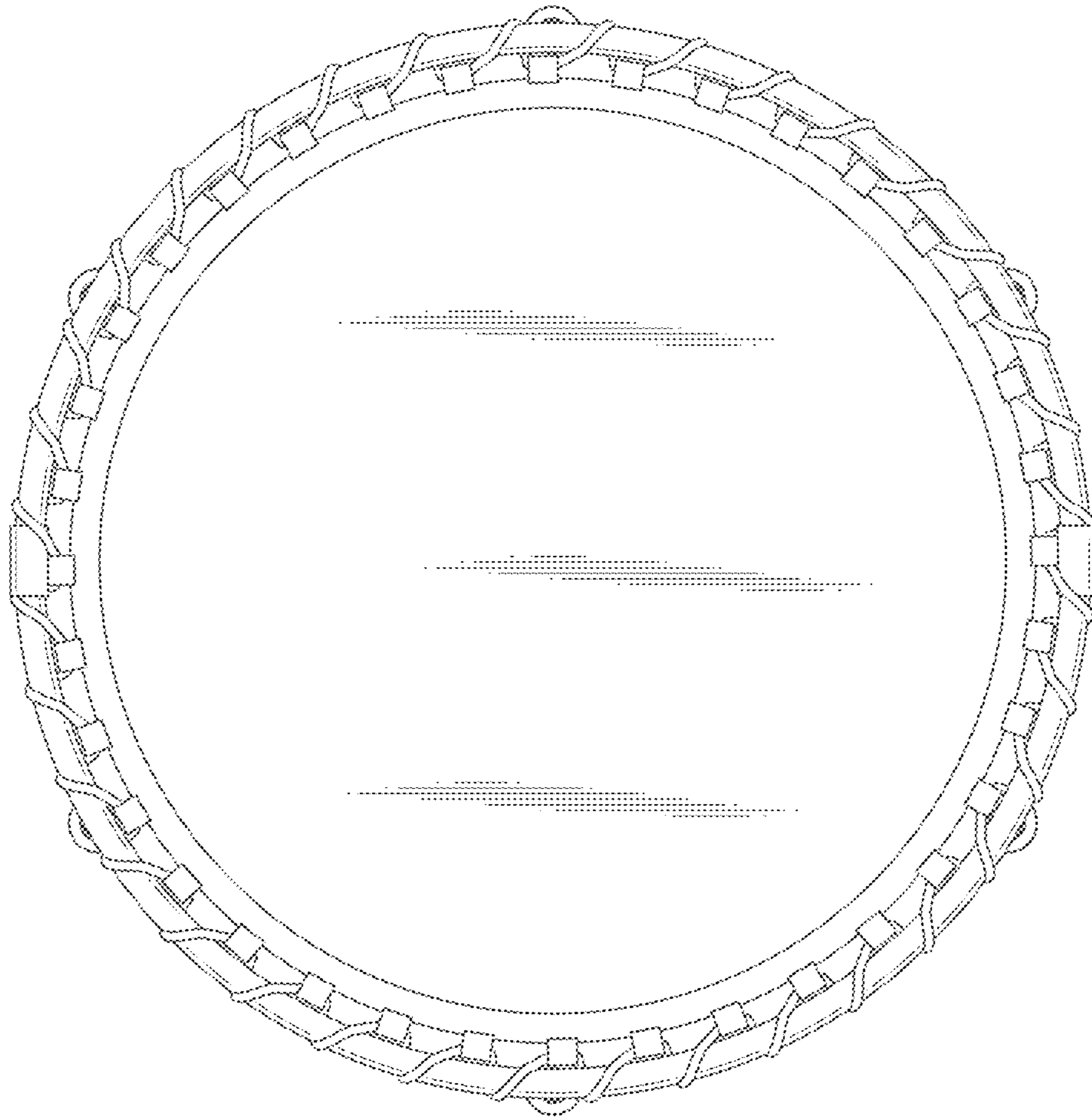


FIG. 6

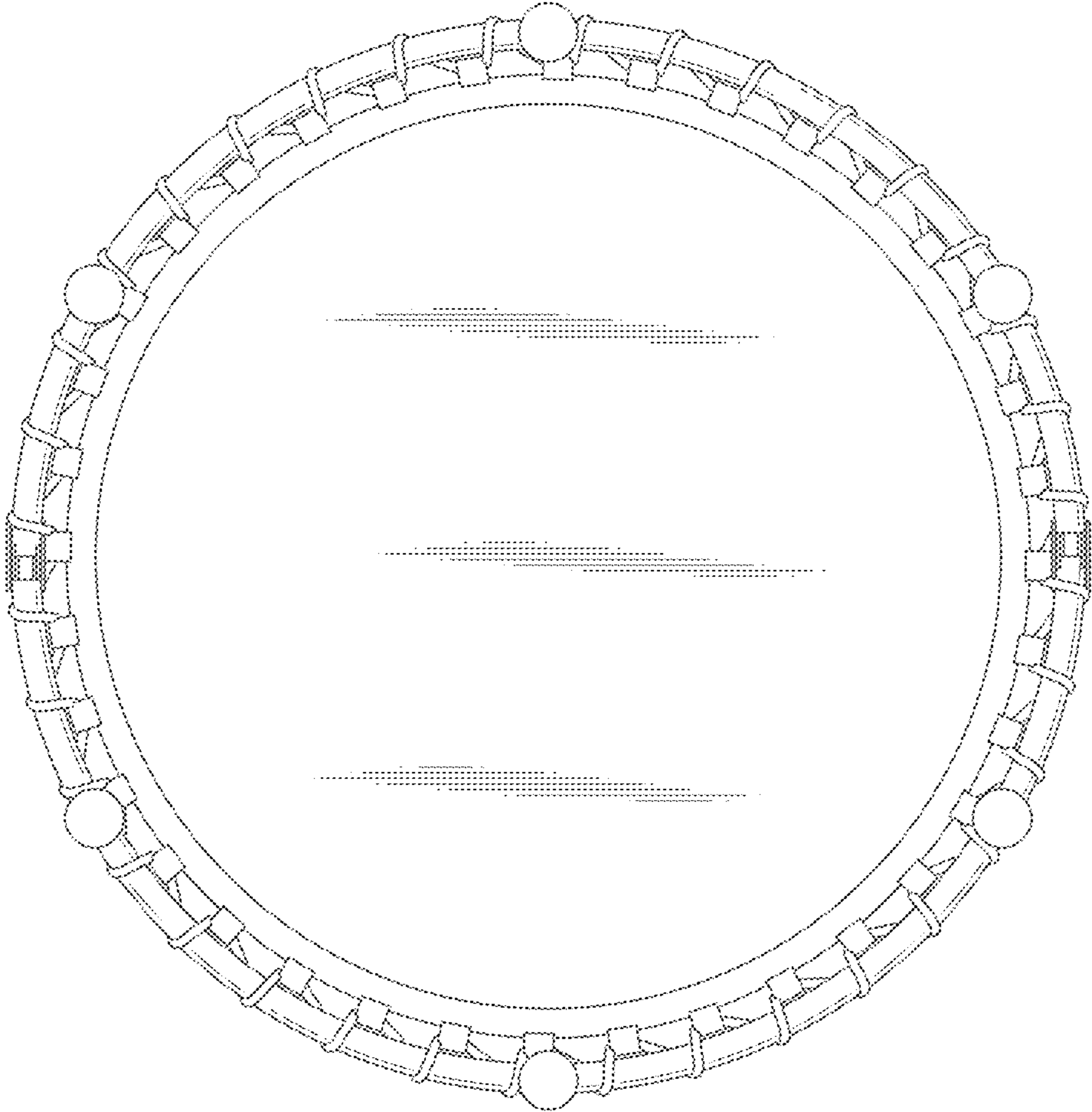


FIG. 7