



US00D788240S

(12) **United States Design Patent**  
**Ho et al.**

(10) **Patent No.:** **US D788,240 S**  
(45) **Date of Patent:** **\*\* May 30, 2017**

(54) **MULTI-LEVEL TRAMPOLINE EXERCISER**

(71) Applicants: **Wei-Teh Ho**, Taipei (TW); **Willy Ho**, Taipei (TW)

(72) Inventors: **Wei-Teh Ho**, Taipei (TW); **Willy Ho**, Taipei (TW)

(\*\*) Term: **15 Years**

(21) Appl. No.: **29/529,829**

(22) Filed: **Jun. 10, 2015**

(51) **LOC (10) Cl.** ..... **21-02**

(52) **U.S. Cl.**  
USPC ..... **D21/797**

(58) **Field of Classification Search**  
USPC ..... D21/797, 668, 669, 834, 826; D6/716; 482/27, 35, 29, 112, 33, 110, 148, 28, 77, 482/147, 51; 297/452.18; 135/96, 117; D30/112; D25/1, 16, 22, 56; 446/220; 473/469; 182/139, 224; 273/395, 402  
CPC ..... A63B 5/11; A63B 21/023; A63B 2208/12; A63B 71/022; A63B 2210/50  
See application file for complete search history.

3,339,925 A \* 9/1967 Nissen ..... A63B 5/11 182/137

3,561,564 A \* 2/1971 Russell ..... A63B 5/11 182/139

4,477,070 A \* 10/1984 Appelbaum ..... A63B 69/0035 482/28

4,730,826 A \* 3/1988 Sudmeier ..... A63B 5/11 482/28

4,824,100 A \* 4/1989 Hall ..... A63B 5/11 482/28

D304,850 S \* 11/1989 Chambers ..... D21/669

4,900,011 A \* 2/1990 Nolet ..... A47D 13/063 482/29

5,674,157 A \* 10/1997 Wilkinson ..... A63B 5/11 482/27

5,772,537 A \* 6/1998 Anderson ..... A63B 69/0097 273/396

5,857,679 A \* 1/1999 Ringe ..... A63B 69/0097 273/395

D496,422 S \* 9/2004 Rota ..... D21/780

(Continued)

*Primary Examiner* — Robert M Spear  
*Assistant Examiner* — Ryan Harvey  
(74) *Attorney, Agent, or Firm* — Blakely, Sokoloff, Taylor & Zafman LLP

(56) **References Cited**

U.S. PATENT DOCUMENTS

2,430,714 A \* 11/1947 Geer ..... A62B 1/22 160/351

2,770,812 A \* 11/1956 Whiteside ..... A47C 1/14 160/378

2,858,551 A \* 11/1958 Sidlinger ..... A63B 5/11 108/158.11

3,004,623 A \* 10/1961 Nissen ..... A63B 5/11 182/139

3,201,126 A \* 8/1965 Nissen ..... A63B 5/11 182/139

3,256,021 A \* 6/1966 Nissen ..... A63B 5/11 182/139

3,312,471 A \* 4/1967 Nissen ..... A63B 5/11 182/139

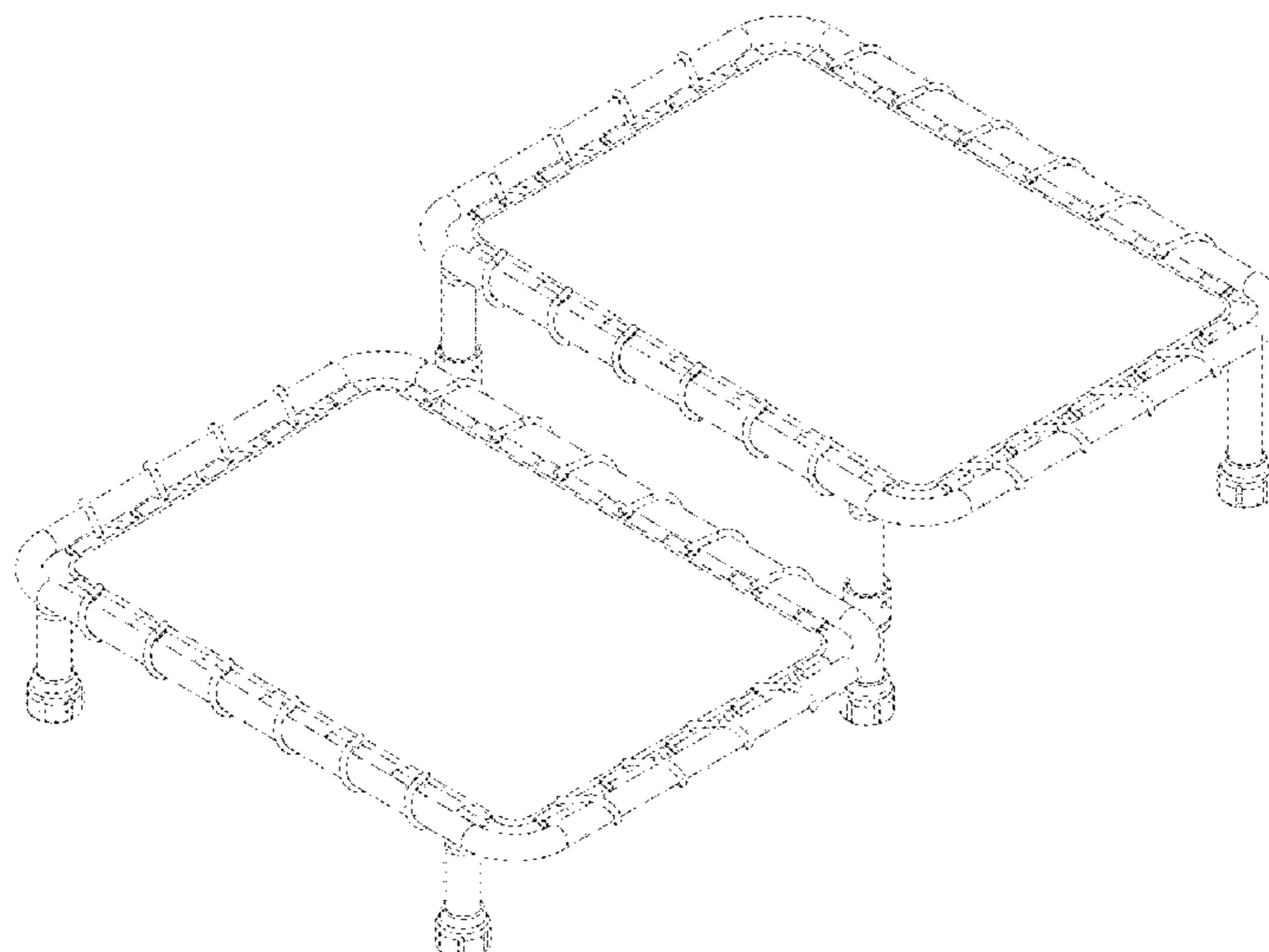
(57) **CLAIM**

The ornamental design for a multi-level trampoline exerciser, as shown and described.

**DESCRIPTION**

FIG. 1 is a perspective view showing the new design for a multi-level trampoline exerciser;  
FIG. 2 is a front view thereof;  
FIG. 3 is a rear view thereof;  
FIG. 4 is a right view thereof;  
FIG. 5 is a left view thereof;  
FIG. 6 is a top view thereof; and,  
FIG. 7 is a bottom view thereof.

**1 Claim, 7 Drawing Sheets**



(56)

**References Cited**

U.S. PATENT DOCUMENTS

7,264,245 B2 \* 9/2007 Cho ..... A63B 69/0097  
273/396  
D712,185 S \* 9/2014 Akkad ..... D6/716  
D742,467 S \* 11/2015 Giorgi ..... D21/797  
9,227,126 B2 \* 1/2016 Christgau ..... A63B 69/0097  
9,302,135 B1 \* 4/2016 Dallmann ..... A63B 5/11  
2003/0236139 A1 \* 12/2003 Jensen ..... A63B 69/0002  
473/434  
2006/0116243 A1 \* 6/2006 Wyman ..... A63B 5/11  
482/27  
2006/0172861 A1 \* 8/2006 Wang ..... A63B 5/11  
482/27  
2006/0223676 A1 \* 10/2006 Rote ..... A63B 5/11  
482/27  
2013/0303312 A1 \* 11/2013 DeBolt ..... A63B 69/00  
473/446  
2016/0303422 A1 \* 10/2016 Douglass ..... A63B 21/4033  
2016/0303423 A1 \* 10/2016 Douglass ..... A63B 5/11

\* cited by examiner

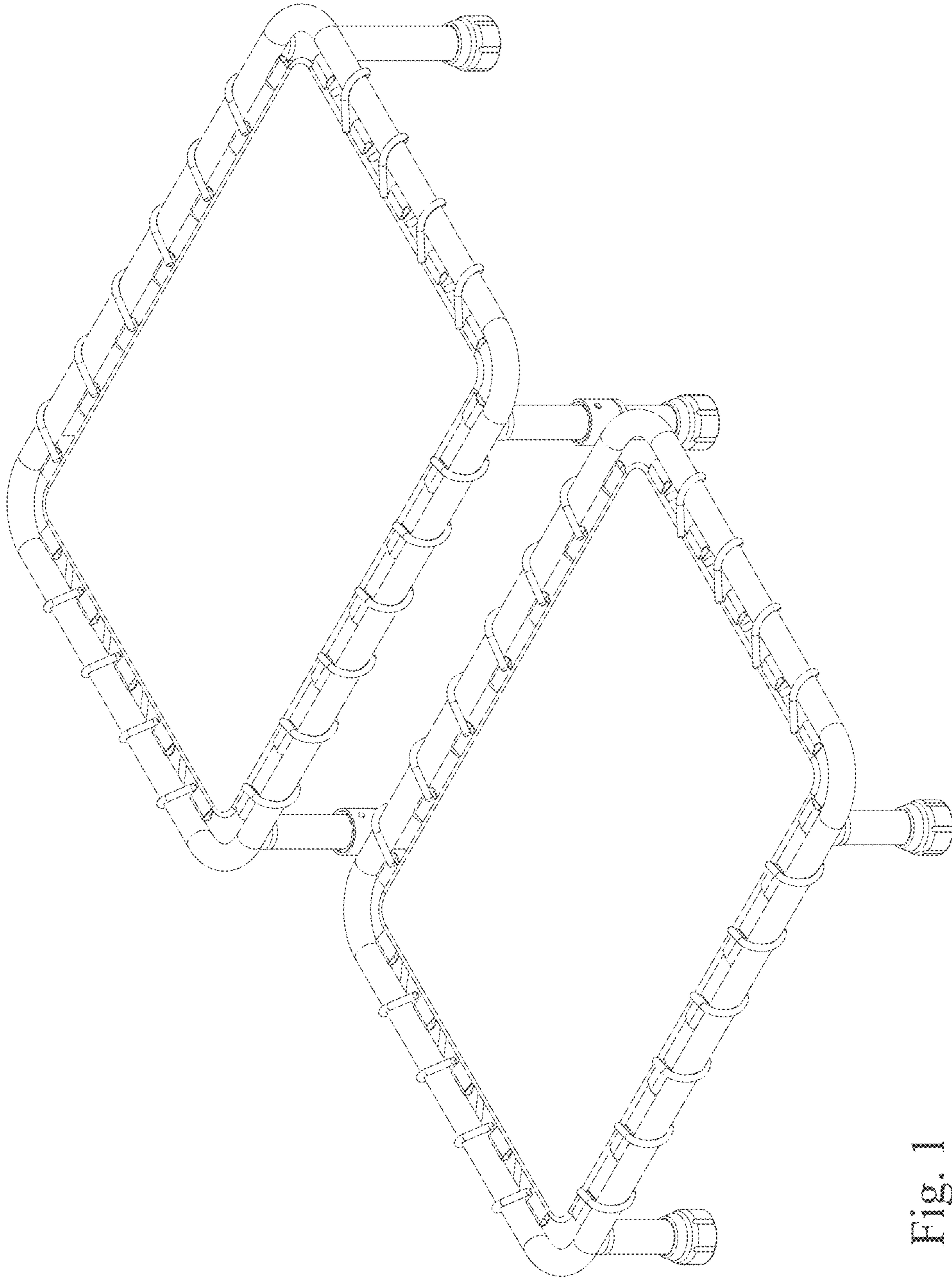


Fig. 1

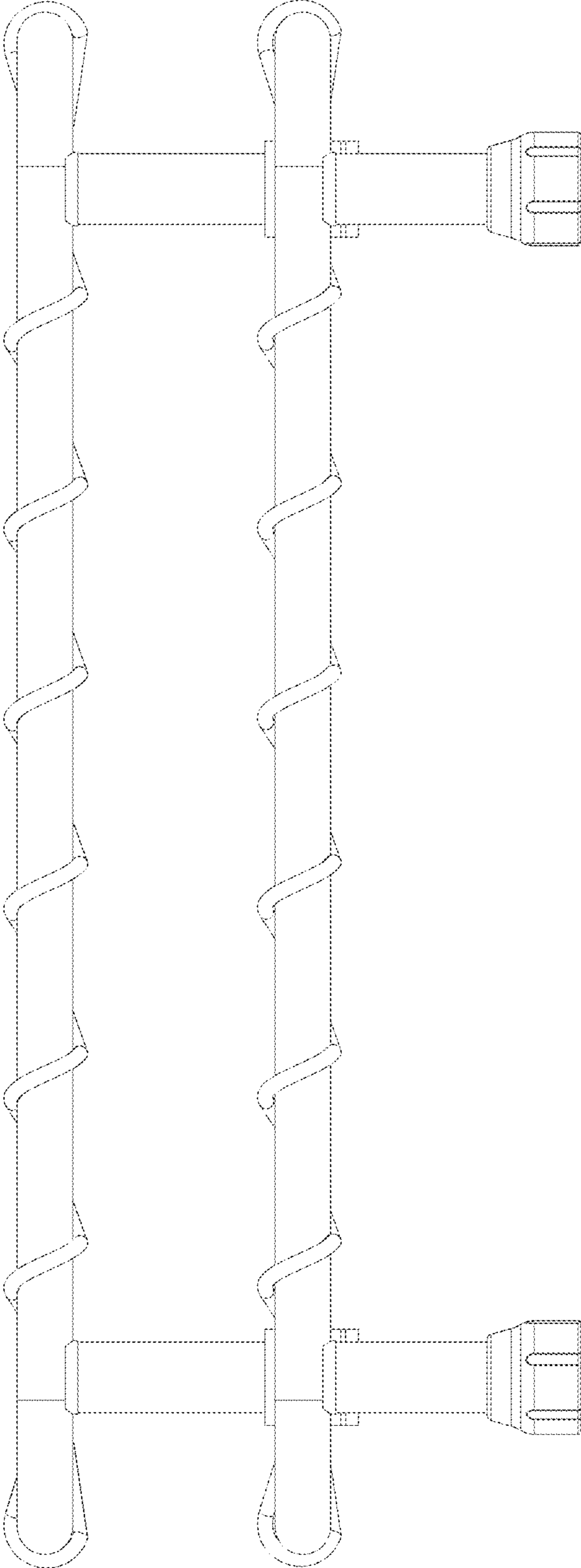


Fig. 2

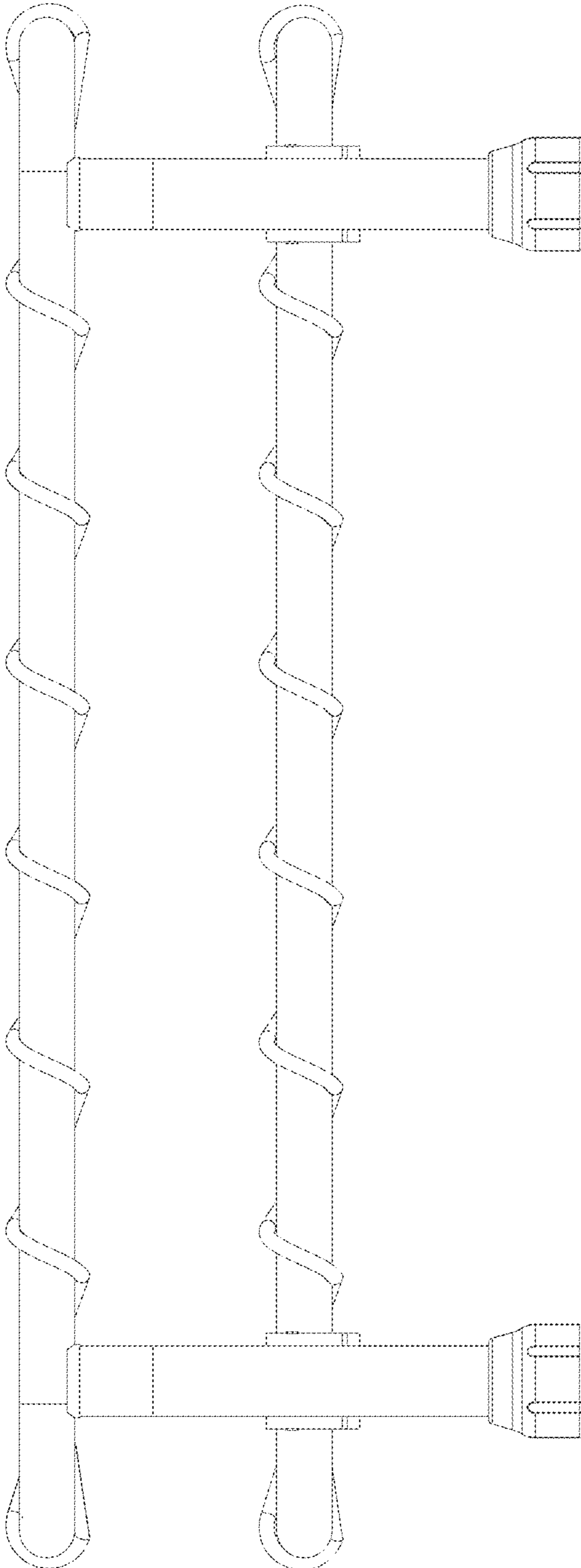


Fig. 3

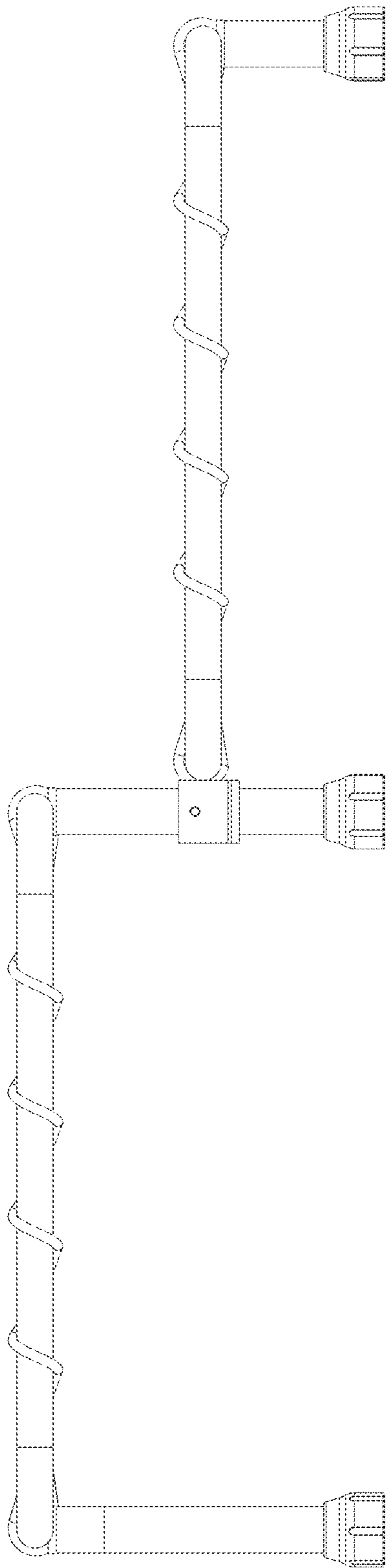


Fig. 4



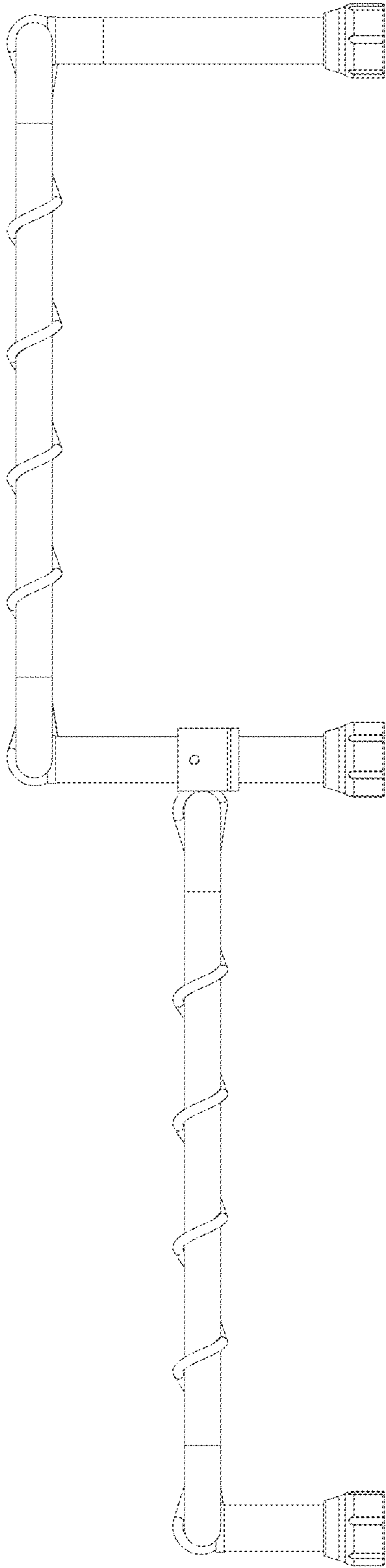


Fig. 5

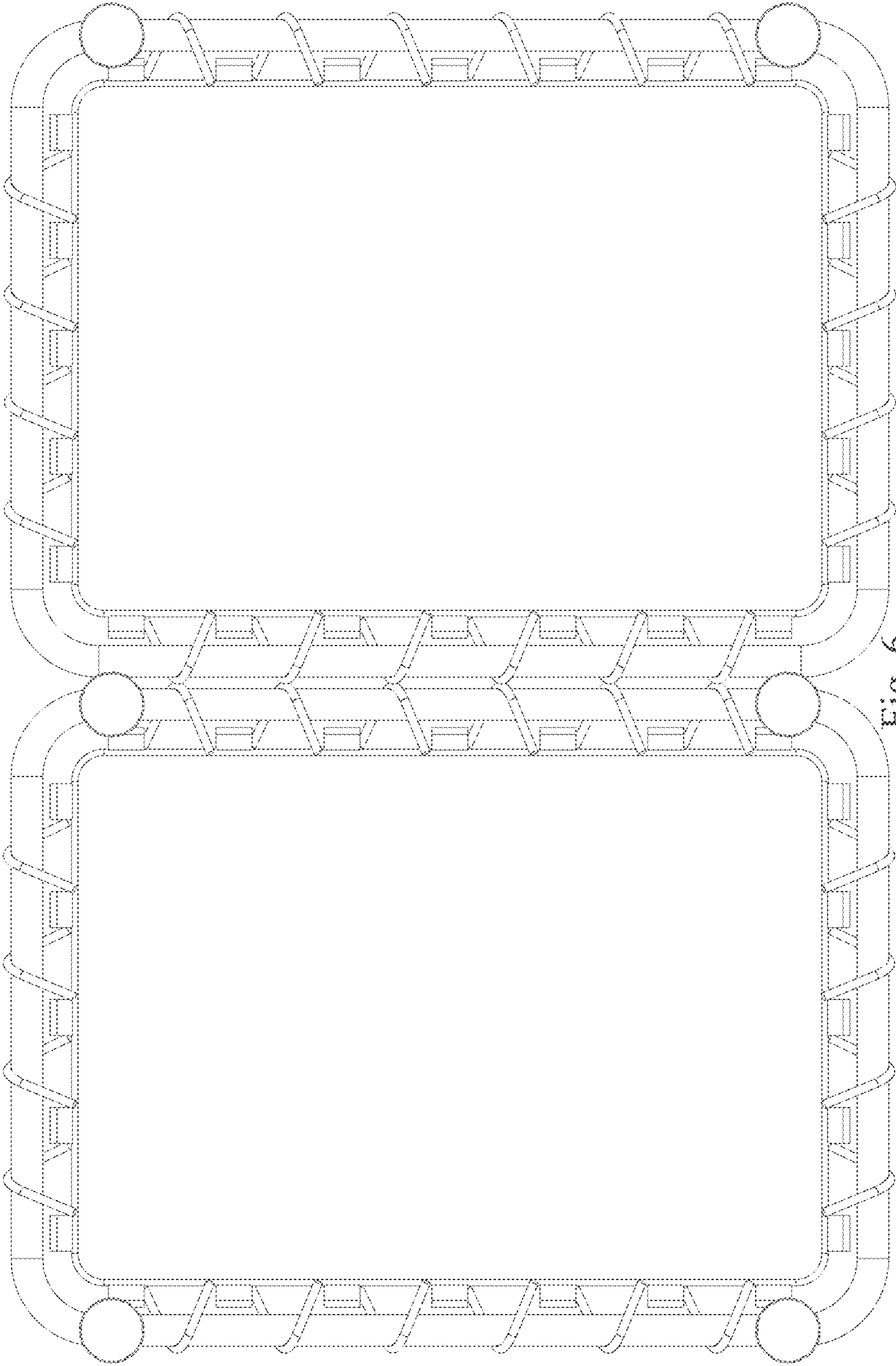


Fig. 6



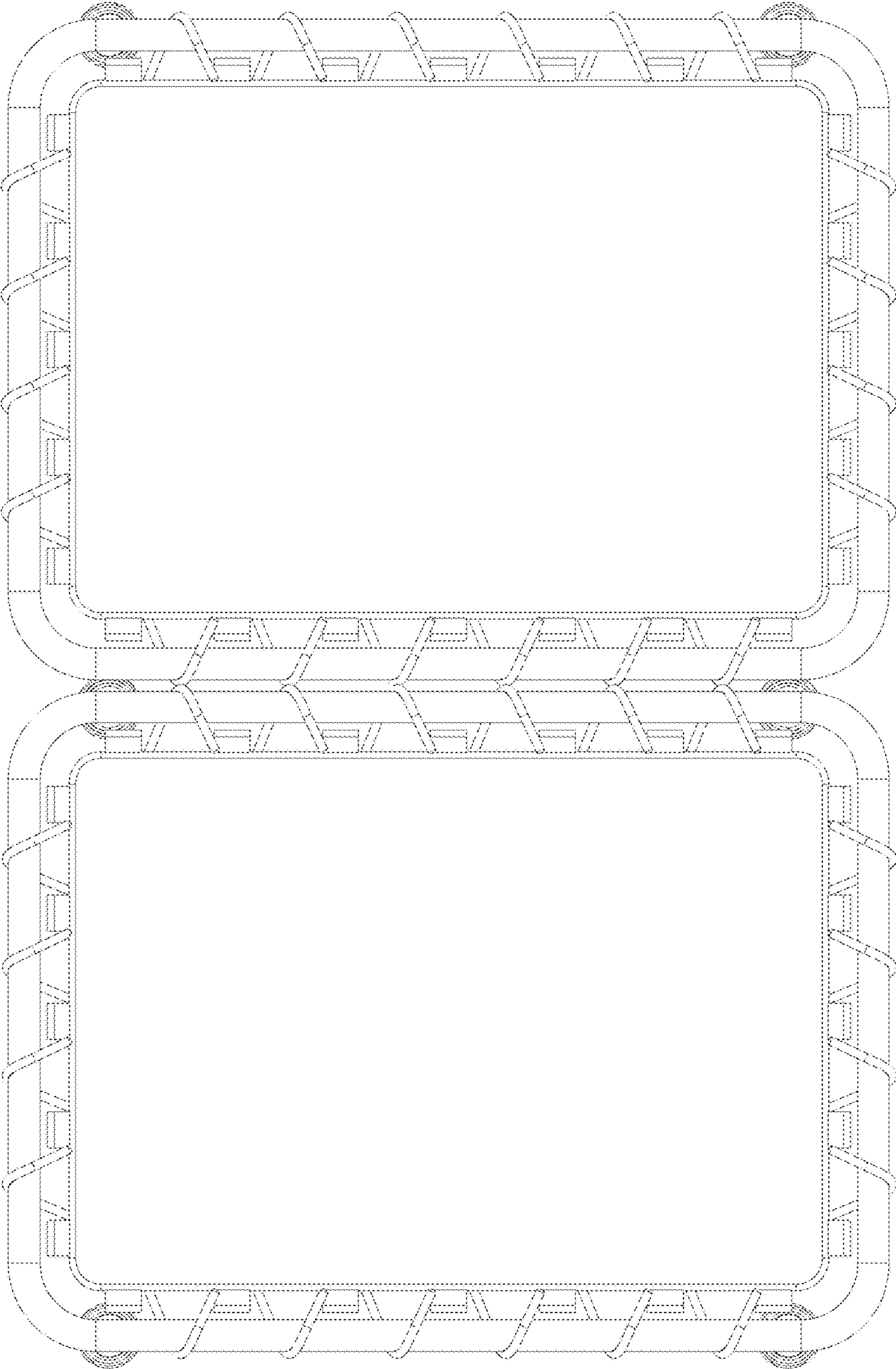


Fig. 7