



US00D788239S

(12) **United States Design Patent** (10) **Patent No.:** **US D788,239 S**
Kim (45) **Date of Patent:** **** May 30, 2017**

(54) **GOLF CLUB HEAD**
(71) Applicant: **CALLAWAY GOLF COMPANY,**
Carlsbad, CA (US)
(72) Inventor: **Wee Joung Kim,** Vista, CA (US)
(73) Assignee: **Callaway Golf Company,** Carlsbad,
CA (US)
(**) Term: **15 Years**
(21) Appl. No.: **29/563,262**
(22) Filed: **May 3, 2016**
(51) **LOC (10) Cl.** **21-02**
(52) **U.S. Cl.**
USPC **D21/759**
(58) **Field of Classification Search**
USPC D21/733, 752, 759
CPC A63B 53/04; A63B 53/0466; A63B
2053/002; A63B 2053/0445; A63B
2053/0433; A63B 2053/0437; A63B
53/0491
See application file for complete search history.

D561,284 S * 2/2008 Nagai D21/759
D571,882 S * 6/2008 Soracco D21/752
D592,721 S * 5/2009 Foster D21/752
D594,074 S * 6/2009 Foster D21/752
D618,745 S * 6/2010 Breier D21/752
D618,751 S * 6/2010 Breier D21/759
D624,979 S * 10/2010 Morris D21/752
D627,843 S * 11/2010 Kuan D21/759
D635,626 S * 4/2011 Nicolette D21/759
D663,371 S * 7/2012 Kim D21/752
D686,290 S * 7/2013 Kim D21/759
D686,291 S * 7/2013 Foster D21/759
D696,739 S * 12/2013 Stokke D21/759
D710,471 S * 8/2014 Kim D21/759
D710,472 S * 8/2014 Kim D21/759
D714,410 S * 9/2014 Myers D21/759
D726,847 S * 4/2015 Song D21/752
D726,848 S * 4/2015 Song D21/752
D726,852 S * 4/2015 Song D21/759
D726,854 S * 4/2015 Song D21/759

(Continued)

Primary Examiner — Mitchell Siegel
(74) *Attorney, Agent, or Firm* — Rebecca Hanovice;
Michael Catania; Sonia Lari

(57) **CLAIM**

The ornamental design for a golf club head, as shown and described.

DESCRIPTION

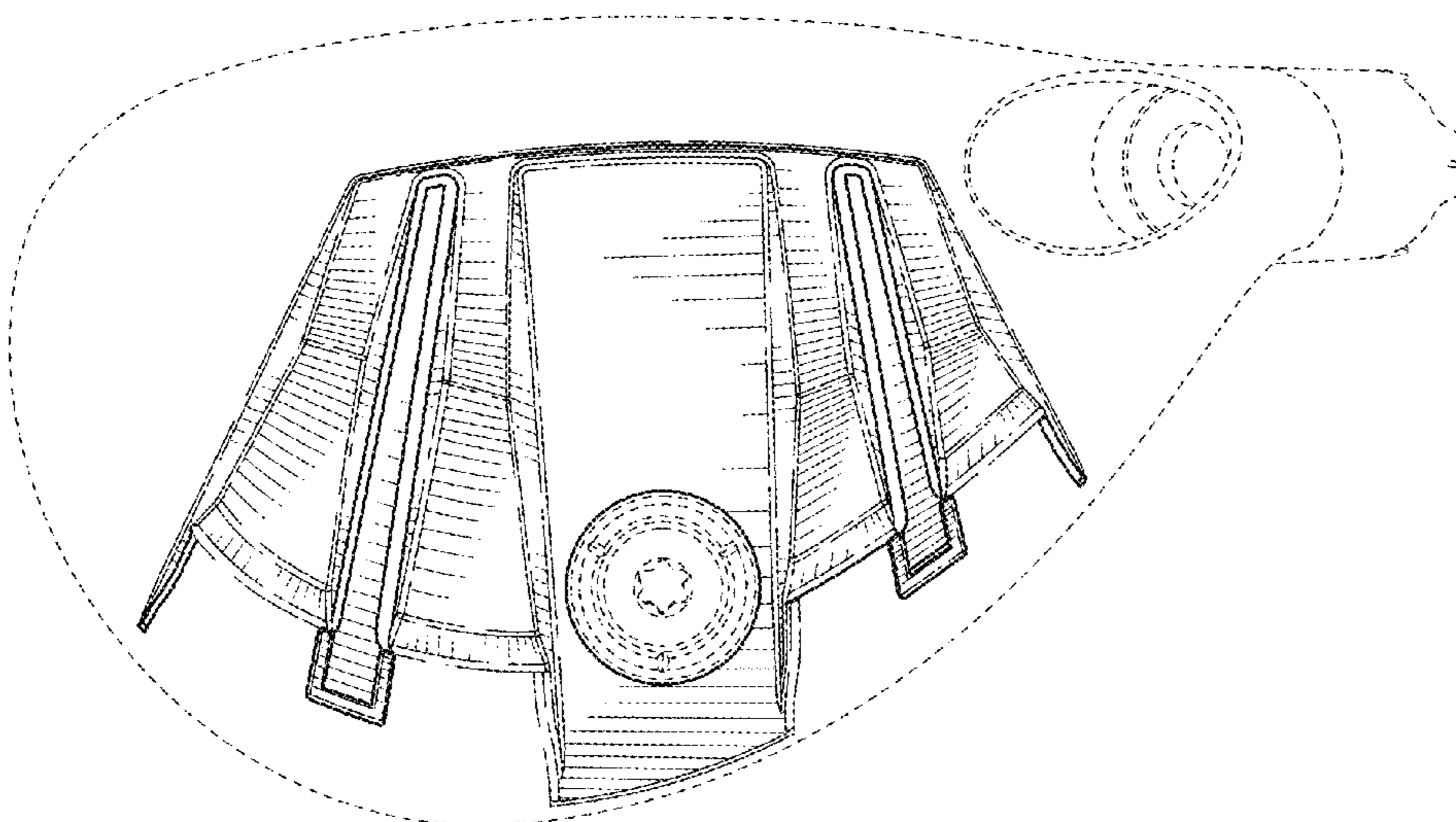
FIG. 1 is a rear perspective view of a golf club head as claimed herein;
FIG. 2 is a front elevational view thereof;
FIG. 3 is a rear elevational view thereof;
FIG. 4 is a left side perspective view thereof;
FIG. 5 is a right side perspective view thereof;
FIG. 6 is a top elevational view thereof; and,
FIG. 7 is a bottom elevational view thereof.
The broken lines are included for the purpose of illustration only and form no part of the claimed design.

1 Claim, 4 Drawing Sheets

(56) **References Cited**

U.S. PATENT DOCUMENTS

D352,983 S * 11/1994 Williams, Jr. D21/752
D366,079 S * 1/1996 Kenmi D21/752
D371,815 S * 7/1996 Kenmi D21/752
D410,057 S * 5/1999 Ortiz D21/752
D435,075 S * 12/2000 Ota D21/759
D516,651 S * 3/2006 Evans D21/752
D524,395 S * 7/2006 Madore D21/759
D524,396 S * 7/2006 Madore D21/759
D524,397 S * 7/2006 Madore D21/759
D530,761 S * 10/2006 Evans D21/752
D532,852 S * 11/2006 Tang D21/752
D534,600 S * 1/2007 Tang D21/752
D547,815 S * 7/2007 Tang D21/752



(56)

References Cited

U.S. PATENT DOCUMENTS

D733,239 S *	6/2015	Myers	D21/759
D763,995 S *	8/2016	Kim	D21/759
D763,996 S *	8/2016	Kim	D21/759
D767,065 S *	9/2016	Asazuma	D21/759

* cited by examiner

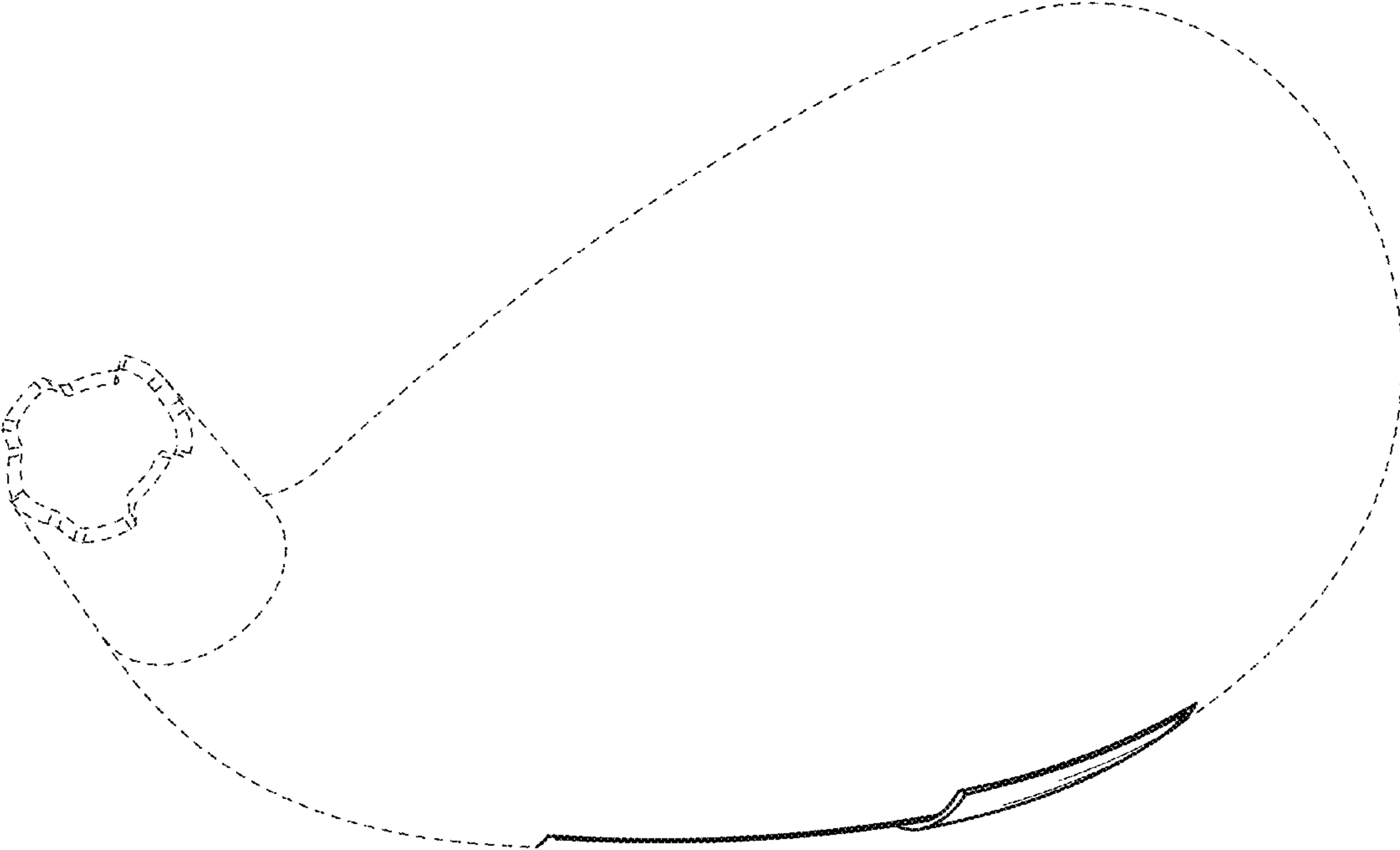


FIG. 1

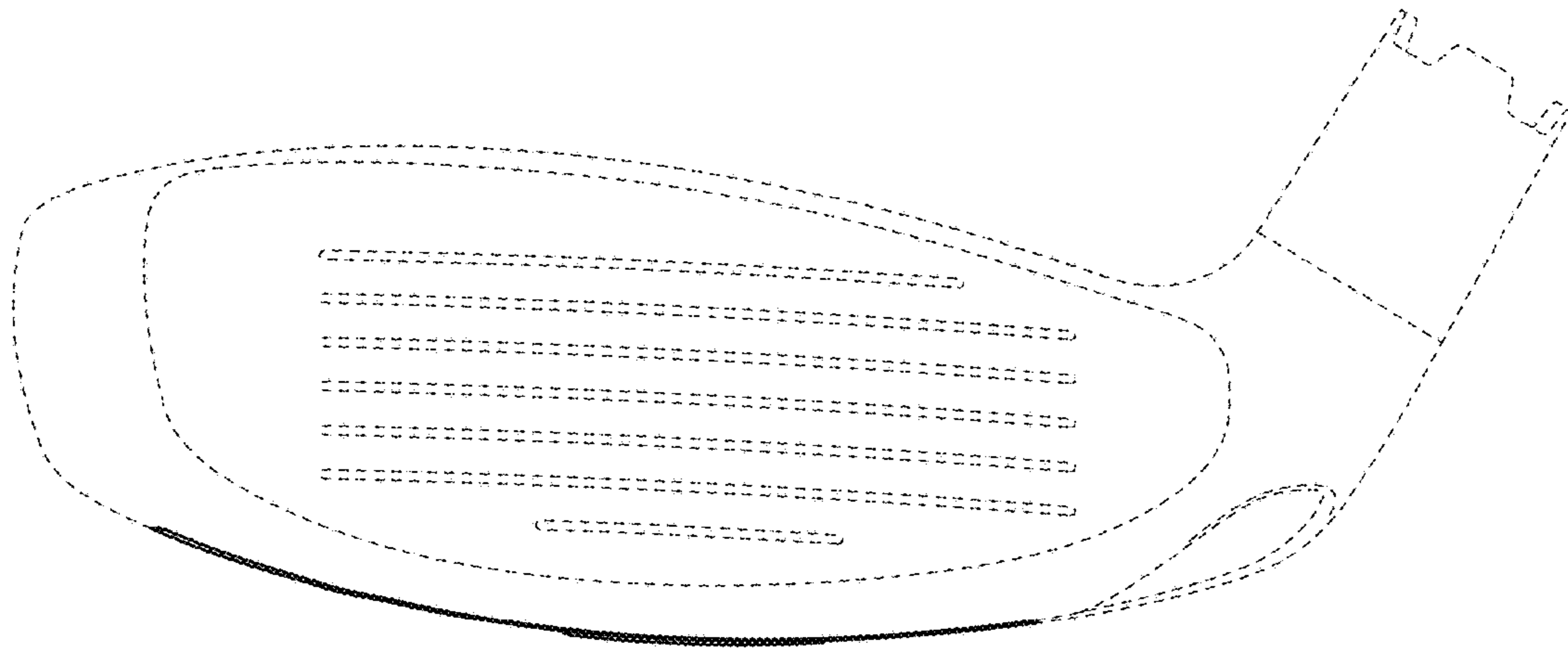


FIG. 2

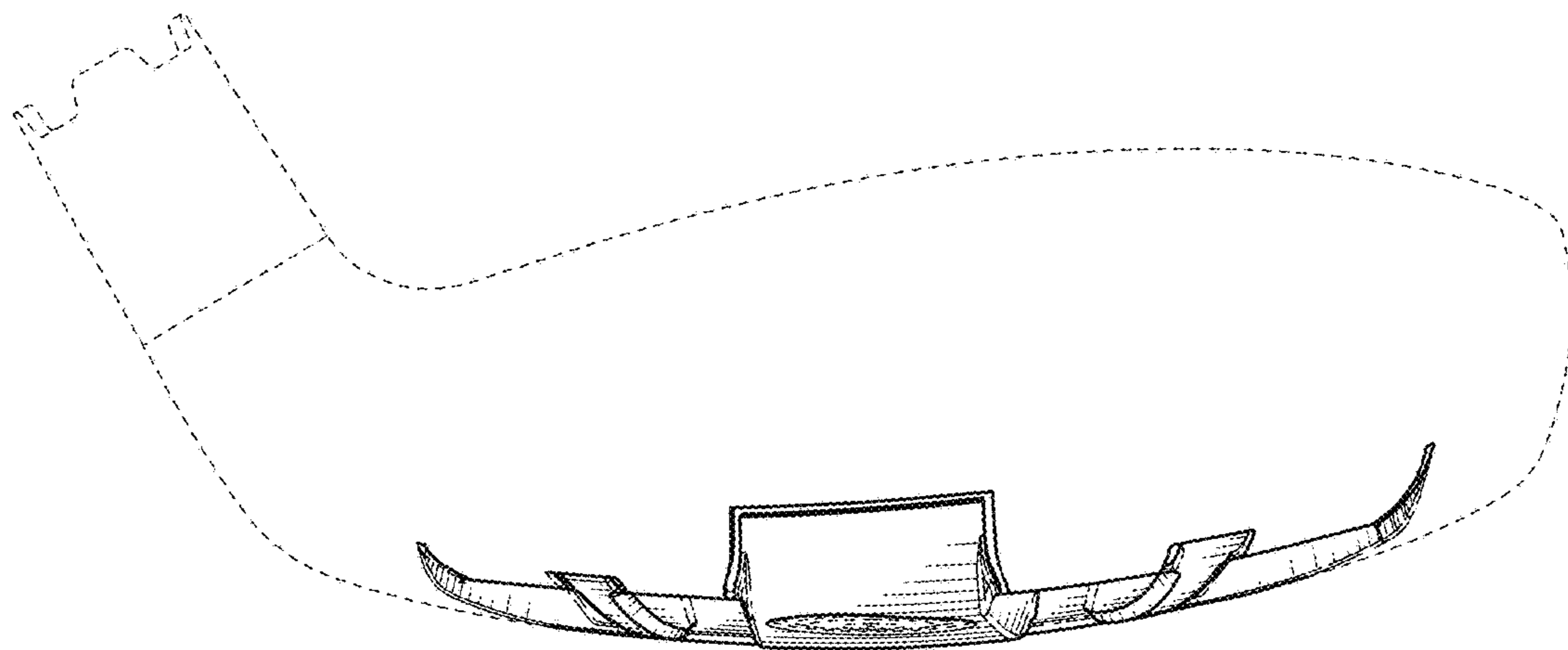


FIG. 3

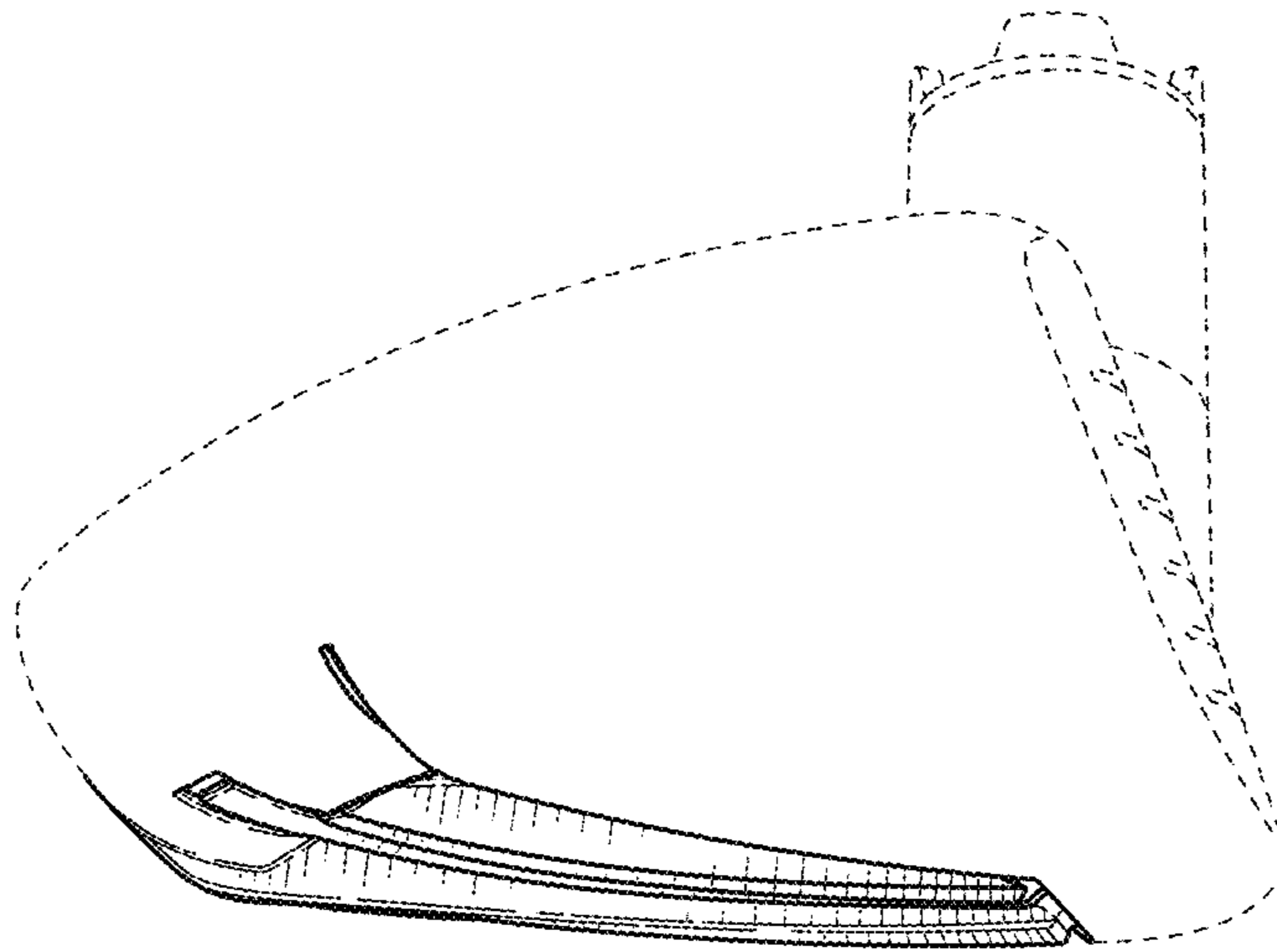


FIG. 4

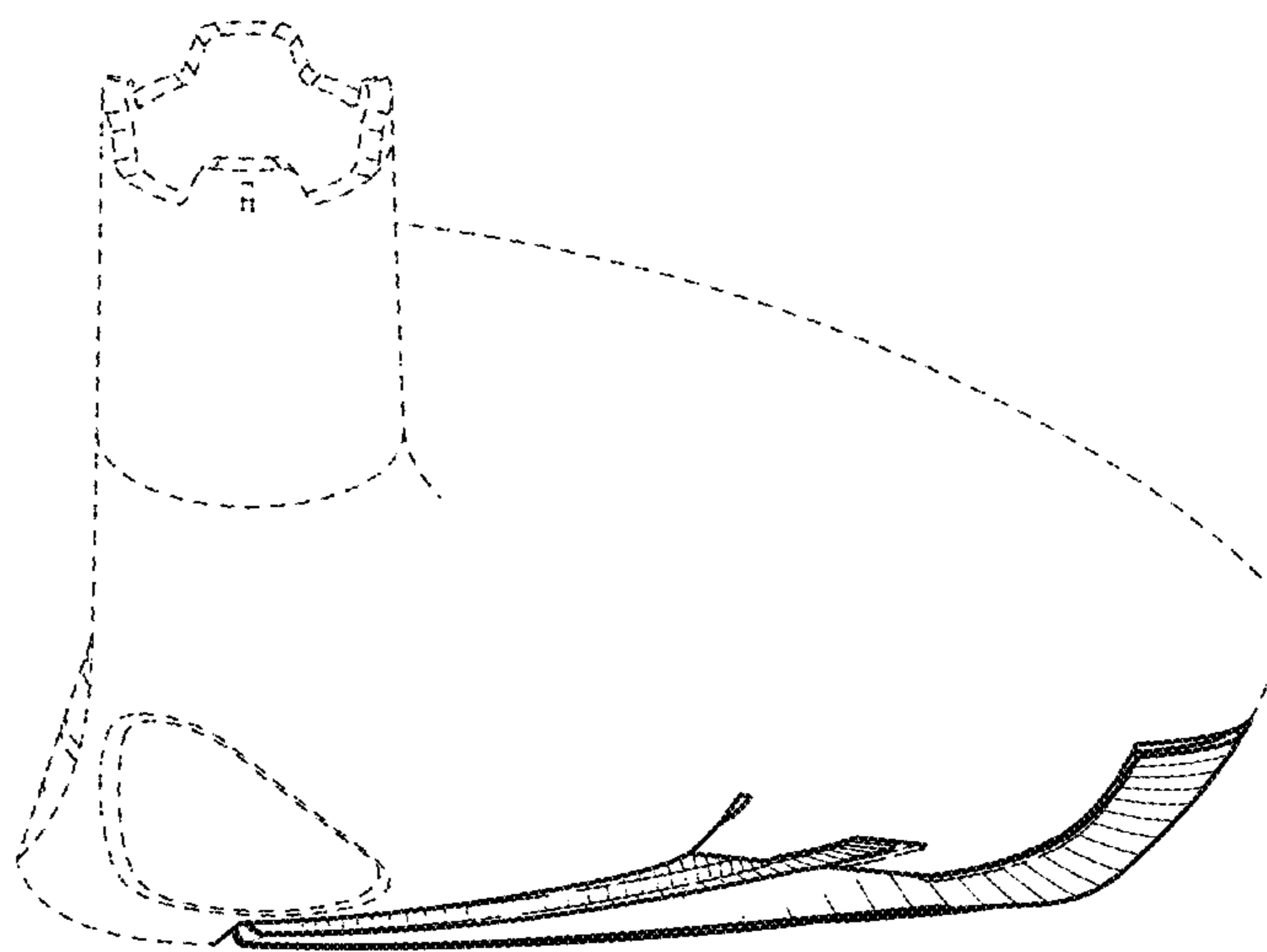


FIG. 5

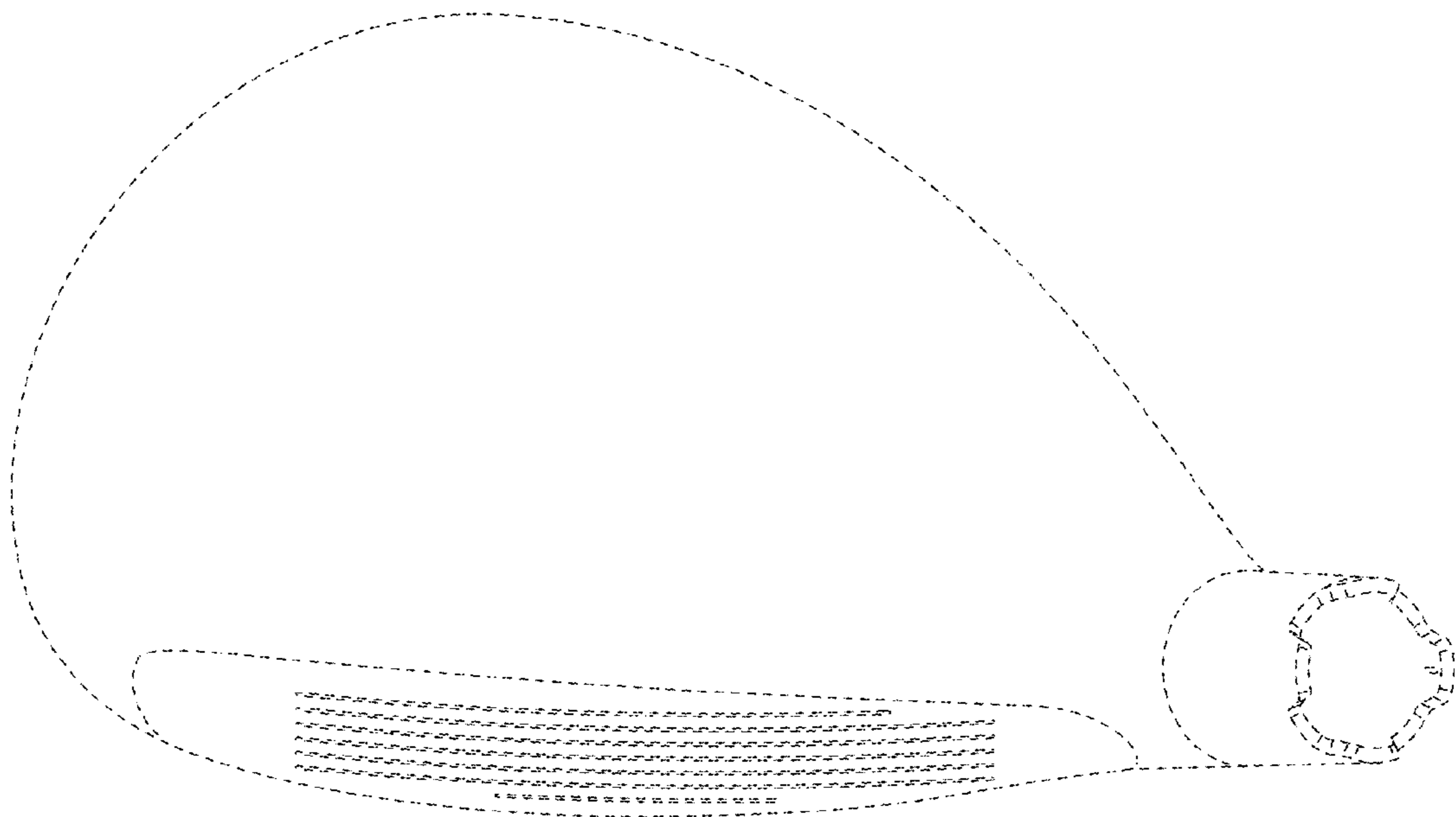


FIG. 6

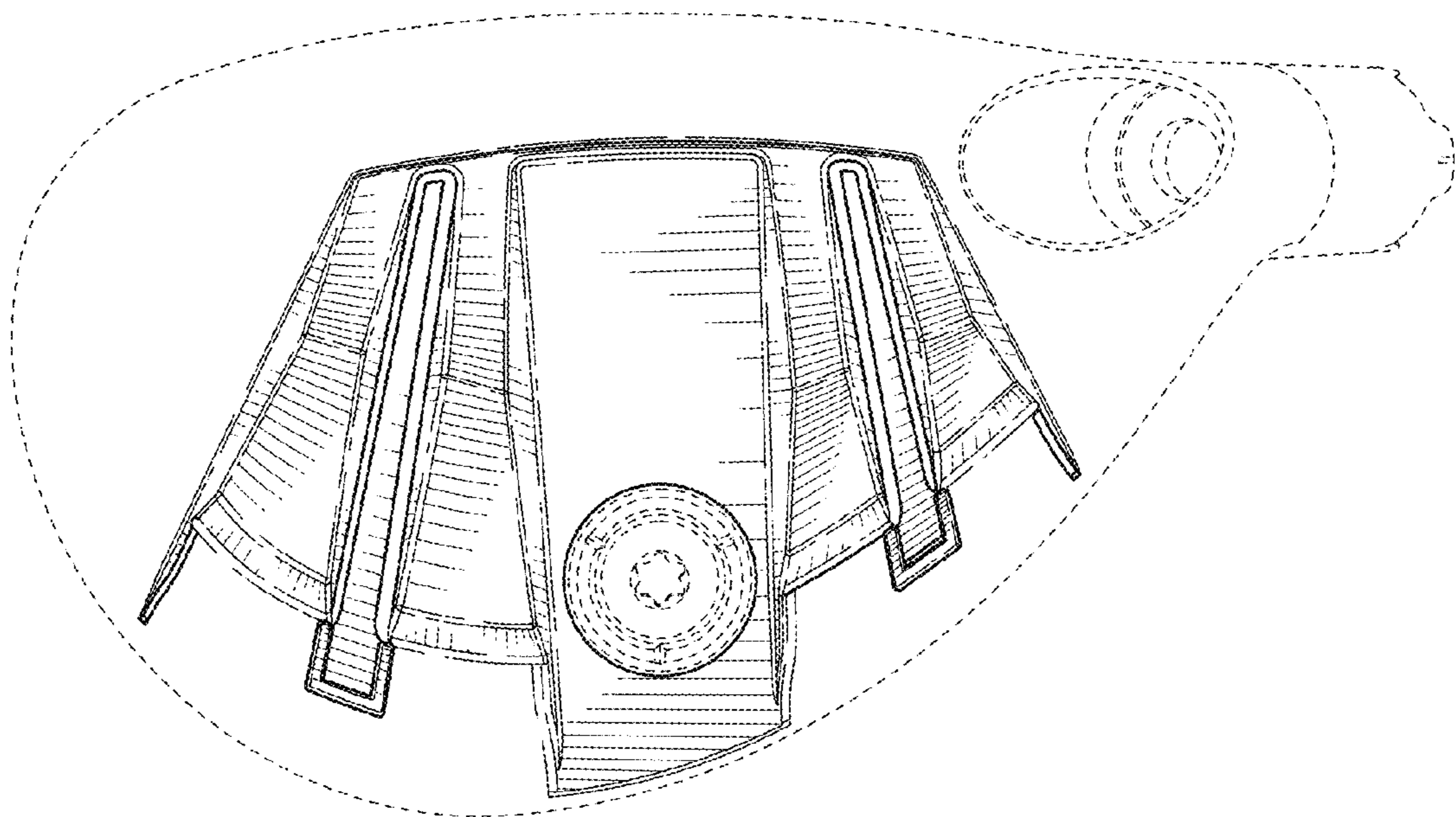


FIG. 7