



US00D788238S

(12) **United States Design Patent** (10) **Patent No.:** **US D788,238 S**
Foster (45) **Date of Patent:** **** May 30, 2017**

(54) **GOLF CLUB HEAD**
(71) Applicant: **CALLAWAY GOLF COMPANY,**
Carlsbad, CA (US)
(72) Inventor: **Philip G. Foster,** Vista, CA (US)
(73) Assignee: **Callaway Golf Company,** Carlsbad,
CA (US)
(**) Term: **15 Years**
(21) Appl. No.: **29/562,836**
(22) Filed: **Apr. 29, 2016**
(51) **LOC (10) Cl.** **21-02**
(52) **U.S. Cl.**
USPC **D21/759**
(58) **Field of Classification Search**
USPC D21/747-751, 759
CPC A63B 53/00; A63B 53/04; A63B 53/047;
A63B 53/0475; A63B 53/0445; A63B
2053/0479
See application file for complete search history.

D445,157 S * 7/2001 Jones et al. D21/749
D476,708 S * 7/2003 Wahl D21/747
D489,106 S * 4/2004 Toulon et al. D21/749
D596,684 S * 7/2009 Sutovsky D21/747
D597,157 S * 7/2009 Wallin D21/747
D597,616 S * 8/2009 Ines D21/747
D618,293 S * 6/2010 Foster D21/747
D625,375 S * 10/2010 Kim D21/748
D631,110 S * 1/2011 Kim D21/747
D633,159 S * 2/2011 Holt D21/747
D643,488 S * 8/2011 Holt D21/747
D643,895 S * 8/2011 Wieland D21/747
D647,988 S * 11/2011 Nunez D21/747
D652,093 S * 1/2012 Foster D21/747
D663,369 S * 7/2012 Foster D21/749
D709,149 S * 7/2014 Roach D21/747
D753,250 S * 4/2016 Song D21/749

* cited by examiner

Primary Examiner — Mitchell Siegel
(74) *Attorney, Agent, or Firm* — Rebecca Hanovice;
Michael Catania; Sonia Lari

(57) **CLAIM**

The ornamental design for a golf club head, as shown and described.

DESCRIPTION

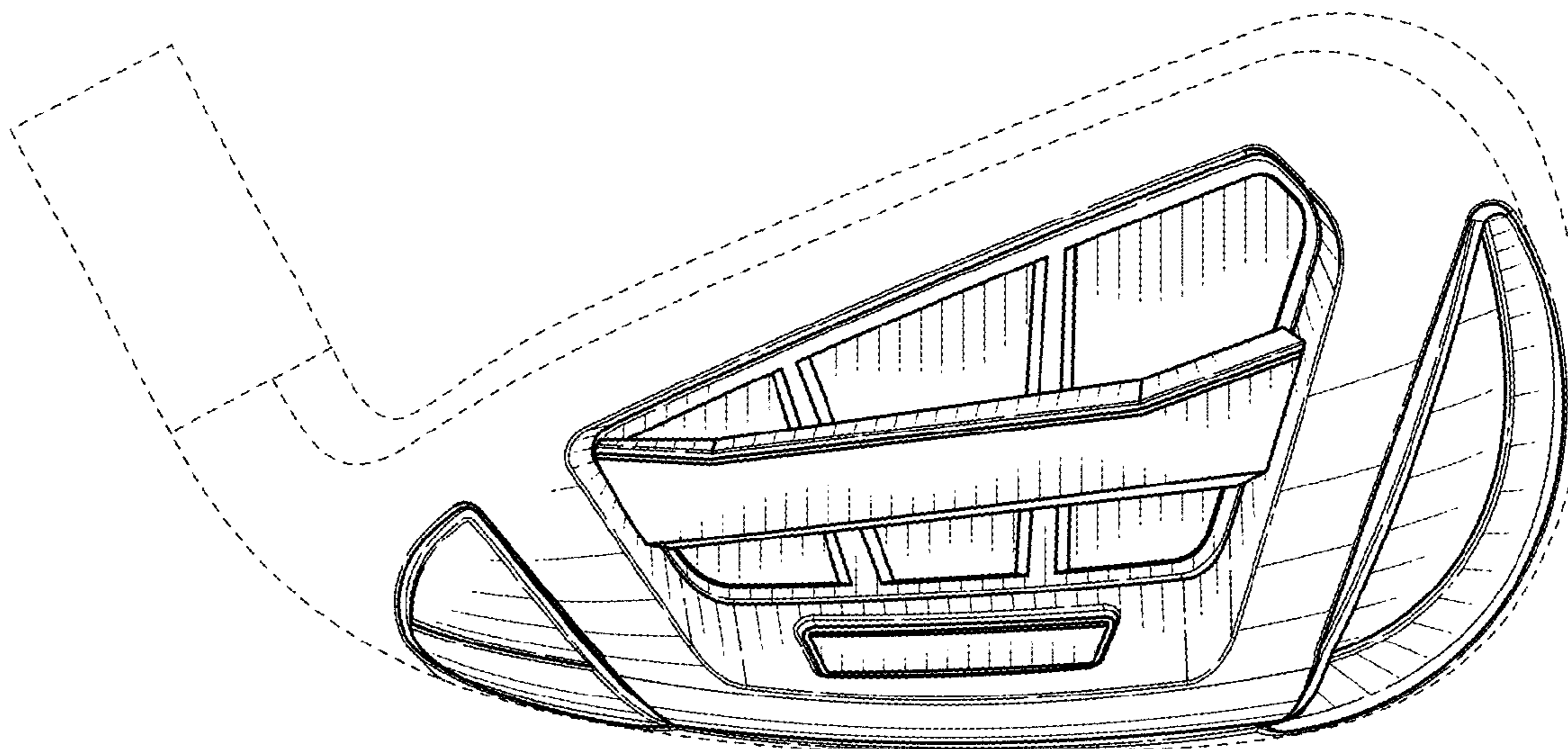
FIG. 1 is a rear perspective view of a golf club head as claimed herein;
FIG. 2 is a front elevational view thereof;
FIG. 3 is a rear elevational view thereof;
FIG. 4 is a left side perspective view thereof;
FIG. 5 is a right side perspective view thereof;
FIG. 6 is a top elevational view thereof; and,
FIG. 7 is a bottom elevational view thereof.
The broken lines are included for the purpose of illustration only and form no part of the claimed design.

1 Claim, 3 Drawing Sheets

(56) **References Cited**

U.S. PATENT DOCUMENTS

D313,829 S * 1/1991 Antonious D21/749
D315,587 S * 3/1991 Antonious D21/749
D315,588 S * 3/1991 Antonious D21/749
D315,589 S * 3/1991 Antonious D21/749
D315,590 S * 3/1991 Antonious D21/749
D315,767 S * 3/1991 Antonious D21/749
D315,768 S * 3/1991 Antonious D21/749
D315,769 S * 3/1991 Antonious D21/749
D315,939 S * 4/1991 Antonious D21/749
D319,091 S * 8/1991 Antonious D21/749
D328,483 S * 8/1992 Antonious D21/748
D330,926 S * 11/1992 Antonious D21/748



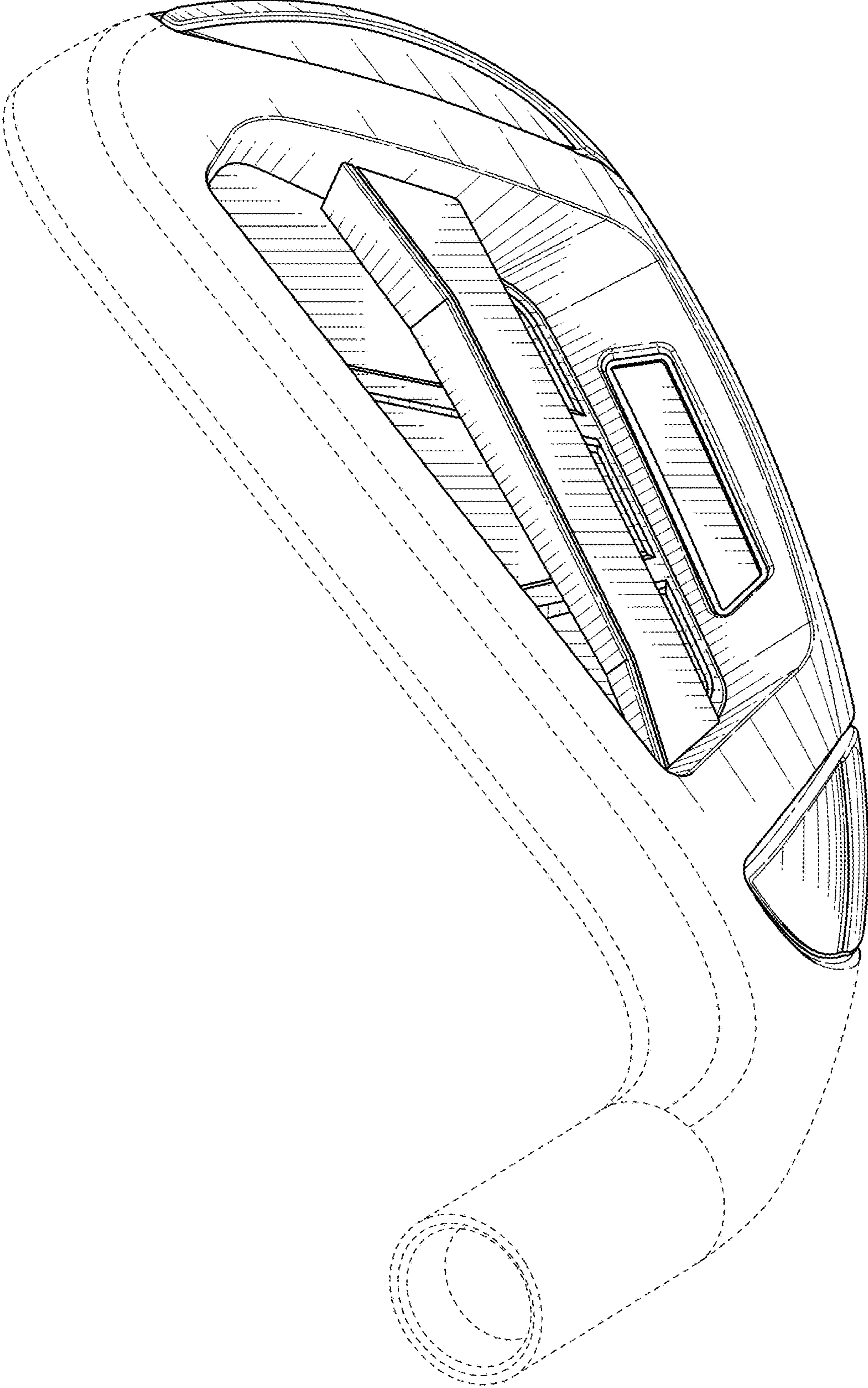


FIG. 1

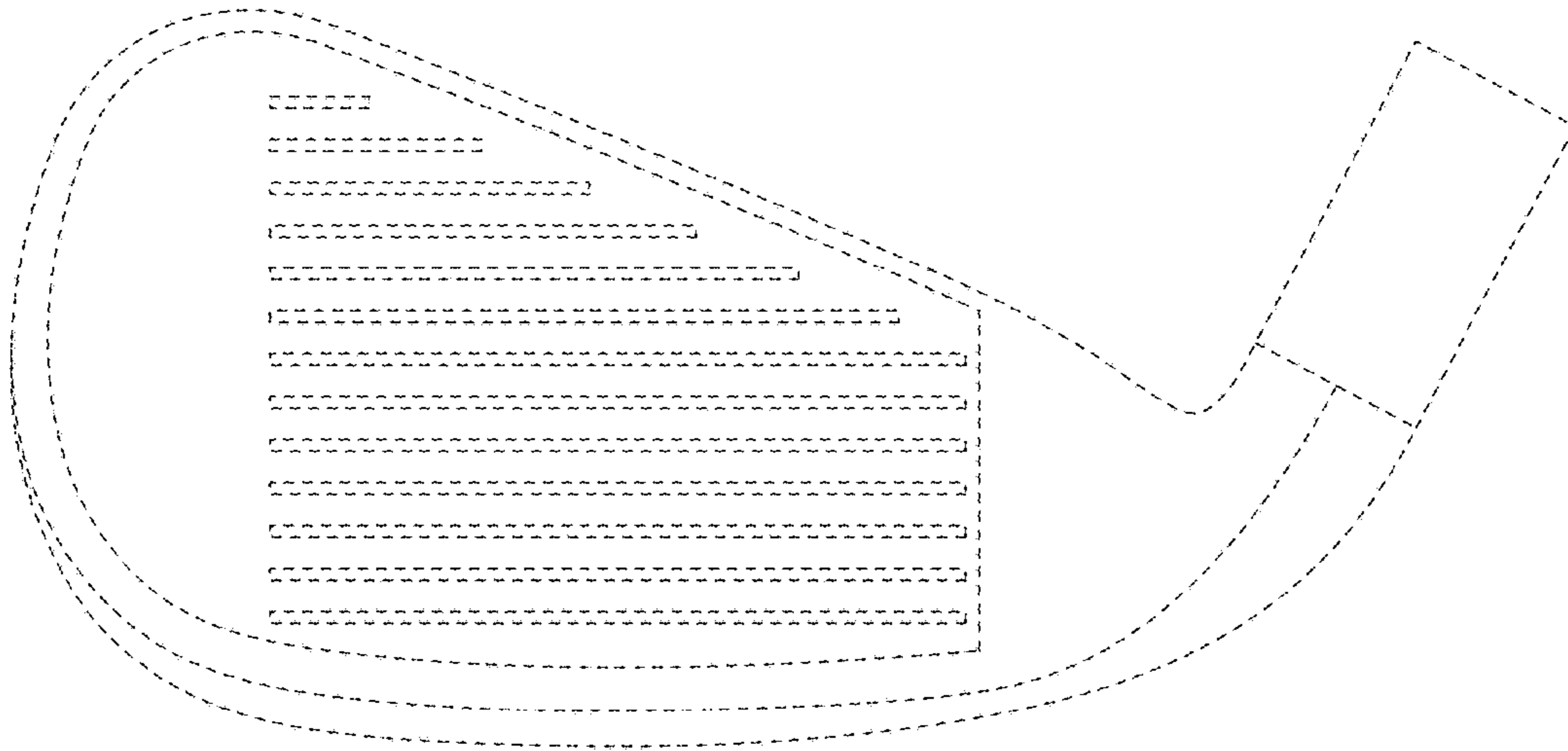


FIG. 2

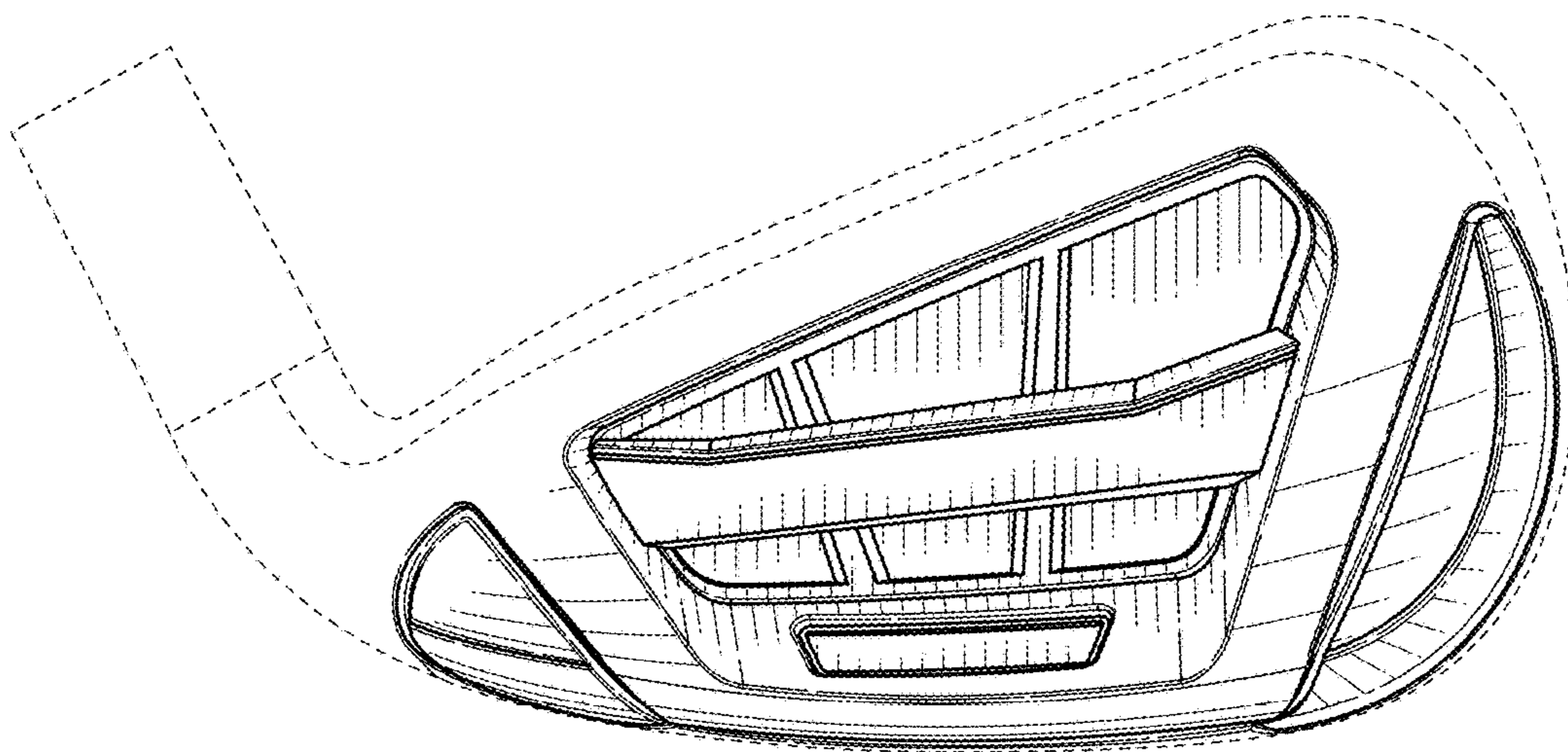


FIG. 3

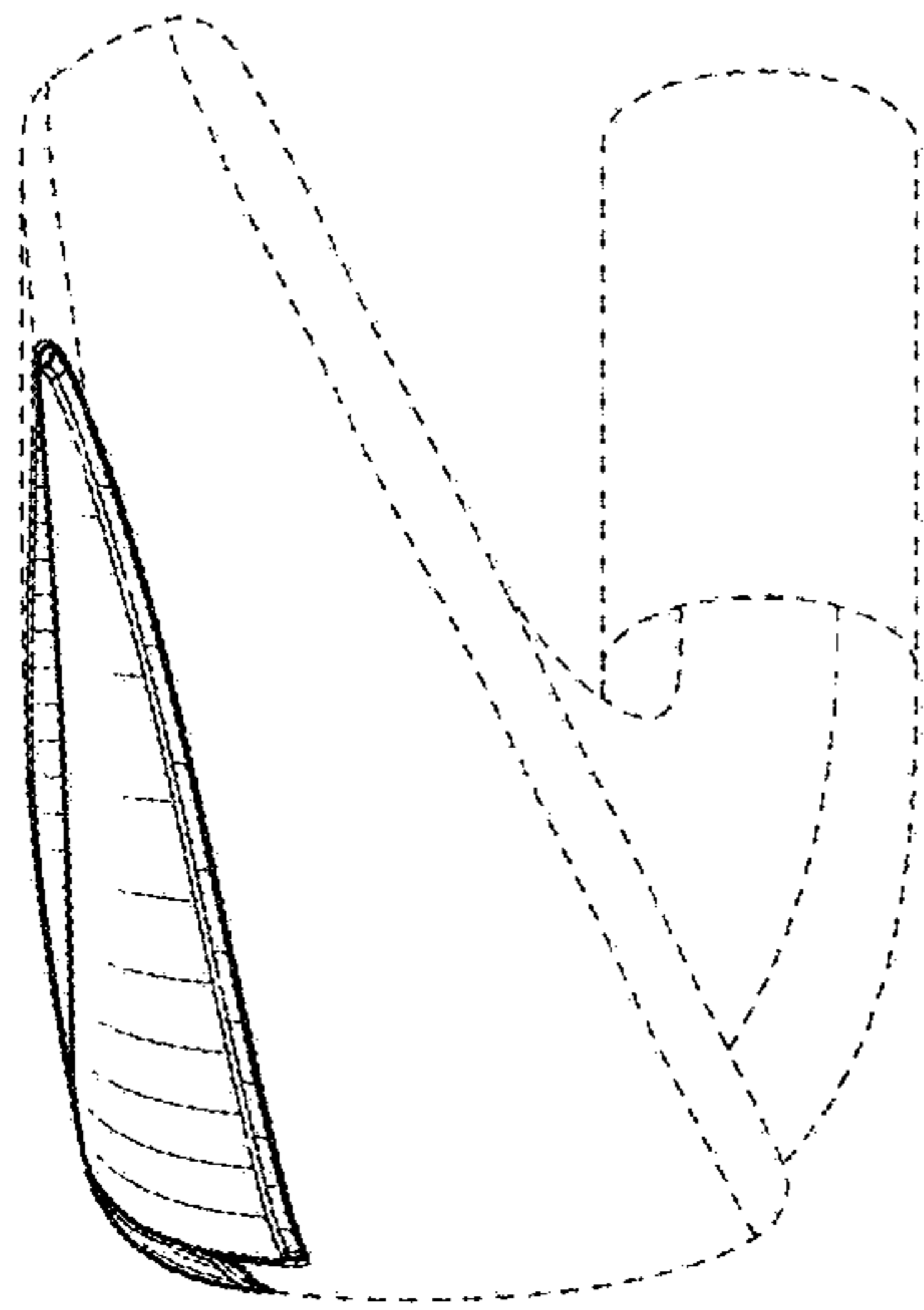


FIG. 4

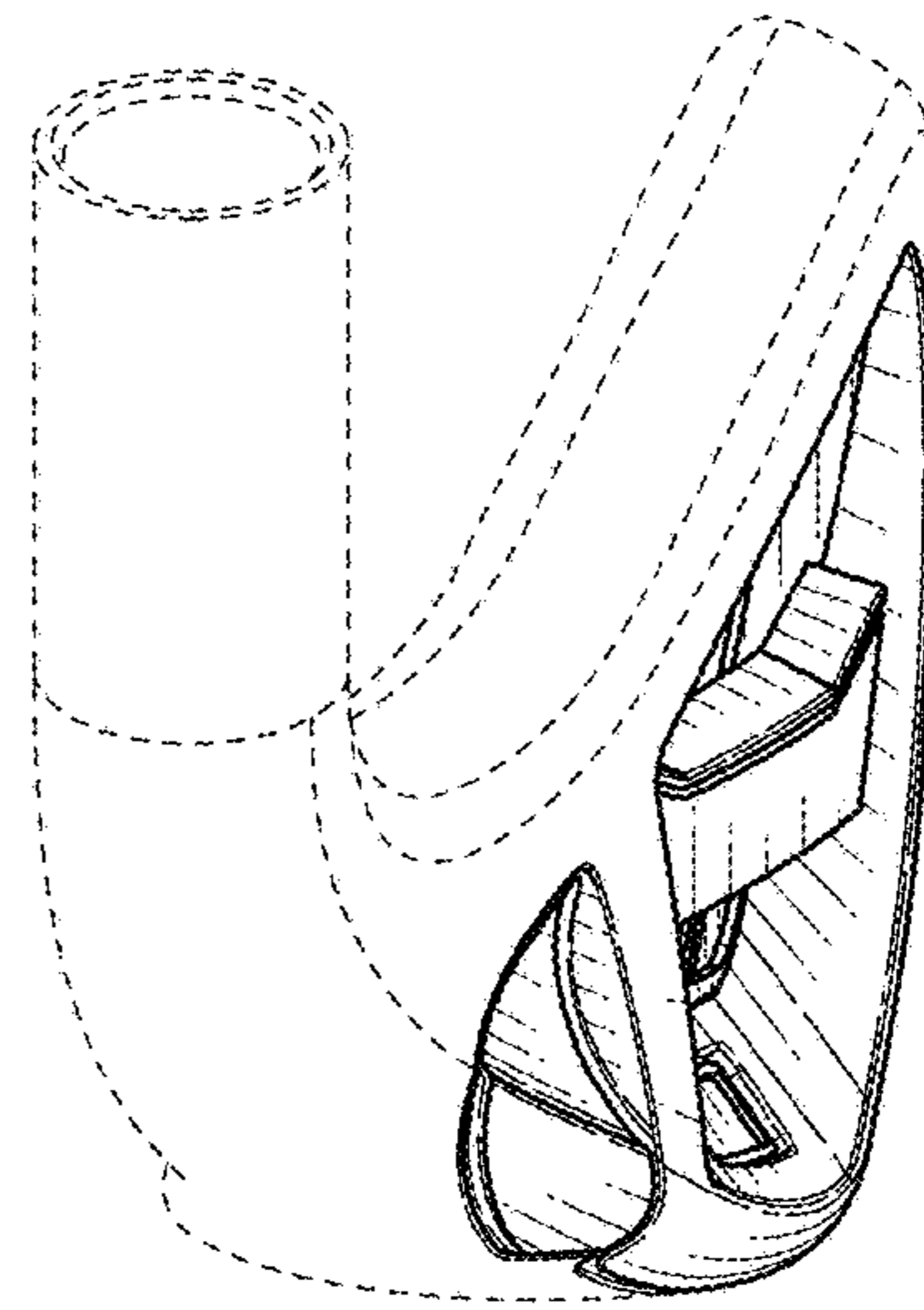


FIG. 5

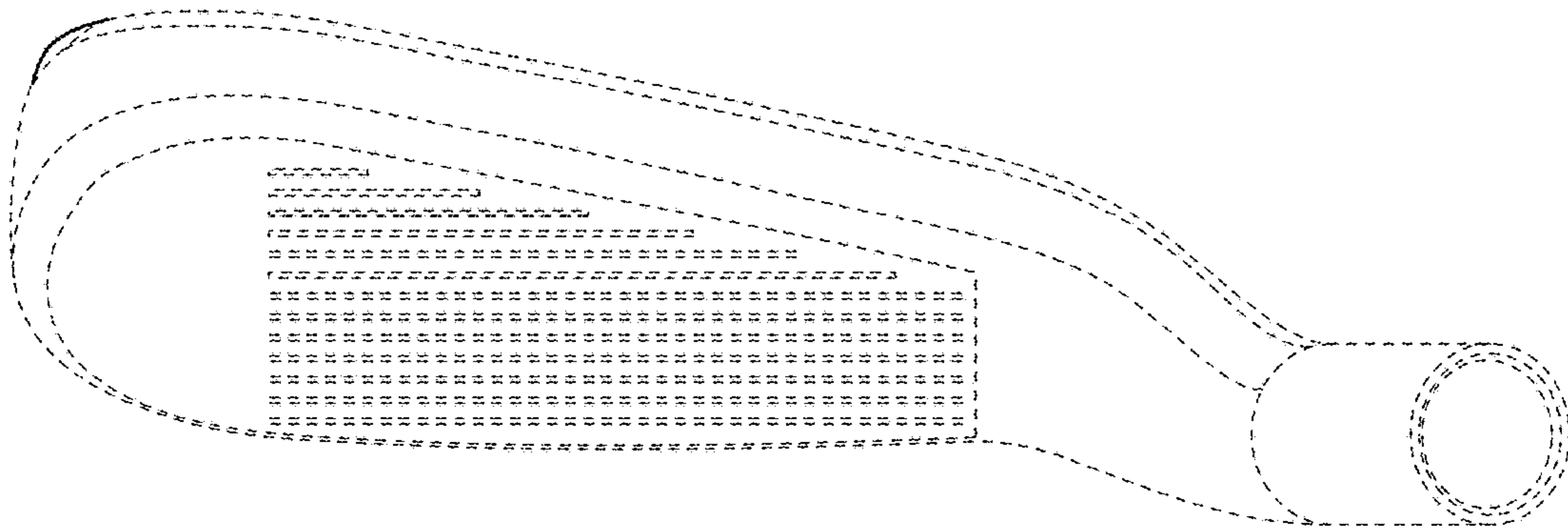


FIG. 6

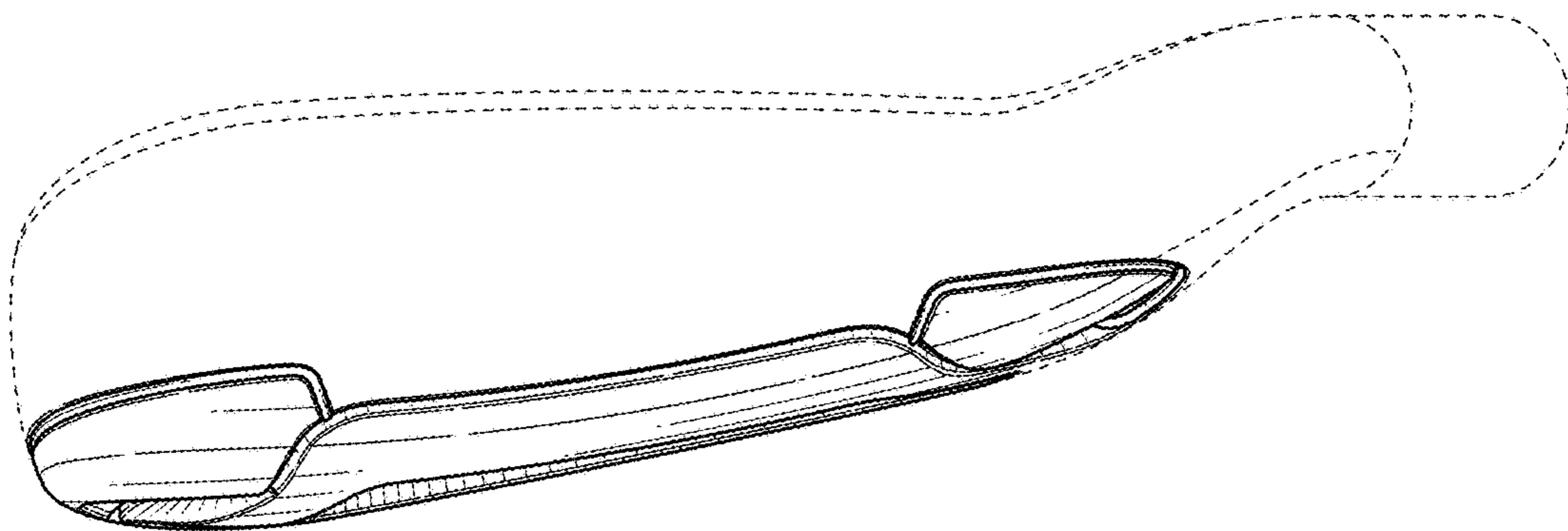


FIG. 7