



US00D788237S

(12) **United States Design Patent**
Cameron

(10) **Patent No.:** **US D788,237 S**

(45) **Date of Patent:** **** May 30, 2017**

(54) **PUTTER HEAD**

(71) Applicant: **Acushnet Company**, Fairhaven, MA
(US)

(72) Inventor: **Don T. Cameron**, Carlsbad, CA (US)

(73) Assignee: **Acushnet Company**, Fairhaven, MA
(US)

(**) Term: **15 Years**

(21) Appl. No.: **29/555,212**

(22) Filed: **Feb. 19, 2016**

(51) **LOC (10) Cl.** **21-02**

(52) **U.S. Cl.**
USPC **D21/759**

(58) **Field of Classification Search**
USPC D21/736-746, 759
CPC ... A63B 53/065; A63B 53/0487; A63B 53/00;
A63B 53/04; A63B 53/007
See application file for complete search history.

(56) **References Cited**

U.S. PATENT DOCUMENTS

D442,246 S	*	5/2001	McCabe	D21/759
D510,395 S	*	10/2005	Miraflor	D21/759
D510,396 S	*	10/2005	Rollinson	D21/759
D512,757 S	*	12/2005	Cleveland	D21/747
D530,761 S	*	10/2006	Evans	D21/752
D532,069 S	*	11/2006	Tang	D21/752

D544,933 S	*	6/2007	Evans	D21/752
D556,278 S	*	11/2007	Mahaffey	D21/747
D570,933 S	*	6/2008	Kramski	
D574,050 S	*	7/2008	Jones	D21/759
D661,754 S	*	6/2012	Cameron	D21/759
D707,771 S	*	6/2014	Cameron	D21/759
D730,464 S	*	5/2015	Cameron	D21/743
D730,465 S	*	5/2015	Cameron	D21/759
D758,513 S	*	6/2016	Cameron	D21/736
D765,802 S	*	9/2016	Cameron	D21/743

* cited by examiner

Primary Examiner — Mitchell Siegel

(74) *Attorney, Agent, or Firm* — Randy K. Chang

(57) **CLAIM**

The ornamental design for a putter head, as shown and described.

DESCRIPTION

FIG. 1 is a perspective sole view of my new design for a putter head;

FIG. 2 is a top view thereof;

FIG. 3 is a back view thereof;

FIG. 4 is a bottom sole view thereof;

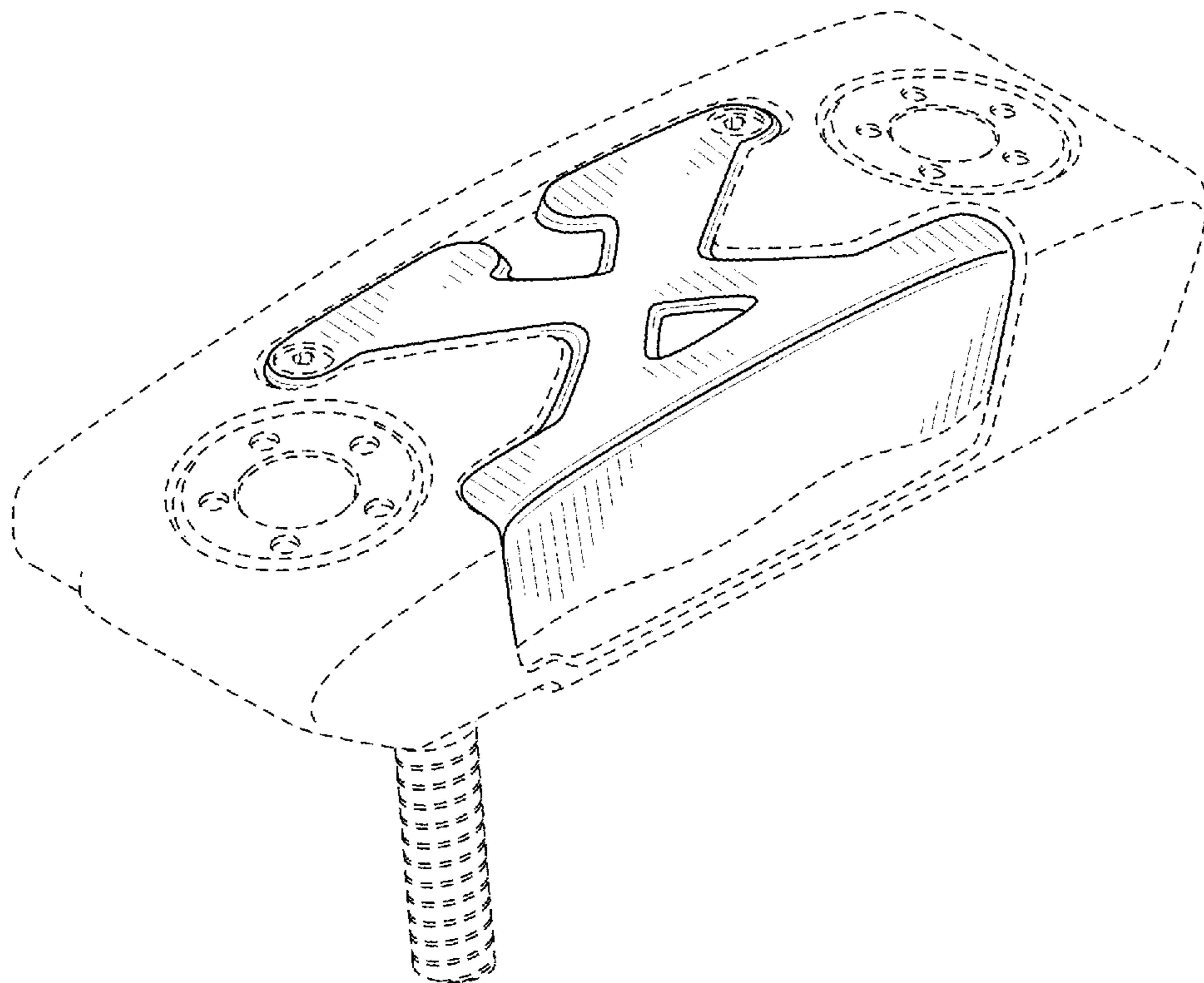
FIG. 5 is a front view thereof;

FIG. 6 is a heel view thereof; and,

FIG. 7 is a toe view thereof.

The portion of the club head shown in phantom are for illustrative purposes only and do not form any portion of the claimed design.

1 Claim, 3 Drawing Sheets



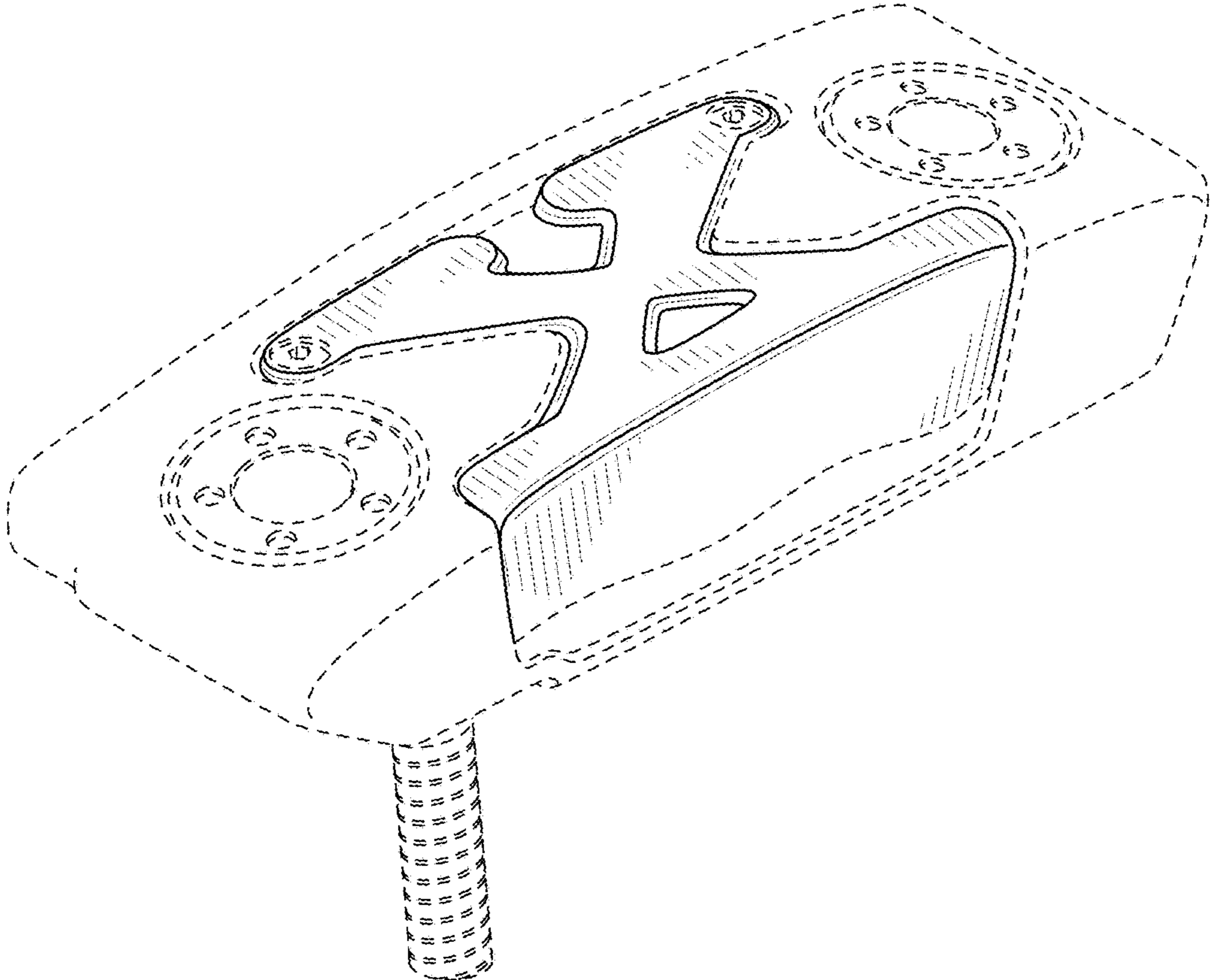


FIG. 1

FIG. 2

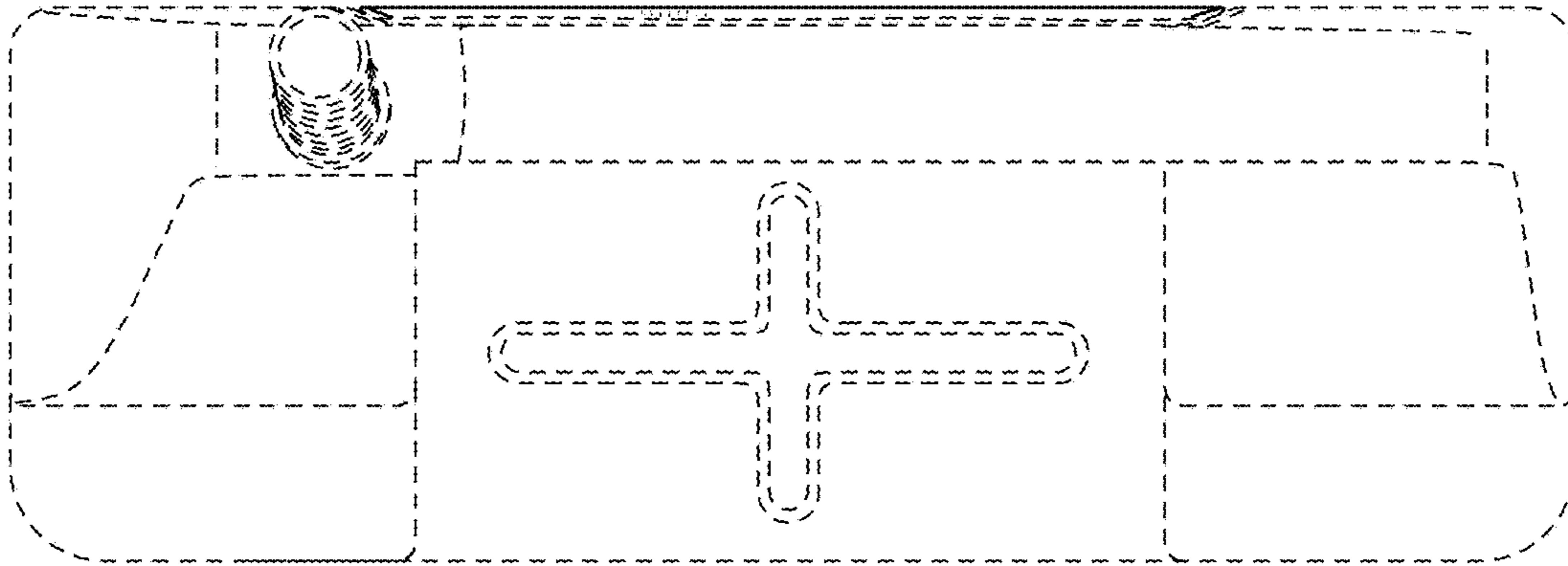


FIG. 3

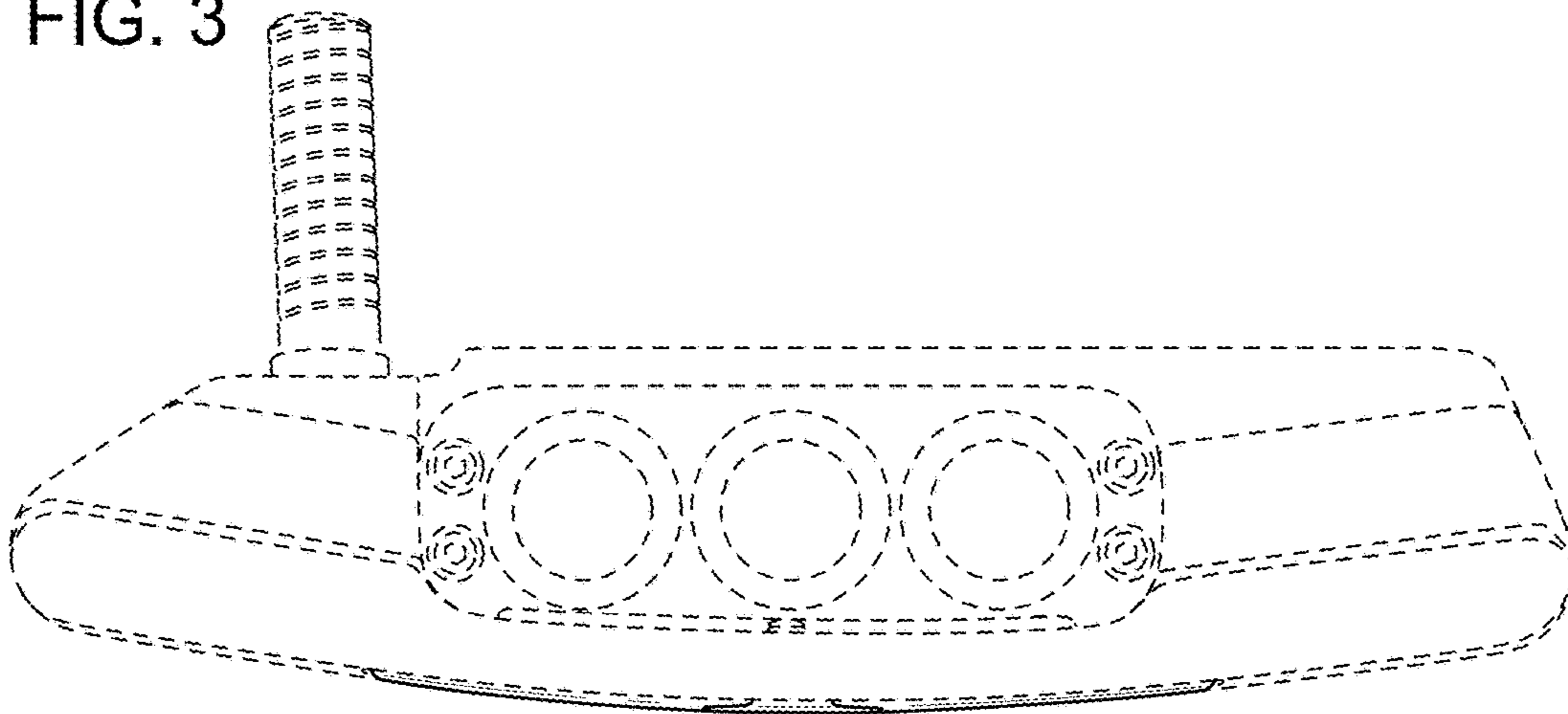


FIG. 4

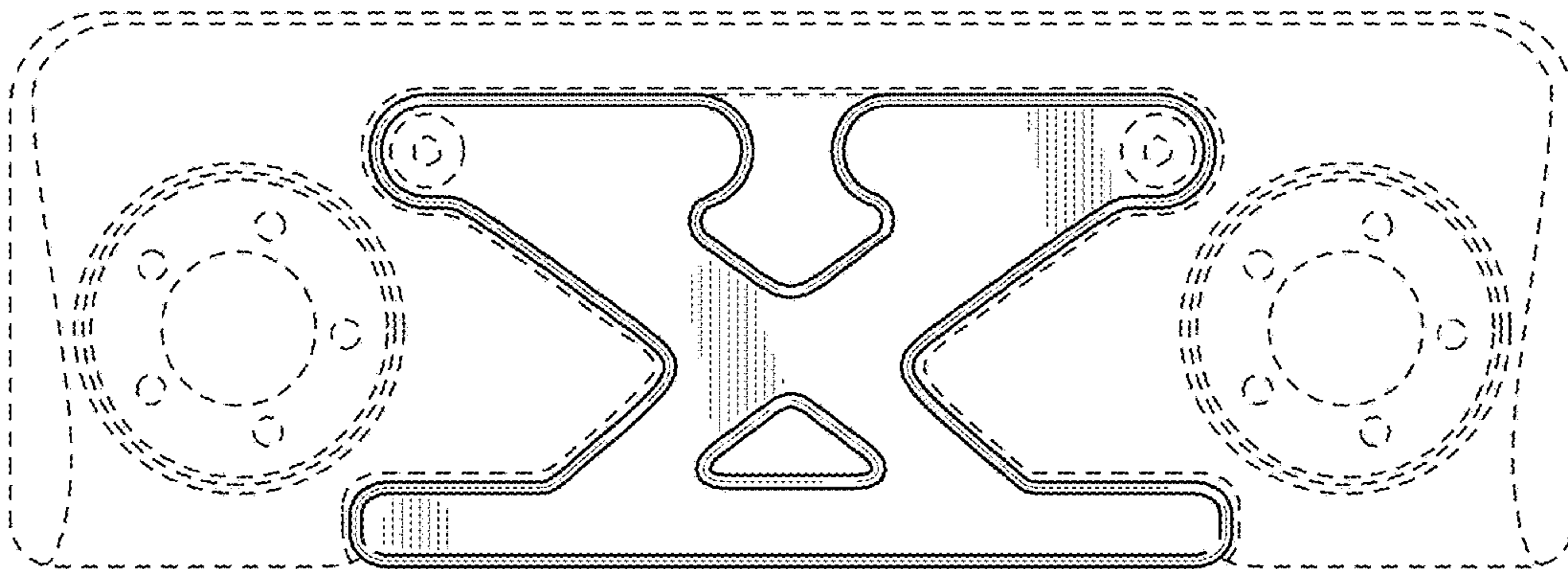


FIG. 5

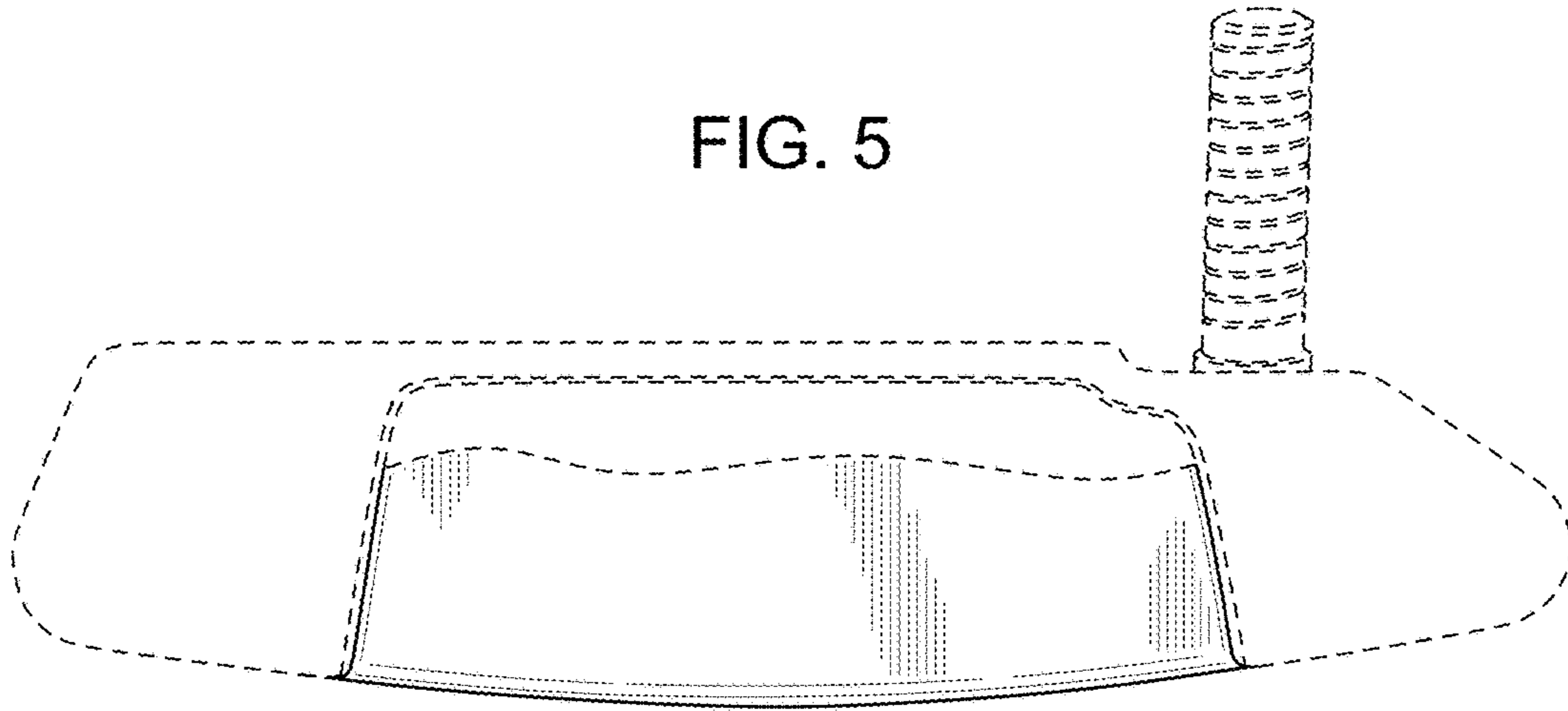


FIG. 6

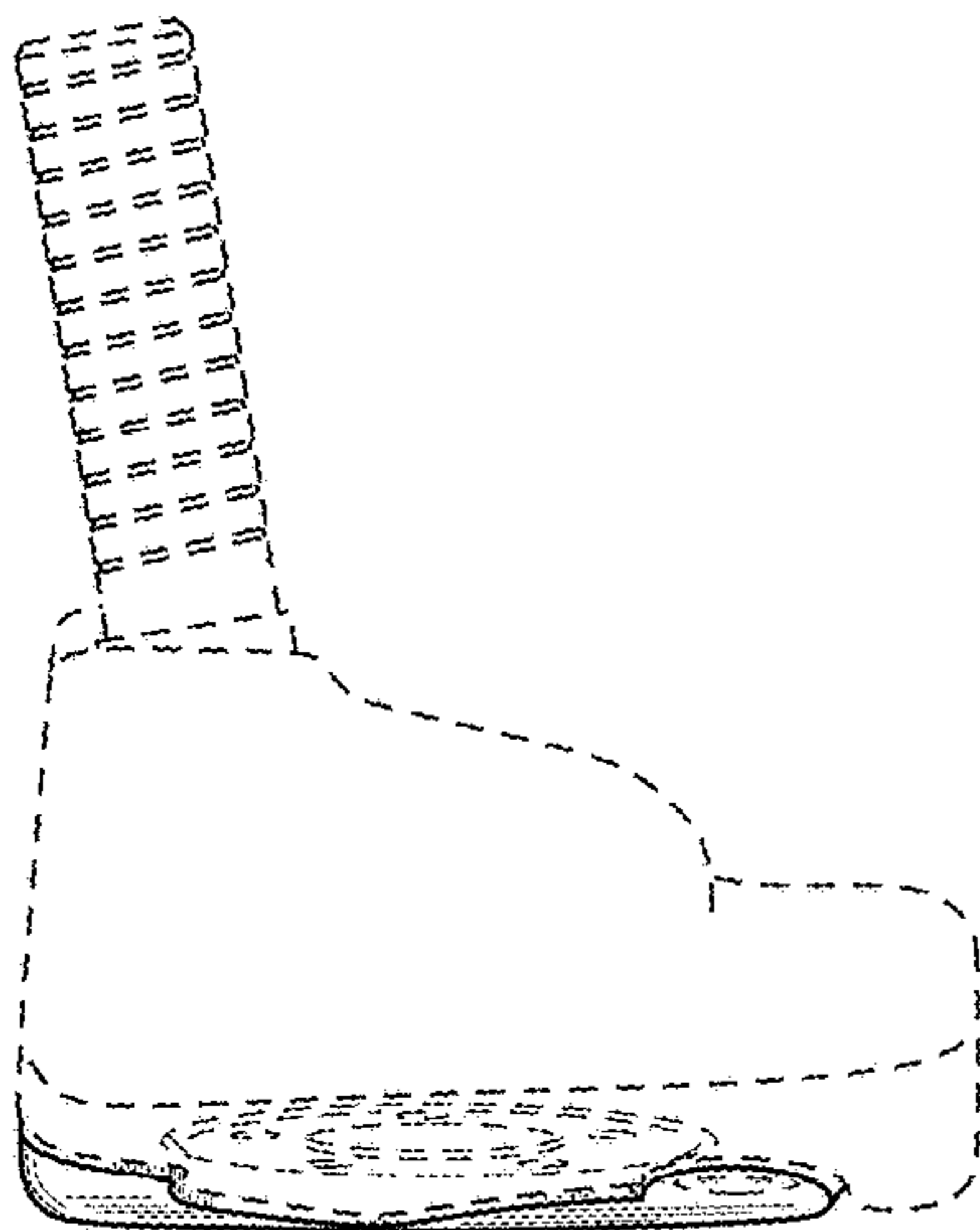


FIG. 7

