



US00D788236S

(12) **United States Design Patent** (10) **Patent No.:** **US D788,236 S**
Bishop (45) **Date of Patent:** **** May 30, 2017**

(54) **GOLF CLUB**
(71) Applicant: **Michael Bishop**, Findlay, OH (US)
(72) Inventor: **Michael Bishop**, Findlay, OH (US)
(**) Term: **15 Years**
(21) Appl. No.: **29/562,017**
(22) Filed: **Apr. 21, 2016**
(51) **LOC (10) Cl.** **21-02**
(52) **U.S. Cl.**
USPC **D21/747**
(58) **Field of Classification Search**
USPC D21/747-751, 759
CPC A63B 53/00; A63B 53/04; A63B 53/047;
A63B 53/0475; A63B 53/0445; A63B
2053/0479
See application file for complete search history.

D537,894 S * 3/2007 Cleveland D21/747
D544,055 S * 6/2007 Wieland D21/747
D545,386 S * 6/2007 Nguyen D21/747
D556,278 S * 11/2007 Mahaffey D21/747
D563,497 S * 3/2008 Mahaffey D21/747
D622,336 S * 8/2010 Kohno D21/747
D754,269 S * 4/2016 Stokke D21/747
D754,806 S * 4/2016 Bacon D21/747
D777,854 S * 1/2017 Bacon D21/748

* cited by examiner

Primary Examiner — Mitchell Siegel

(74) *Attorney, Agent, or Firm* — Vorys, Sater, Seymour and Pease, LLP; Rex W. Miller, II

(57) **CLAIM**

The ornamental design for a golf club, as shown and described.

DESCRIPTION

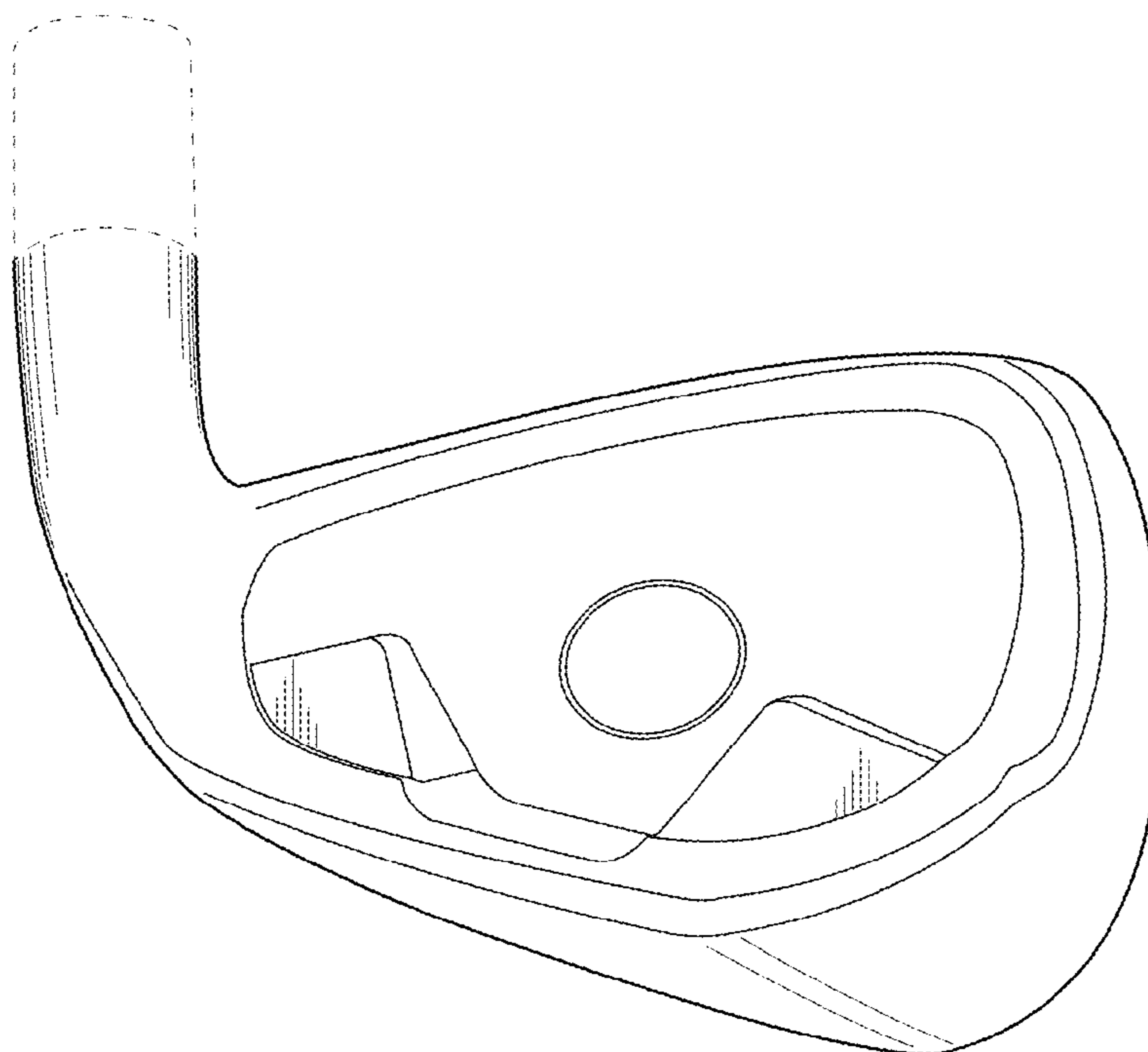
FIG. 1 is a front perspective view thereof;
FIG. 2 is a back perspective view thereof;
FIG. 3 is a front view thereof;
FIG. 4 is a back view thereof;
FIG. 5 is a left side view thereof;
FIG. 6 is a right side view thereof;
FIG. 7 is a top view thereof; and,
FIG. 8 is a bottom view thereof.
The broken lines shown are environmental only and form no part of the claimed design.

1 Claim, 4 Drawing Sheets

(56) **References Cited**

U.S. PATENT DOCUMENTS

D464,387 S * 10/2002 Rollinson D21/748
D464,693 S * 10/2002 Rollinson D21/748
D474,822 S * 5/2003 Cleveland D21/747
D496,419 S * 9/2004 Lang D21/747
D498,277 S * 11/2004 Lang D21/747
D501,237 S * 1/2005 Madore D21/759
D512,757 S * 12/2005 Cleveland D21/747
D529,114 S * 9/2006 Madore D21/759
D529,970 S * 10/2006 Madore D21/744
D532,848 S * 11/2006 Cleveland D21/747
D533,245 S * 12/2006 Cleveland D21/747



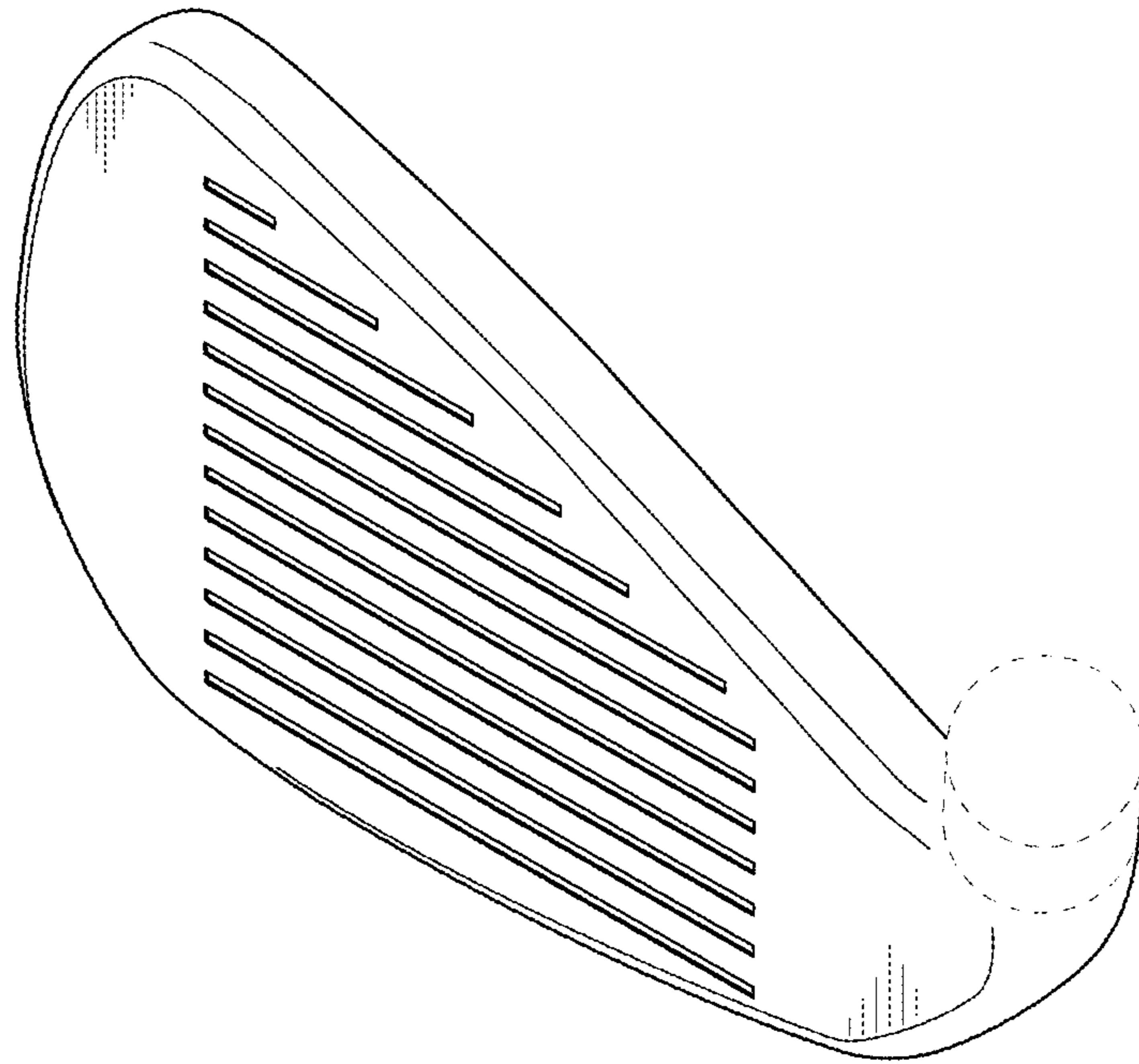


FIG. 1

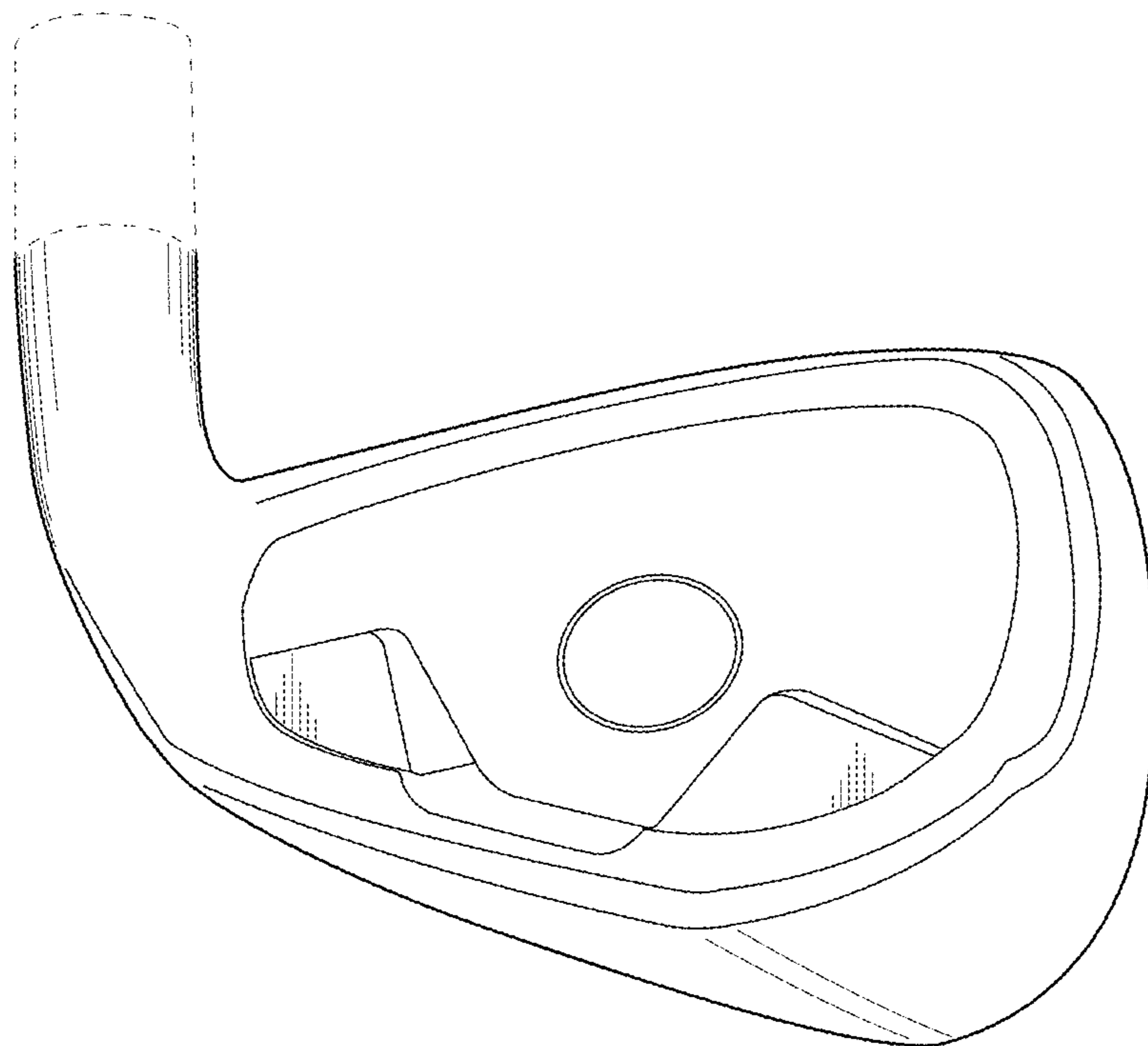


FIG. 2

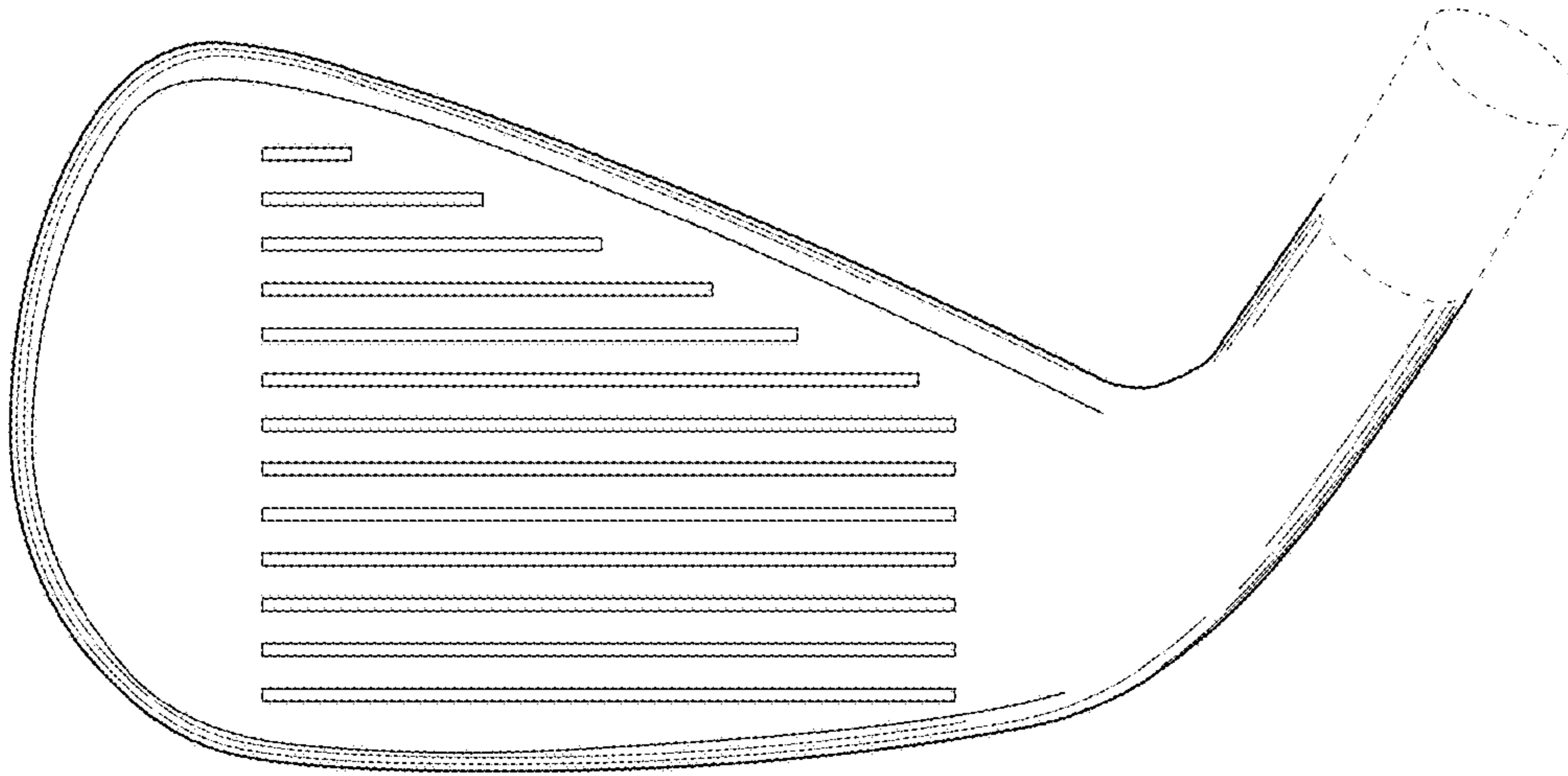


FIG. 3

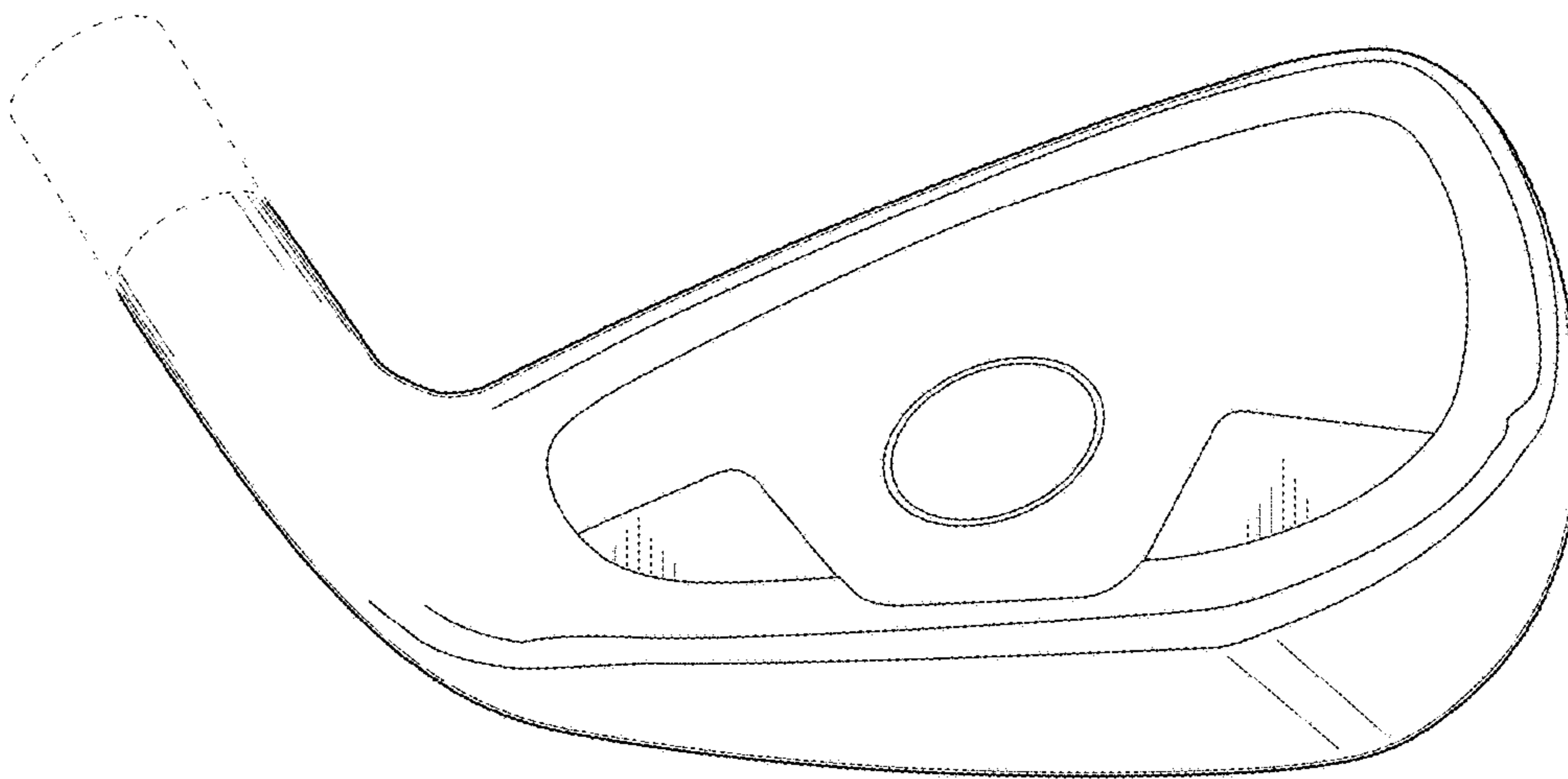


FIG. 4

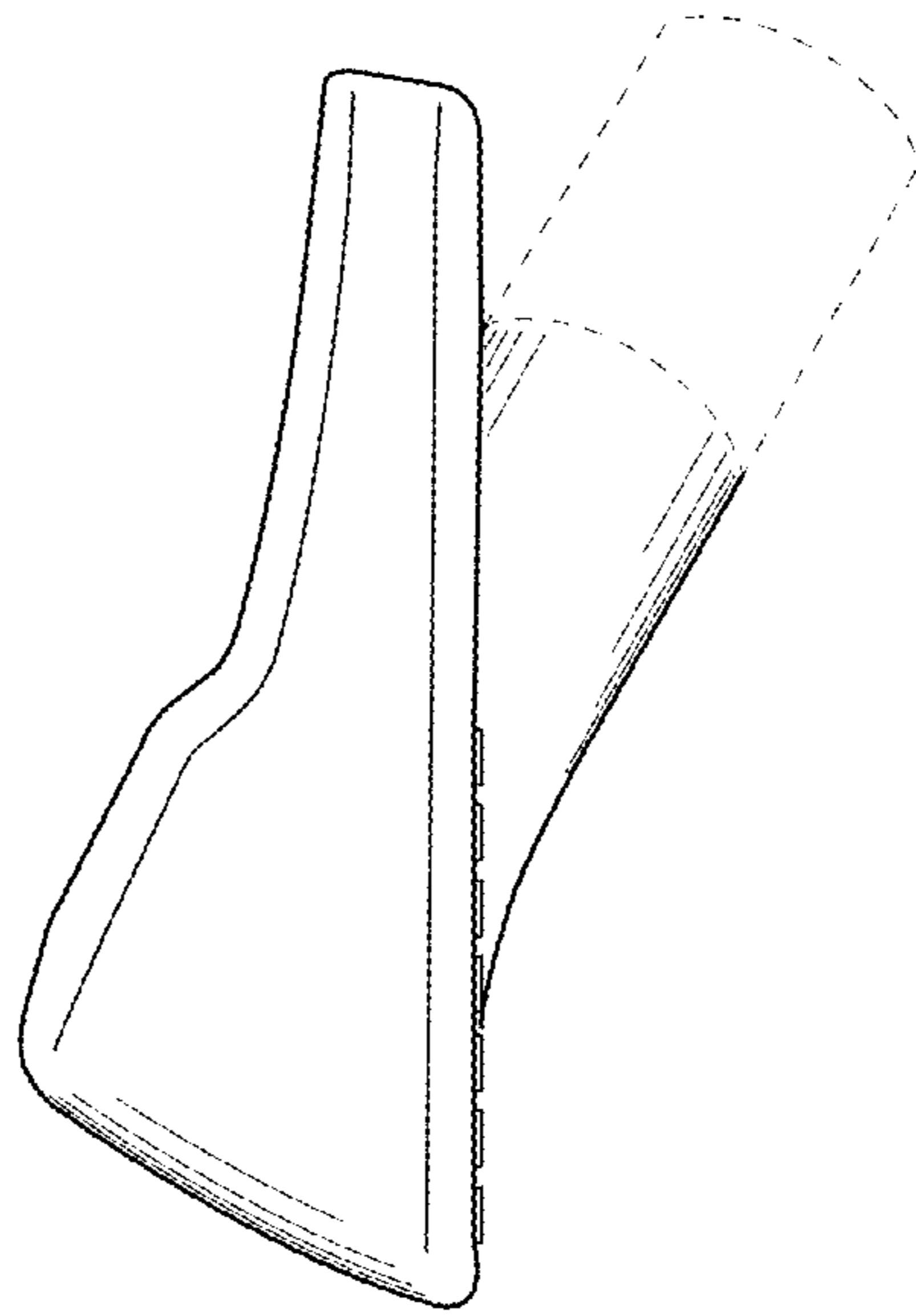


FIG. 5

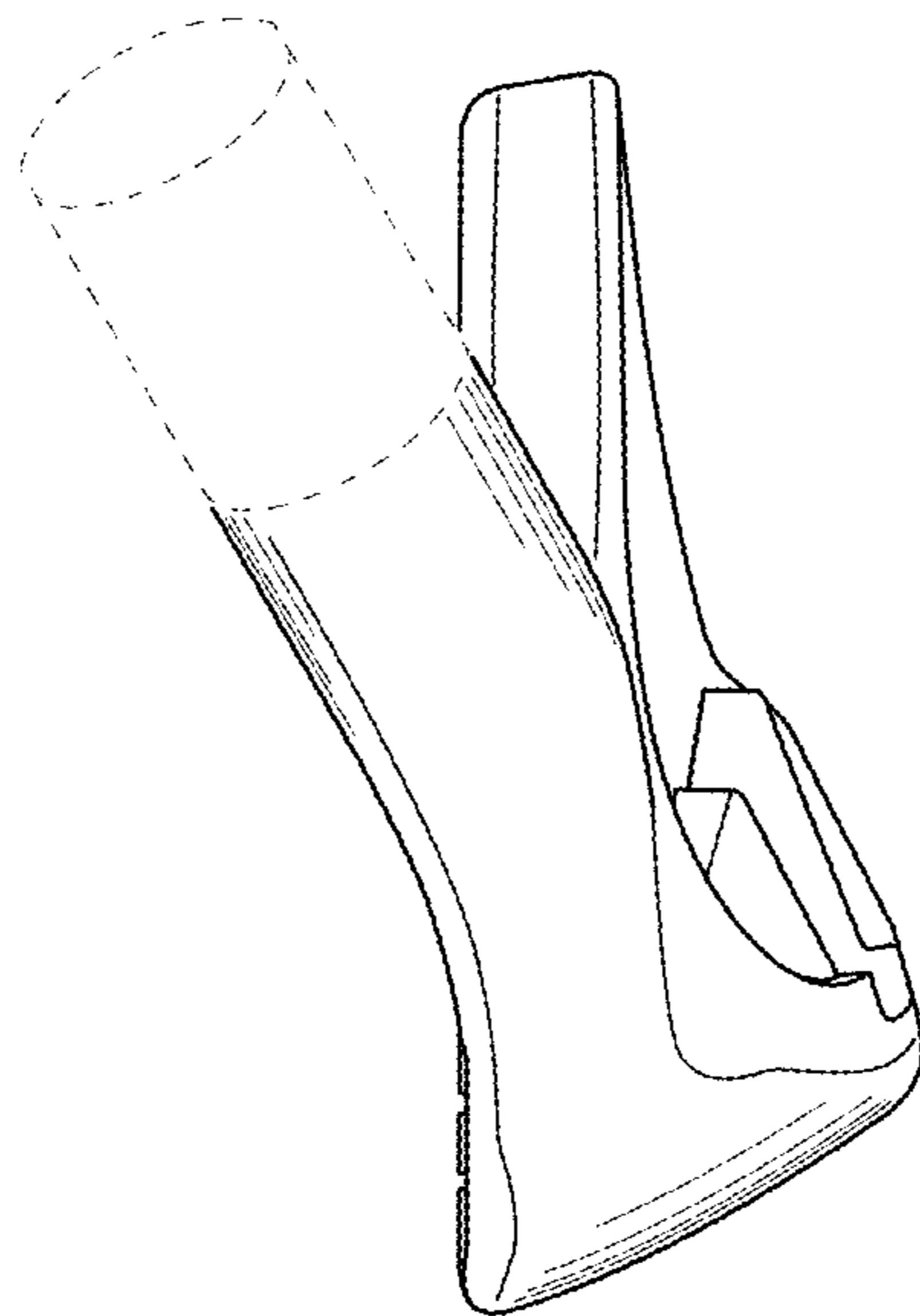


FIG. 6

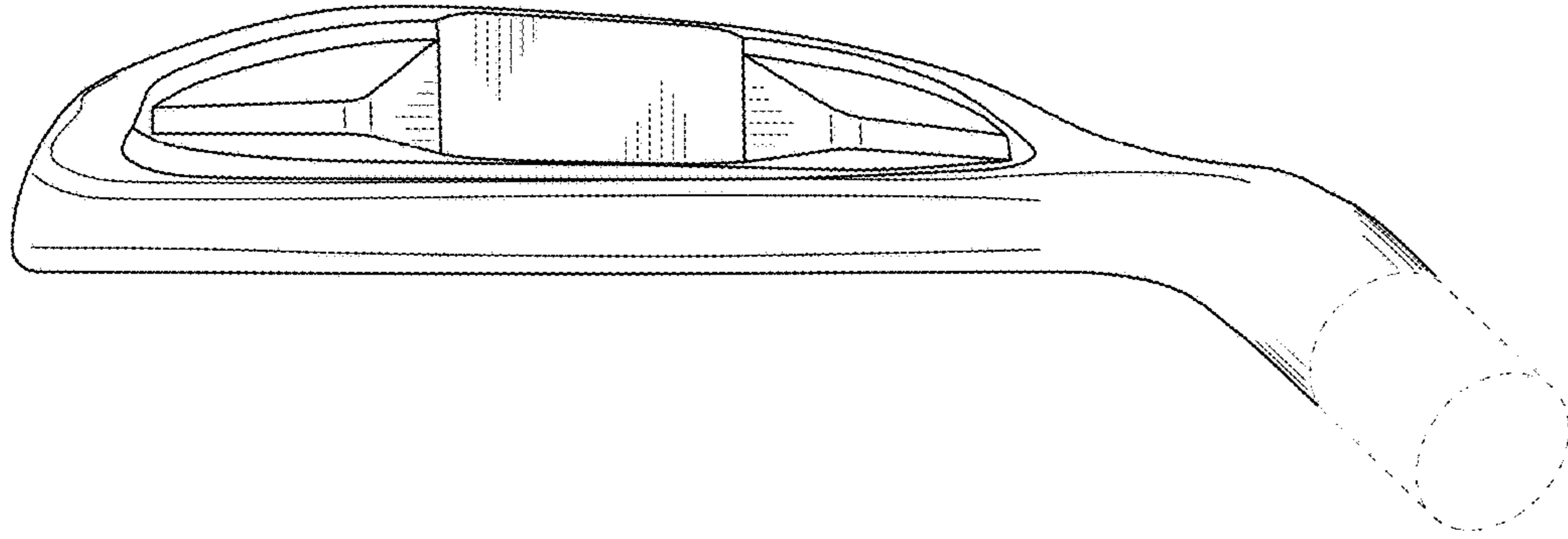


FIG. 7

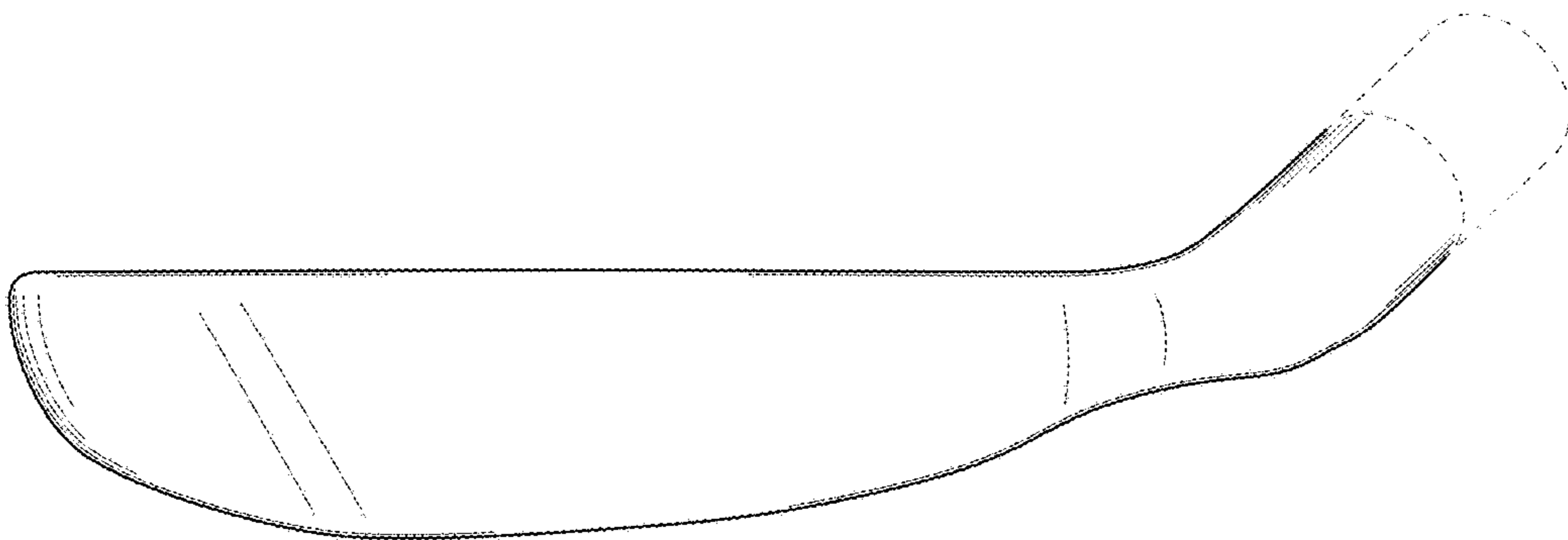


FIG. 8