



US00D788232S

(12) **United States Design Patent**
Koeberl

(10) **Patent No.:** **US D788,232 S**

(45) **Date of Patent:** **** May 30, 2017**

(54) **TRANSLUCENT PIXEL BLOCK**

DESCRIPTION

(71) Applicant: **Mark George Koeberl**, Janesville, WI (US)

(72) Inventor: **Mark George Koeberl**, Janesville, WI (US)

(**) Term: **15 Years**

(21) Appl. No.: **29/559,578**

(22) Filed: **Mar. 30, 2016**

(51) **LOC (10) Cl.** **21-01**

(52) **U.S. Cl.**
USPC **D21/491; D21/500**

(58) **Field of Classification Search**
USPC D21/484, 485, 486, 488, 489, 491, 494,
D21/495, 499, 500-504; 446/69, 85,
(Continued)

(56) **References Cited**

U.S. PATENT DOCUMENTS

2,461,535 A 2/1949 Erhardt
2,649,803 A * 8/1953 Andre A63H 33/062
446/102

3,005,282 A 10/1961 Christiansen
3,234,683 A 2/1966 Christiansen
3,412,502 A 11/1968 Riches
3,487,579 A 1/1970 Brettingen
D272,167 S * 1/1984 Chatani D21/499
D272,256 S * 1/1984 Chatani D21/499

(Continued)

OTHER PUBLICATIONS

Lego Mood Light—Mini Edition, posted on geekalerts.com Oct. 5, 2008 <<http://www.geekalerts.com/lego-mood-light-mini-edition/>>.*

Primary Examiner — Cynthia M Chin

(74) *Attorney, Agent, or Firm* — Monty Simmons;
Simmons Patents

(57) **CLAIM**

The ornamental design for a translucent pixel block, as shown and described.

FIG. 1 is a top plan view of a 1st embodiment;
FIG. 2 is a bottom plan view thereof;
FIG. 3 is a side elevation view thereof;
FIG. 4 is an elevated perspective view thereof;
FIG. 5 is a top plan view of a 2nd embodiment showing a dual block;
FIG. 6 is a bottom plan view thereof;
FIG. 7 is a side elevation view thereof;
FIG. 8 is an end elevation view thereof;
FIG. 9 is an elevated perspective view thereof;
FIG. 10 is a top plan view of a 3rd embodiment showing a quad block;
FIG. 11 is a bottom plan view thereof;
FIG. 12 is a side elevation view thereof;
FIG. 13 is an end elevation view thereof;
FIG. 14 is an elevated perspective view thereof;
FIG. 15 is a top plan view of a 4th embodiment showing an elongated block;
FIG. 16 is a bottom plan view thereof;
FIG. 17 is a side elevation view thereof;
FIG. 18 is an elevated perspective view thereof;
FIG. 19 is a top plan view of a 5th embodiment showing a dual elongated block;
FIG. 20 is a bottom plan view thereof;
FIG. 21 is a side elevation view thereof;
FIG. 22 is an end elevation view thereof;
FIG. 23 is an elevated perspective view thereof;
FIG. 24 is a side elevation view of a 6th embodiment;
FIG. 25 is a top plan view thereof;
FIG. 26 is bottom plan view thereof;
FIG. 27 is an end elevation view thereof;
FIG. 28 is an elevated perspective view thereof;
FIG. 29 is a top plan view of a 7th embodiment without contrasting shading;
FIG. 30 is a bottom plan view thereof;
FIG. 31 is an elevated perspective view thereof;
FIG. 32 is a side elevation view thereof;
FIG. 33 is a top plan view of an 8th embodiment showing a dual block without contrasting shading;
FIG. 34 is a bottom plan view thereof;
FIG. 35 is a side elevation view thereof;

(Continued)

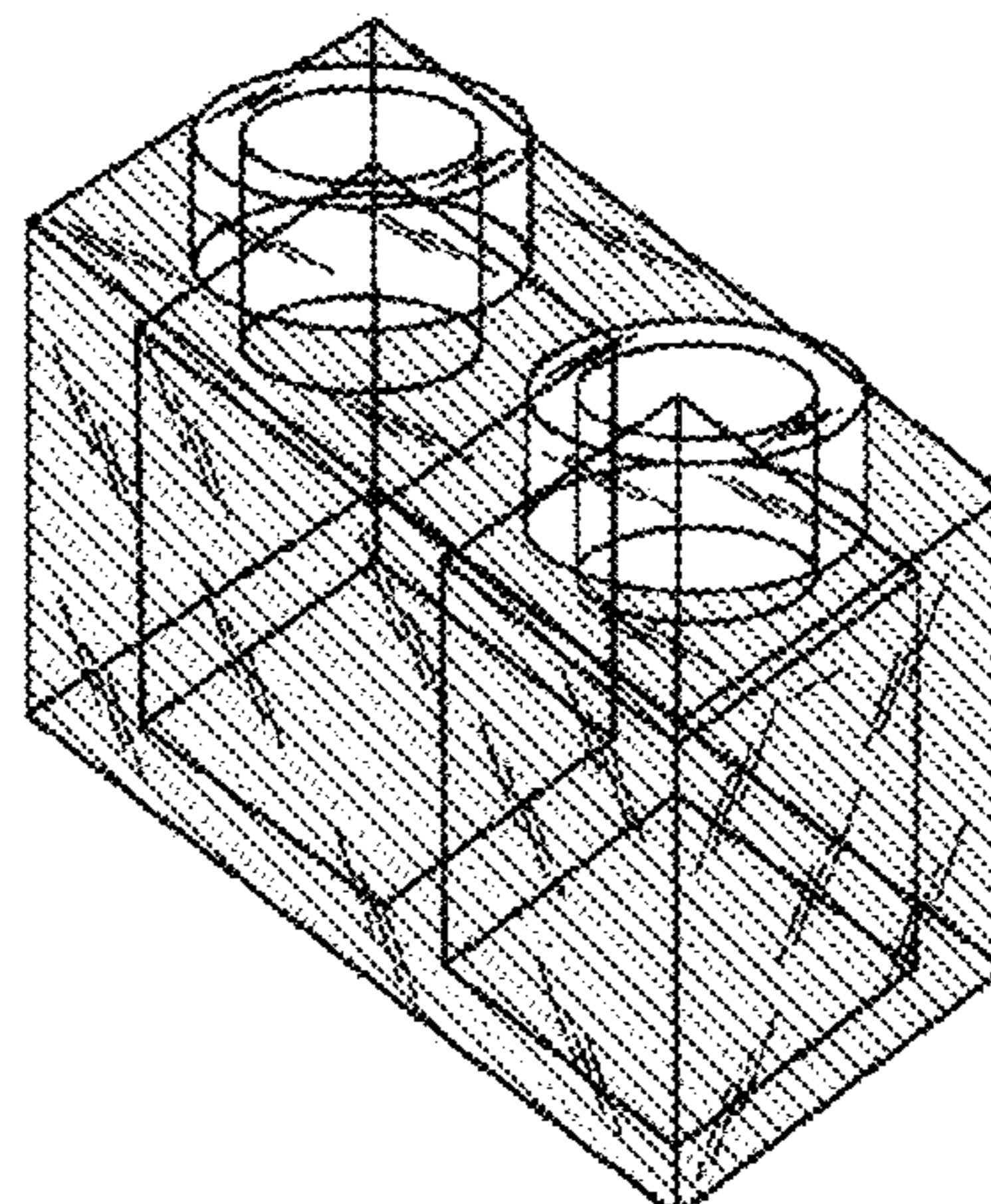
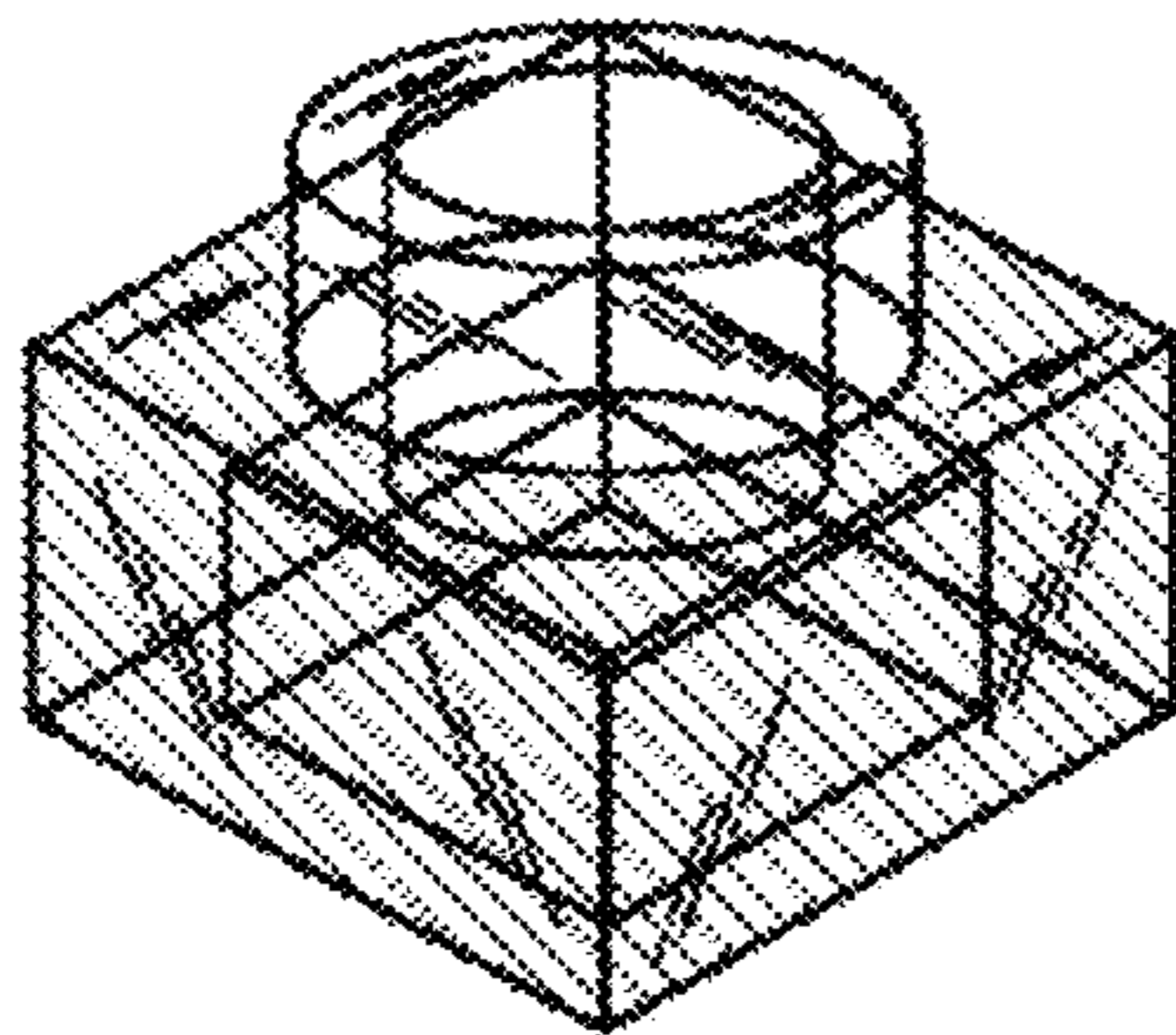


FIG. 36 is an end elevation view thereof;
 FIG. 37 is an elevated perspective view thereof;
 FIG. 38 is a top plan view there of a 9th embodiment showing a quad block without contrasting shading;
 FIG. 39 is a bottom plan view thereof;
 FIG. 40 is a side elevation view thereof;
 FIG. 41 is an end elevation view thereof;
 FIG. 42 is an elevated perspective view thereof;
 FIG. 43 is a top plan view of a 10th embodiment showing an elongated block without contrasting shading;
 FIG. 44 is a bottom plan view thereof;
 FIG. 45 is a side elevation view thereof;
 FIG. 46 is an elevated perspective view thereof;
 FIG. 47 is a top plan view of an 11th embodiment showing a dual elongated block without contrasting shading;
 FIG. 48 is a bottom plan view thereof;
 FIG. 49 is a side elevation view thereof;
 FIG. 50 is an end elevation view thereof;
 FIG. 51 is an elevated perspective view thereof;
 FIG. 52 is a top plan view of a 12th embodiment without contrasting shading;
 FIG. 53 is a bottom plan view thereof;
 FIG. 54 is a side elevation view thereof;
 FIG. 55 is an end elevation view thereof; and,
 FIG. 56 is an elevated perspective view thereof.

The blocks in FIGS. 1-28 are shaded with diagonal lines to show a contrast in appearance relative to portions with no diagonal lines.

1 Claim, 16 Drawing Sheets

(58) **Field of Classification Search**

USPC 446/102-128; 434/208, 259, 403;
 273/153, 156, 160
 CPC A63H 33/00; A63H 33/04; A63H 33/042;
 A63H 33/06; A63H 33/08; A63H 33/10;
 A63H 33/12; A63H 33/14; A63F 9/08;
 A63F 9/12; G09B 1/36

See application file for complete search history.

(56) **References Cited**

U.S. PATENT DOCUMENTS

4,547,160	A *	10/1985	Labelle	A63H 33/108 273/292
4,552,541	A	11/1985	Bolli	
D296,342	S *	6/1988	Knudsen	D21/499
5,471,808	A	12/1995	De Pieri	
D423,607	S *	4/2000	Rudy	D21/500
6,050,044	A	4/2000	McIntosh	
6,648,715	B2	11/2003	Wiens	
D617,396	S	6/2010	Nielsen	

* cited by examiner

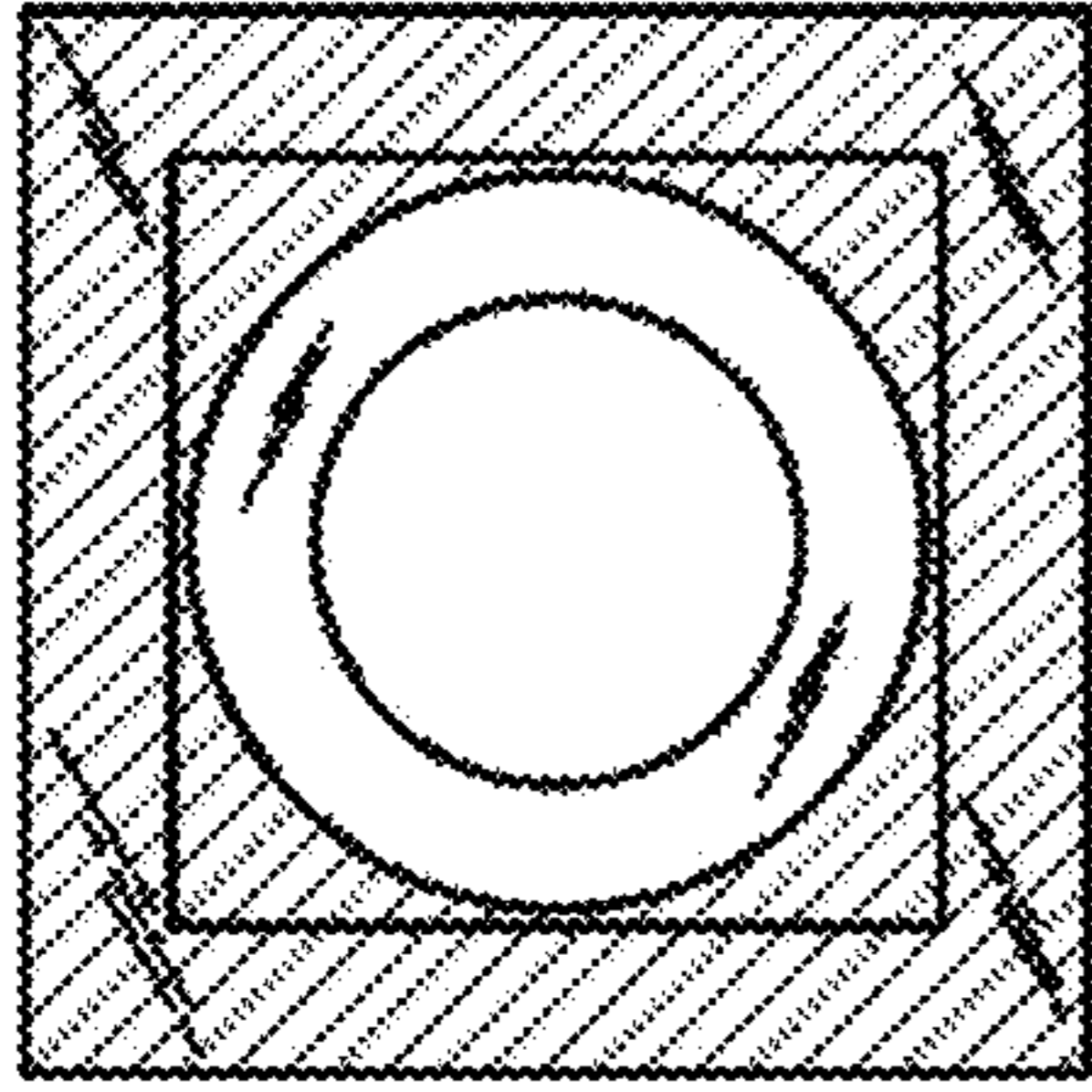


Fig. 1

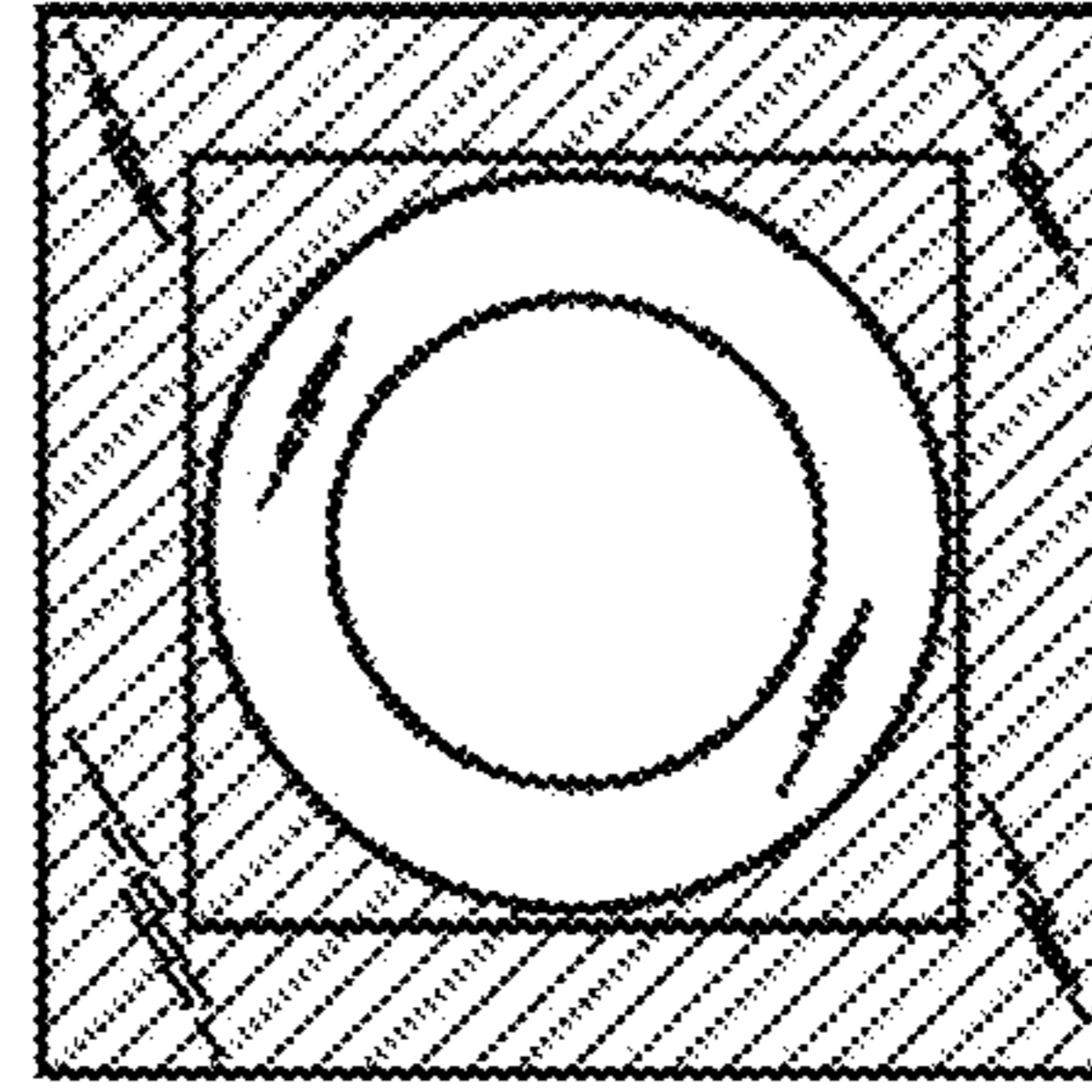


Fig. 2

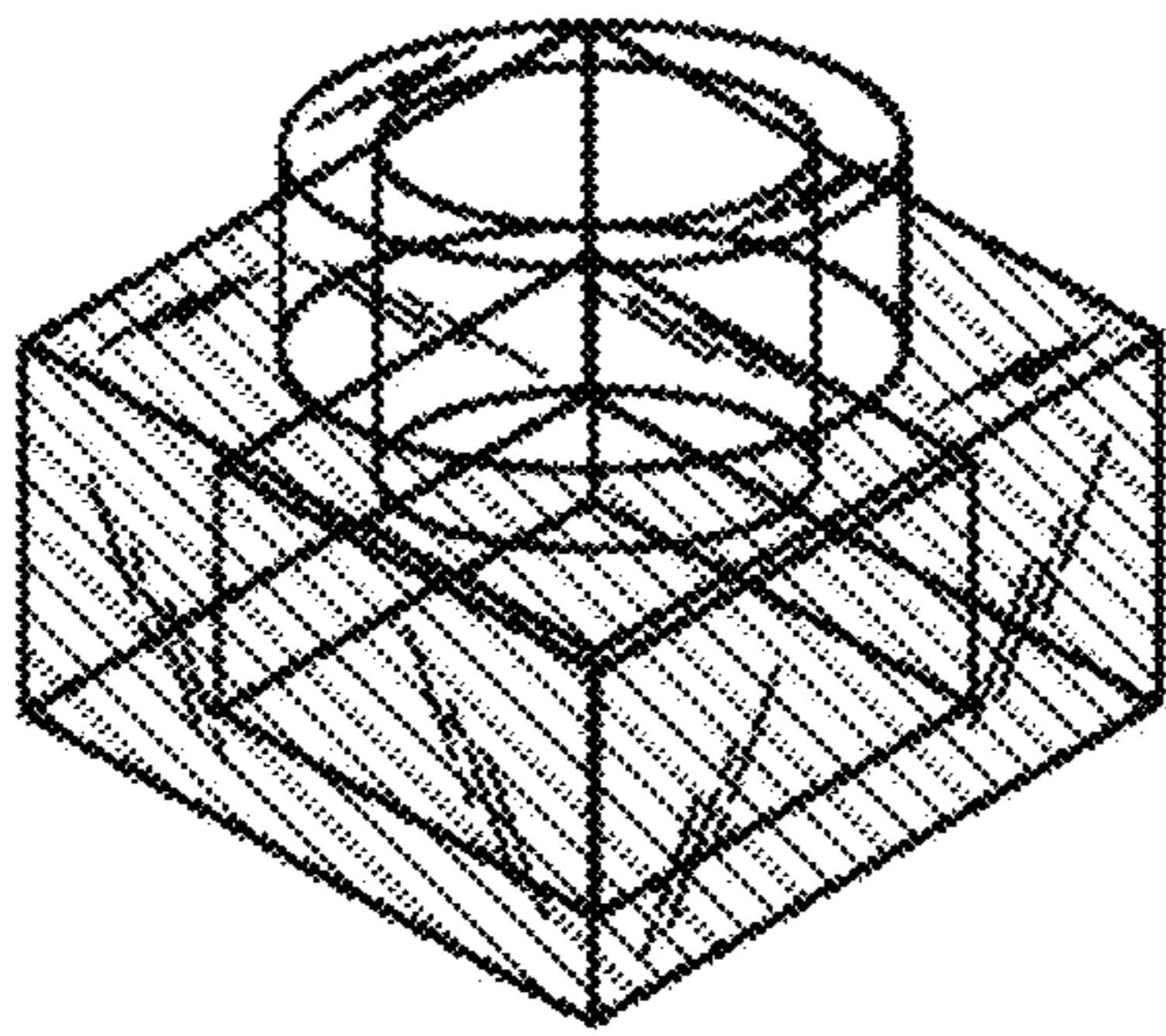


Fig. 3

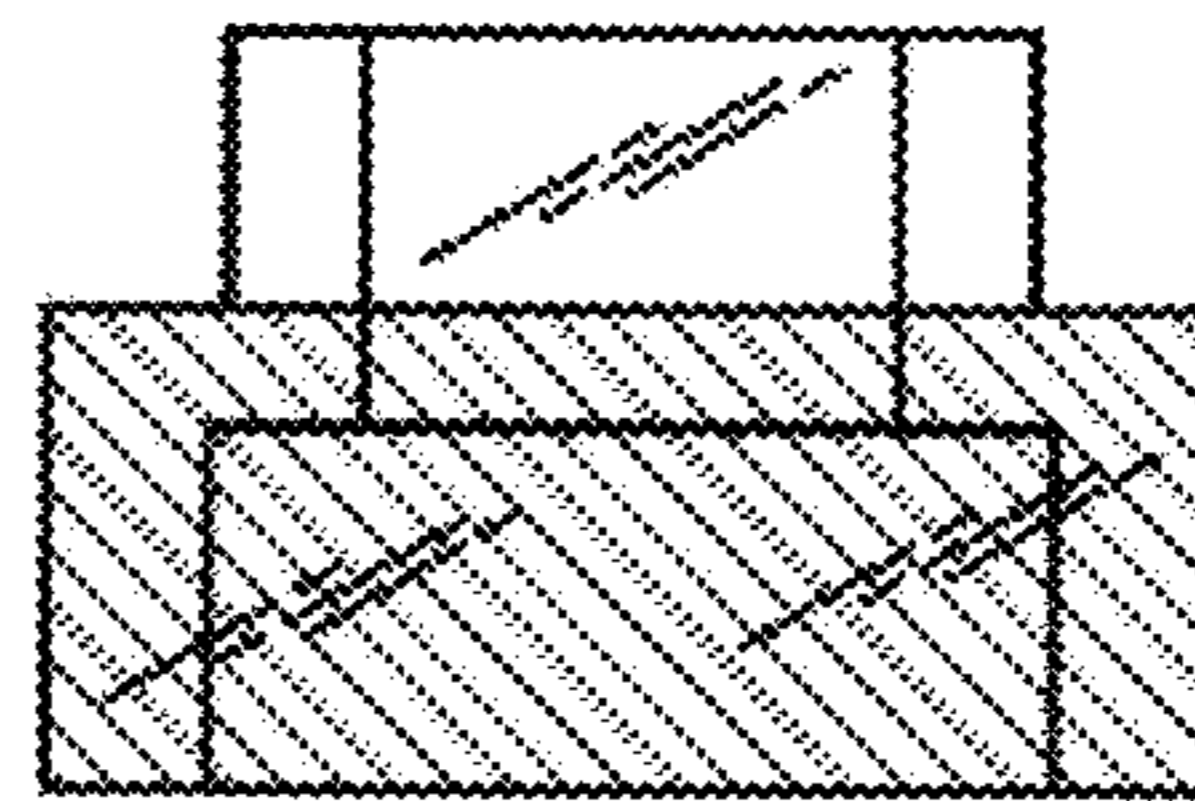


Fig. 4

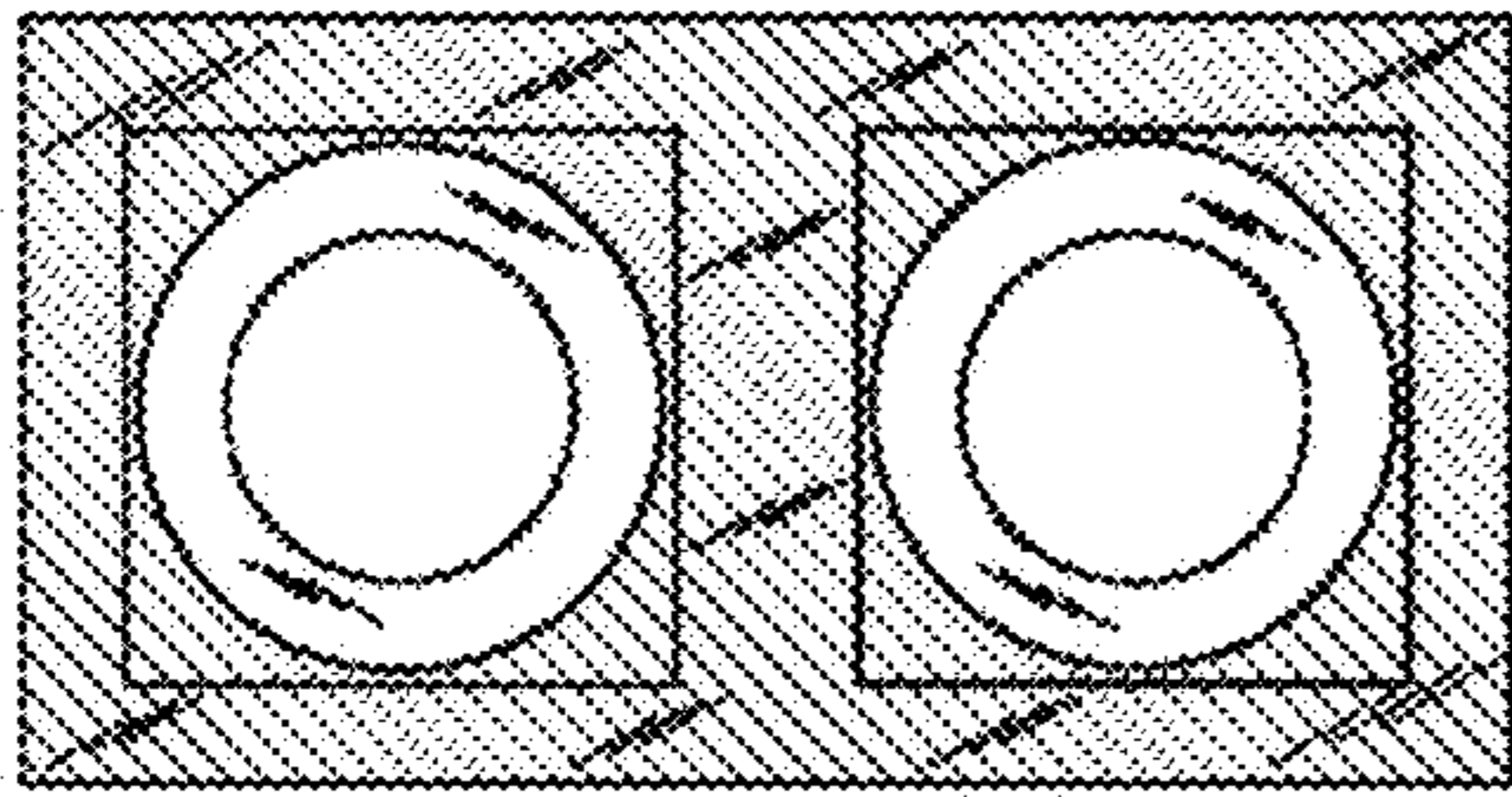


Fig. 5

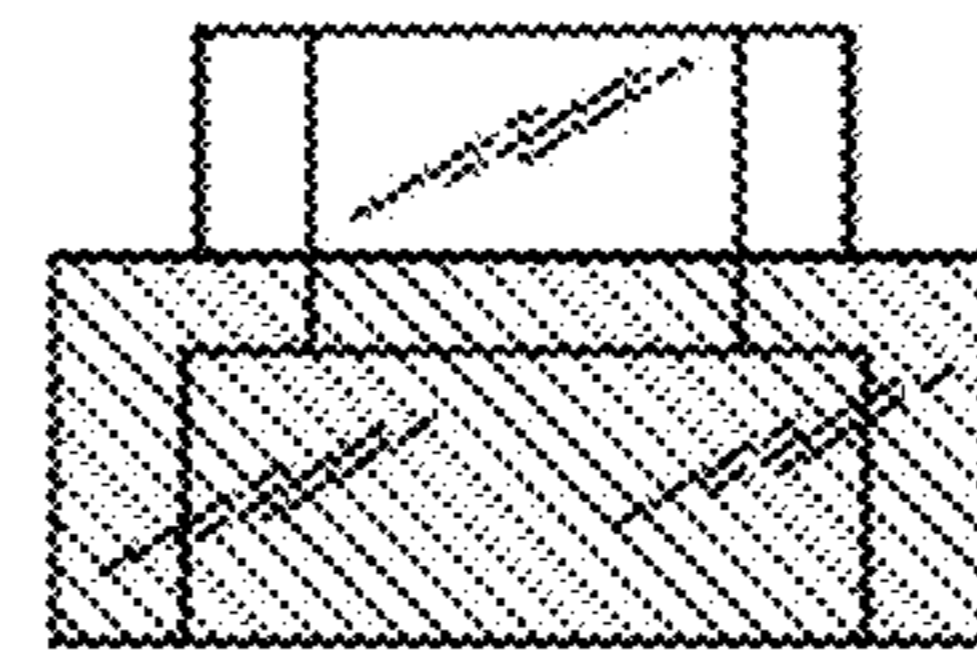


Fig. 8

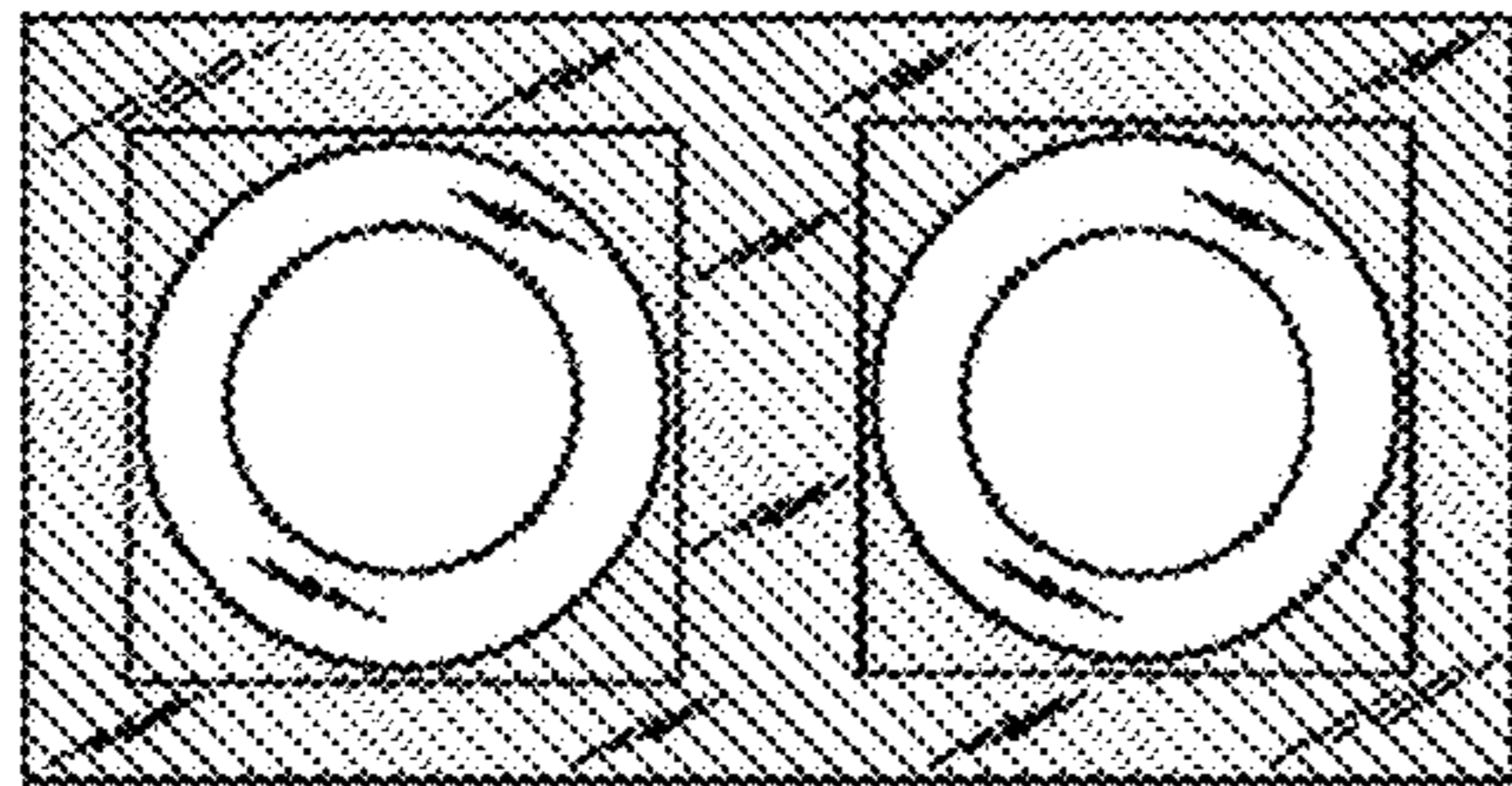


Fig. 6

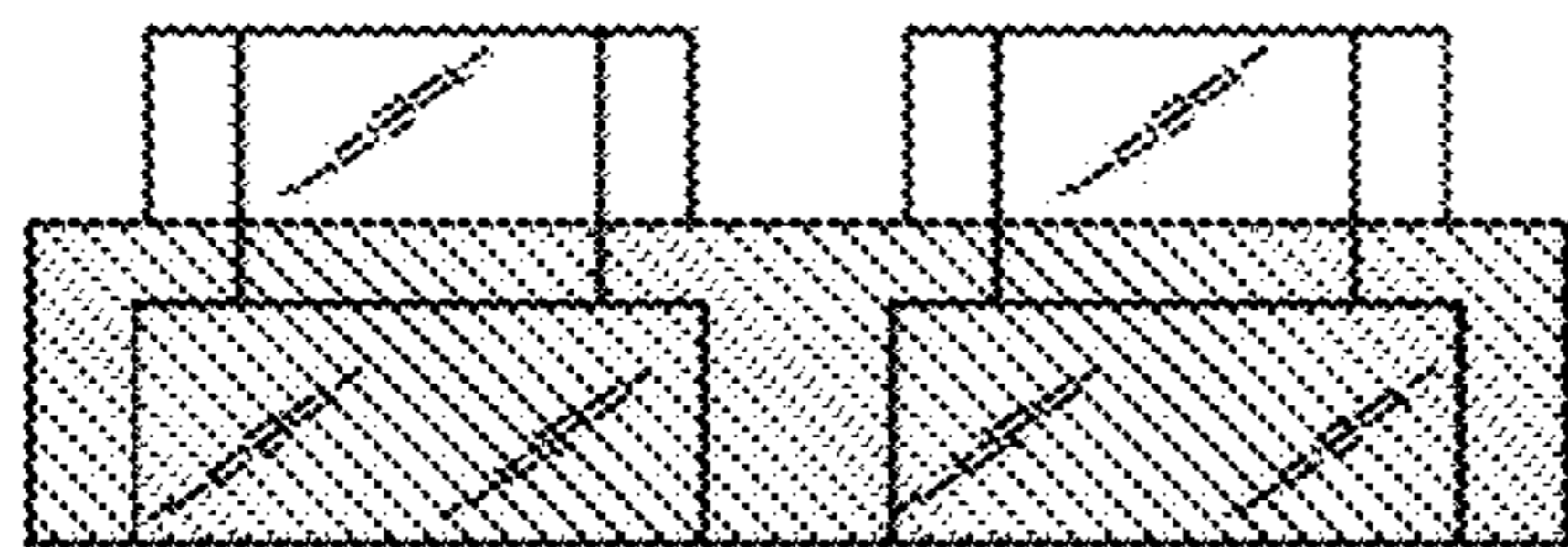


Fig. 7

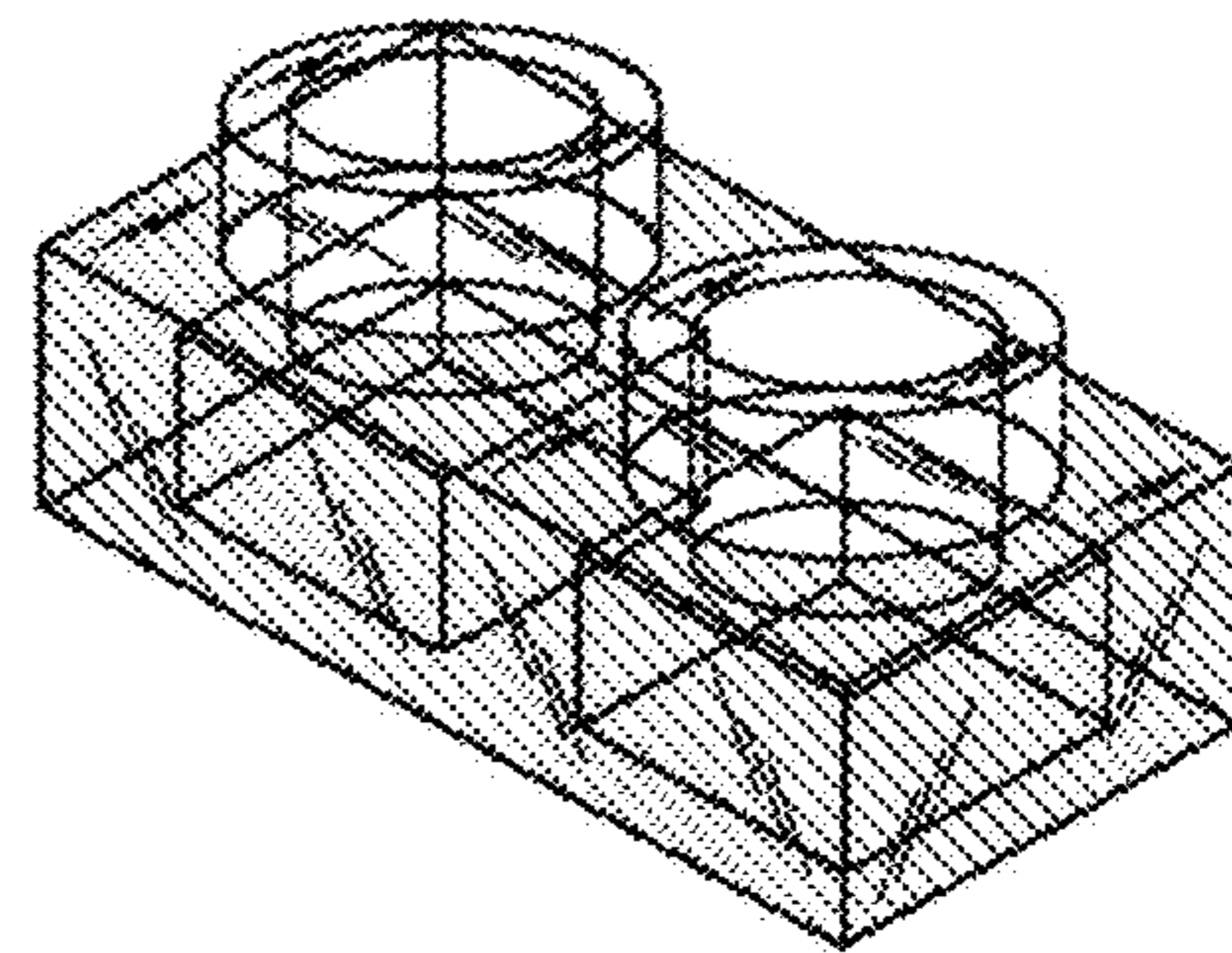


Fig. 9

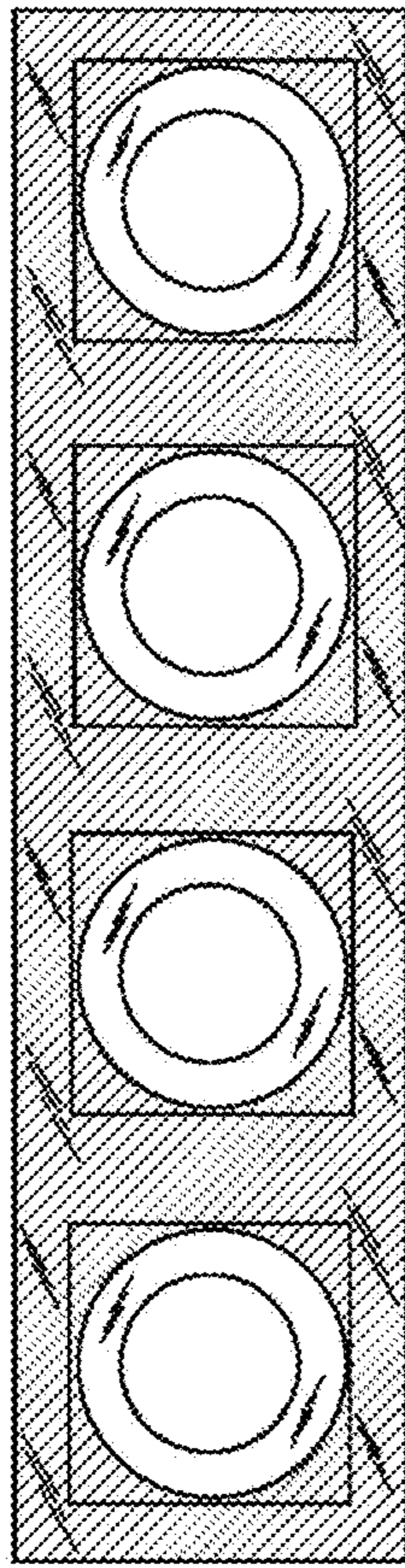


Fig. 10

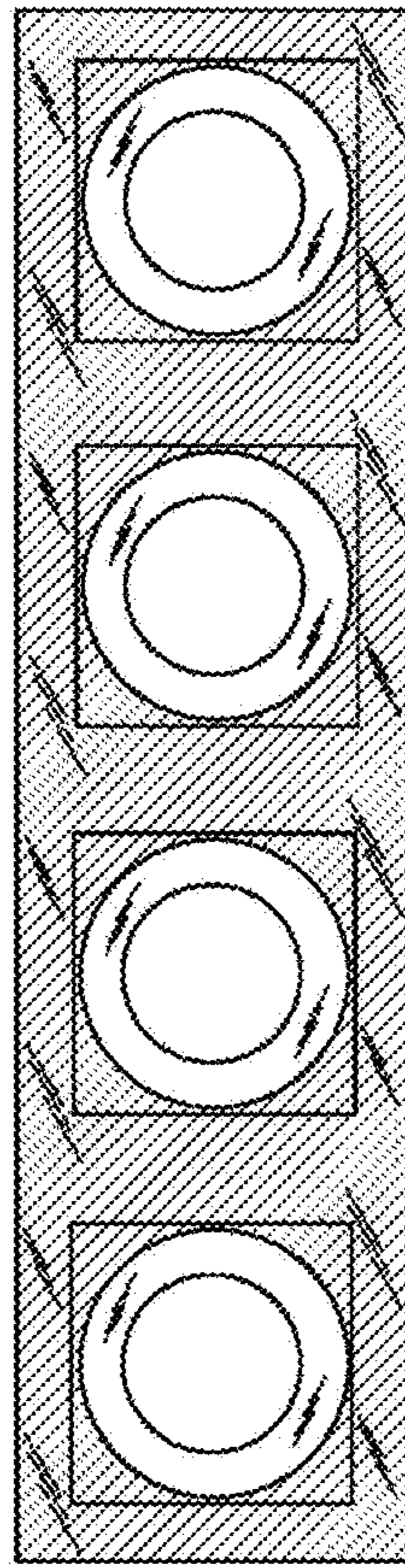


Fig. 11

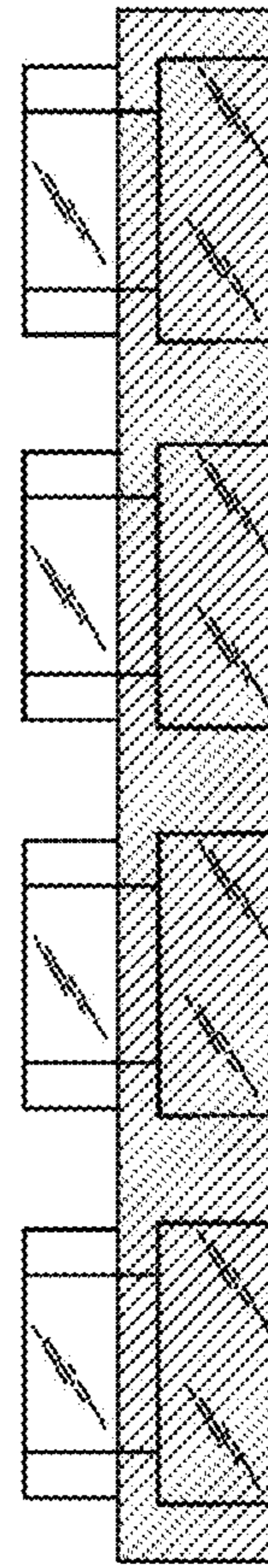


Fig. 12

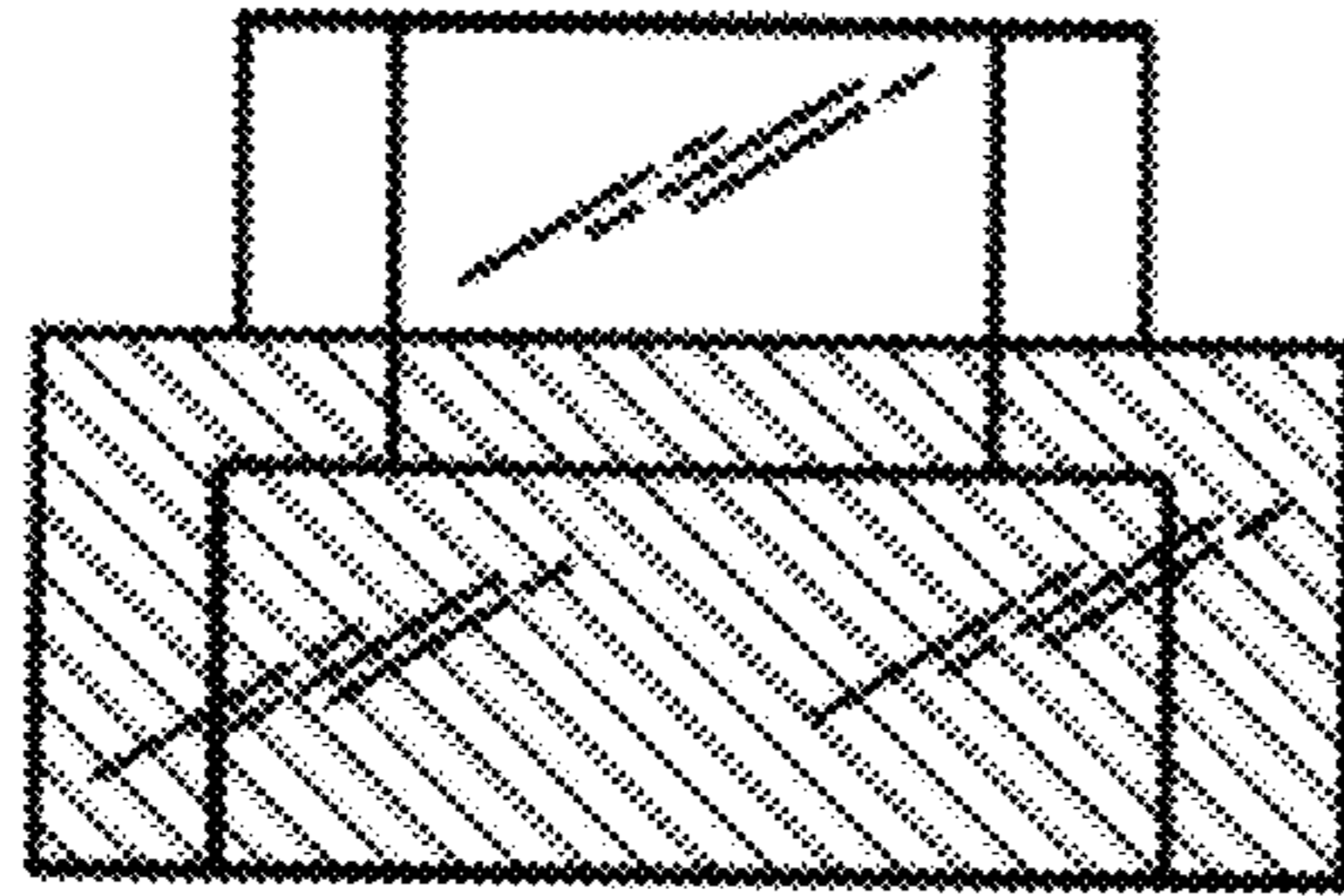


Fig. 13

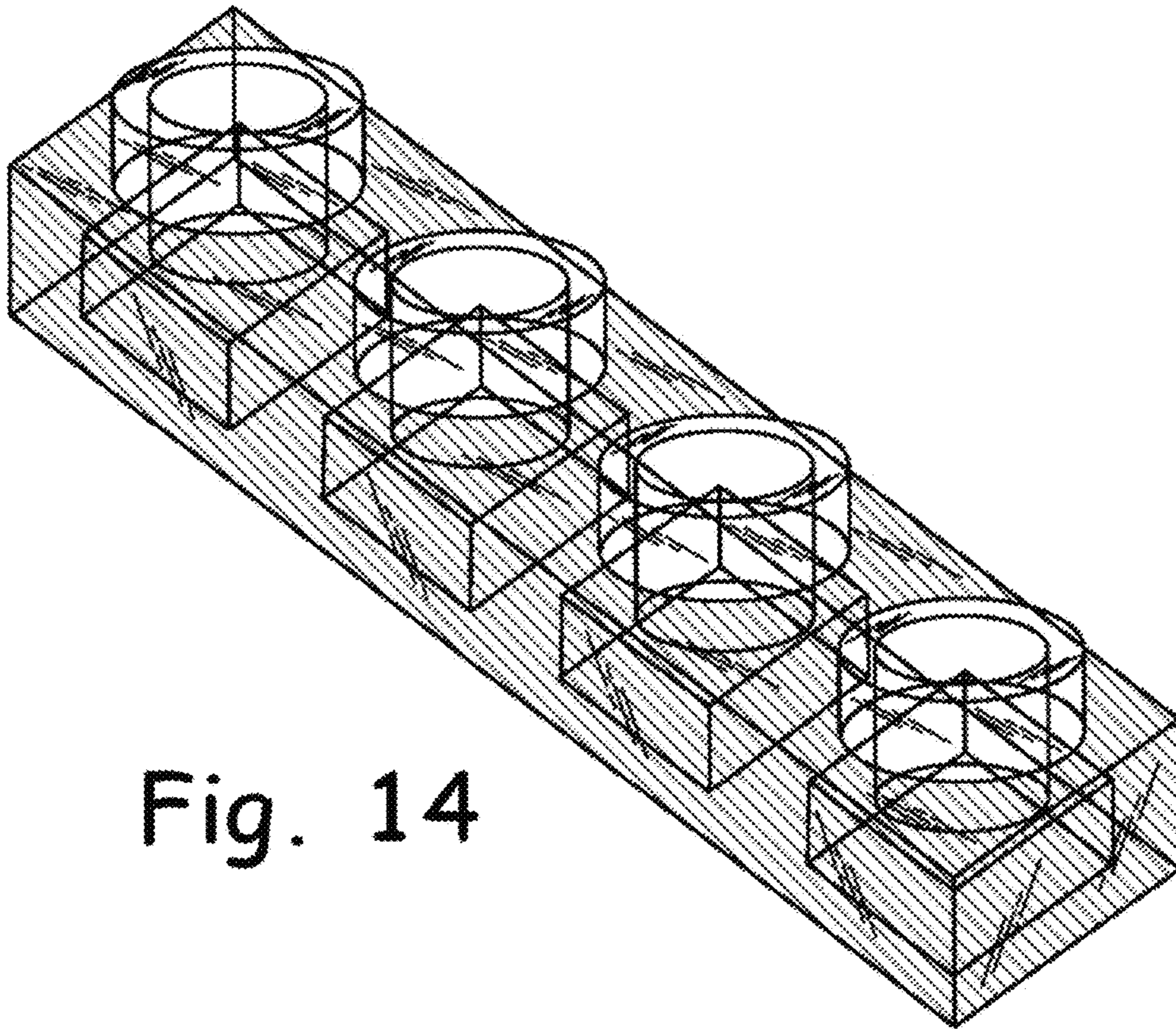


Fig. 14

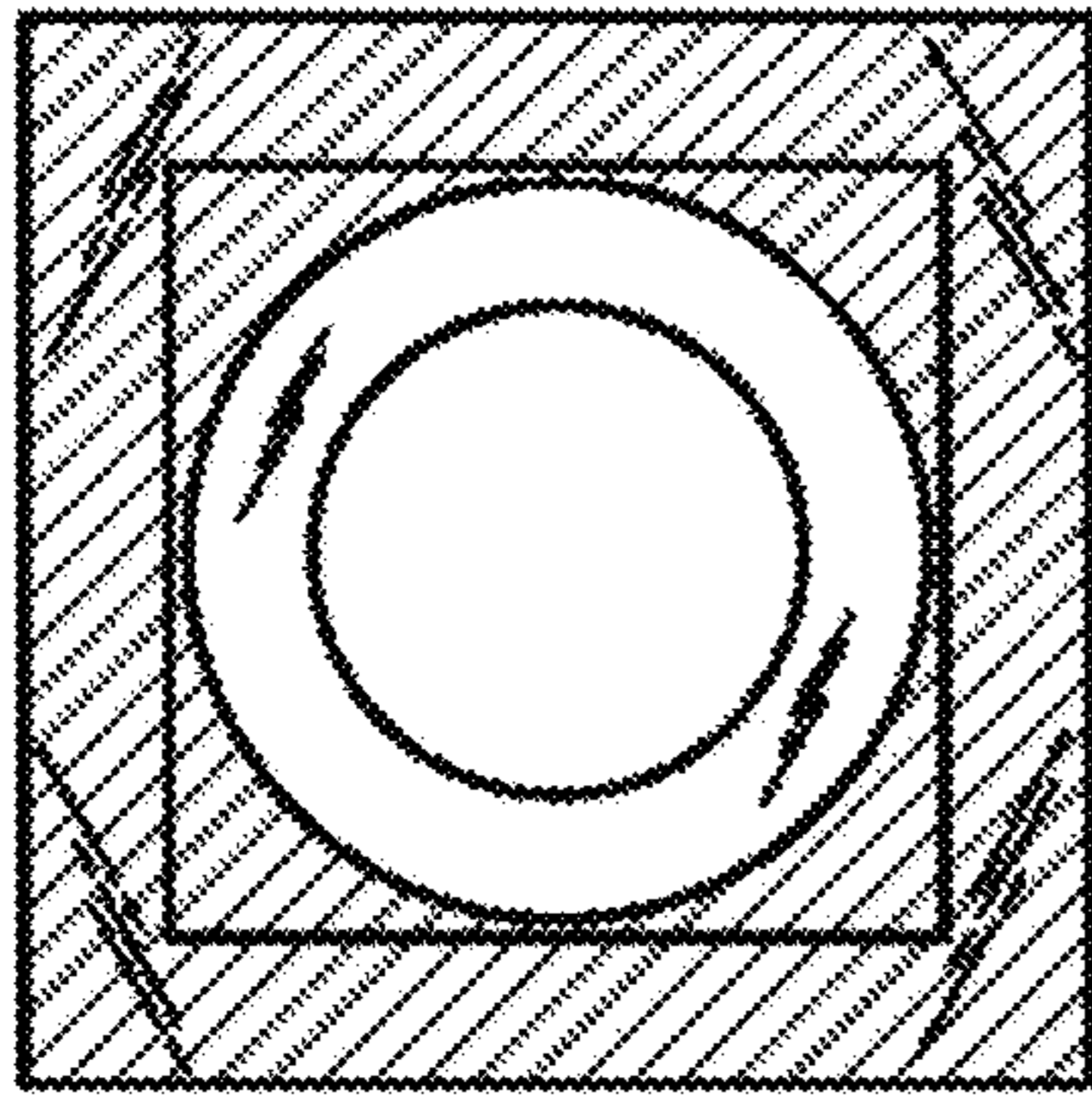


Fig. 15

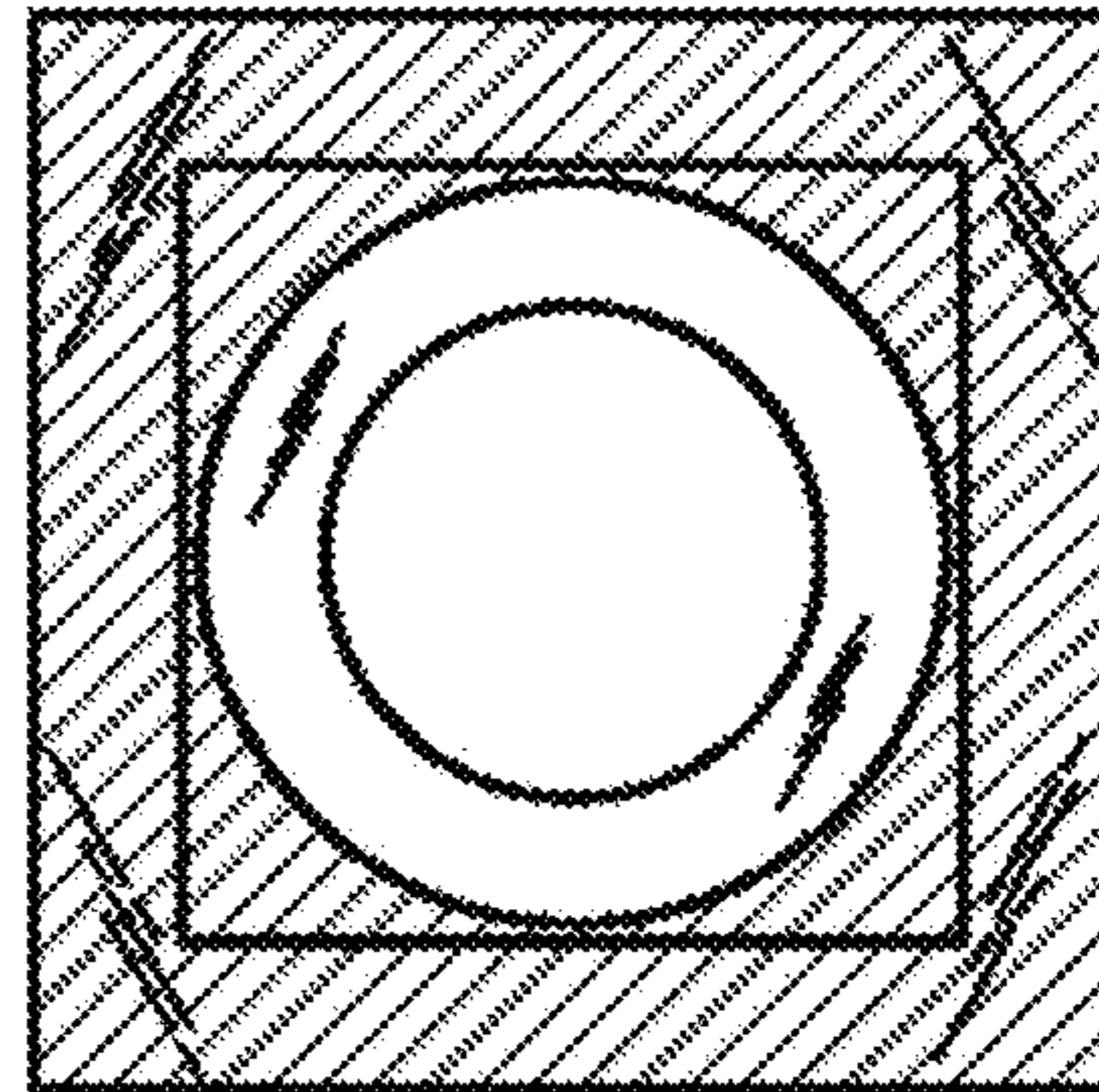


Fig. 16

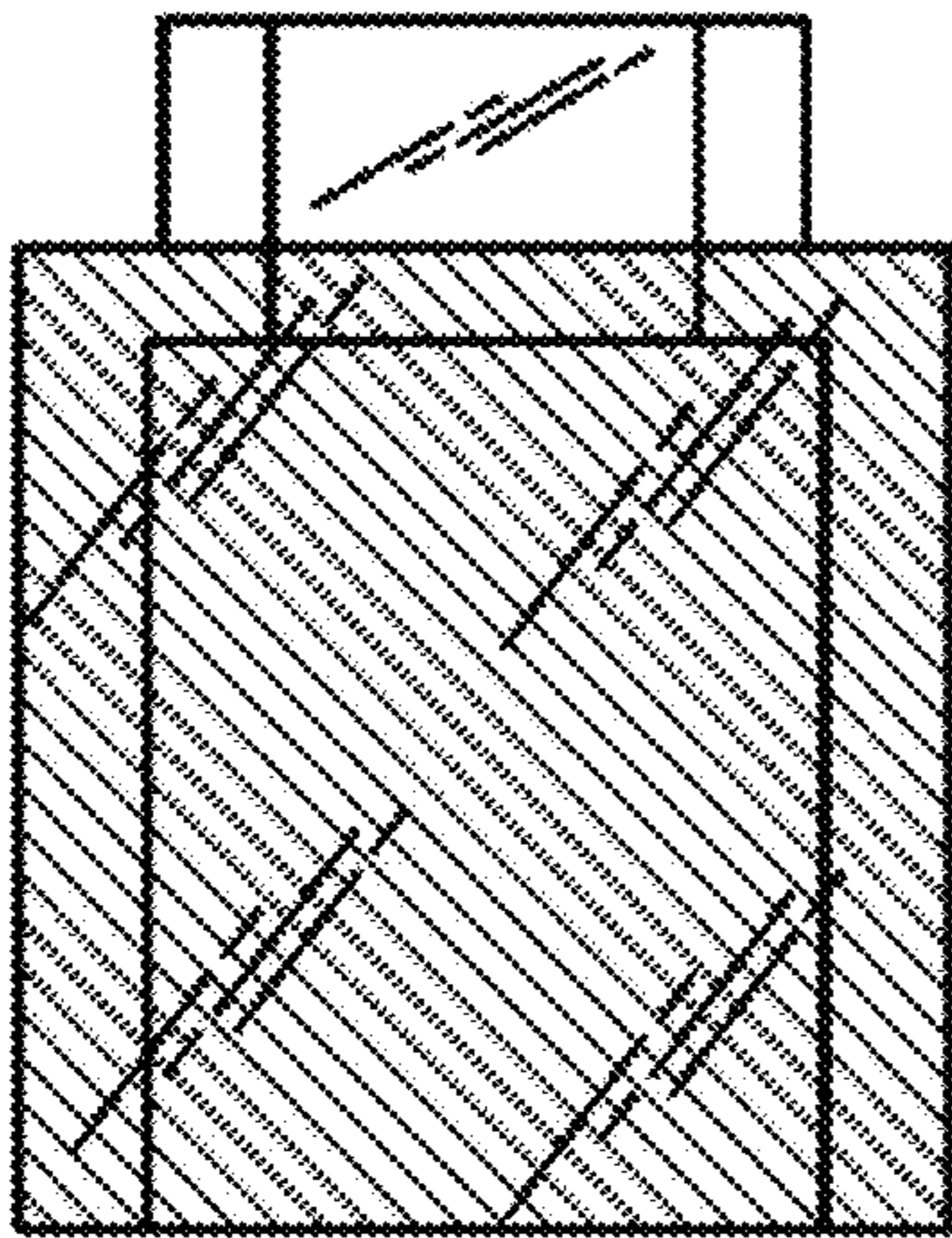


Fig. 17

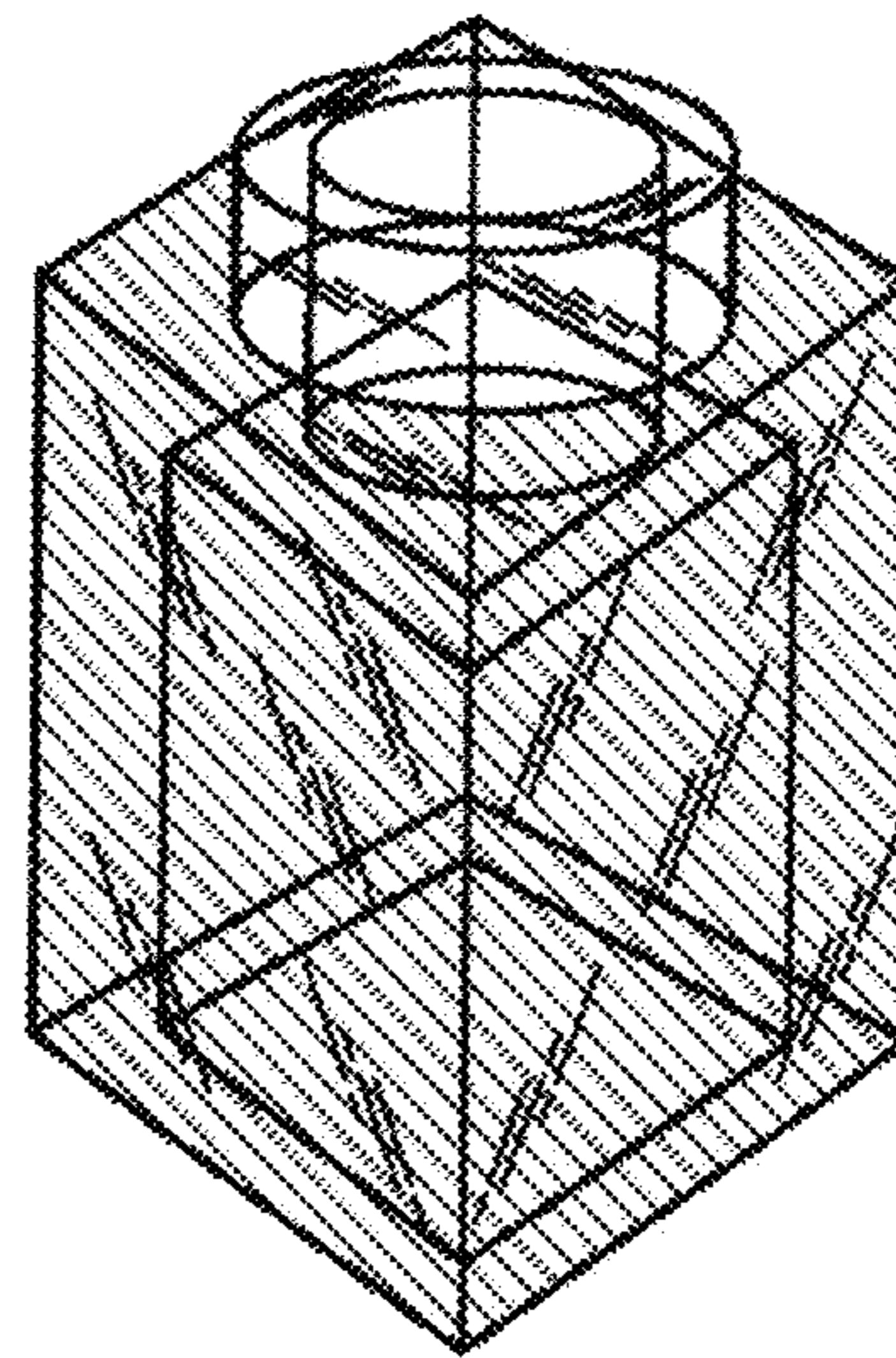


Fig. 18

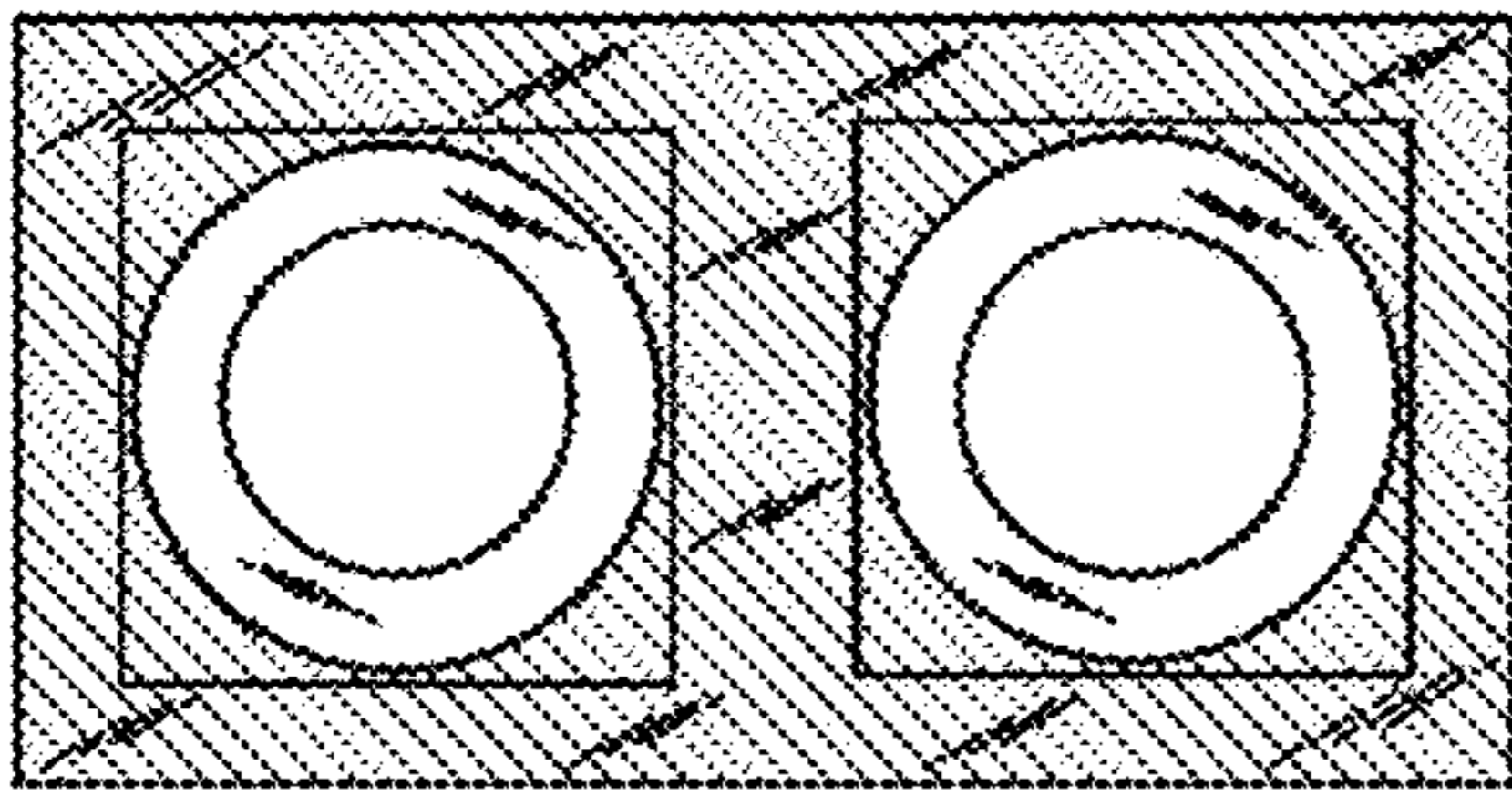


Fig. 19

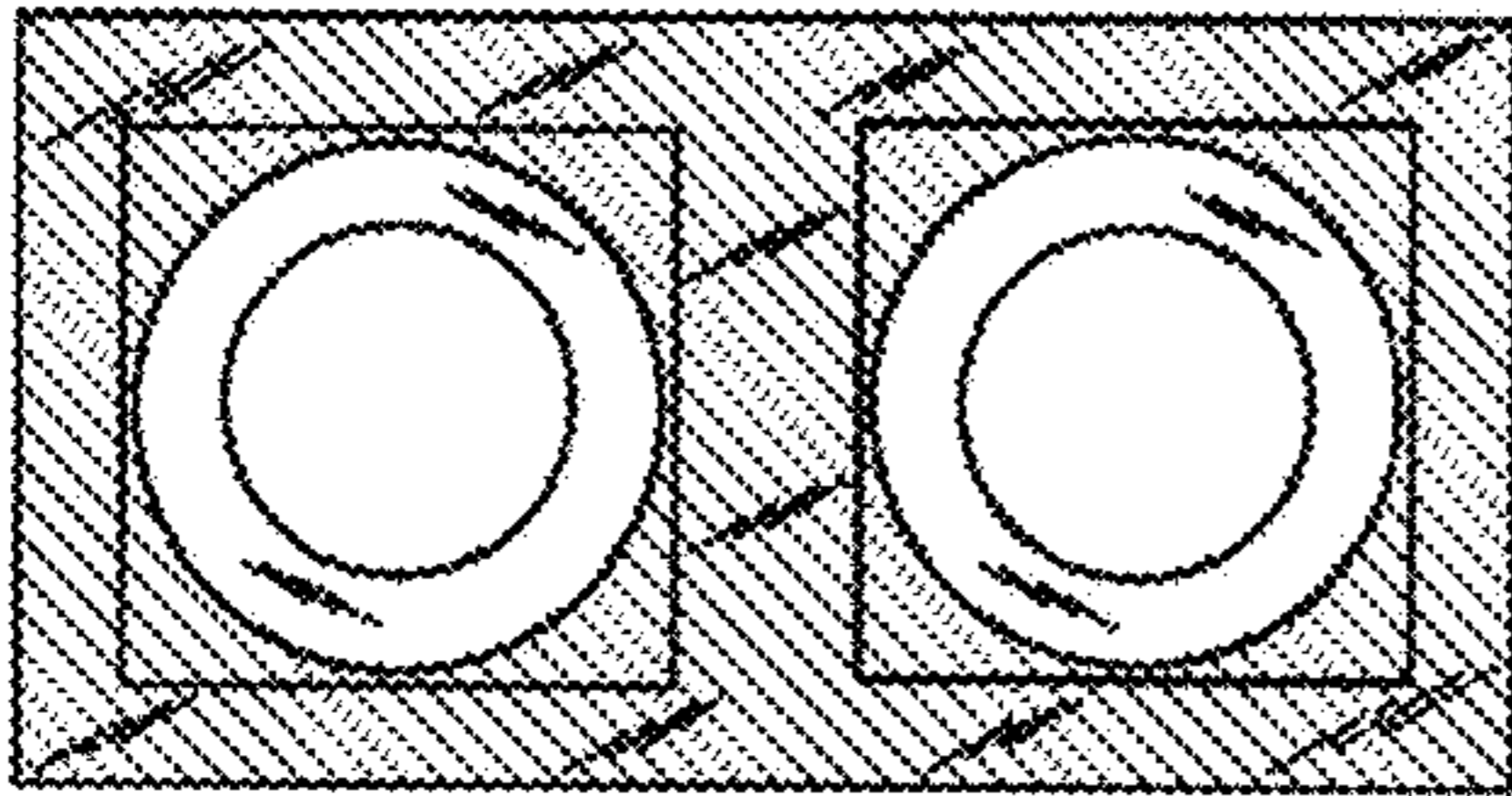


Fig. 20

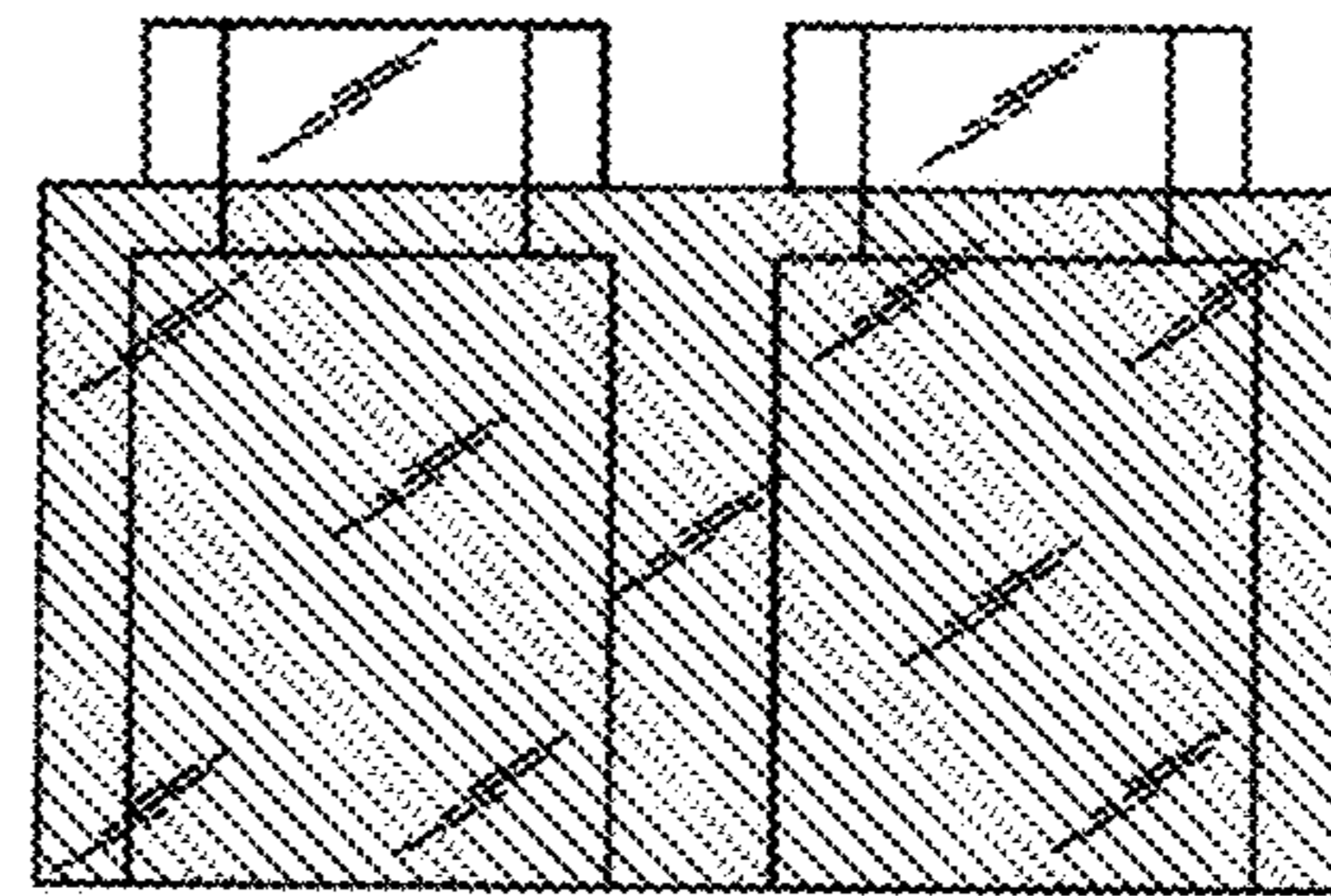


Fig. 21

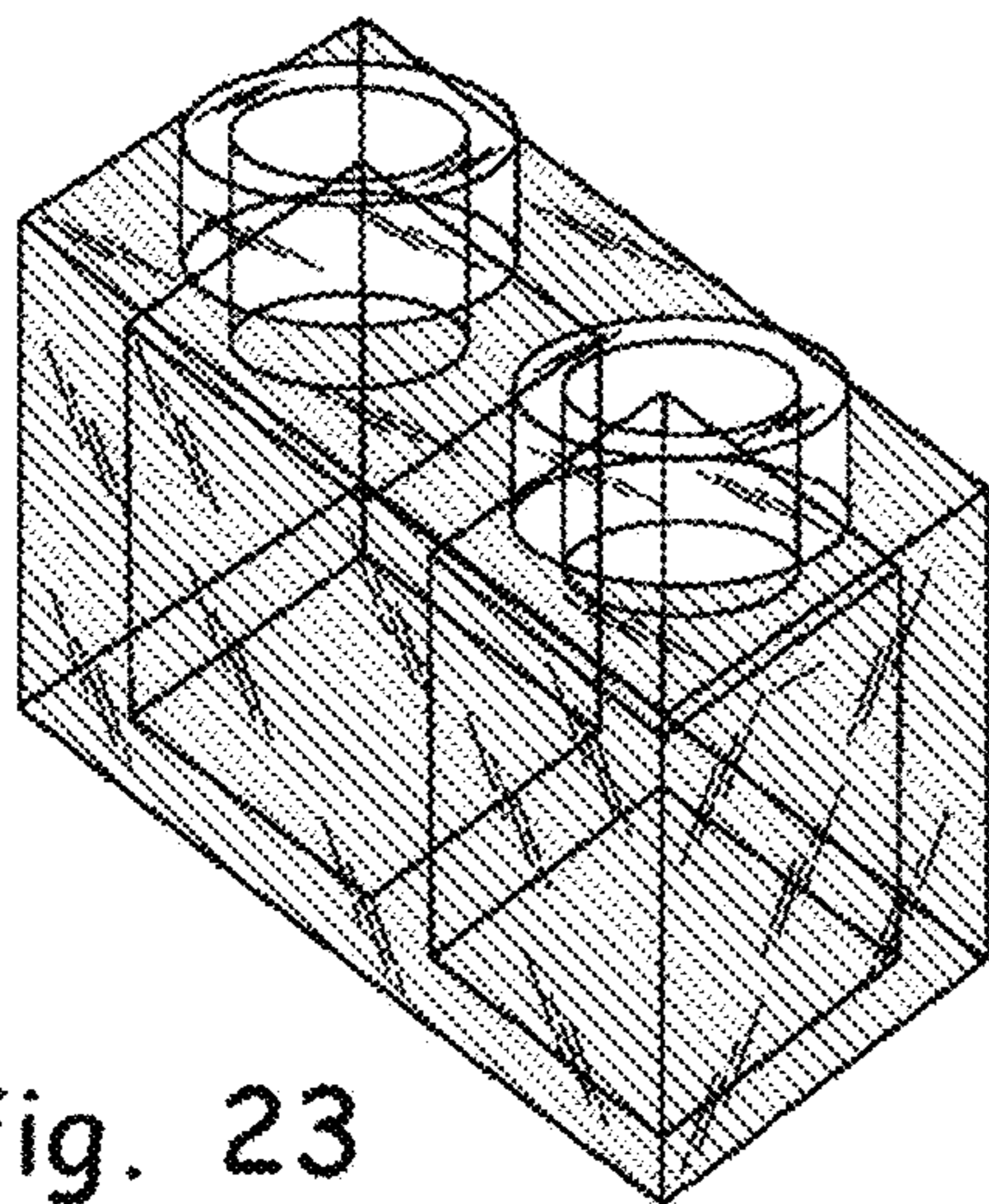


Fig. 23

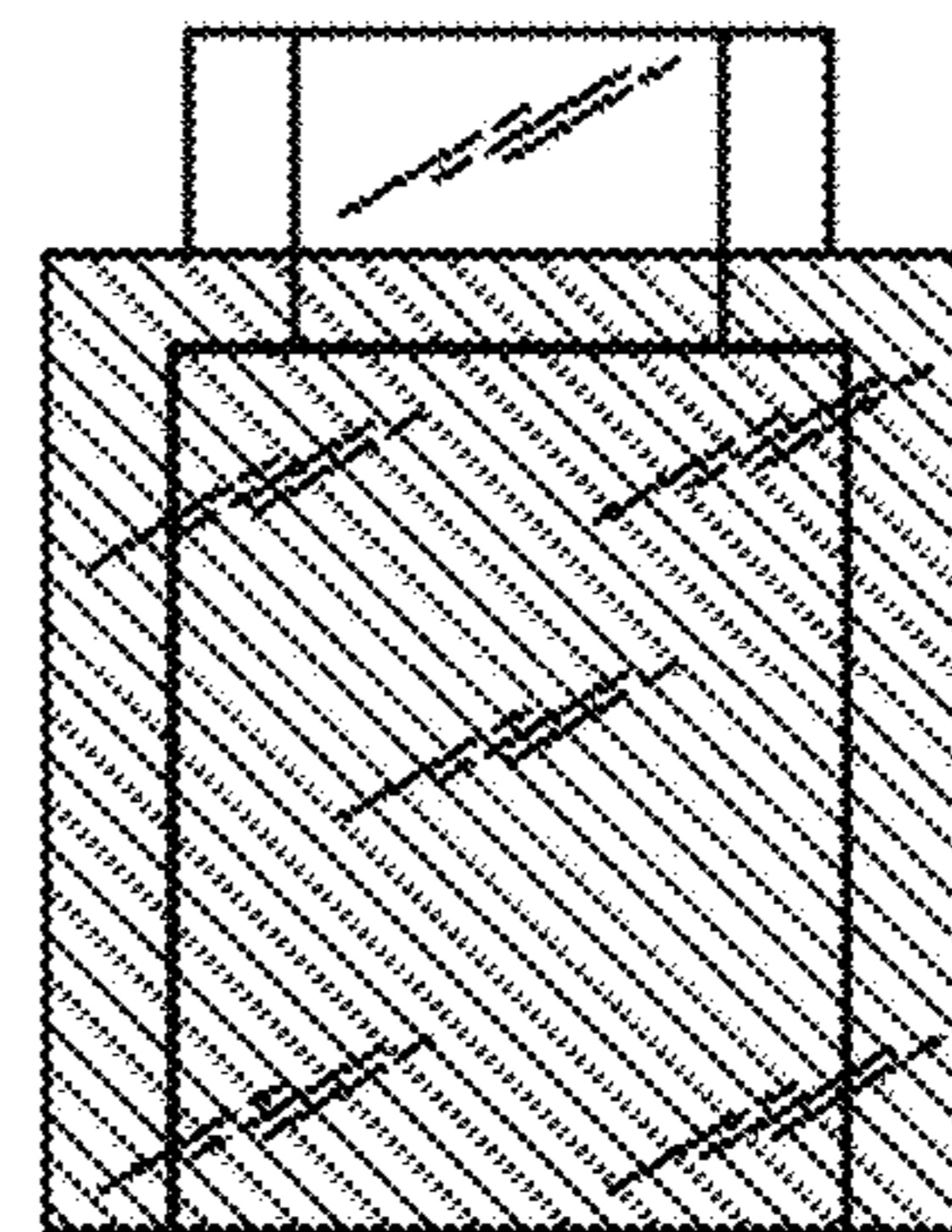


Fig. 22

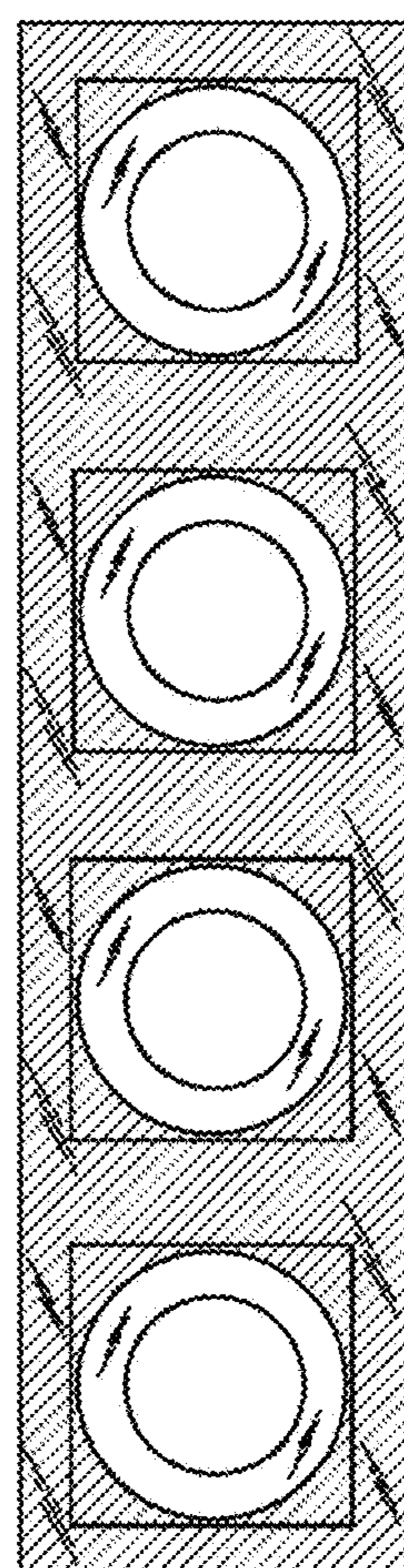
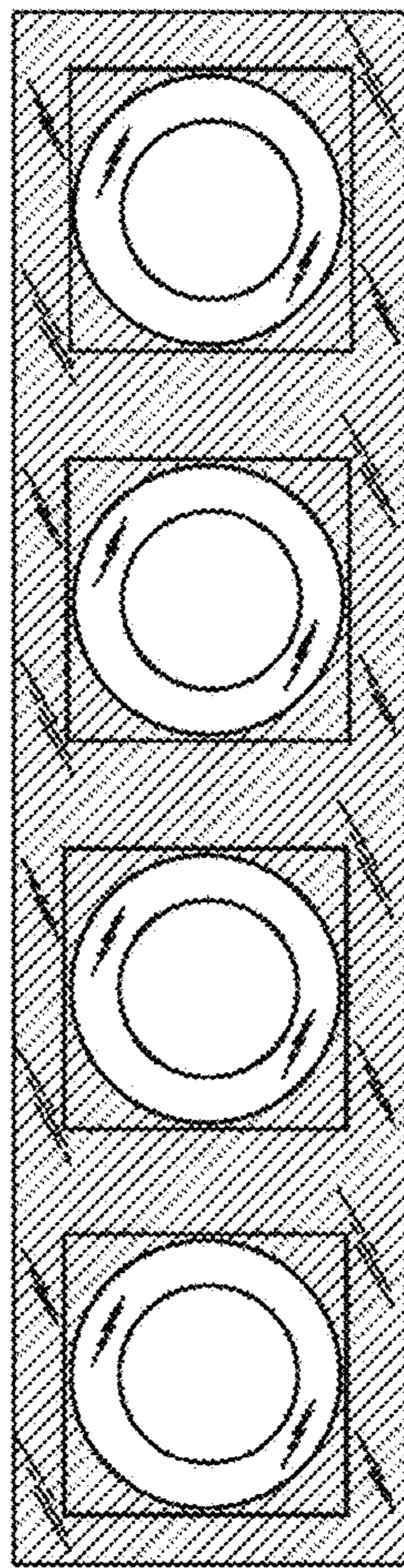
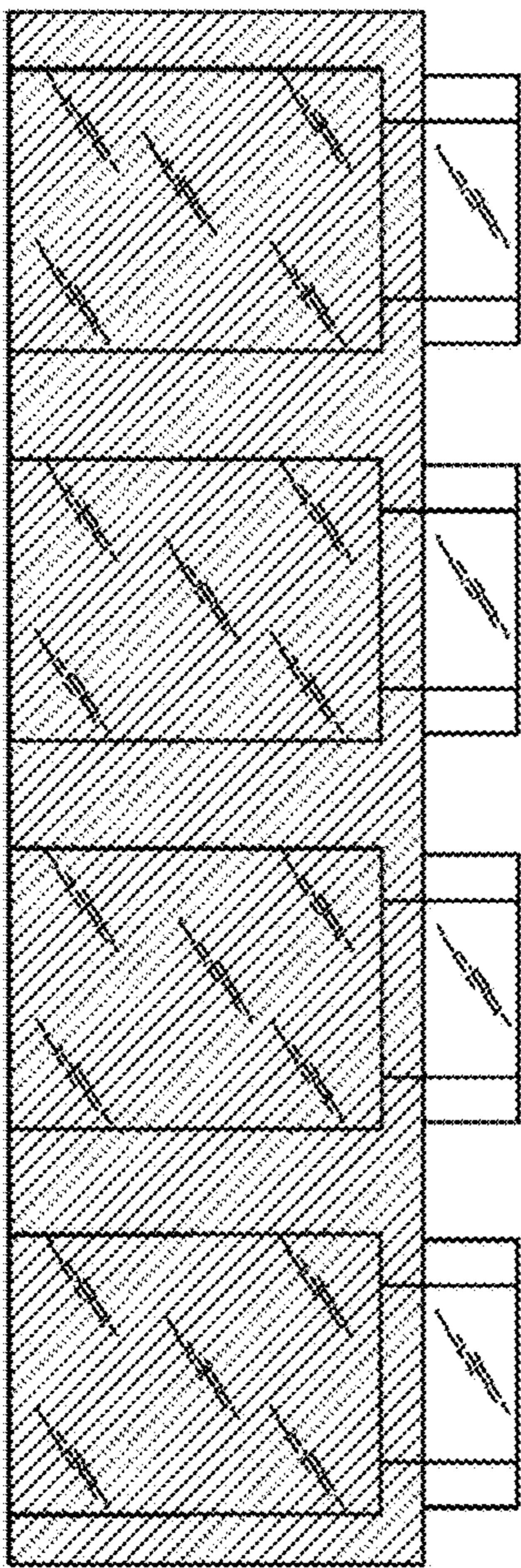


Fig. 24

Fig. 25

Fig. 26

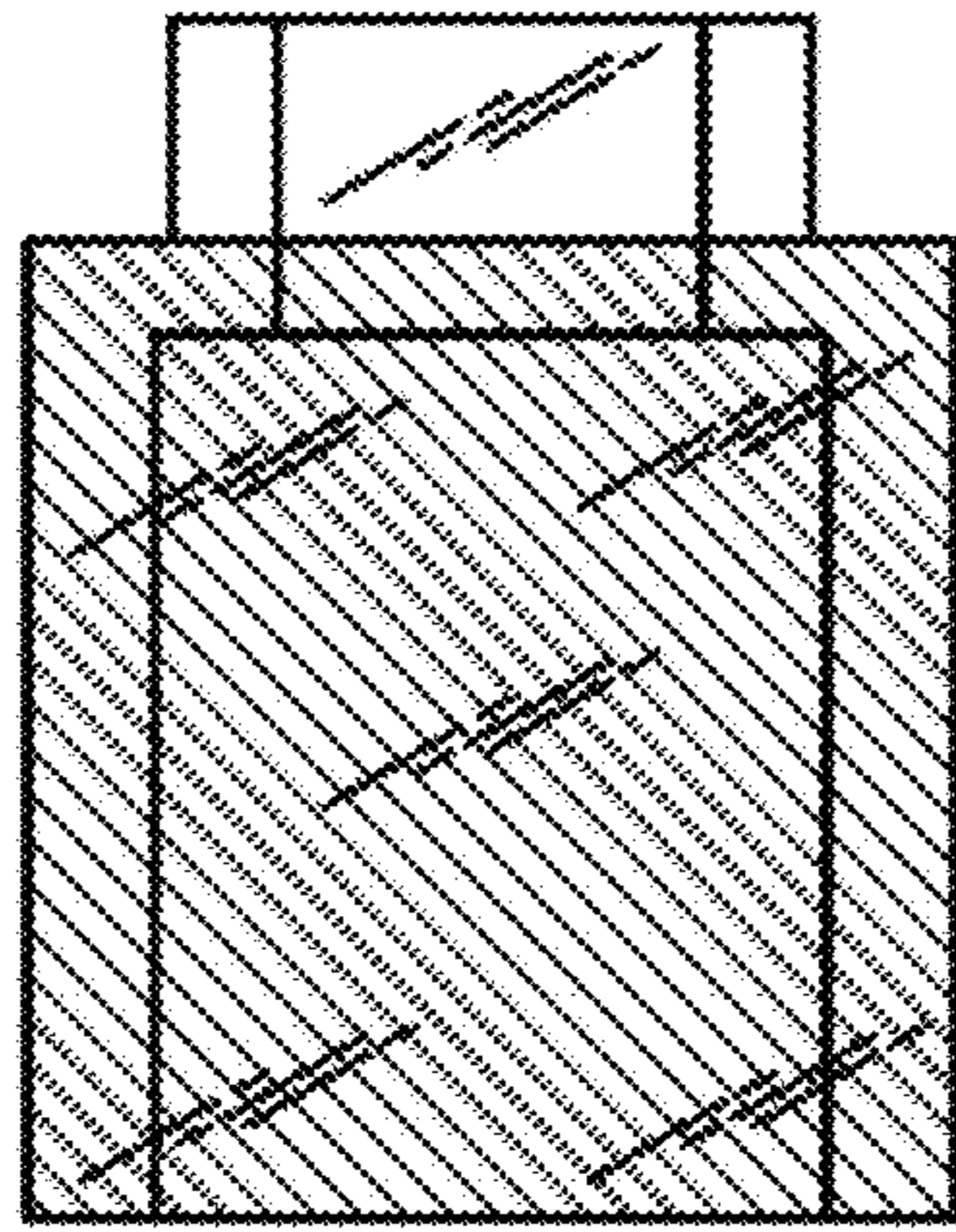


Fig. 27

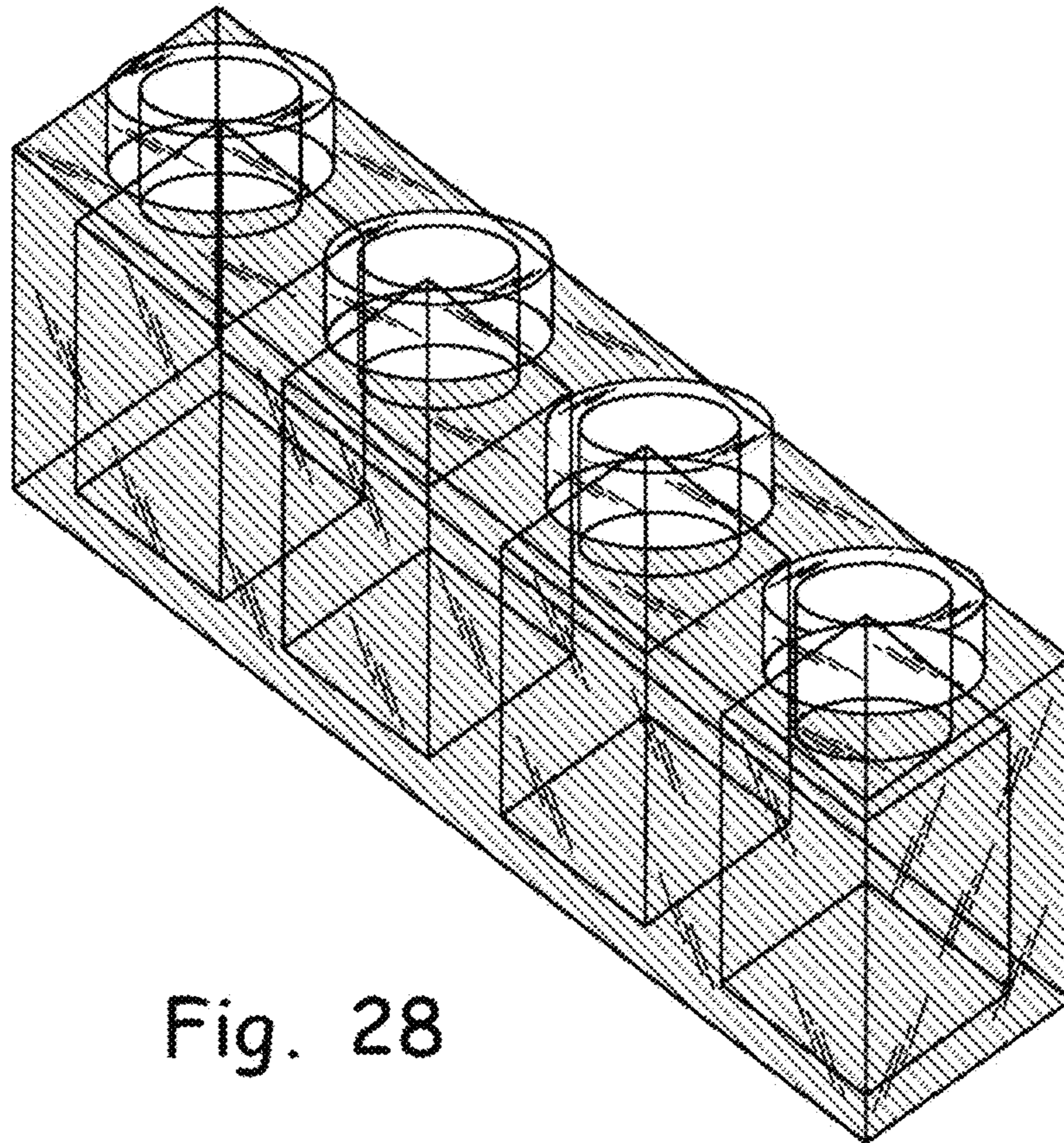


Fig. 28

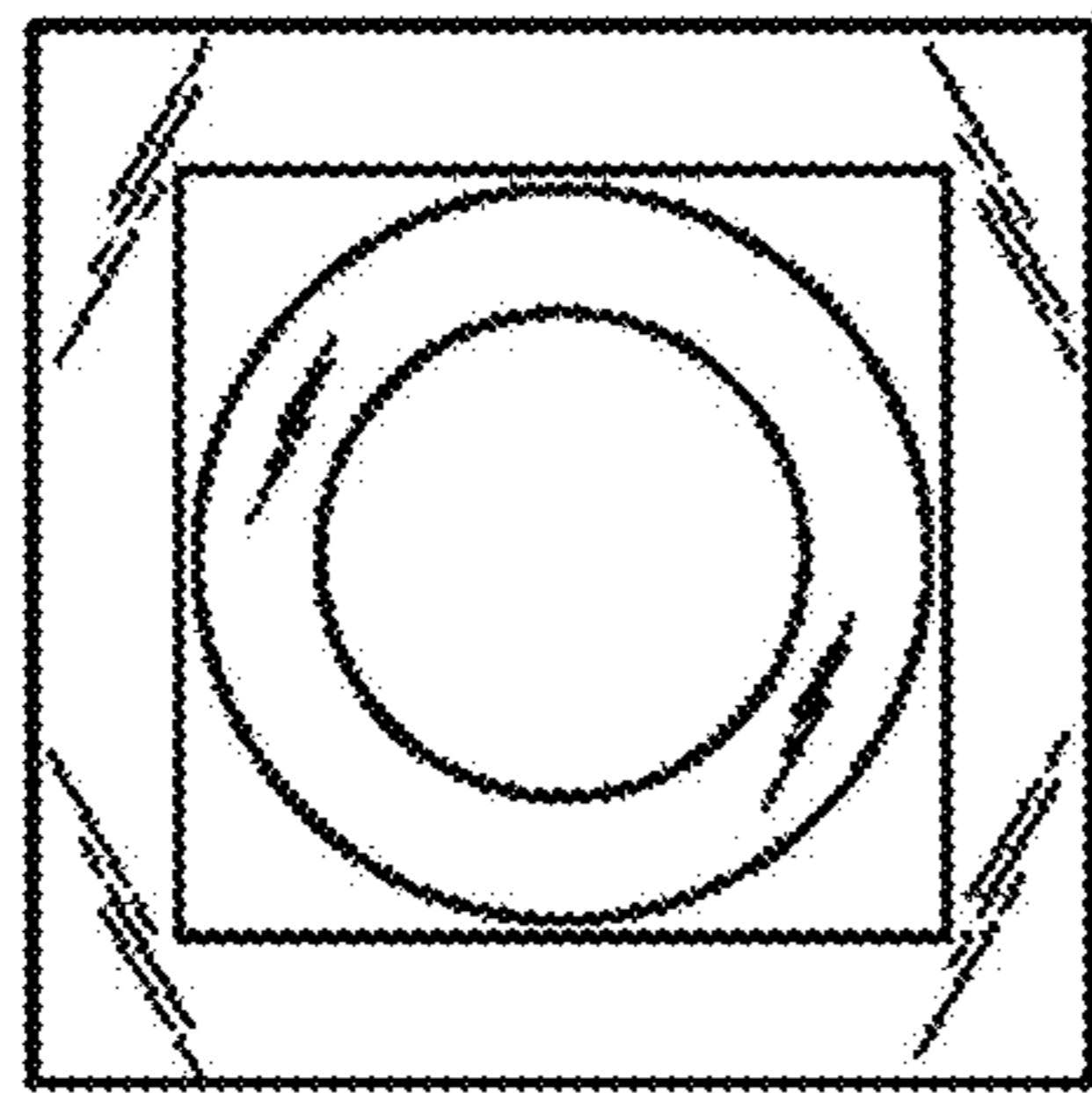


Fig. 29

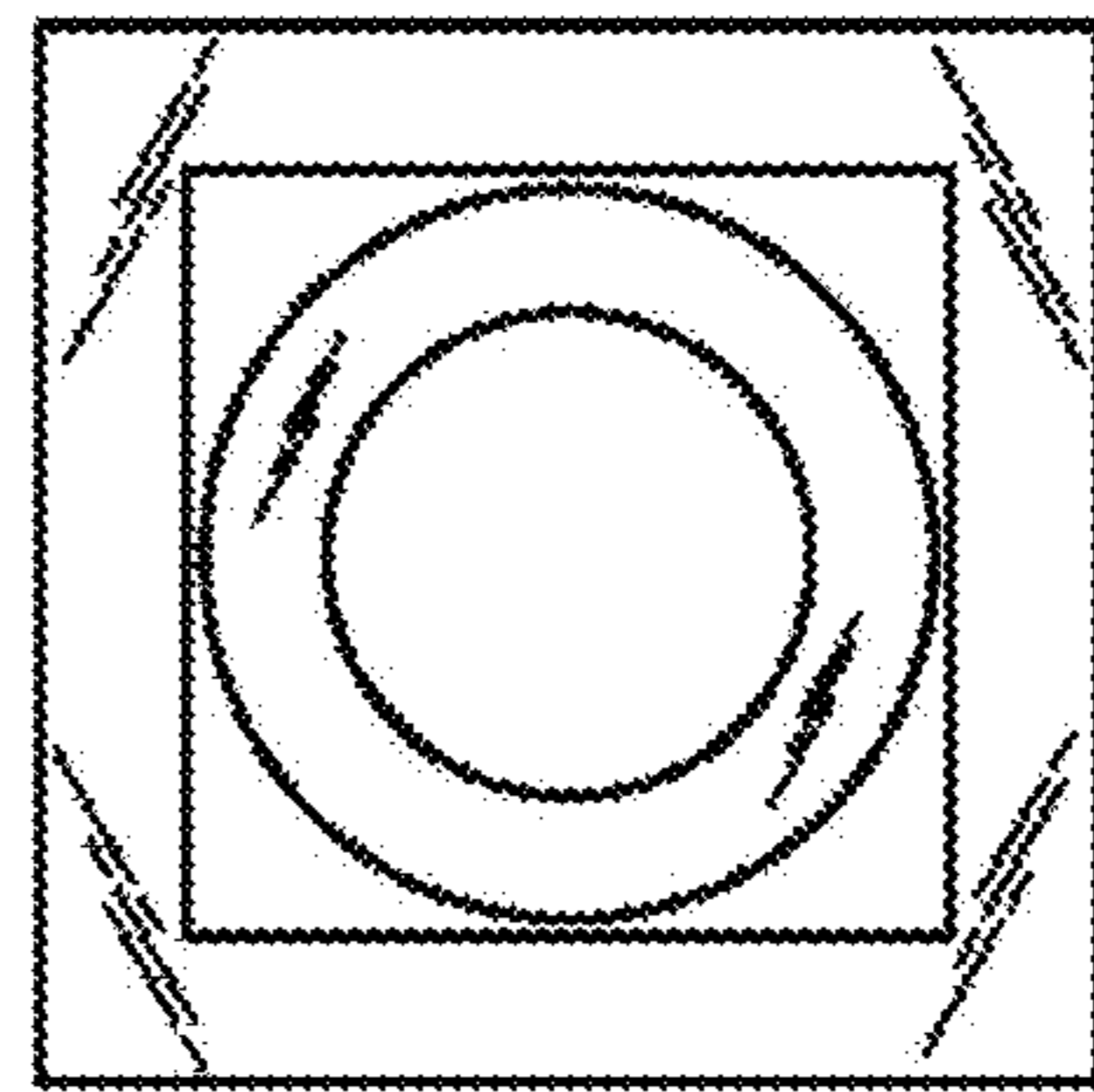


Fig. 30

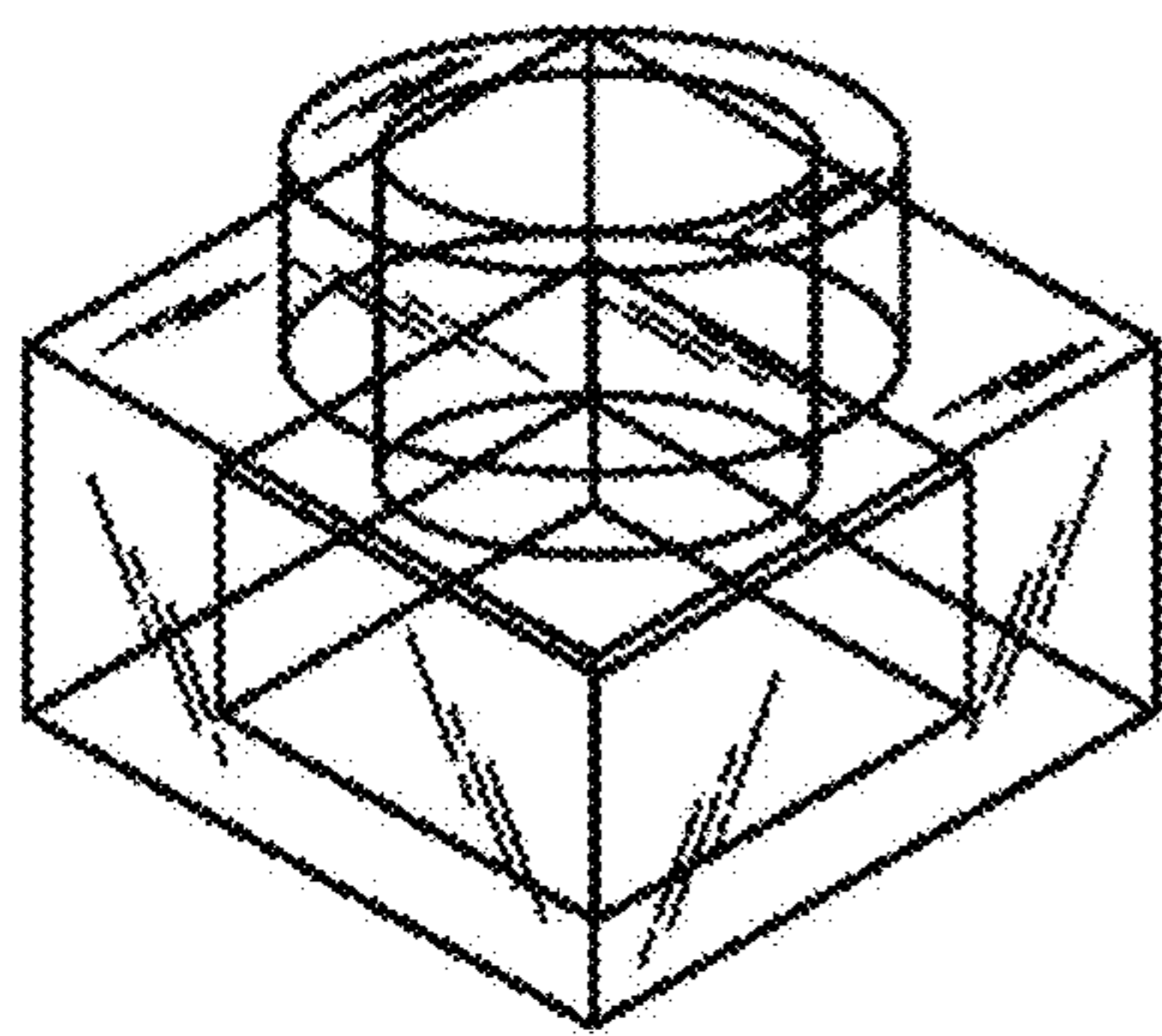


Fig. 31

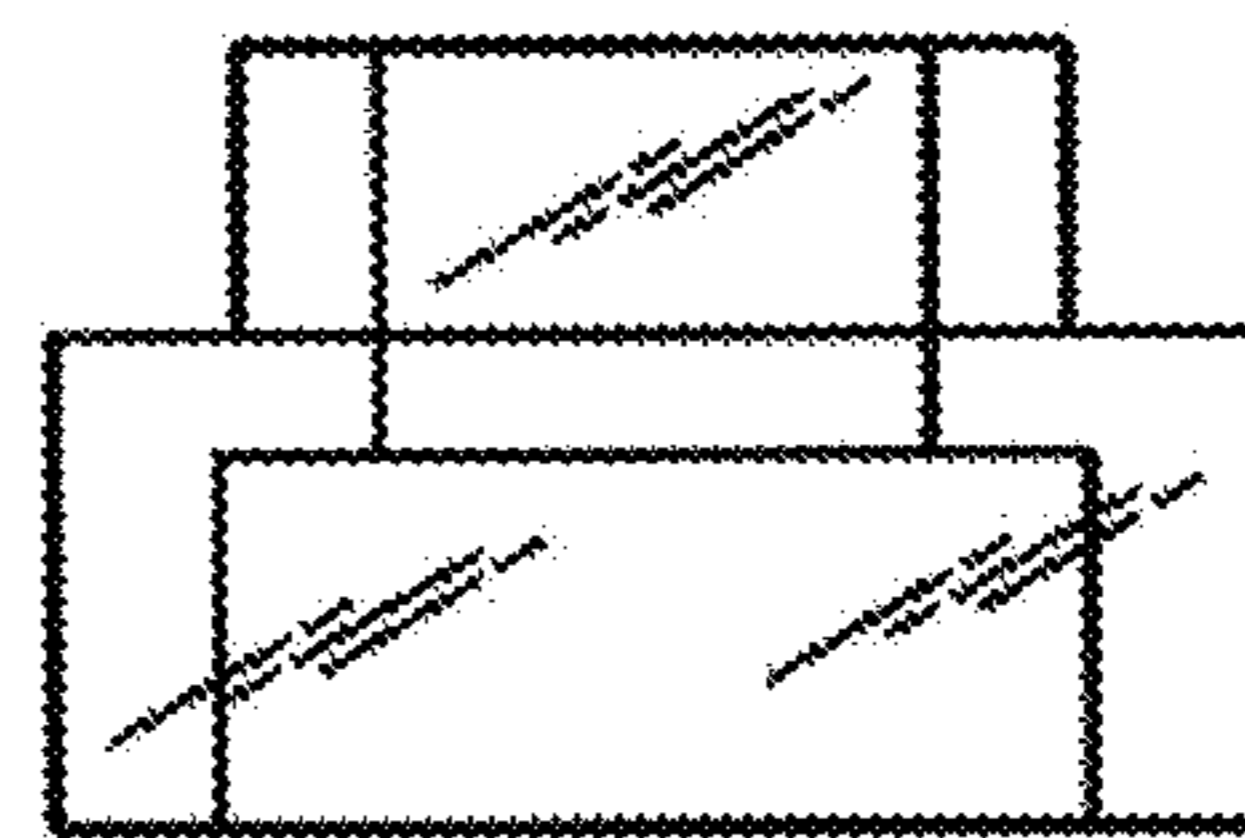


Fig. 32

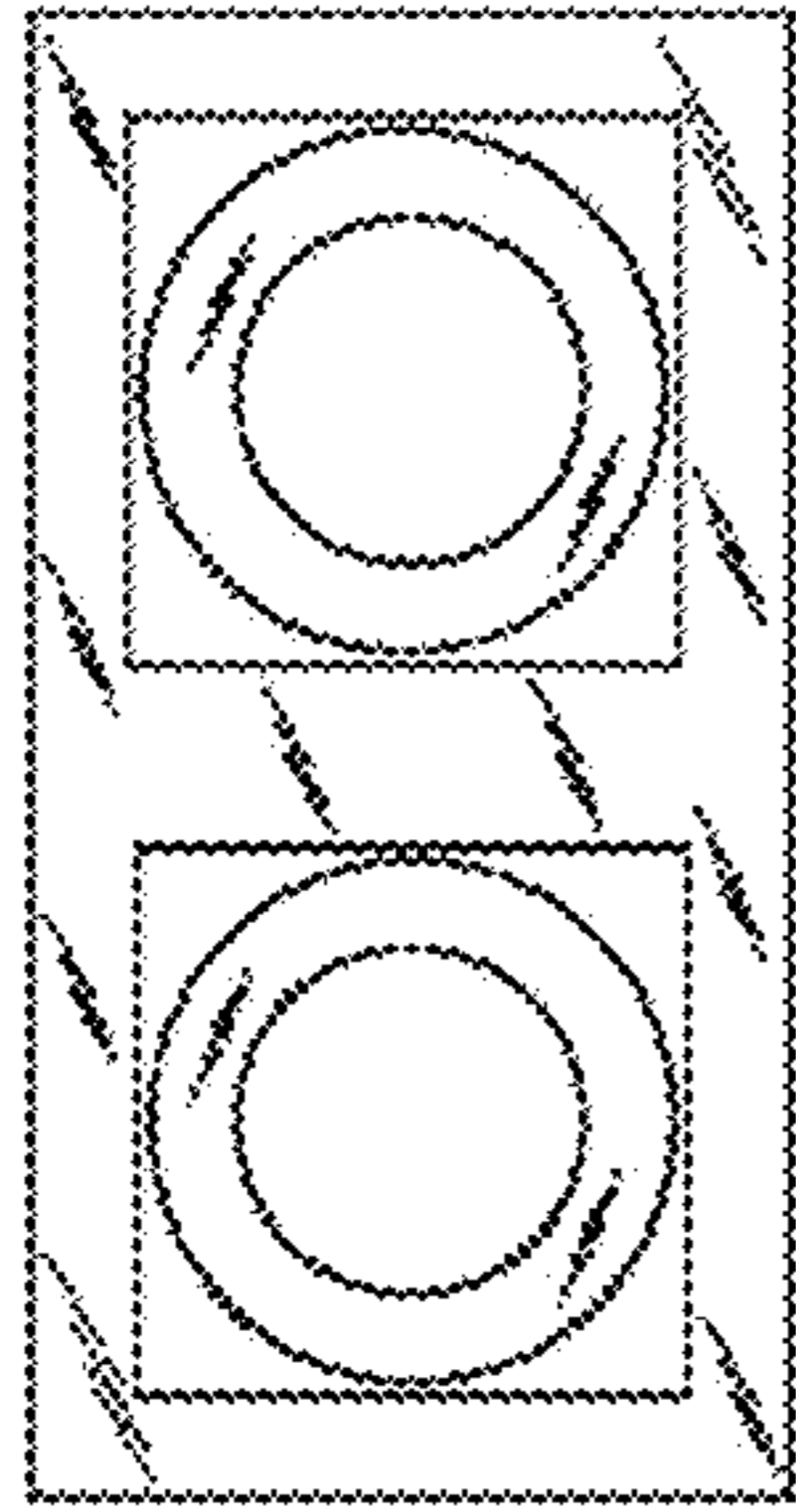


Fig. 33

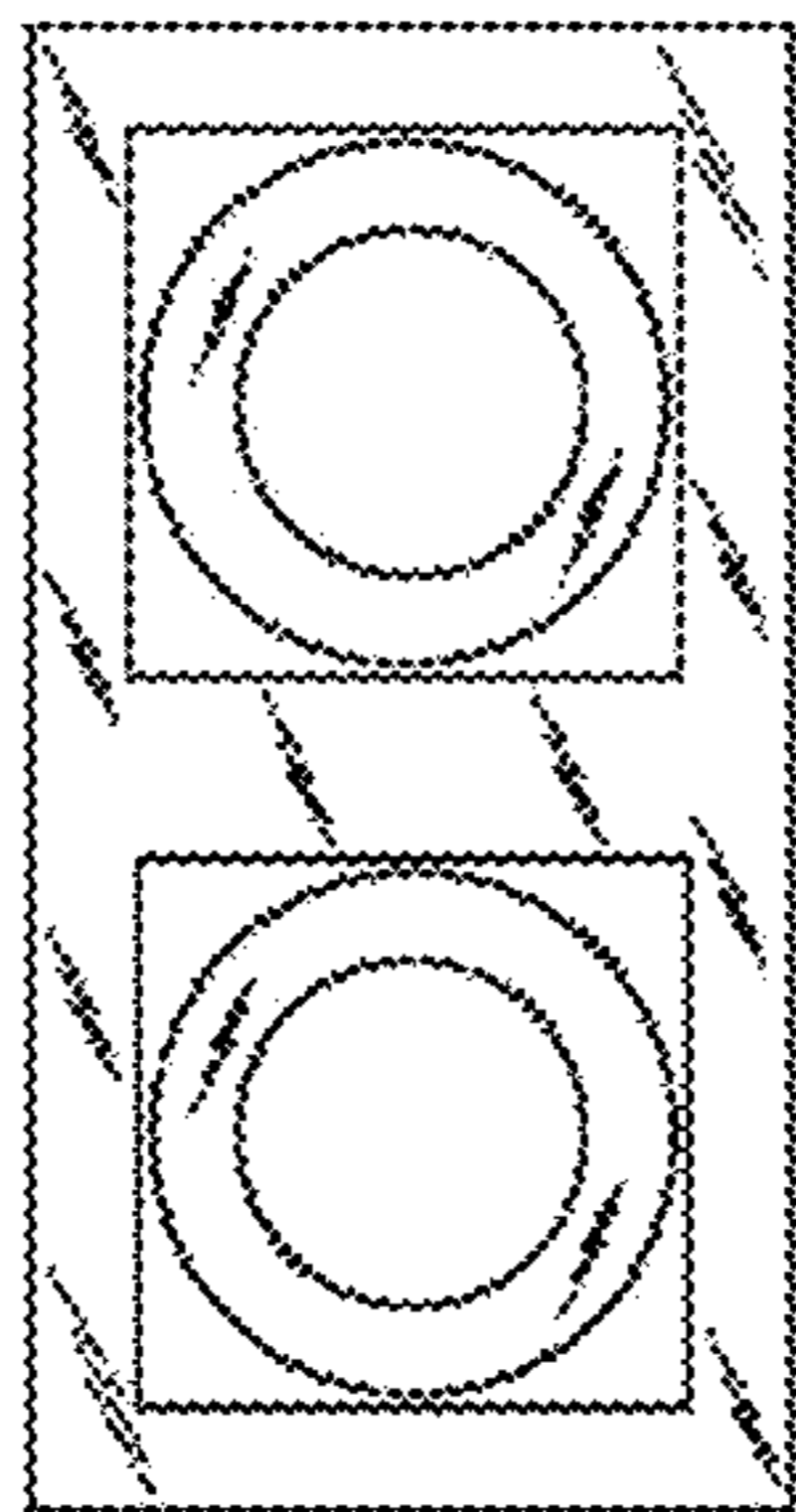


Fig. 34

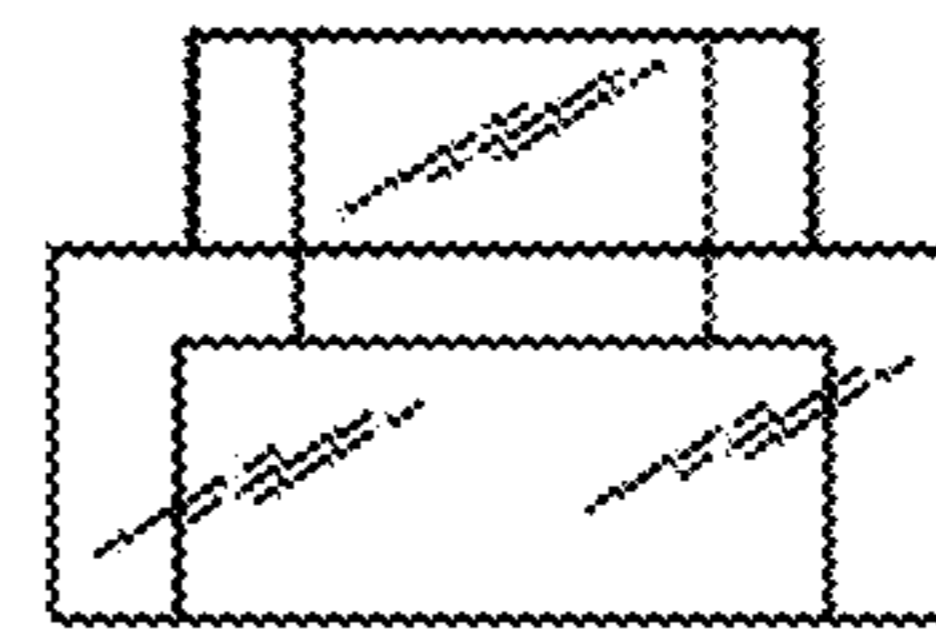


Fig. 36

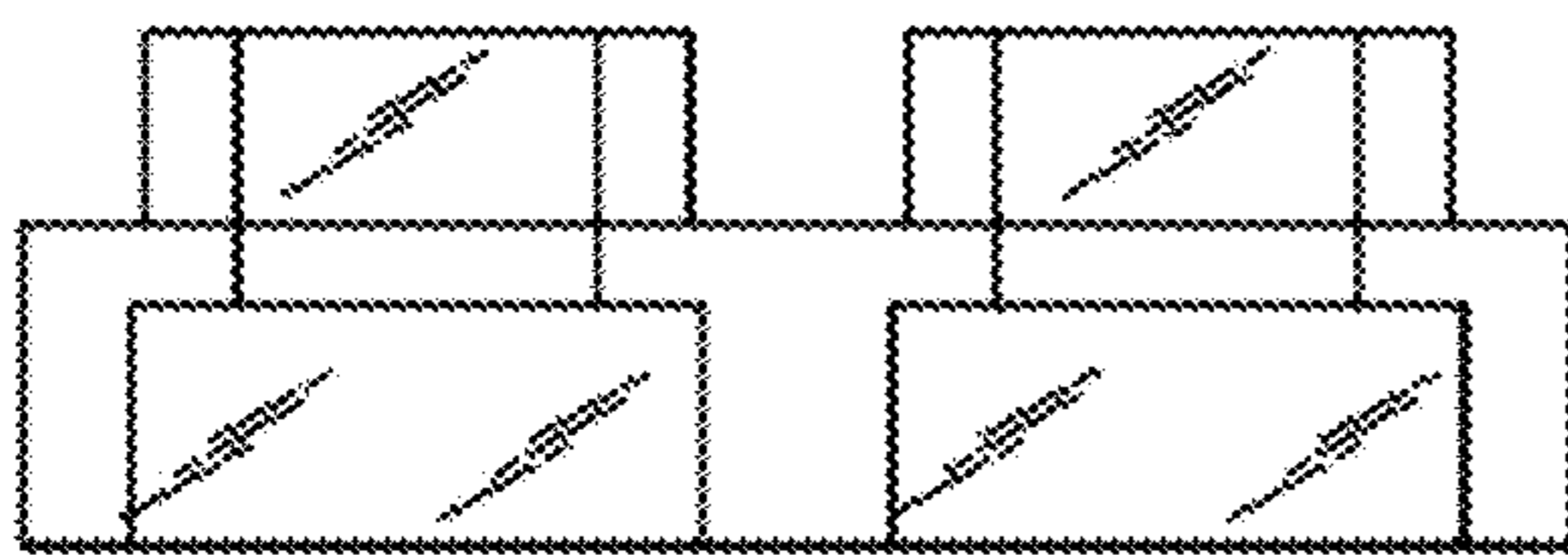


Fig. 35

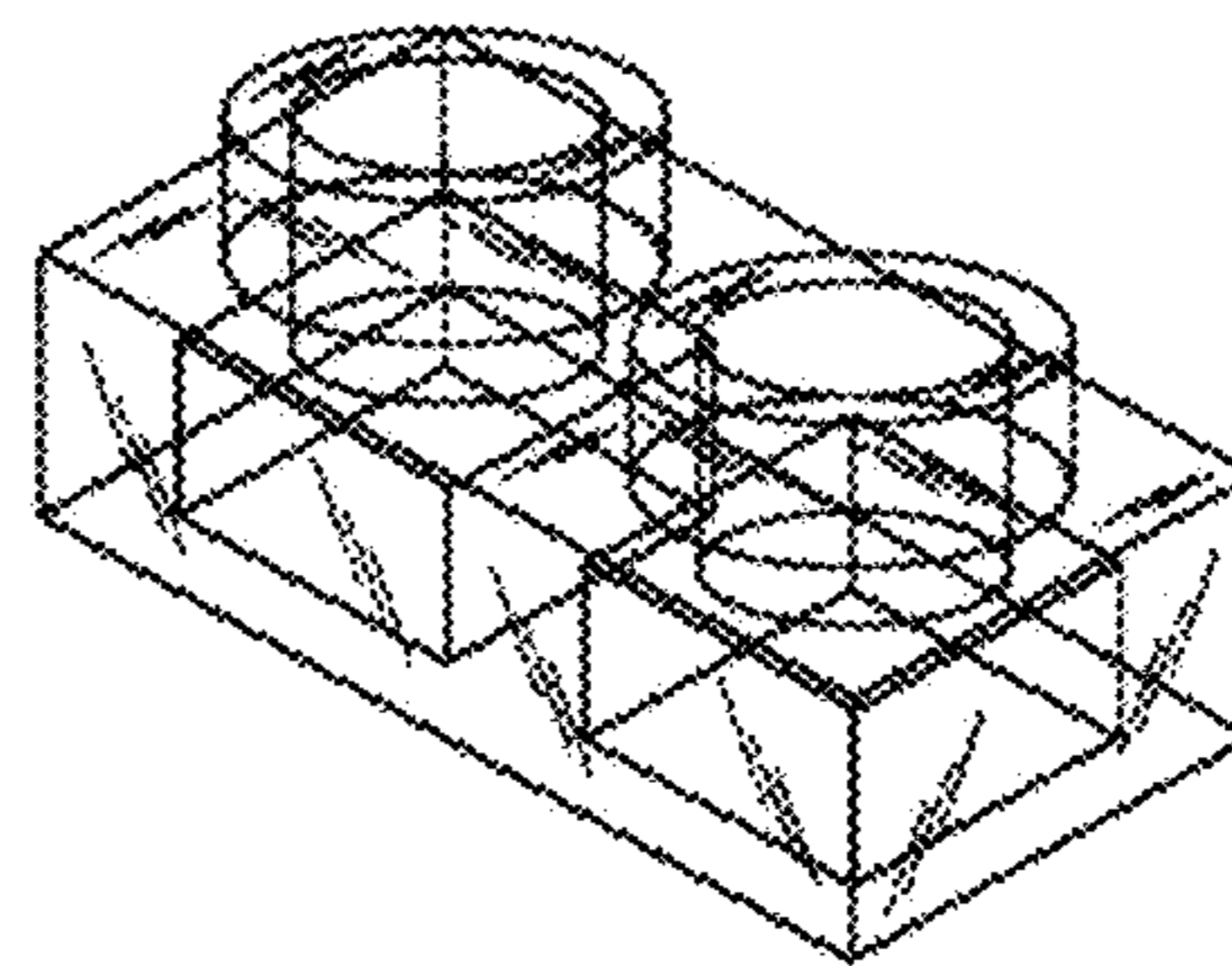


Fig. 37

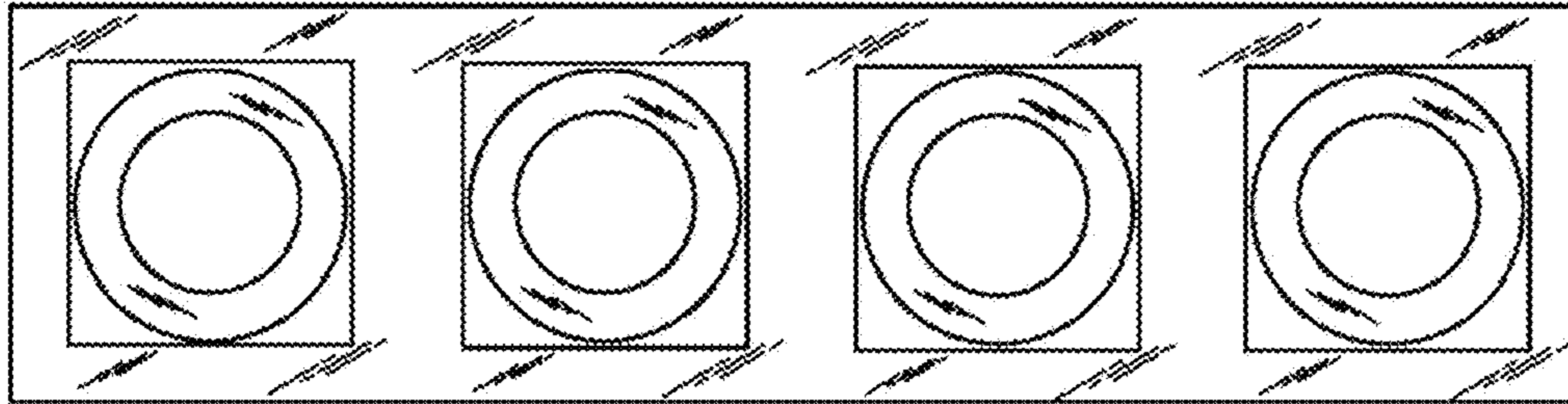


Fig. 38

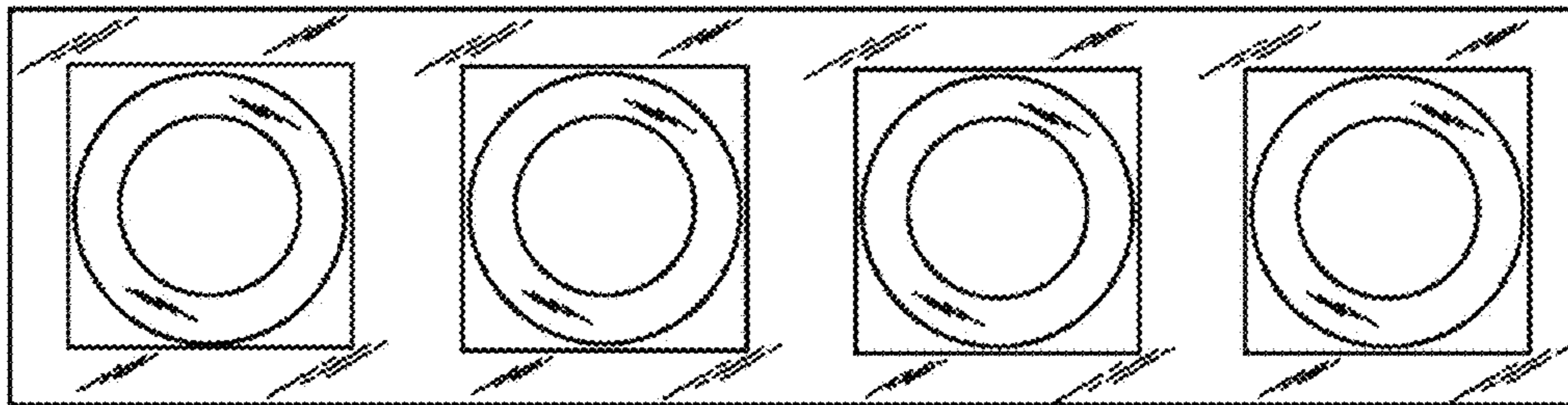


Fig. 39

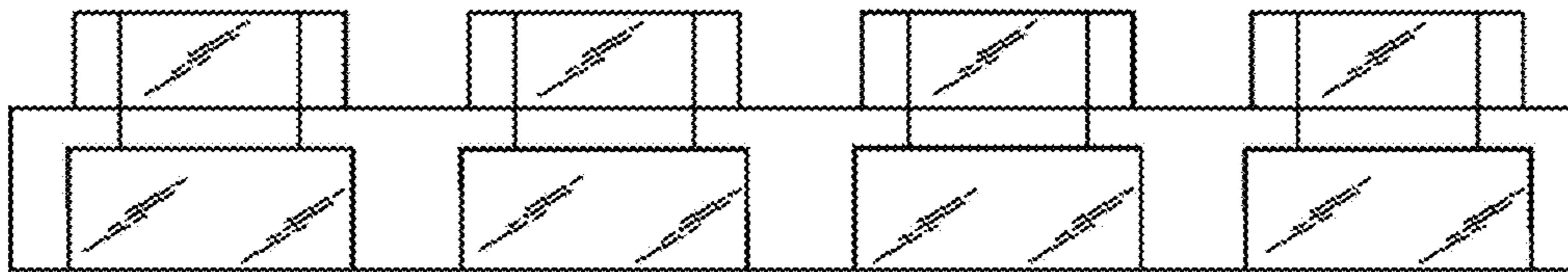


Fig. 40

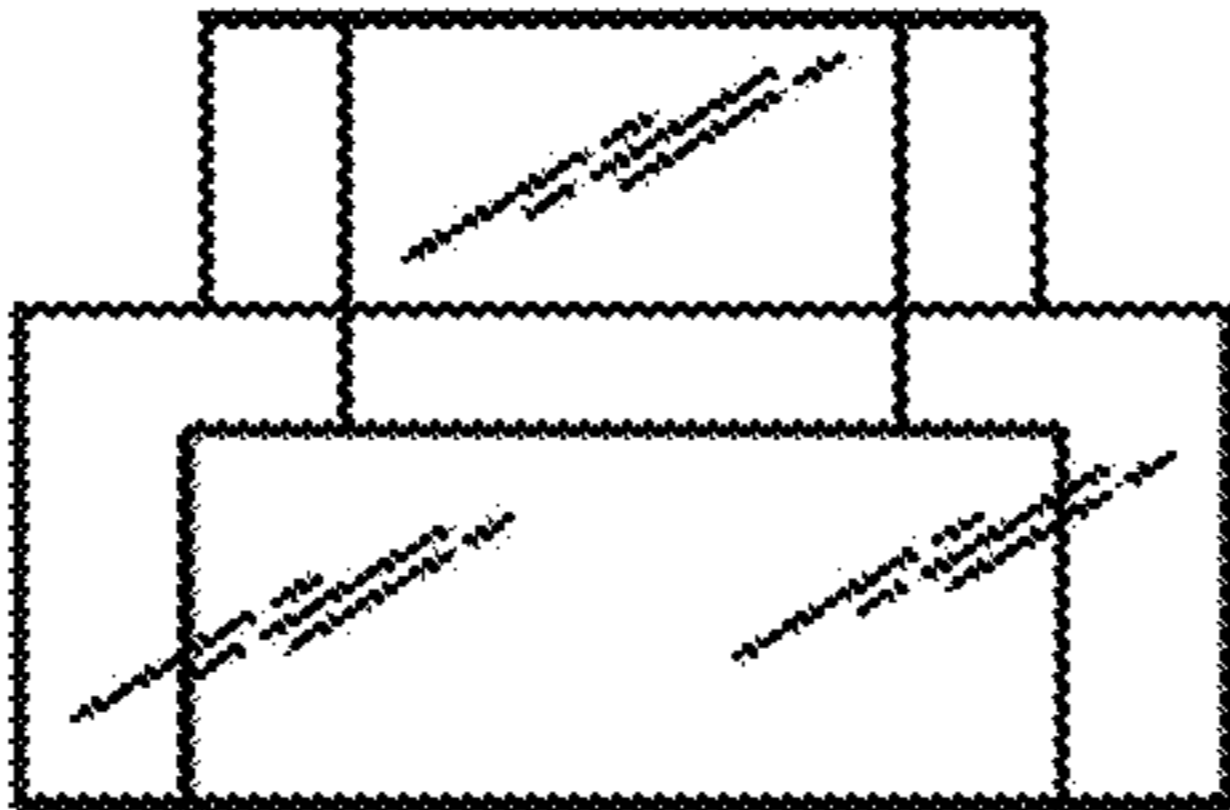


Fig. 41

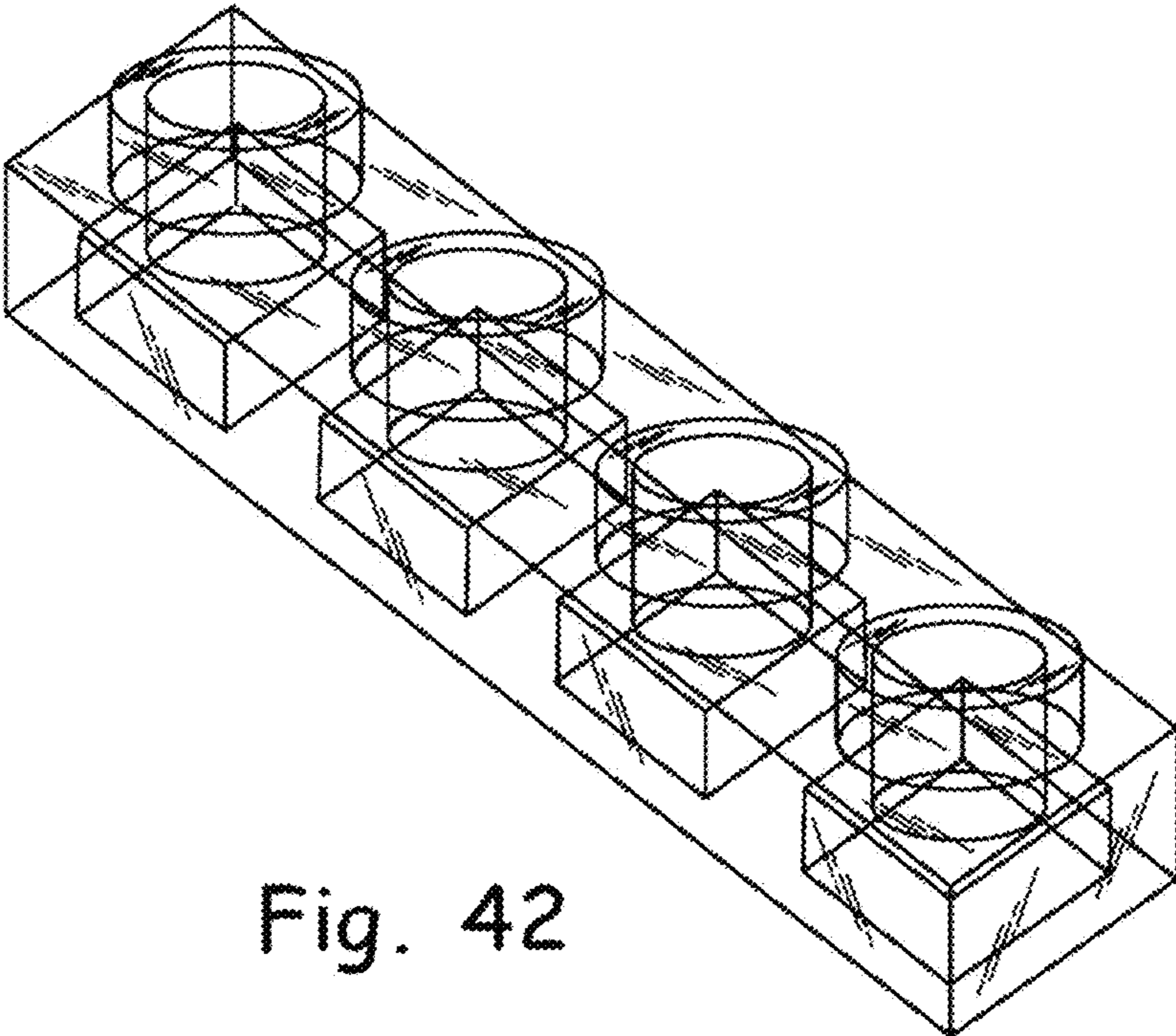


Fig. 42

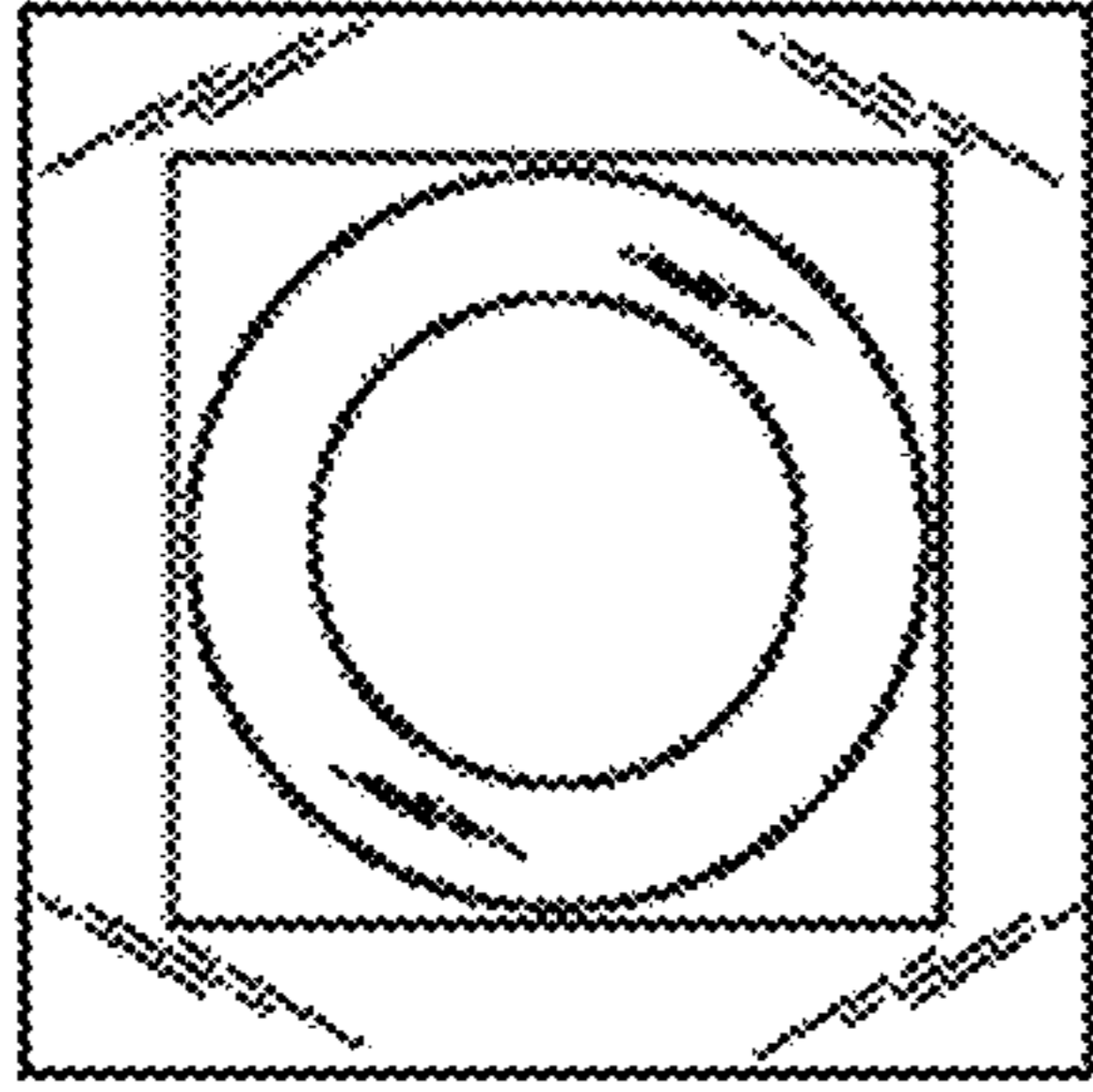


Fig. 43

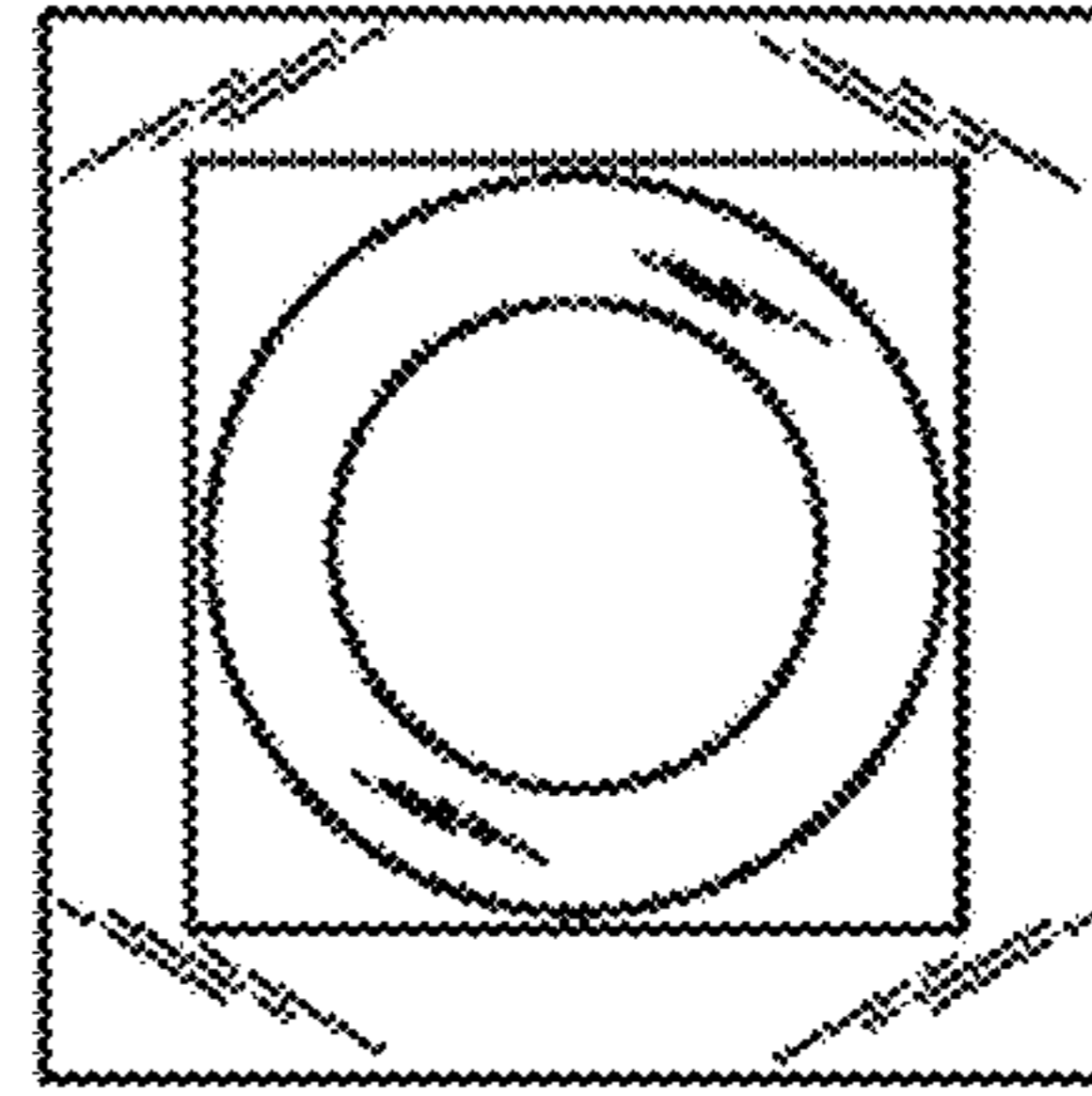


Fig. 44

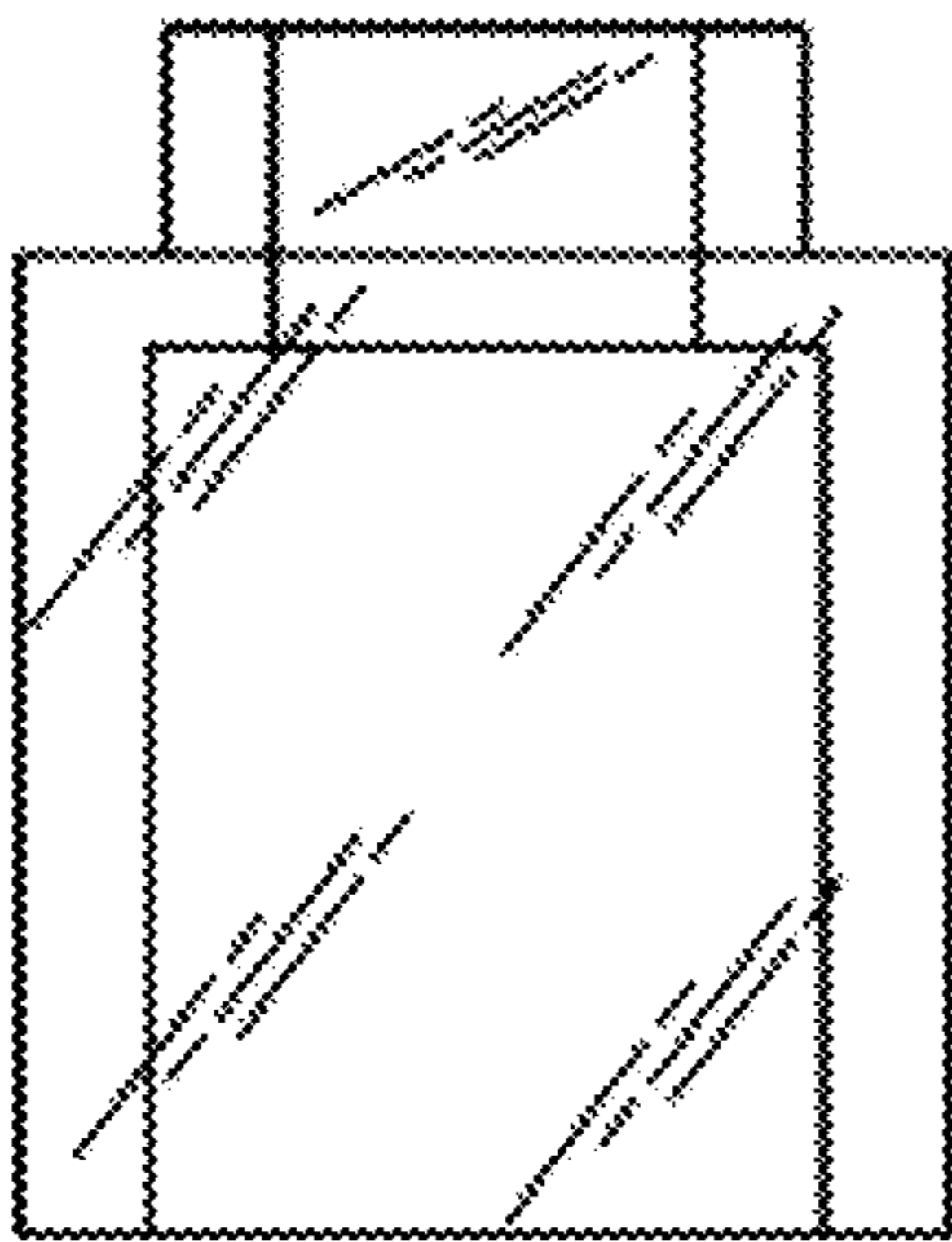


Fig. 45

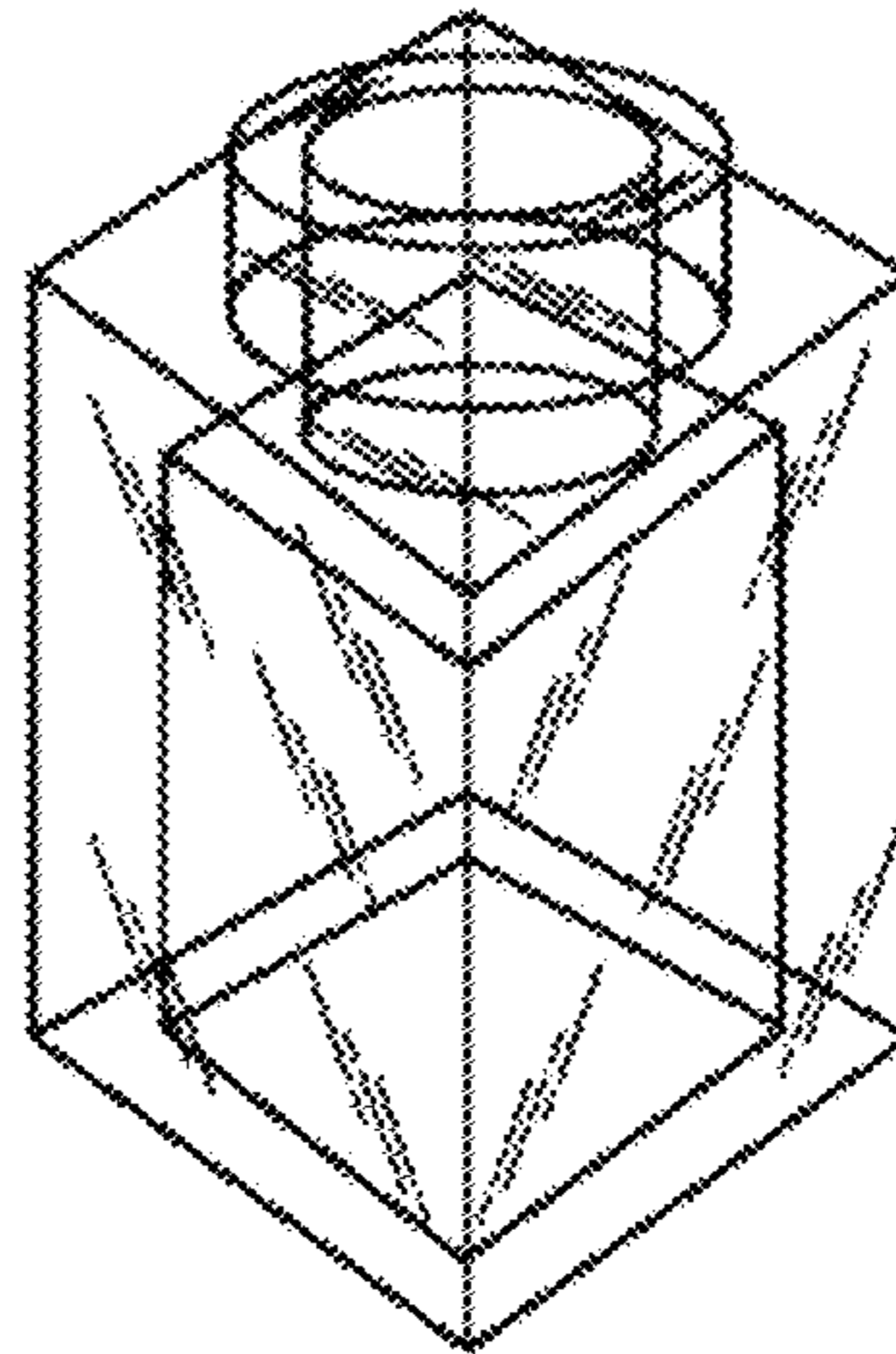


Fig. 46

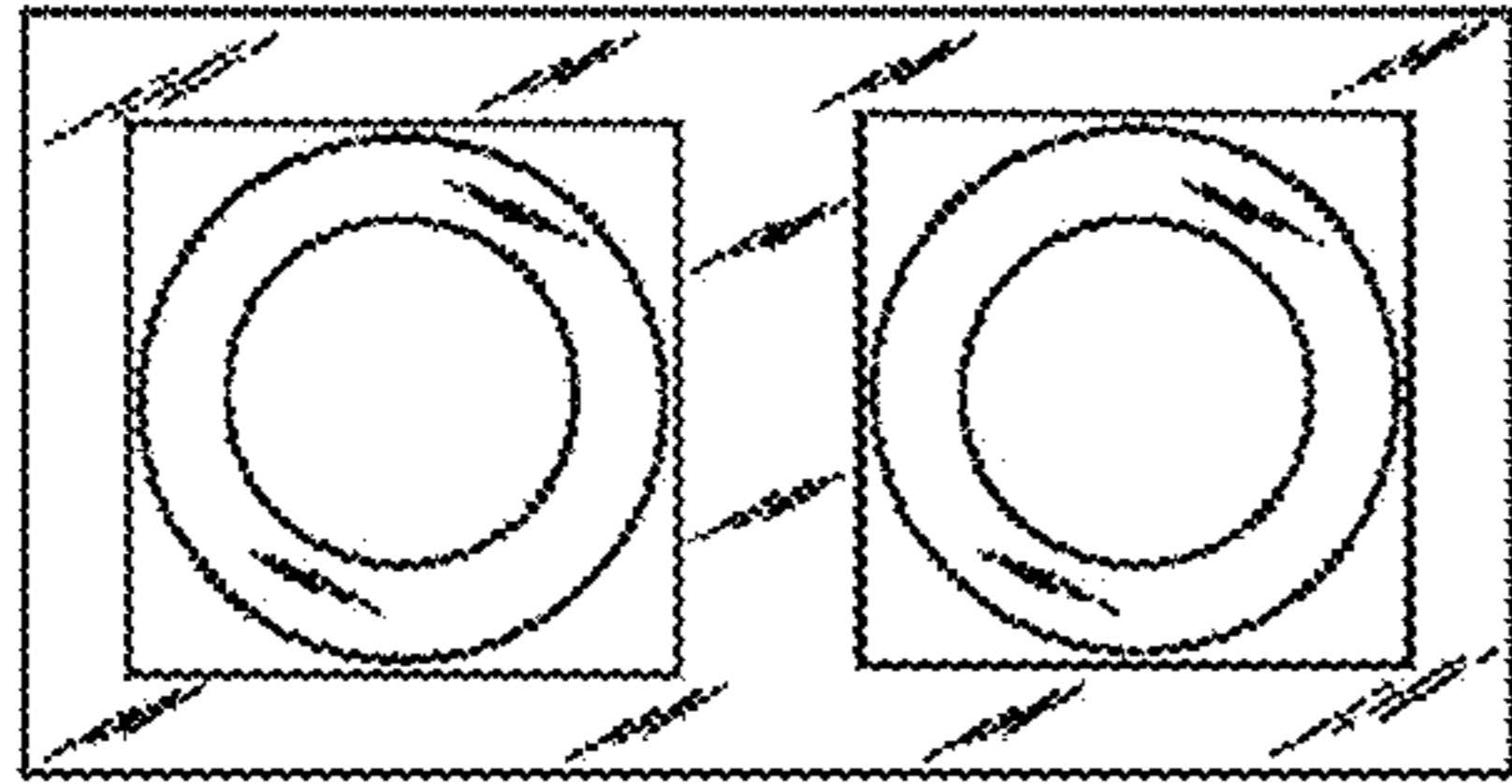


Fig. 47

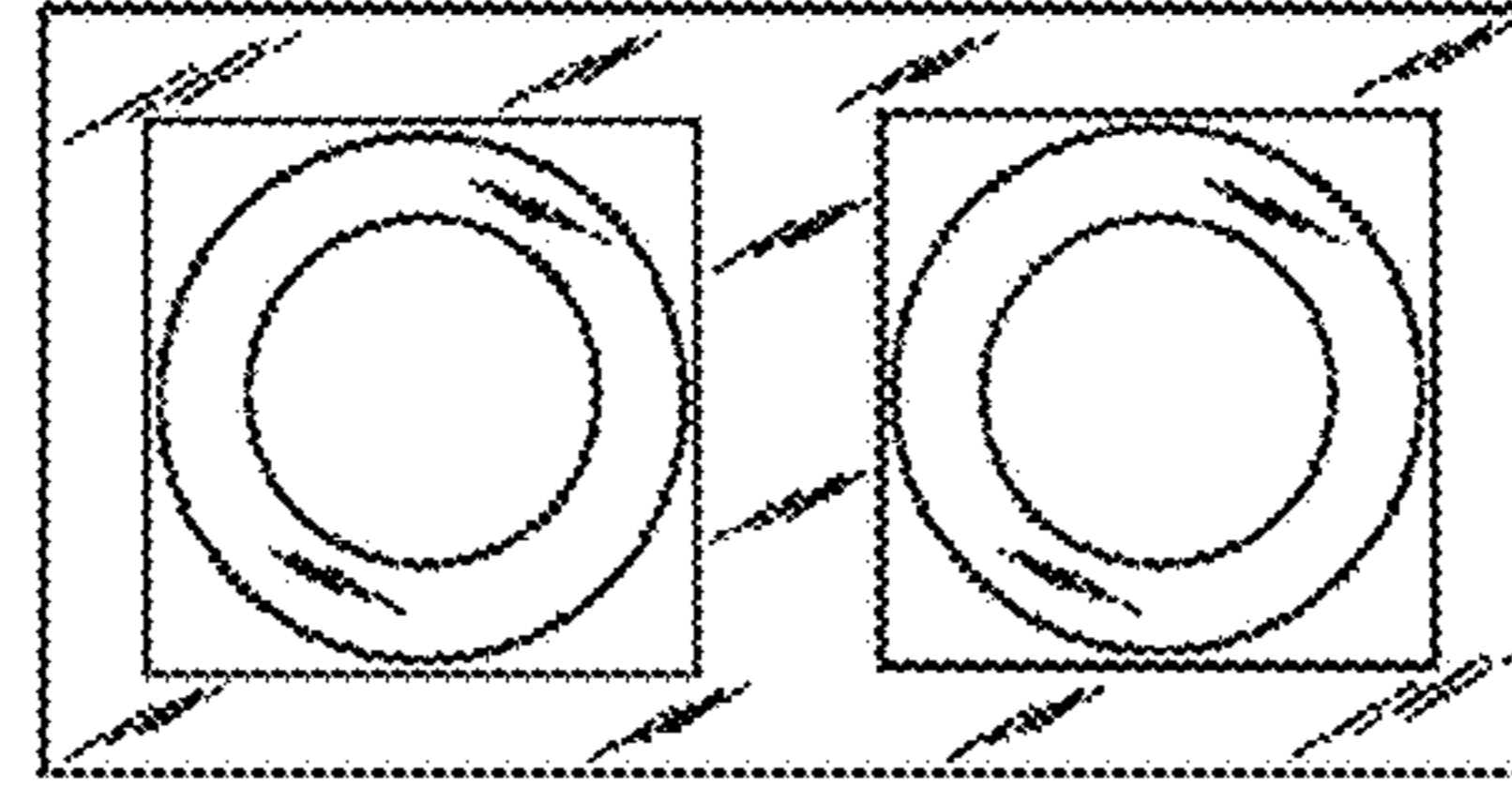


Fig. 48

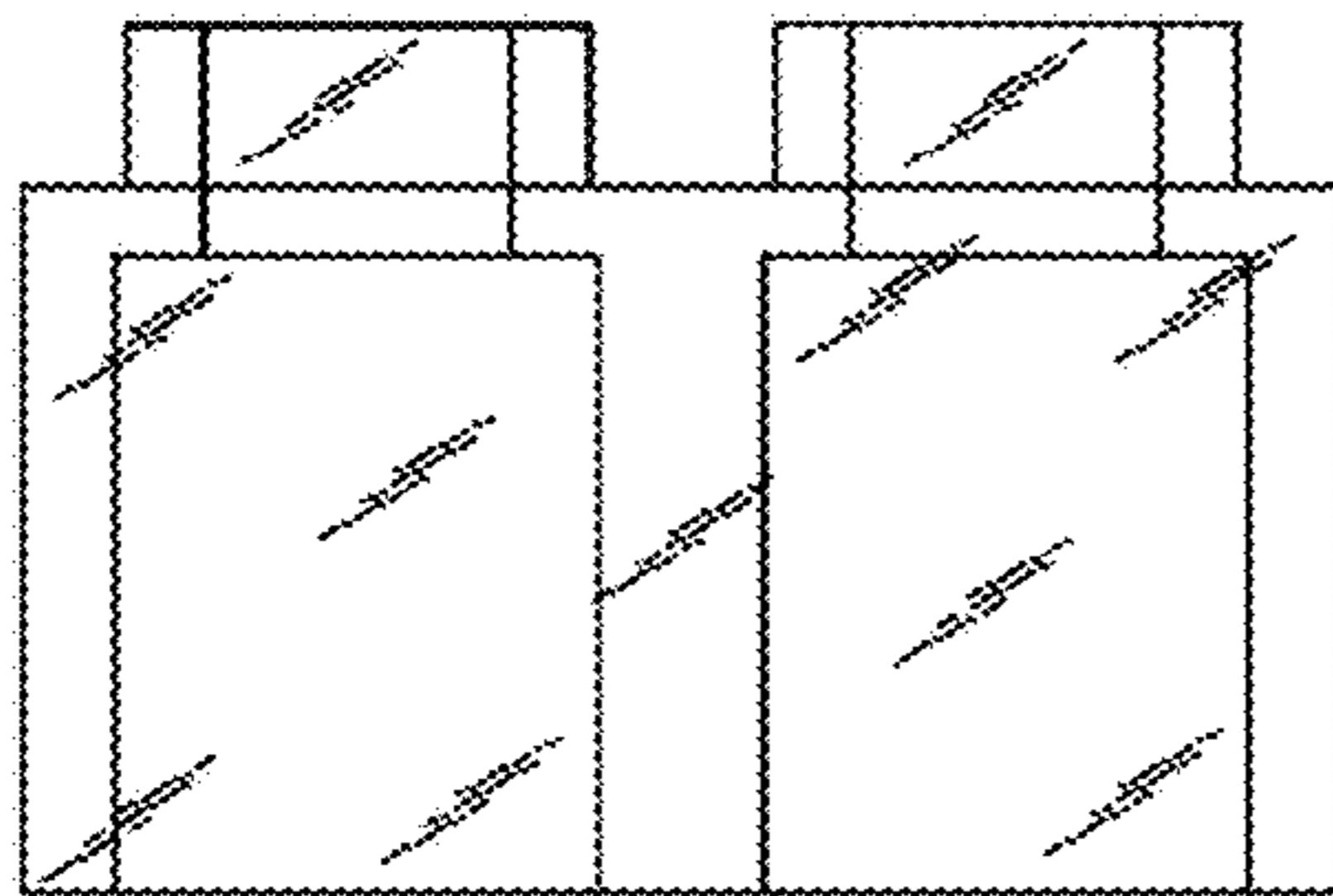


Fig. 49

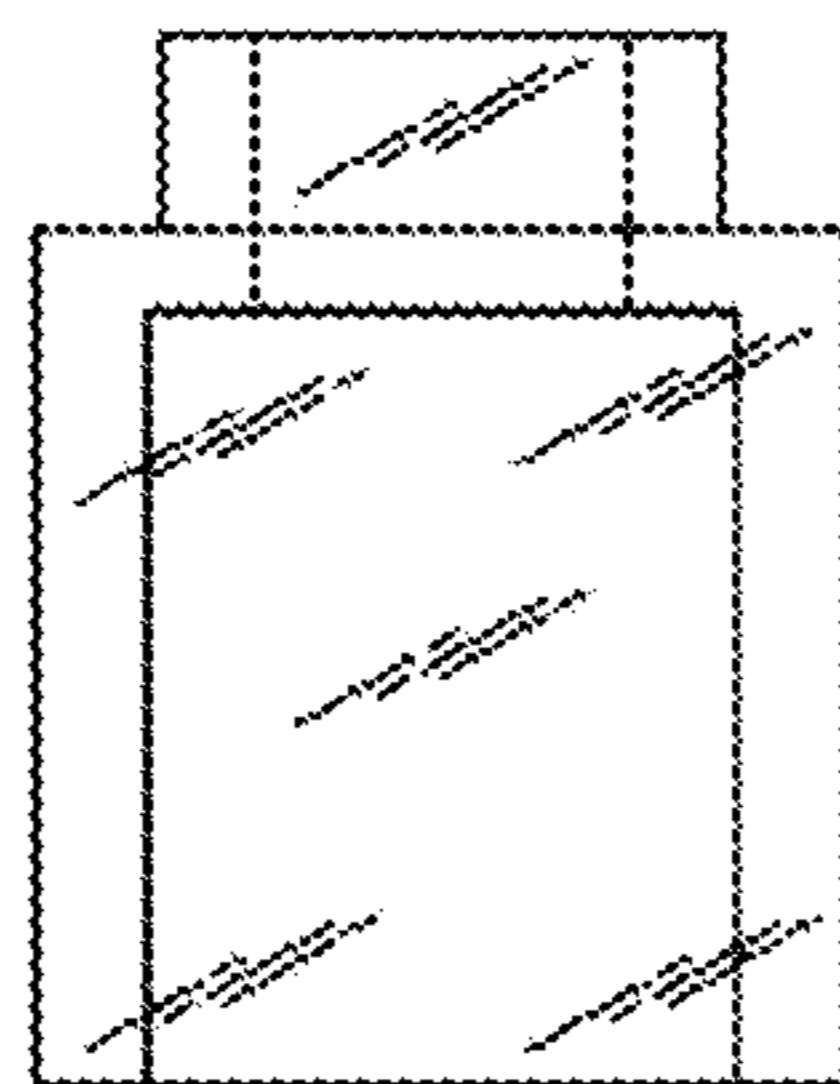


Fig. 50

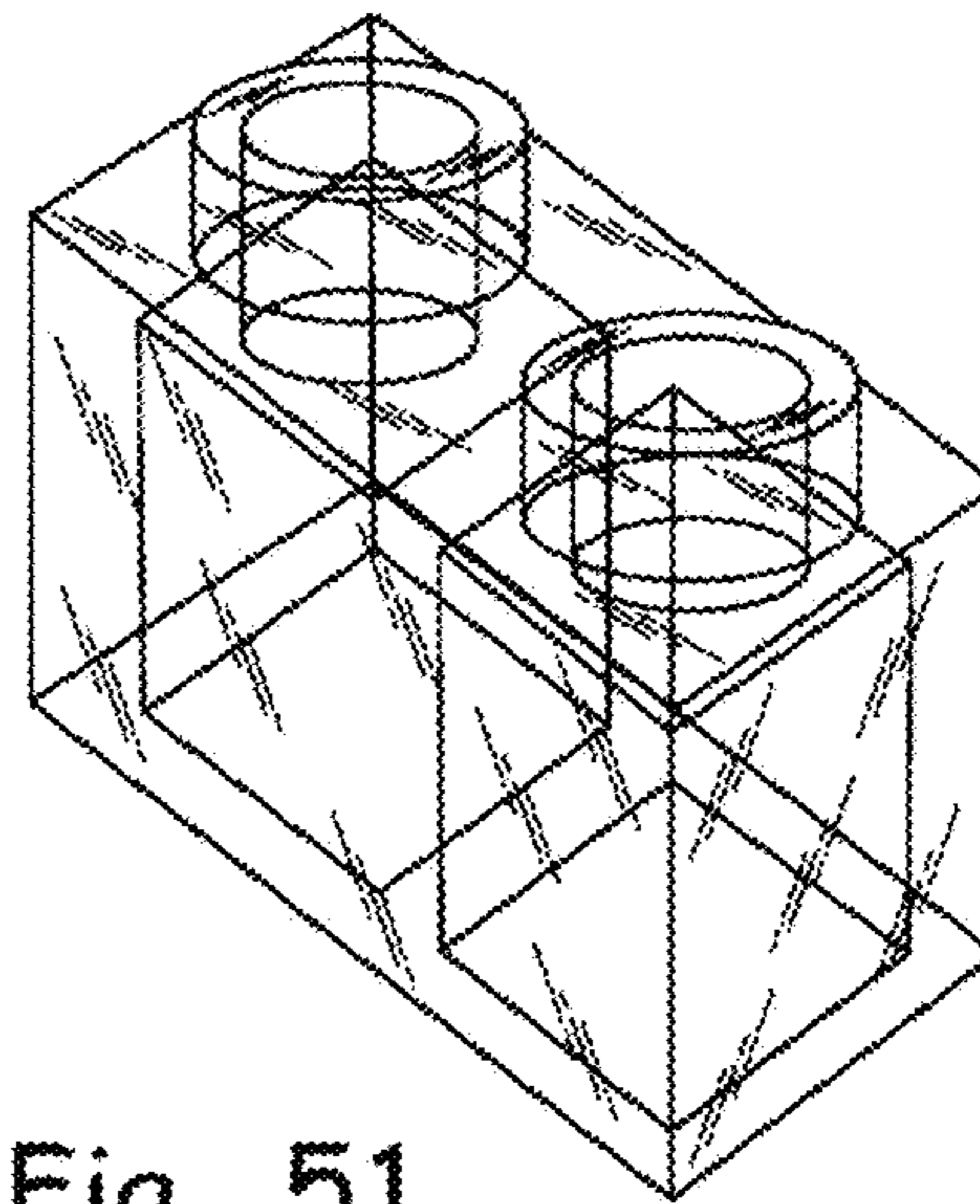


Fig. 51

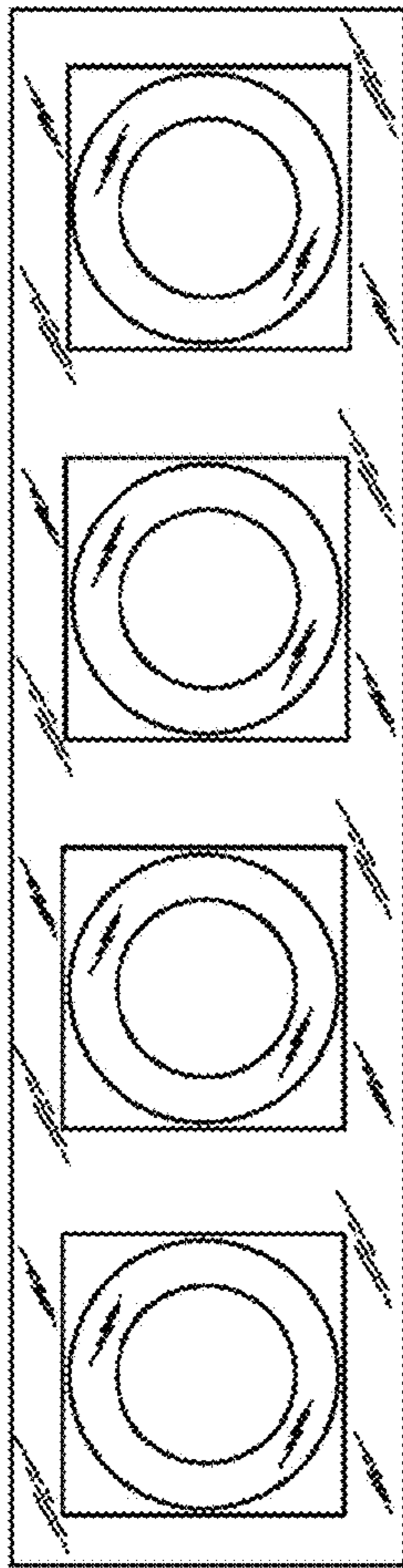


Fig. 52

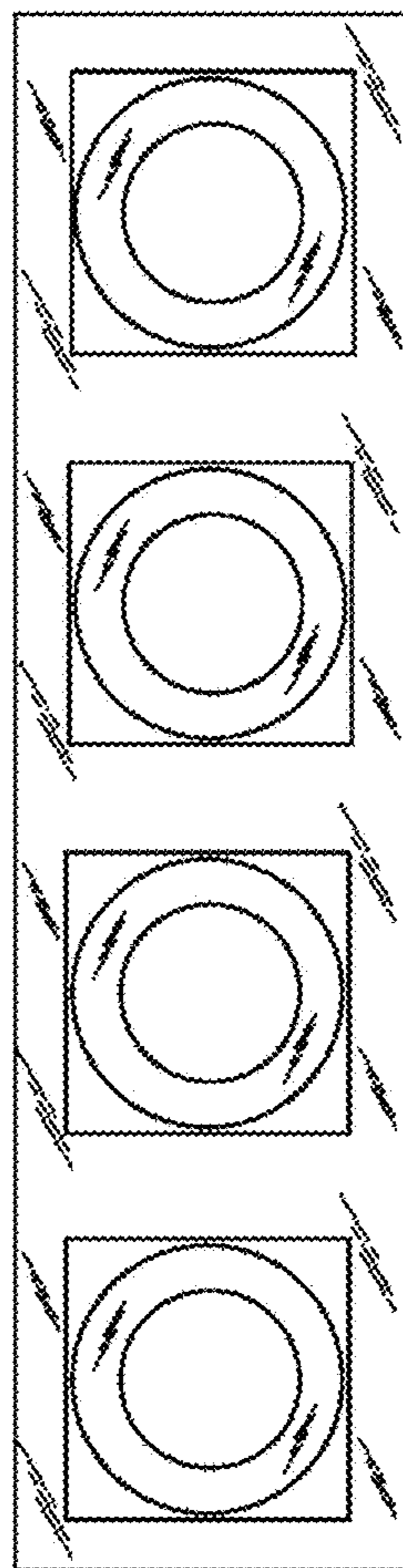


Fig. 53

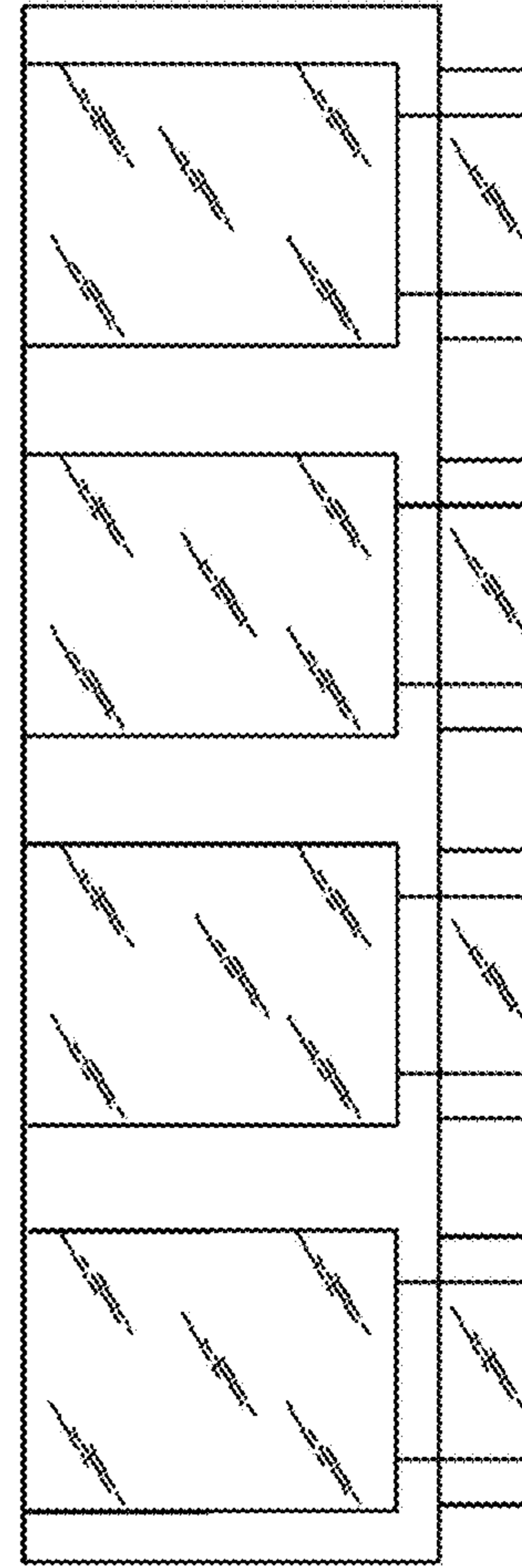


Fig. 54

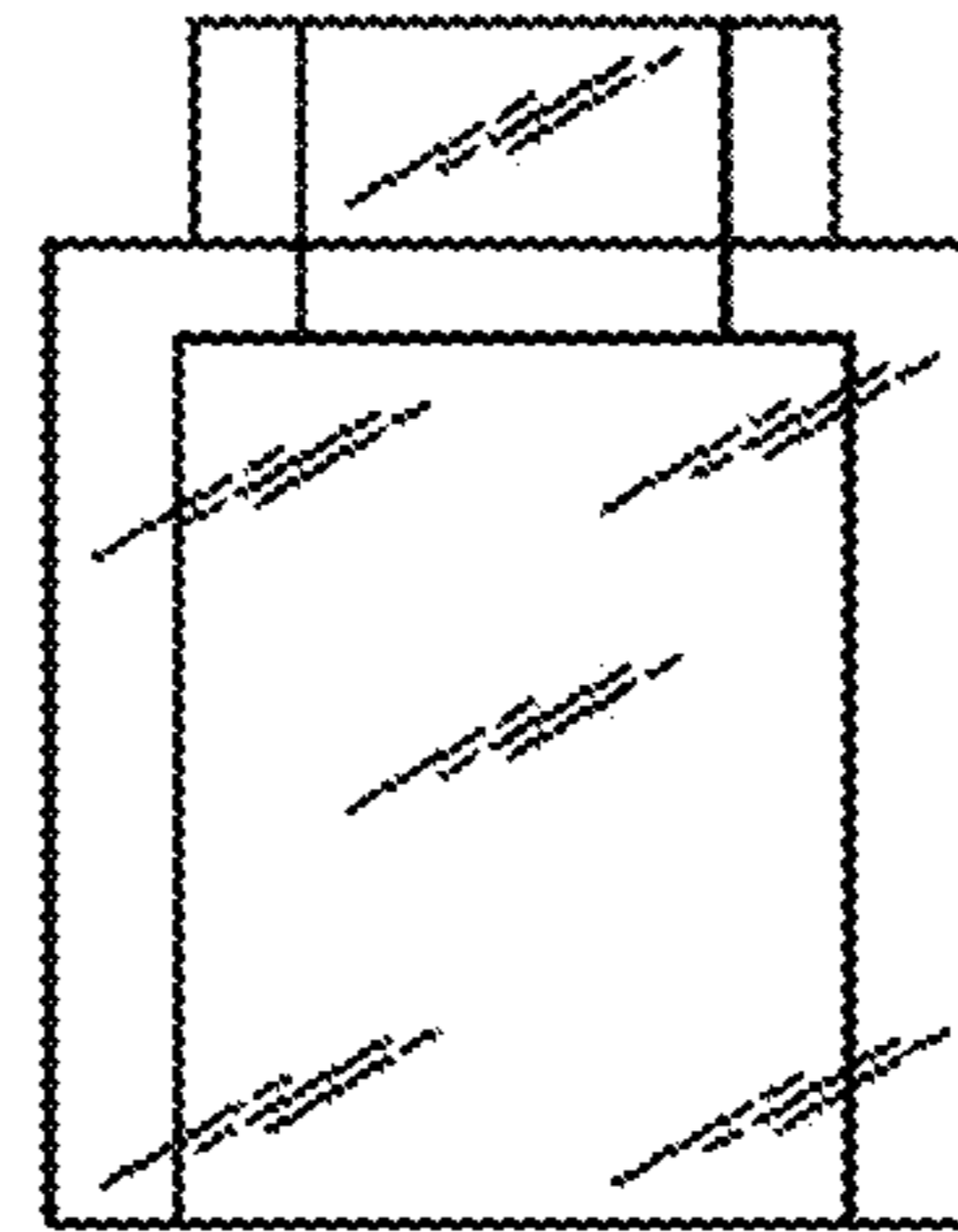


Fig. 55

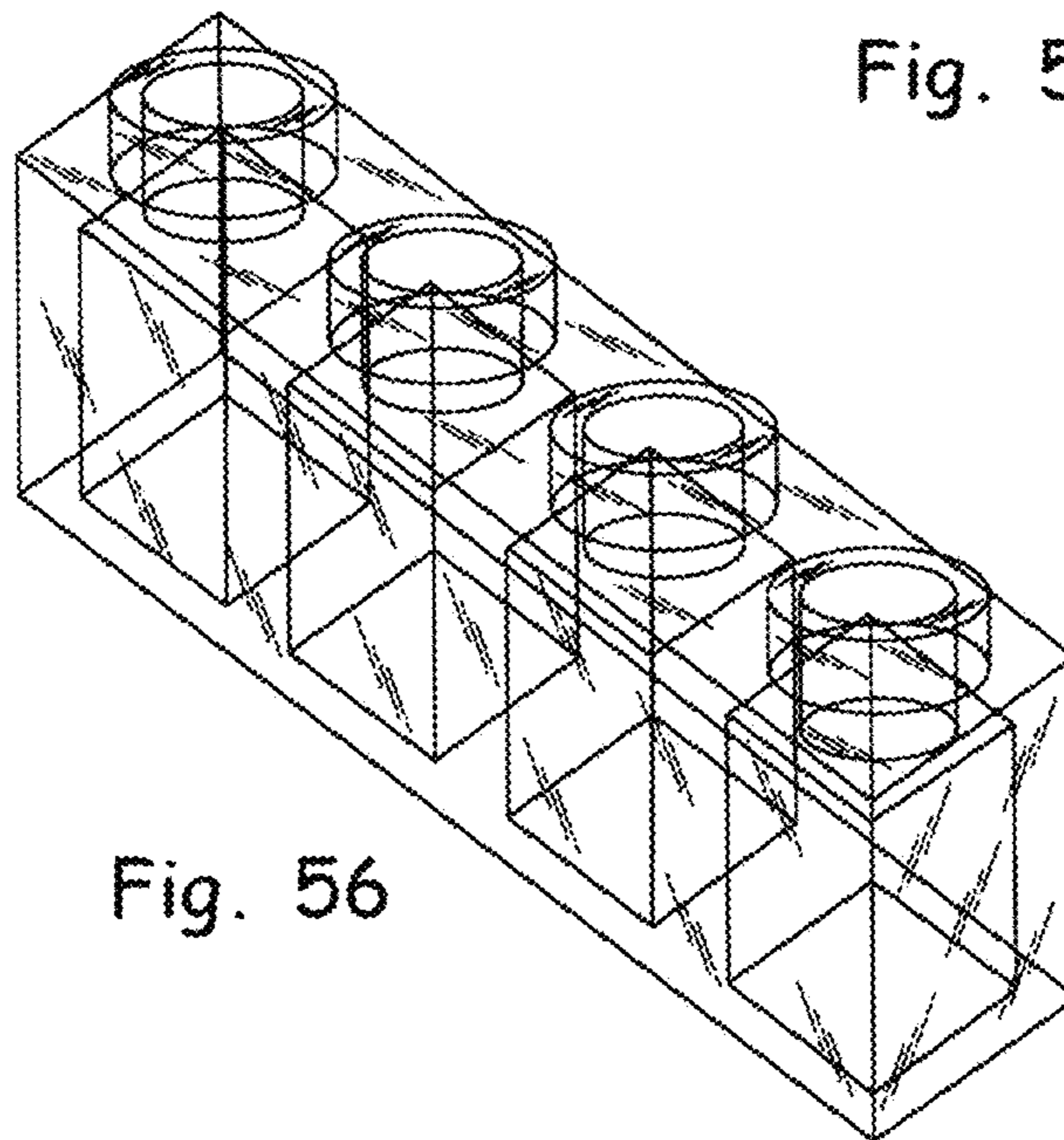


Fig. 56