



US00D788229S

(12) **United States Design Patent** (10) **Patent No.:** **US D788,229 S**
Wong et al. (45) **Date of Patent:** **** May 30, 2017**

(54) **GLOW DART**

(56) **References Cited**

(71) Applicants: **Miu Wong**, Pokfulam (HK); **Yu Chen**,
Tianjin (CN)

U.S. PATENT DOCUMENTS

(72) Inventors: **Miu Wong**, Pokfulam (HK); **Yu Chen**,
Tianjin (CN)

5,358,253 A * 10/1994 Chen F41J 3/02
273/348.2
D477,640 S * 7/2003 Gamble D21/387
D622,325 S * 8/2010 Walterscheid D21/387
D690,775 S * 10/2013 Chen D21/387

(73) Assignee: **Party Dragon Limited**, Hong Kong
(HK)

* cited by examiner

(**) Term: **15 Years**

Primary Examiner — George D Kirschbaum

(21) Appl. No.: **29/559,660**

(74) *Attorney, Agent, or Firm* — Law Office of Gerard F.
Dunne; Gerard Dunne

(22) Filed: **Mar. 30, 2016**

(57) **CLAIM**

The ornamental design for a glow dart, as shown and
described.

(51) **LOC (10) Cl.** **21-01**

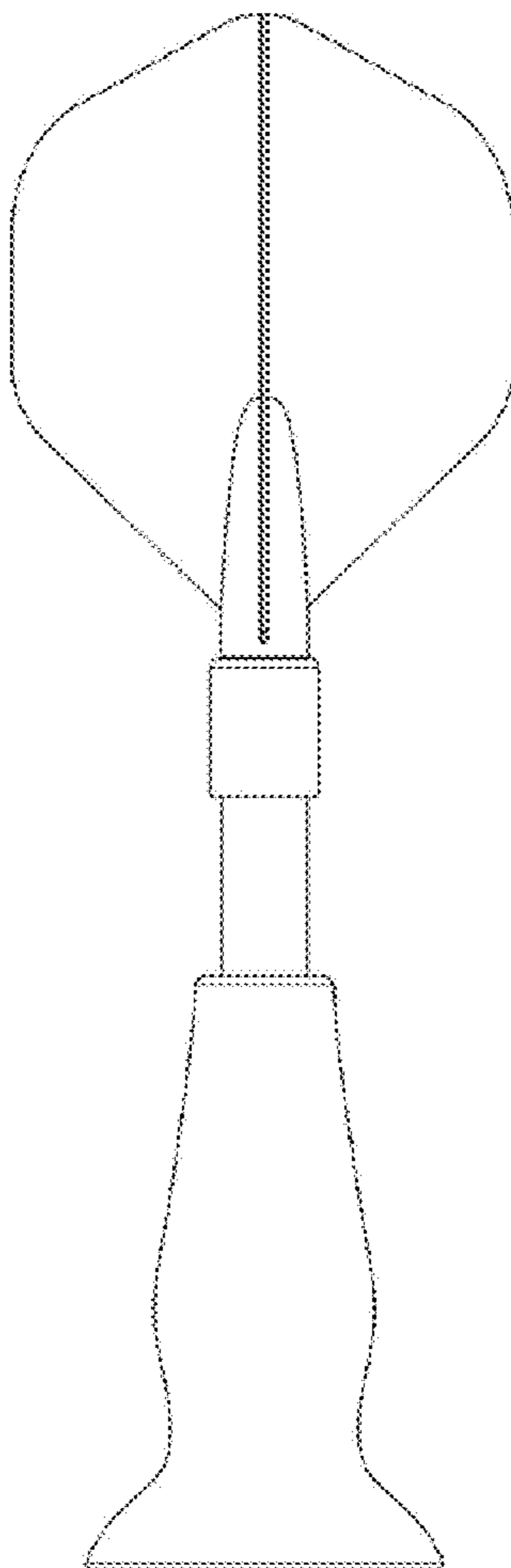
DESCRIPTION

(52) **U.S. Cl.**
USPC **D21/387**

FIG. 1 is a side elevational view of an ornamental design for
a glow dart of the present invention, all sides being identical;
FIG. 2 is a top-down view thereof; and,
FIG. 3 is a bottom-up view thereof.

(58) **Field of Classification Search**
USPC D21/387
CPC F41J 3/02; A63B 65/02
See application file for complete search history.

1 Claim, 1 Drawing Sheet



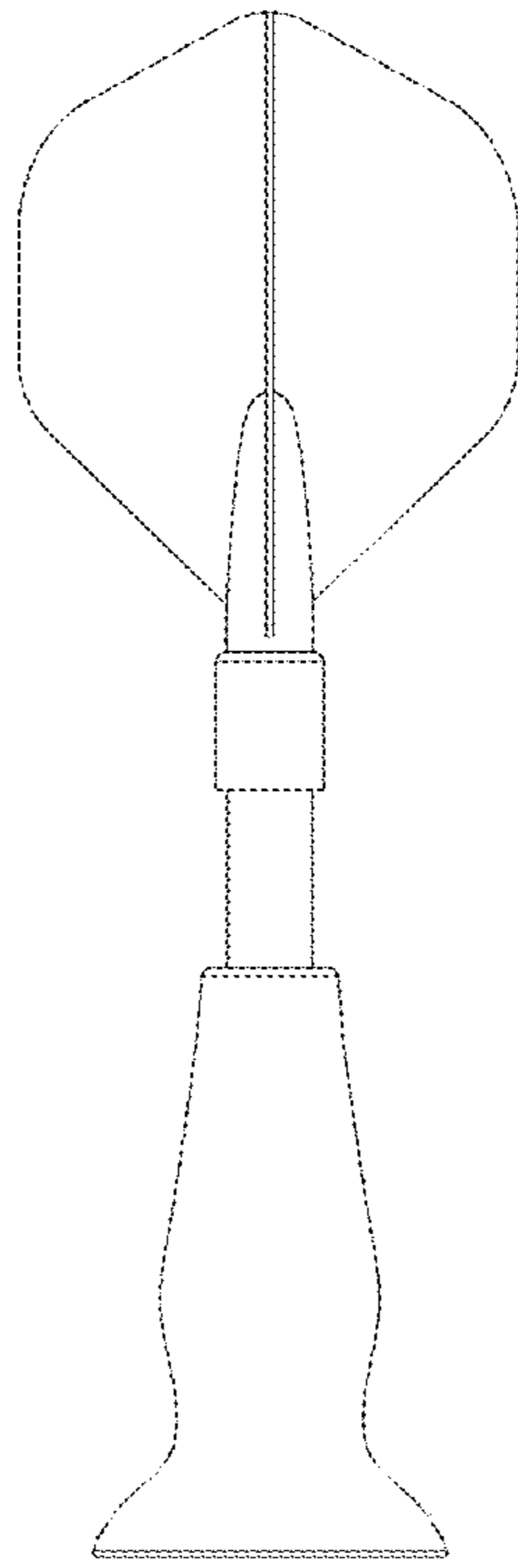


Fig. 1

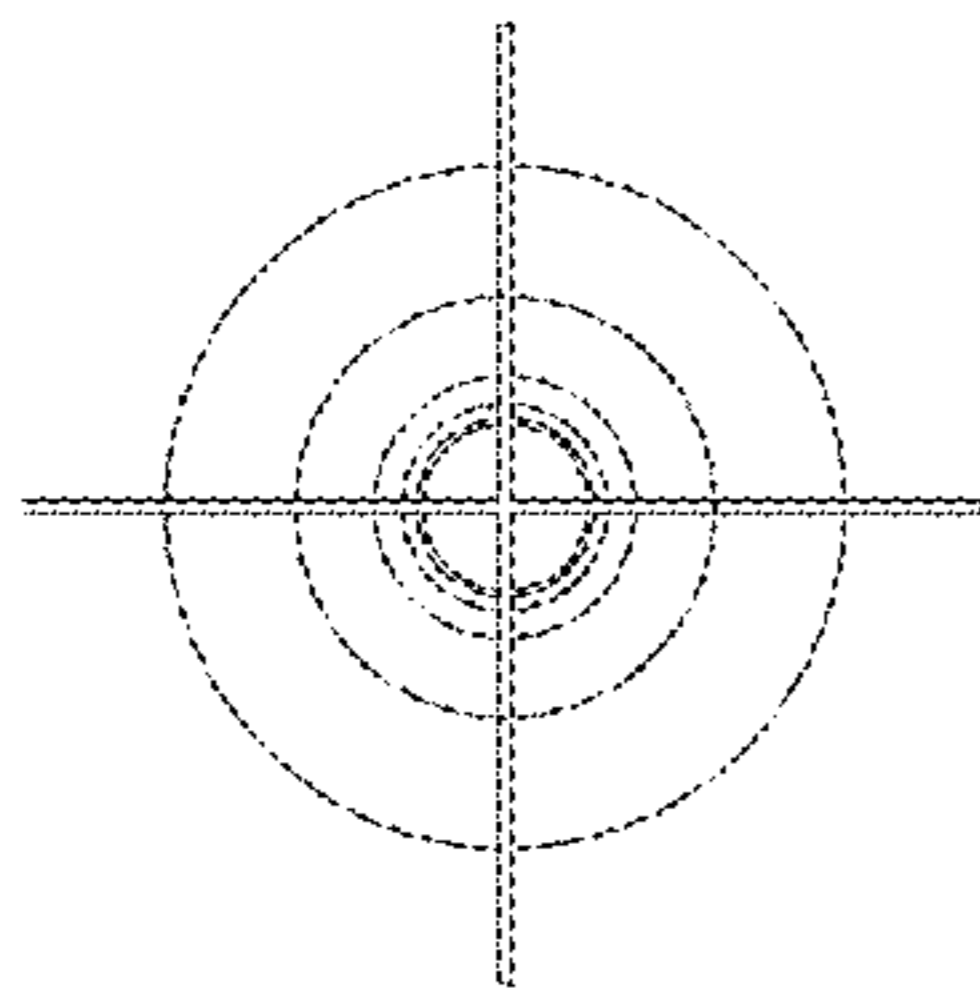


Fig. 2

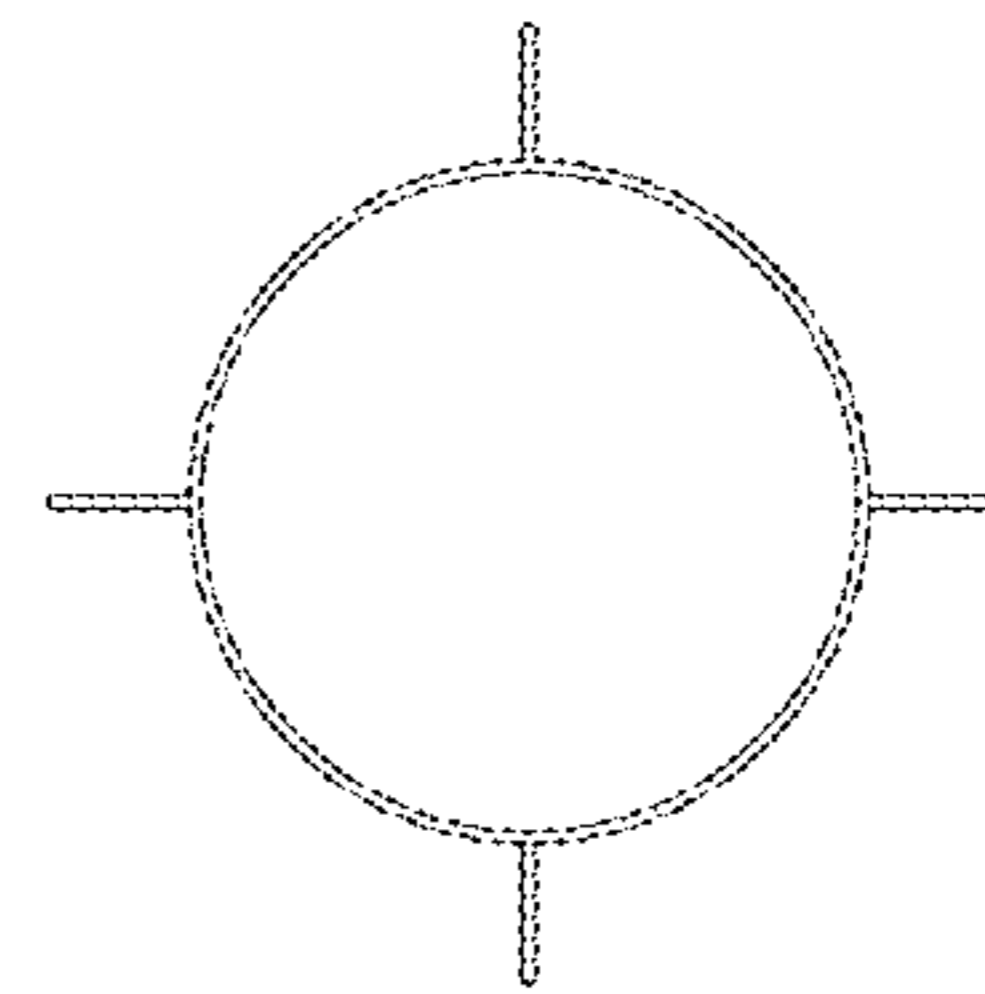


Fig. 3