



US00D788224S

(12) **United States Design Patent** (10) **Patent No.:** **US D788,224 S**
Quintero et al. (45) **Date of Patent:** **** May 30, 2017**

- (54) **NOTE DISPENSER** 4,231,837 A * 11/1980 Ramey B42D 5/007
156/522
- (71) Applicant: **3M INNOVATIVE PROPERTIES** D270,740 S * 9/1983 Pearson D19/22
COMPANY, St. Paul, MN (US) D271,981 S * 12/1983 Pearson D19/22
D288,445 S * 2/1987 Sylvester D14/339
4,653,666 A * 3/1987 Mertens B42D 5/005
221/45
- (72) Inventors: **Yin C. Quintero**, St. Paul, MN (US); 5,080,254 A * 1/1992 Feer B42D 5/005
Jane E. Harvey Pennaz, Roseville, 206/215
MN (US); **Traxton J. Turner**, West St. D325,930 S * 5/1992 Breen D19/76
Paul, MN (US); **Meghan A. Smith**, D327,294 S * 6/1992 Feer D19/75
Minneapolis, MN (US) D394,277 S * 5/1998 Lin D18/2
D524,541 S * 7/2006 Cauley D3/294
D714,867 S * 10/2014 Bodziak D19/86
D738,065 S * 9/2015 Beal D8/98
D759,503 S * 6/2016 Terpko D6/515
- (73) Assignee: **3M INNOVATIVE PROPERTIES**
COMPANY, St. Paul, MN (US)

(**) Term: **14 Years**

* cited by examiner

(21) Appl. No.: **29/525,962**

Primary Examiner — Elizabeth Albert

(22) Filed: **May 5, 2015**

(74) *Attorney, Agent, or Firm* — Irina Hass

(51) **LOC (10) Cl.** **19-02**

(52) **U.S. Cl.**
USPC **D19/86**

(57) **CLAIM**

(58) **Field of Classification Search**
USPC D3/273, 292, 294; D19/86–92; D9/414,
D9/415, 422, 423, 424, 432, 734
CPC B42D 5/005; A47B 63/00; B65D 83/0835;
B65D 83/0894; B65D 83/0805; B42F
9/001; B42F 9/002
See application file for complete search history.

The ornamental design for a note dispenser, as shown and described.

DESCRIPTION

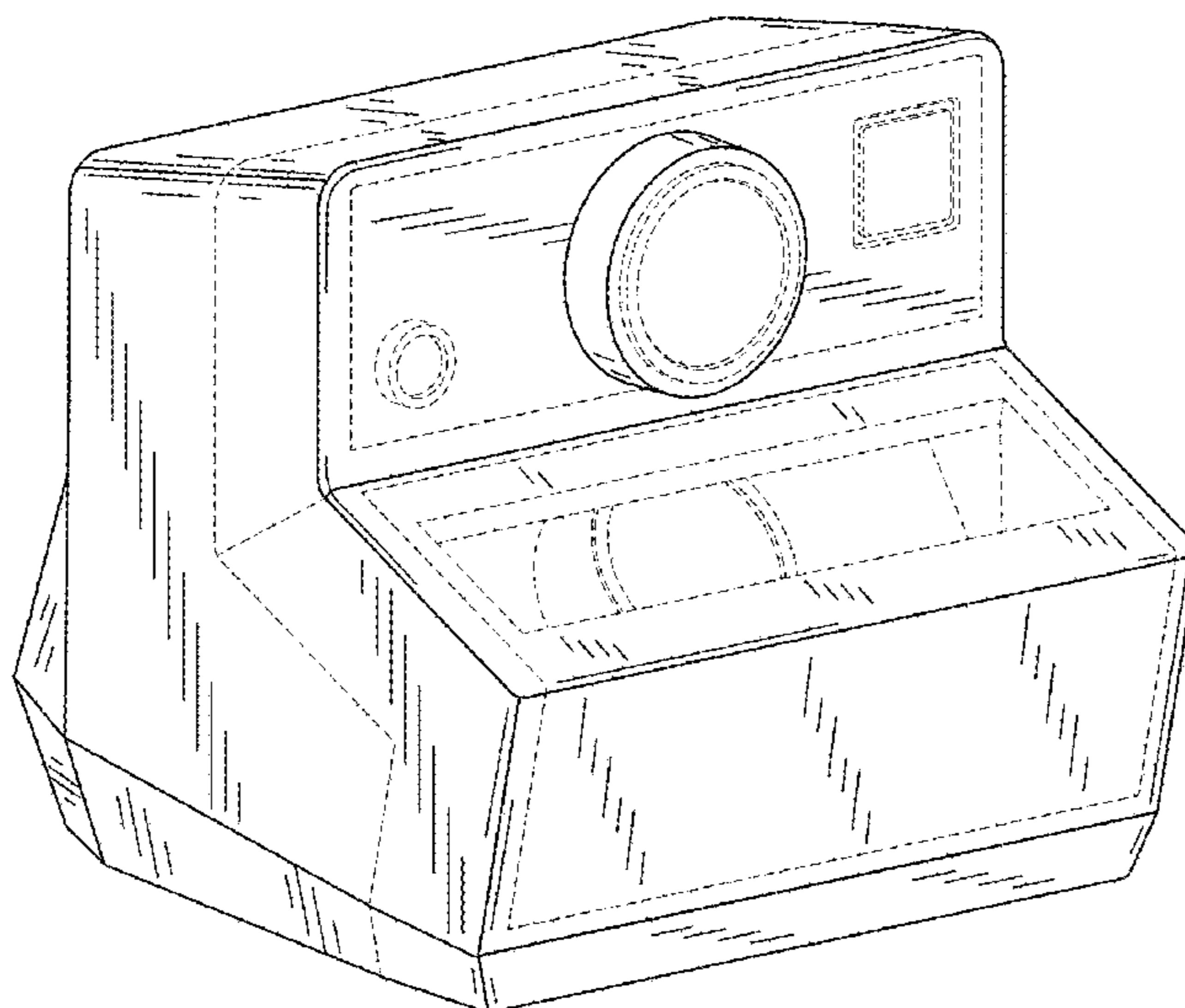
(56) **References Cited**

U.S. PATENT DOCUMENTS

- 2,791,447 A * 5/1957 Bresler B42F 7/14
24/67.5
- D181,514 S * 11/1957 Blod D3/294
- D183,037 S * 6/1958 Botham D3/294
- D220,154 S * 3/1971 Irelan D28/61
- 3,807,770 A * 4/1974 Bosland B42D 19/00
281/11
- D243,526 S * 3/1977 Overman D6/634

FIG. 1 is a perspective view showing the new design for a note dispenser;
FIG. 2 is a right side view thereof;
FIG. 3 is a left side view thereof;
FIG. 4 is a front view thereof;
FIG. 5 is a rear view thereof;
FIG. 6 is a top view thereof; and,
FIG. 7 is a bottom view thereof.
The portions of the note dispenser in FIGS. 1-7 shown in broken lines are included to show features that form no part of the claimed design.

1 Claim, 7 Drawing Sheets



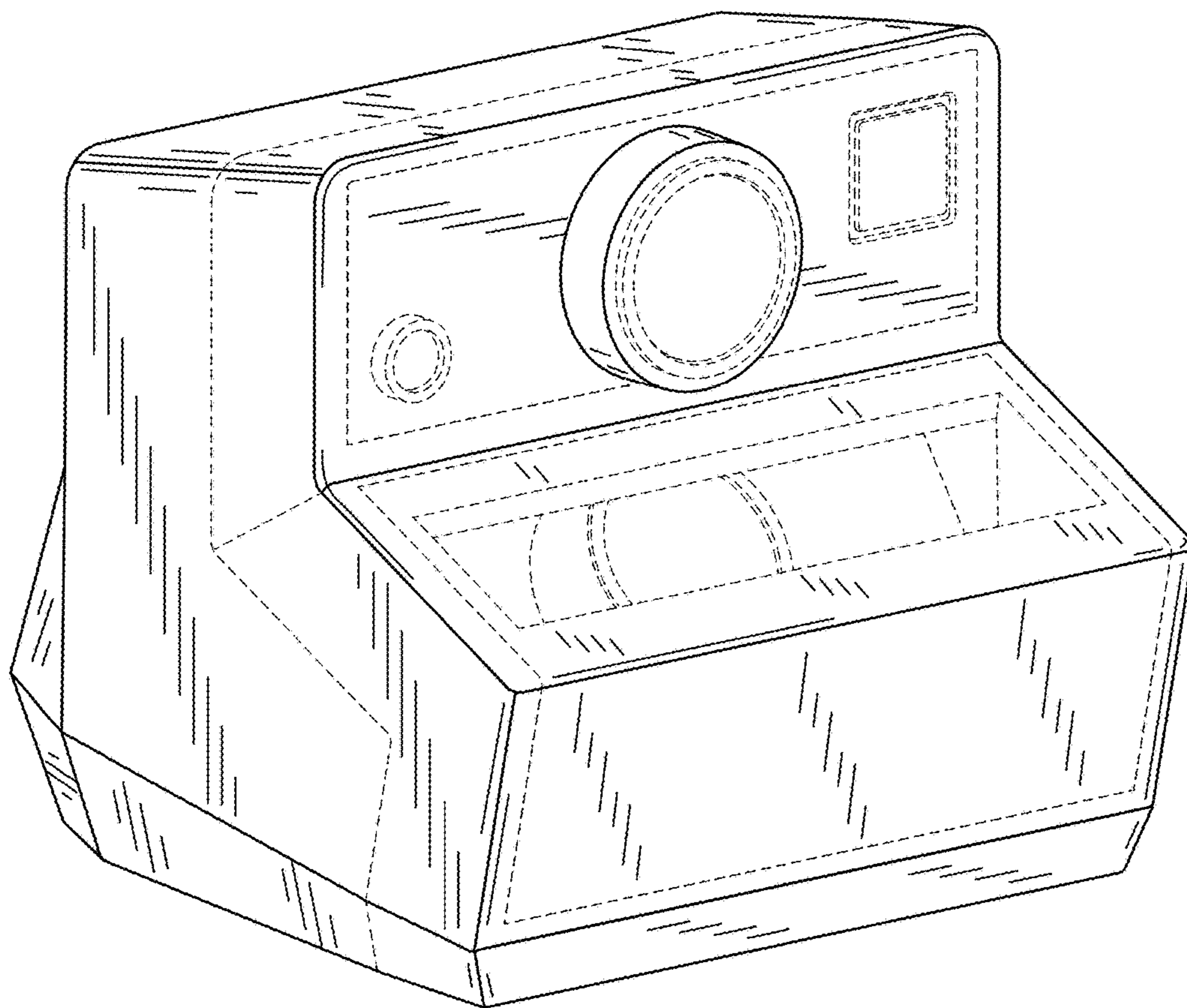


FIG. 1

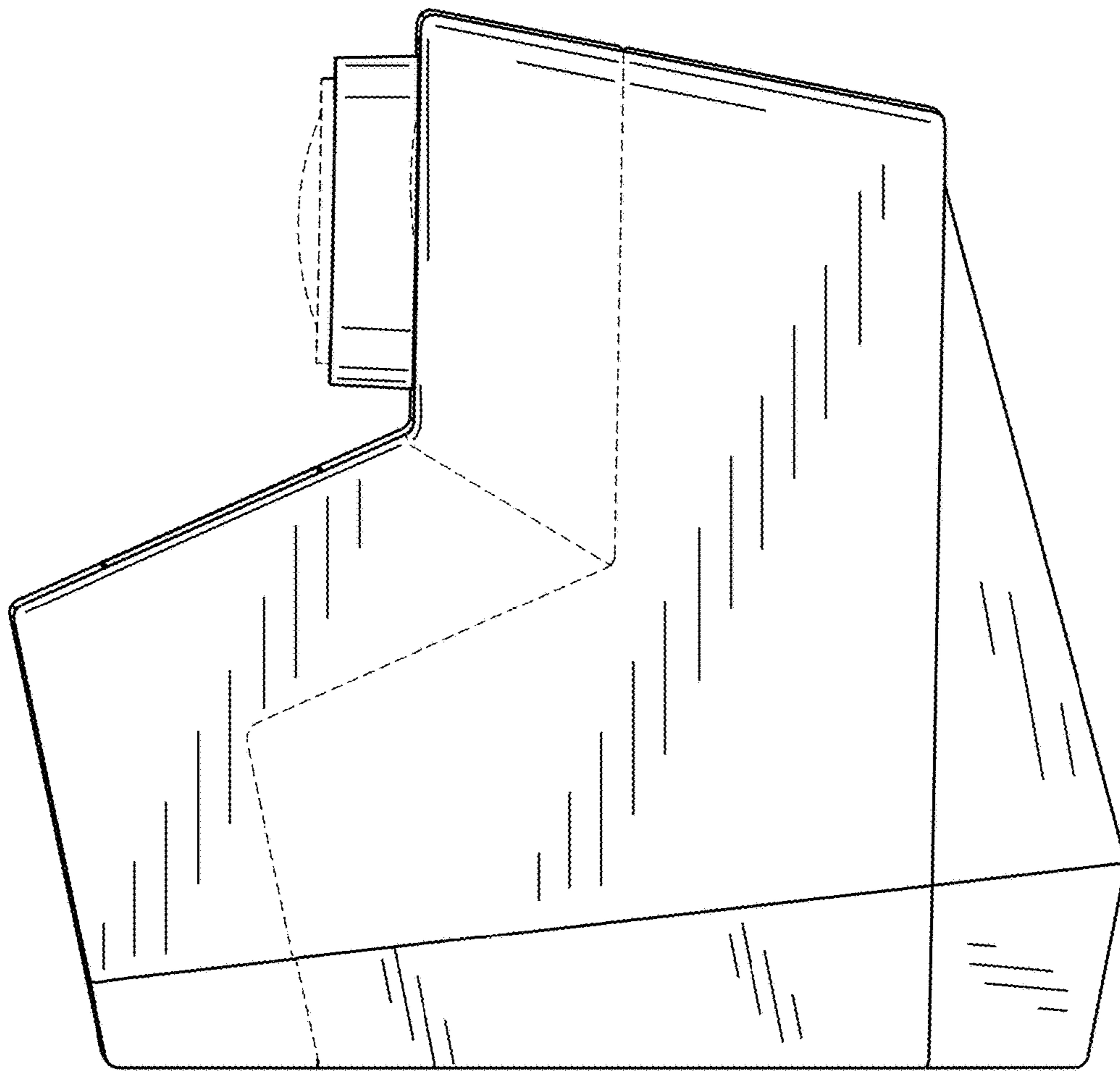


FIG. 2

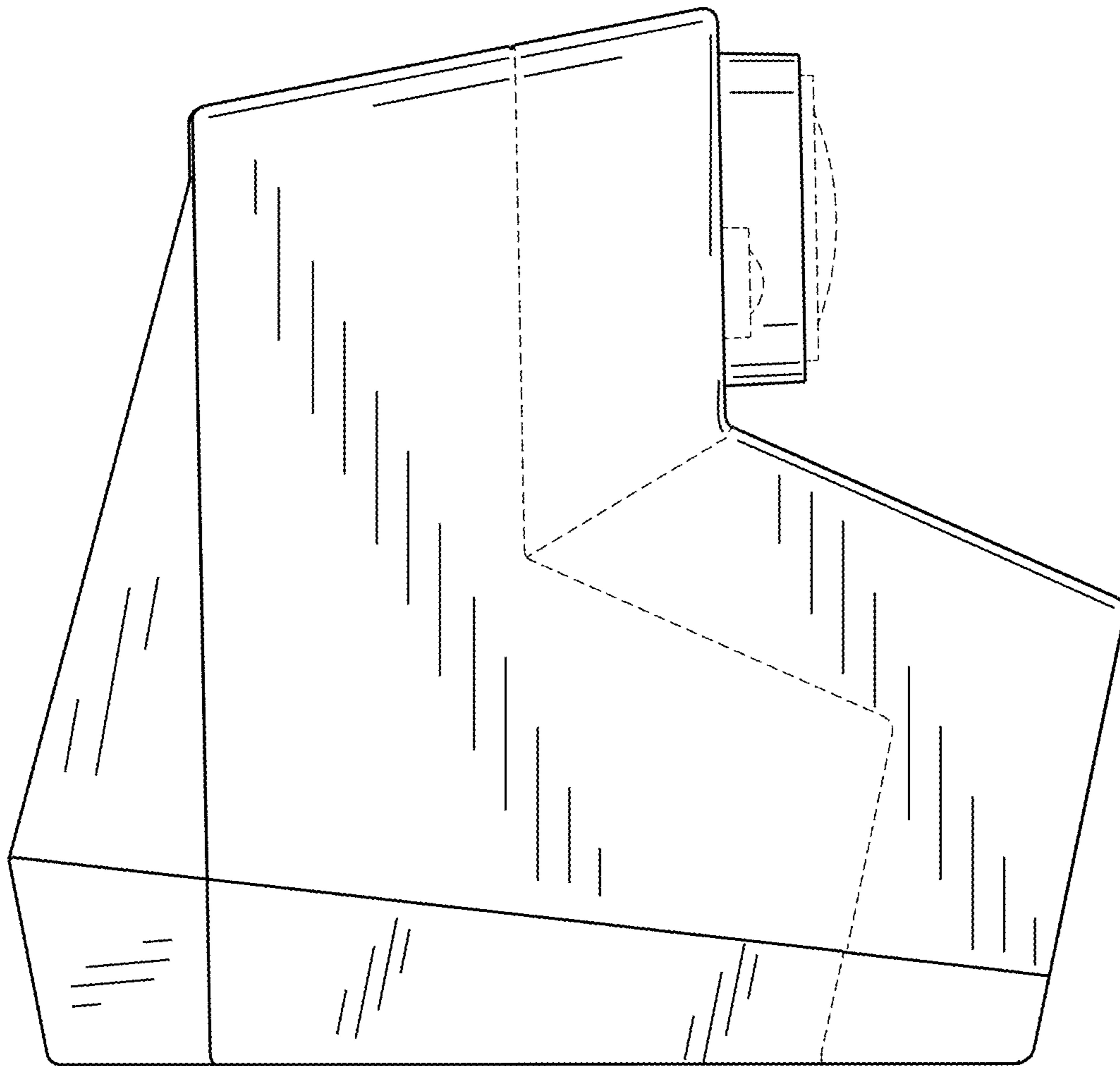


FIG. 3

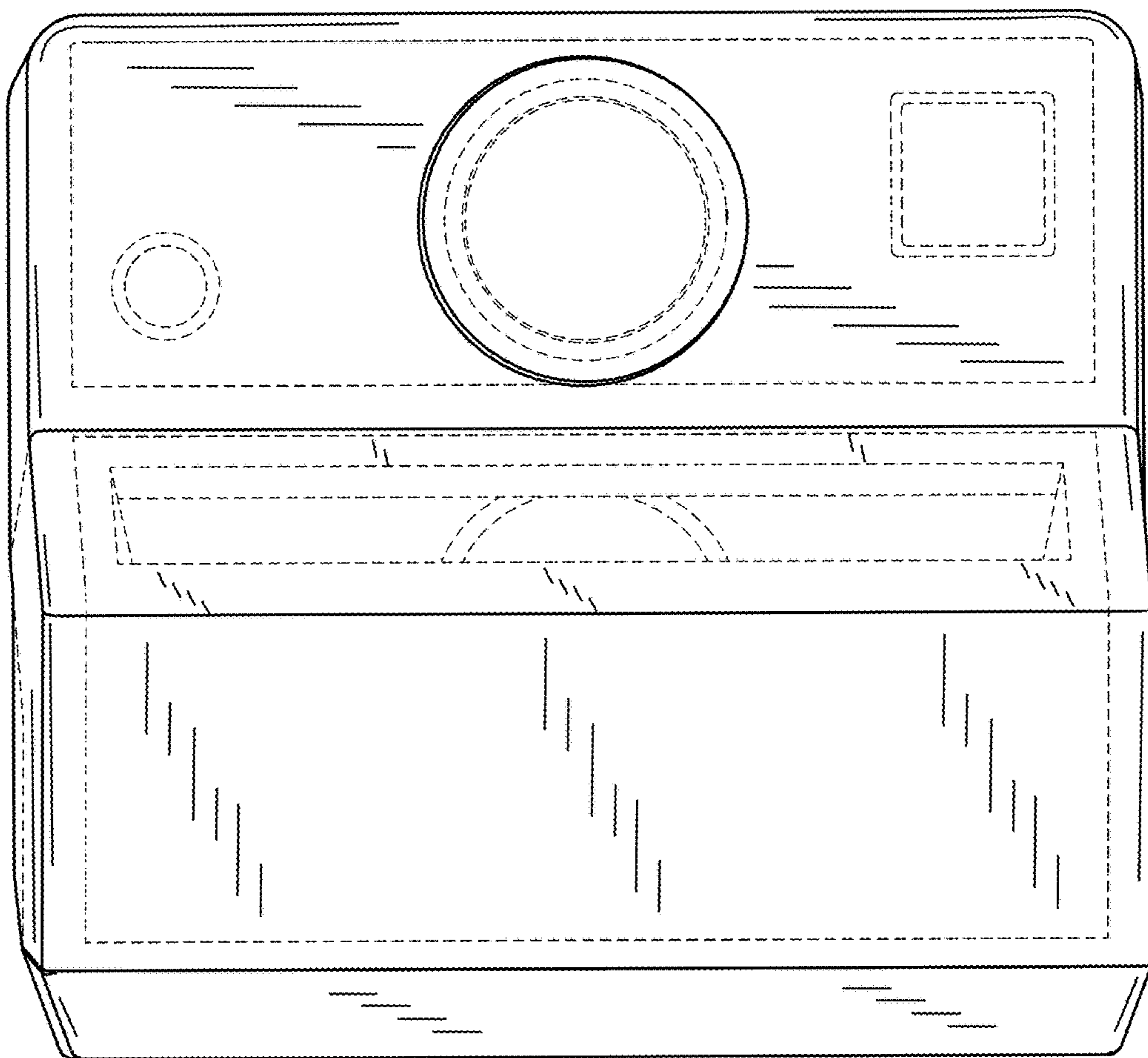


FIG. 4

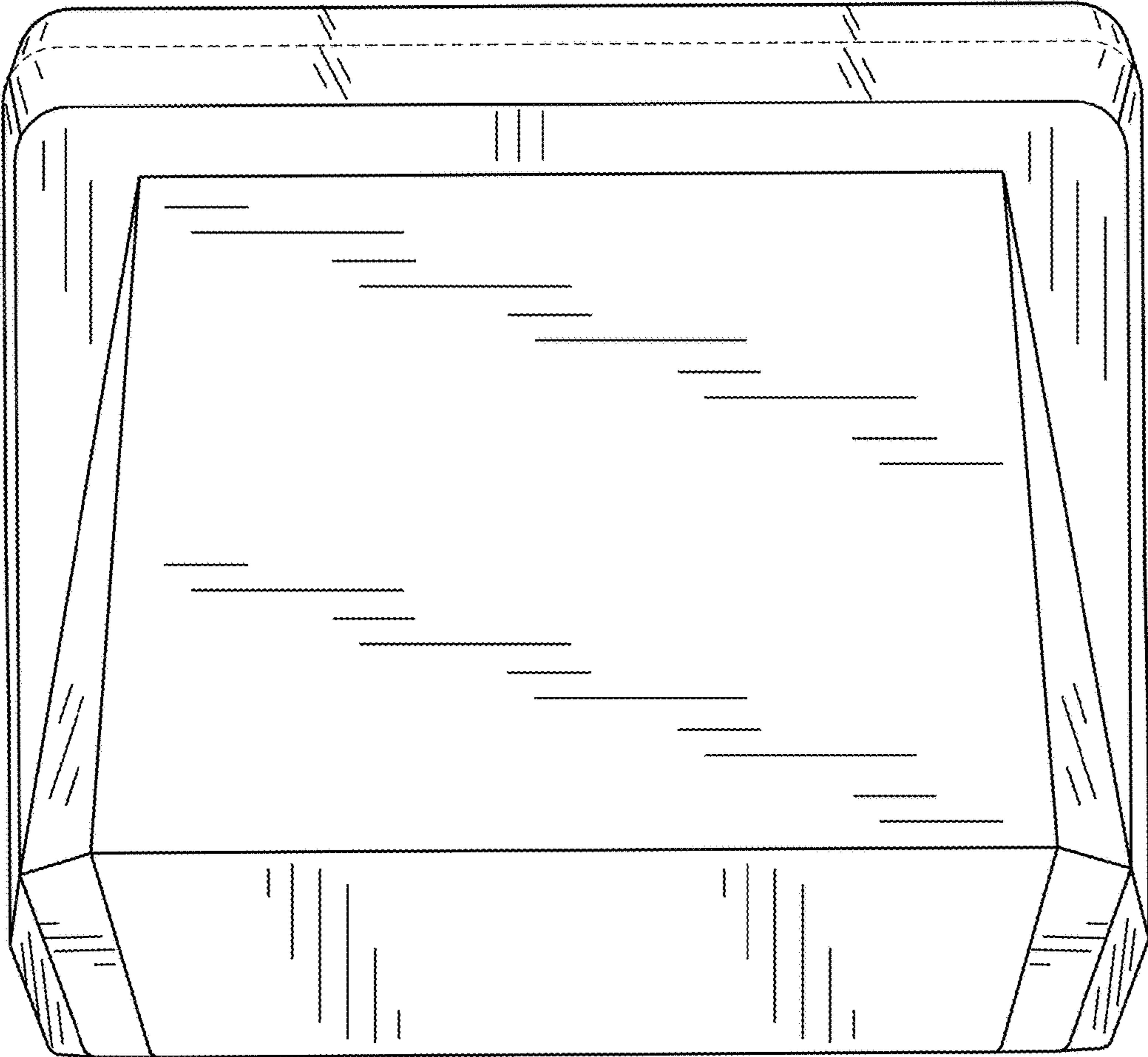


FIG. 5

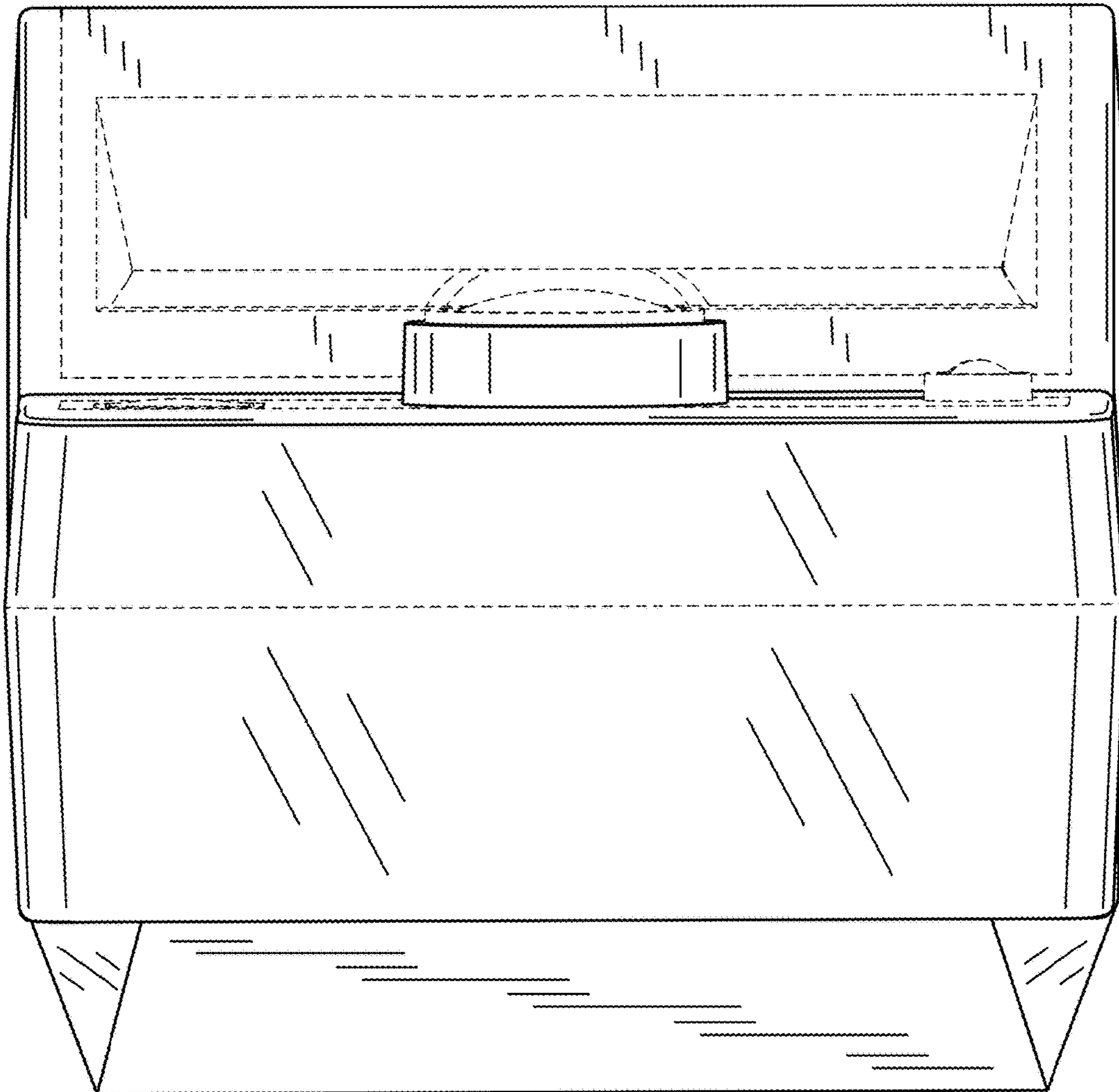


FIG. 6

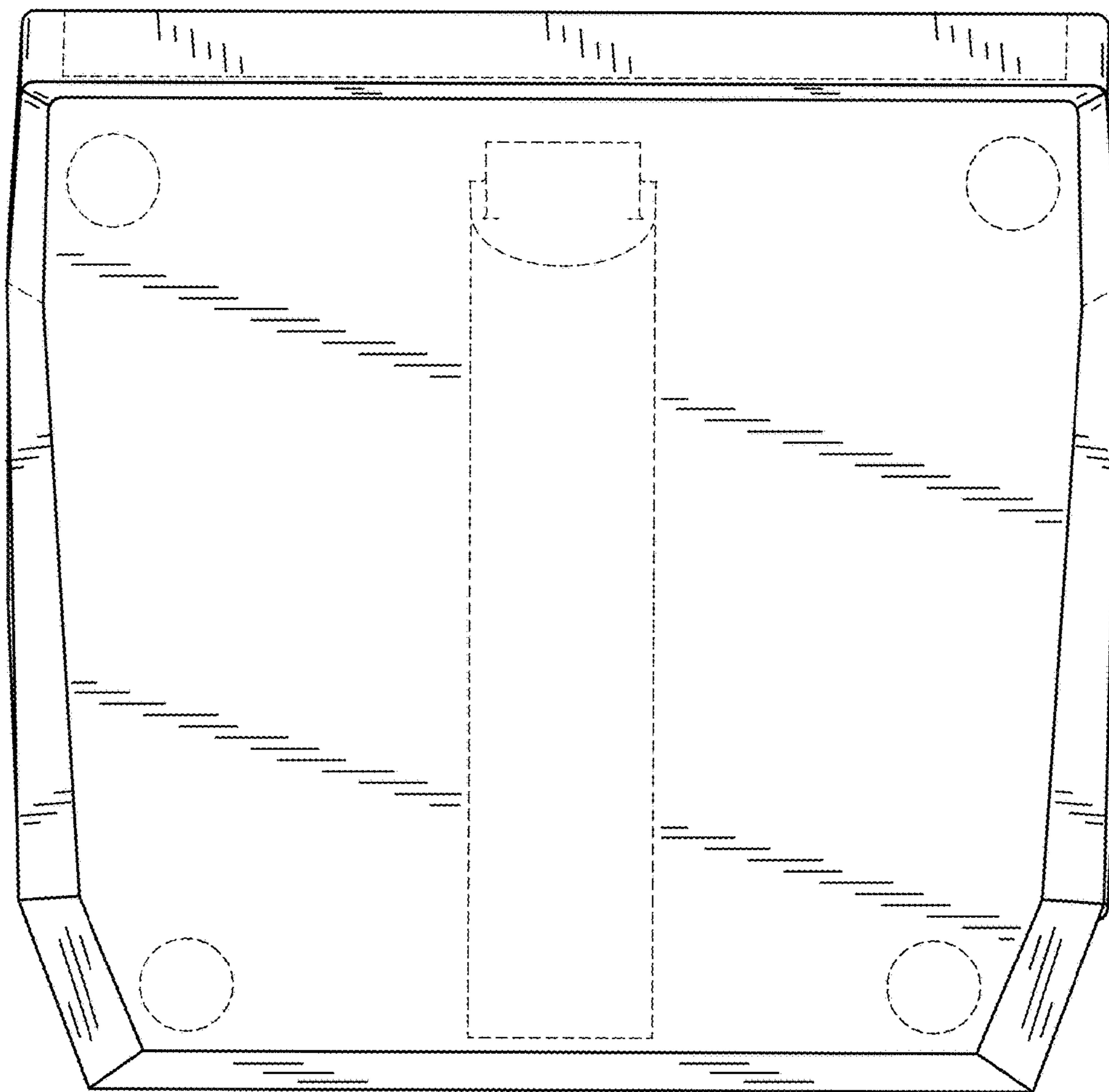


FIG. 7