



US00D788217S

(12) **United States Design Patent**
Moon et al.

(10) **Patent No.:** **US D788,217 S**

(45) **Date of Patent:** **** May 30, 2017**

(54) **PRINTER CARTRIDGE**

(71) Applicant: **Samsung Electronics Co., Ltd.**,
Suwon-si (KR)

(72) Inventors: **Ji-Won Moon**, Anyang-si (KR);
Seung-Chan Park, Hwaseong-si (KR);
Yongkwan Cho, Incheon (KR); **Yongil Moon**, Seoul (KR); **Donggeun Lee**,
Busan (KR); **Sungwook Kang**, Seoul
(KR)

(73) Assignee: **SAMSUNG ELECTRONICS CO., LTD.**,
Suwon-si (KR)

(**) Term: **15 Years**

(21) Appl. No.: **29/534,701**

(22) Filed: **Jul. 30, 2015**

(30) **Foreign Application Priority Data**

Jun. 24, 2015 (KR) 30-2015-0031922

(51) **LOC (10) Cl.** **18-02**

(52) **U.S. Cl.**
USPC **D18/56**

(58) **Field of Classification Search**

USPC D18/12, 40, 43, 56; D20/11, 19, 22, 27,
D20/28

CPC B41J 3/4075; B41J 15/044; B41J 32/00;
B31D 1/027; G06F 17/30725; G06Q
20/3274; G06Q 20/3276; B14J 2/17;
B14J 2/1721; B14J 2/17503; B14J
2/175013; B14J 2/1752; B14J 2/17523;
B14J 2/17553; B14J 2/17556; B14J
2/185; B14J 29/377

See application file for complete search history.

(56) **References Cited**

U.S. PATENT DOCUMENTS

D322,279 S * 12/1991 Tsutsui D18/43
D362,014 S * 9/1995 Ishibashi D18/40

D374,250 S * 10/1996 Yabuki D18/40
D374,455 S * 10/1996 Senshiki D18/40
D377,662 S * 1/1997 Ootani D18/40
D397,140 S * 8/1998 Oshida D18/40
D410,676 S * 6/1999 Kurabayashi D18/40
D460,980 S * 7/2002 Matsuzaki D18/40
D478,615 S * 8/2003 Karakama D18/40
D492,958 S * 7/2004 Karakama D18/40
D500,335 S * 12/2004 Karakama D18/40
D500,515 S * 1/2005 Karakama D18/40
D501,021 S * 1/2005 Saiki D18/40
D501,022 S * 1/2005 Saiki D18/40
D509,533 S * 9/2005 Karakama D18/40
D524,359 S * 7/2006 Karakama D18/40
D577,061 S * 9/2008 Kim D18/43
D583,860 S * 12/2008 Kubota D18/43

(Continued)

Primary Examiner — Cathron Brooks

Assistant Examiner — Andrew Nemeth

(74) *Attorney, Agent, or Firm* — McAndrews Held &
Malloy, Ltd.

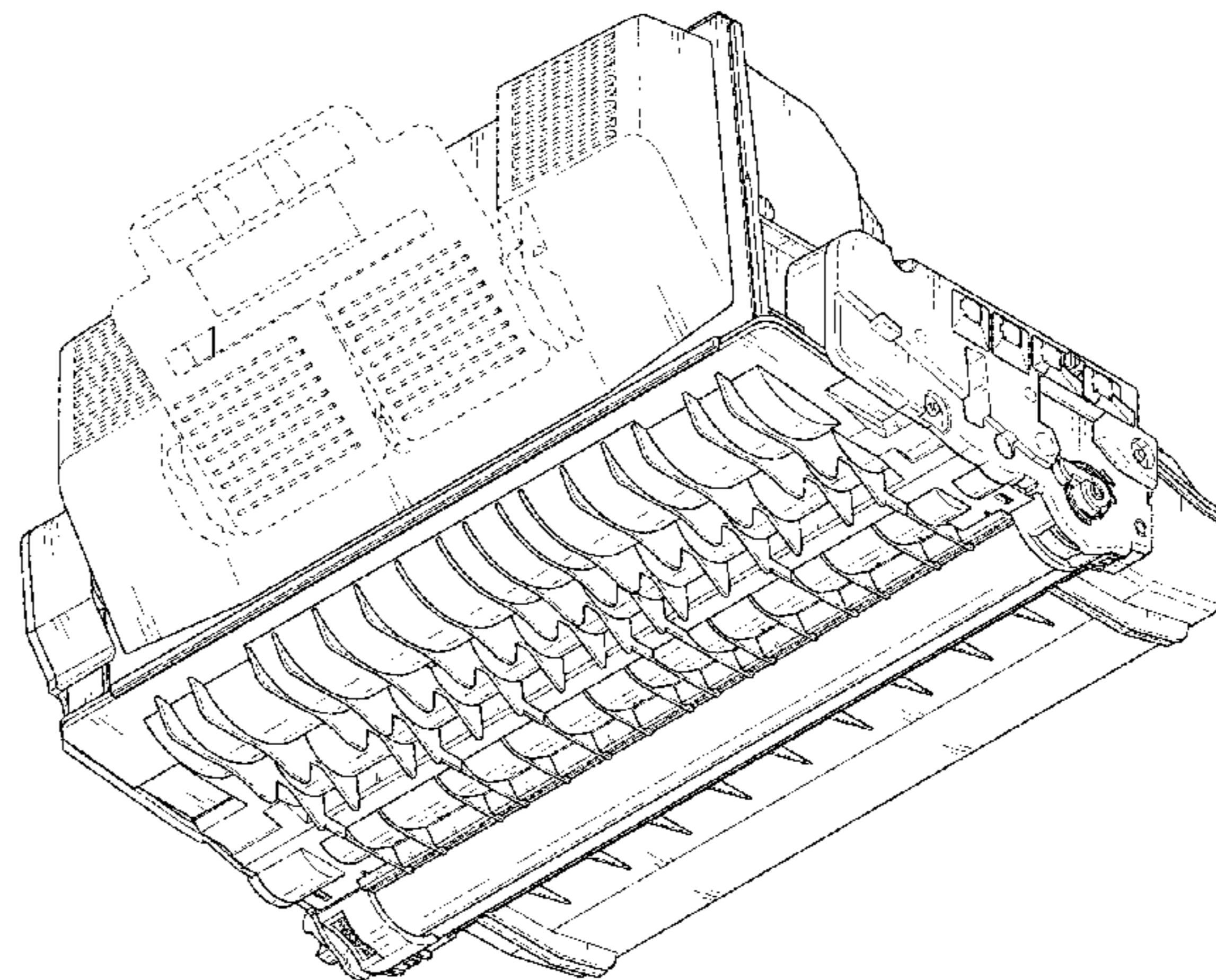
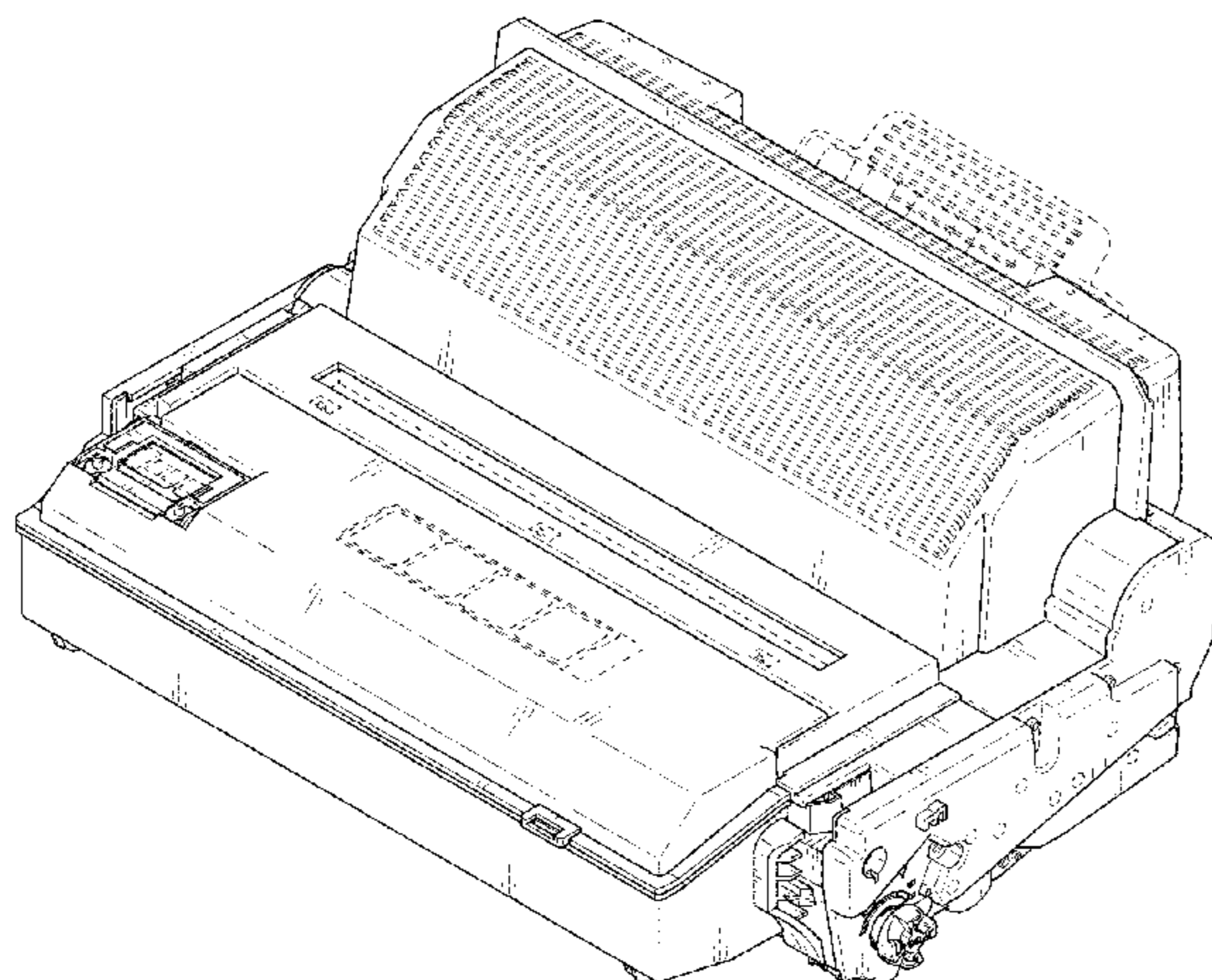
(57) **CLAIM**

The ornamental design for a printer cartridge, as shown and described.

DESCRIPTION

FIG. 1 is a front perspective view of a printer cartridge showing our new design;
FIG. 2 is a front elevation view thereof;
FIG. 3 is a rear elevation view thereof;
FIG. 4 is a left side elevation view thereof;
FIG. 5 is a right side elevation view thereof;
FIG. 6 is a top plan view thereof;
FIG. 7 is a bottom plan view thereof; and,
FIG. 8 is a rear perspective view thereof.
The dashed broken lines in the figures illustrate portions of the printer cartridge which form no part of the claimed design.

1 Claim, 8 Drawing Sheets



(56)

References Cited

U.S. PATENT DOCUMENTS

D585,482 S *	1/2009	Kubota	D18/43
D600,276 S *	9/2009	Noh	D18/43
D727,411 S *	4/2015	Moon	D18/43
D728,014 S *	4/2015	Lee	D18/56
2007/0071496 A1 *	3/2007	Lee	G03G 21/1853 399/111

* cited by examiner

FIG. 1

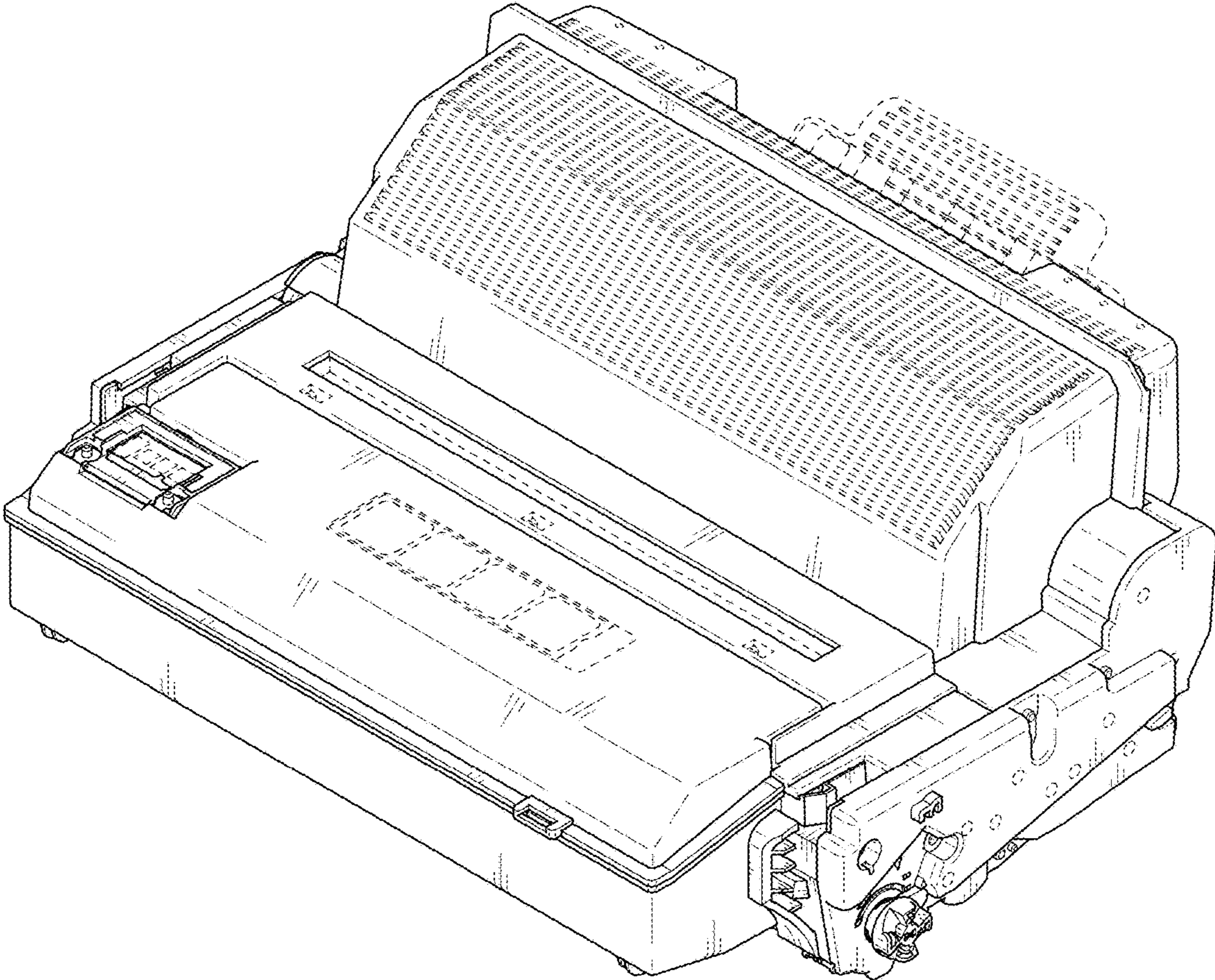


FIG. 2

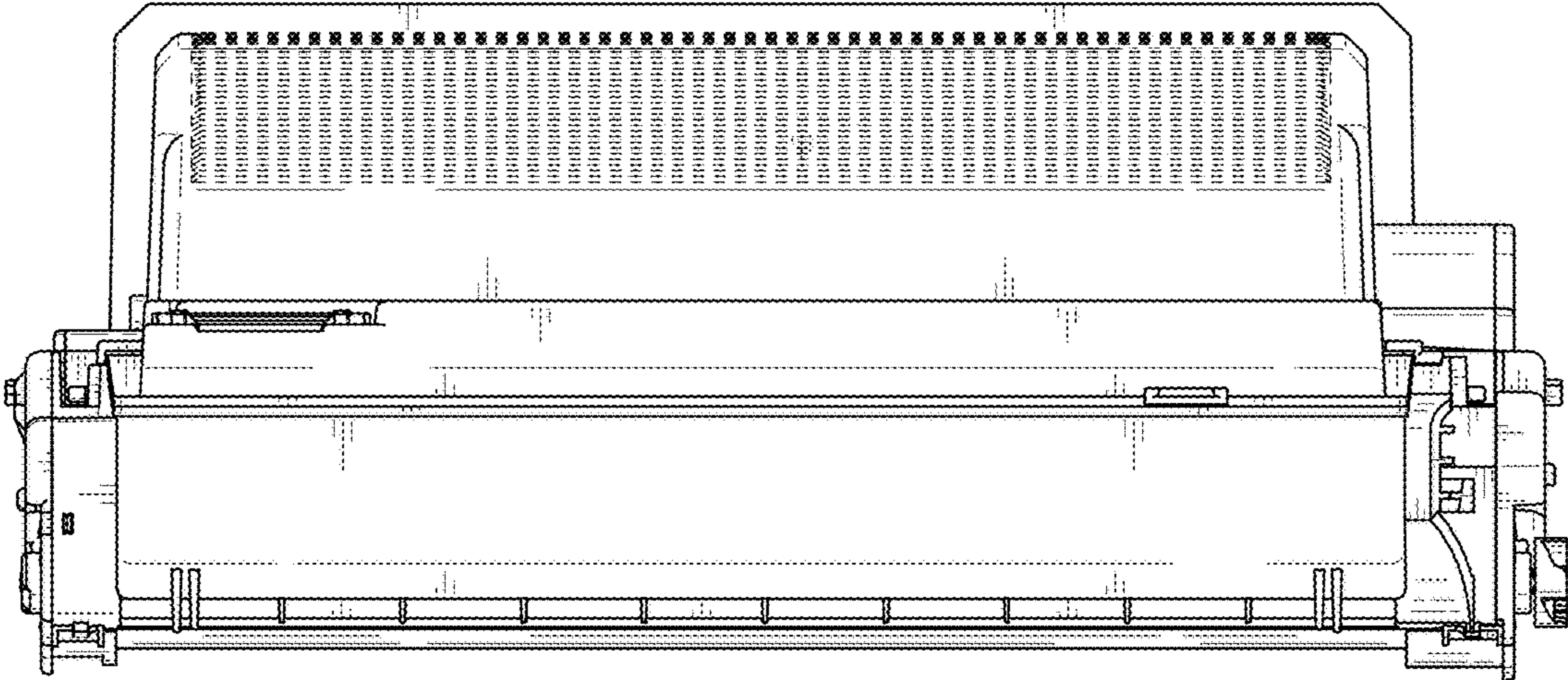


FIG. 3

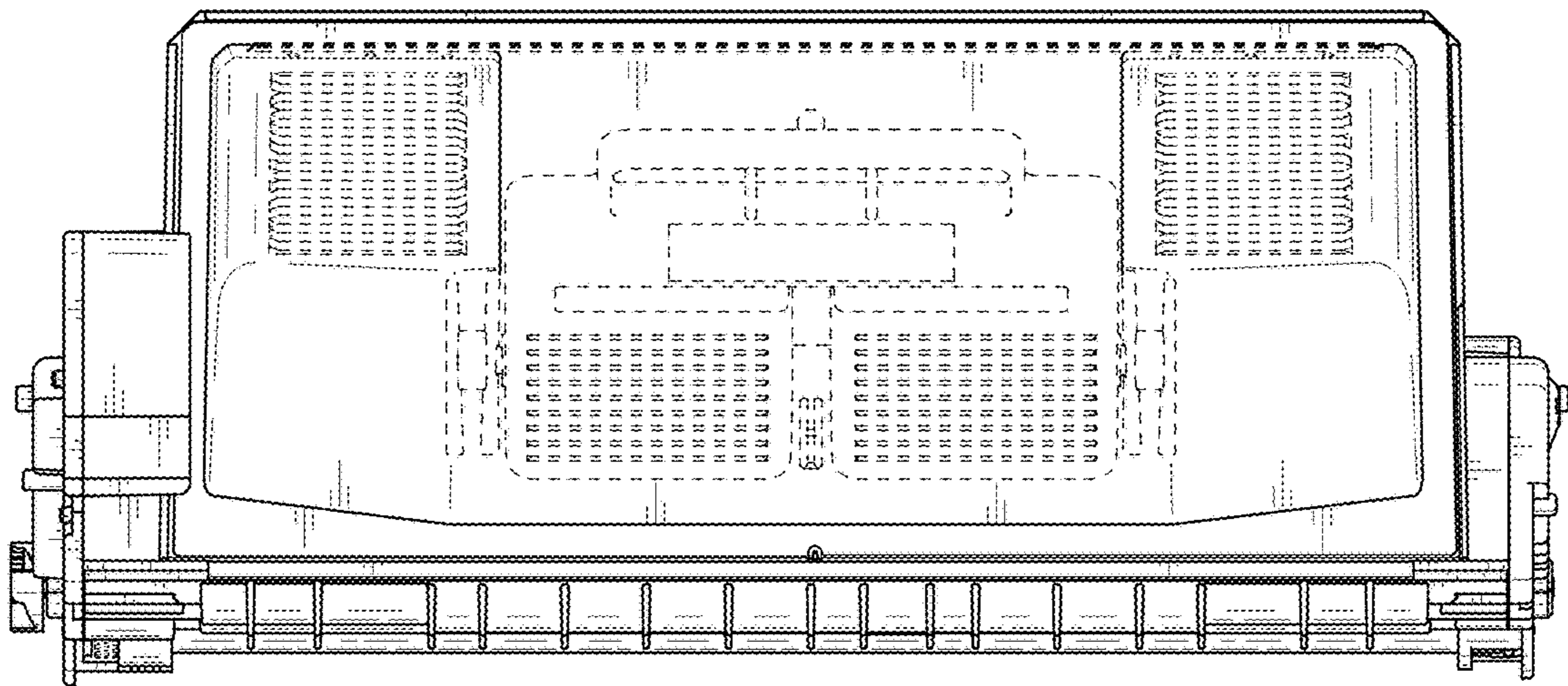


FIG. 4

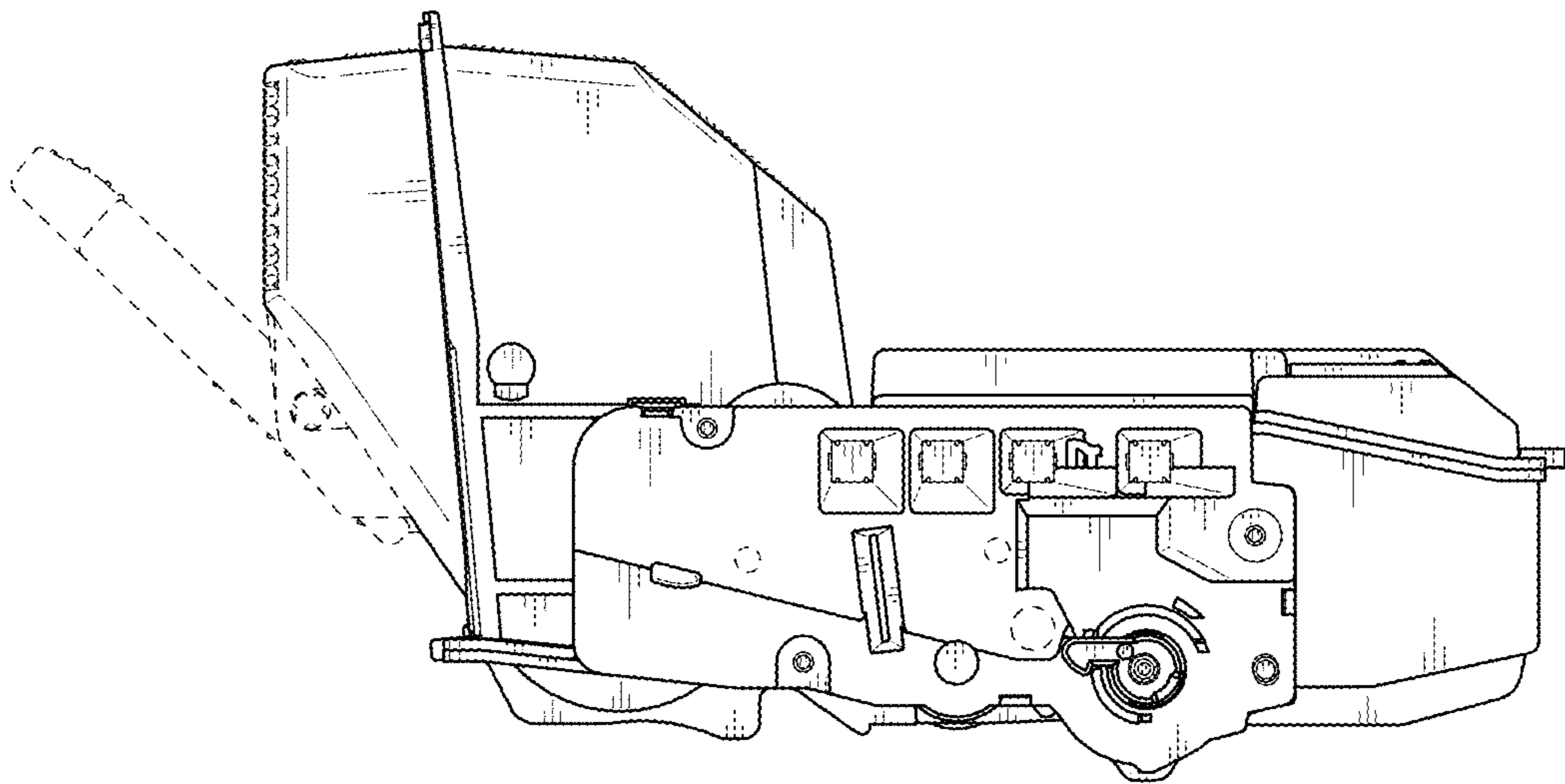


FIG. 5

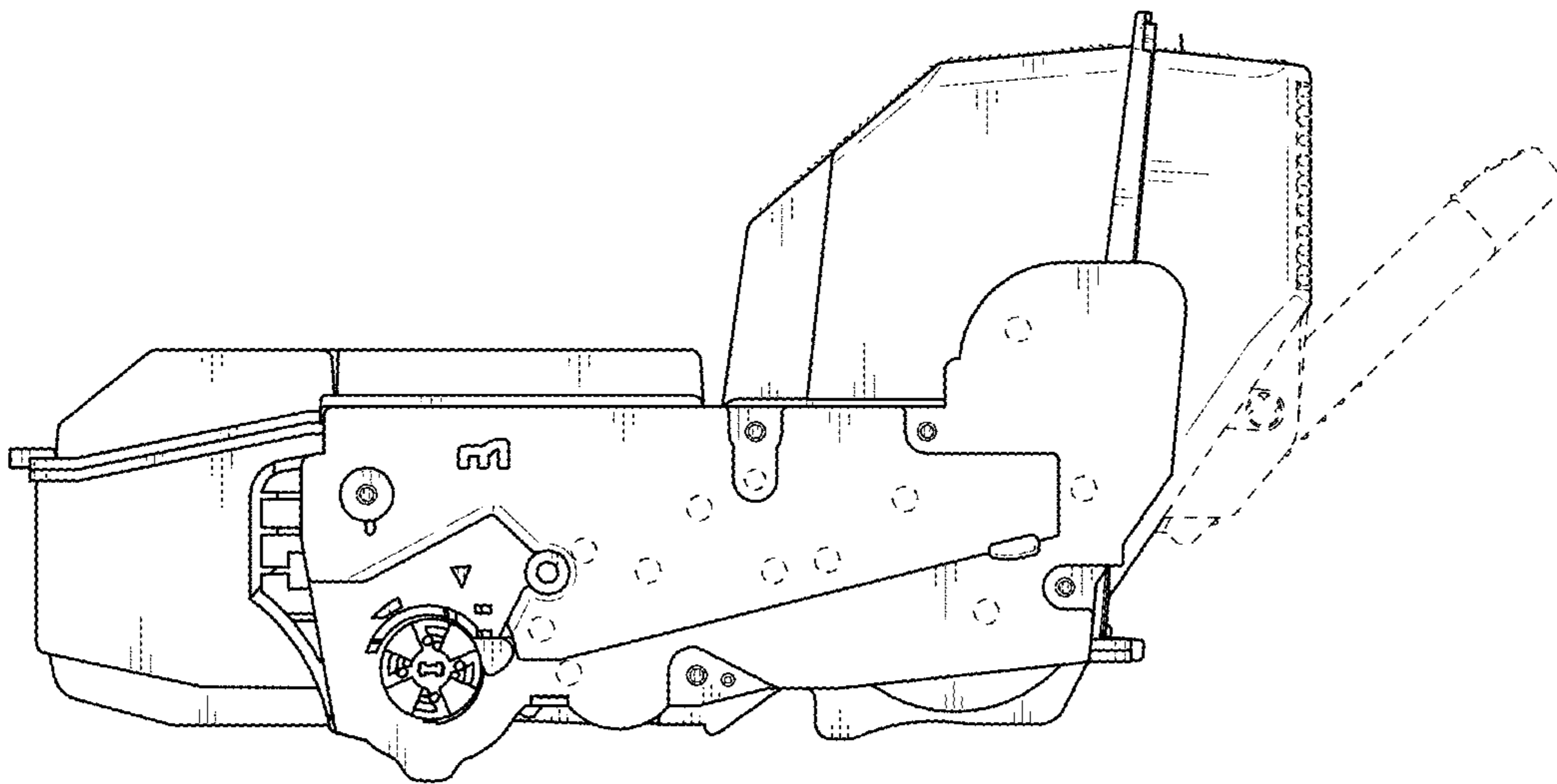


FIG. 6

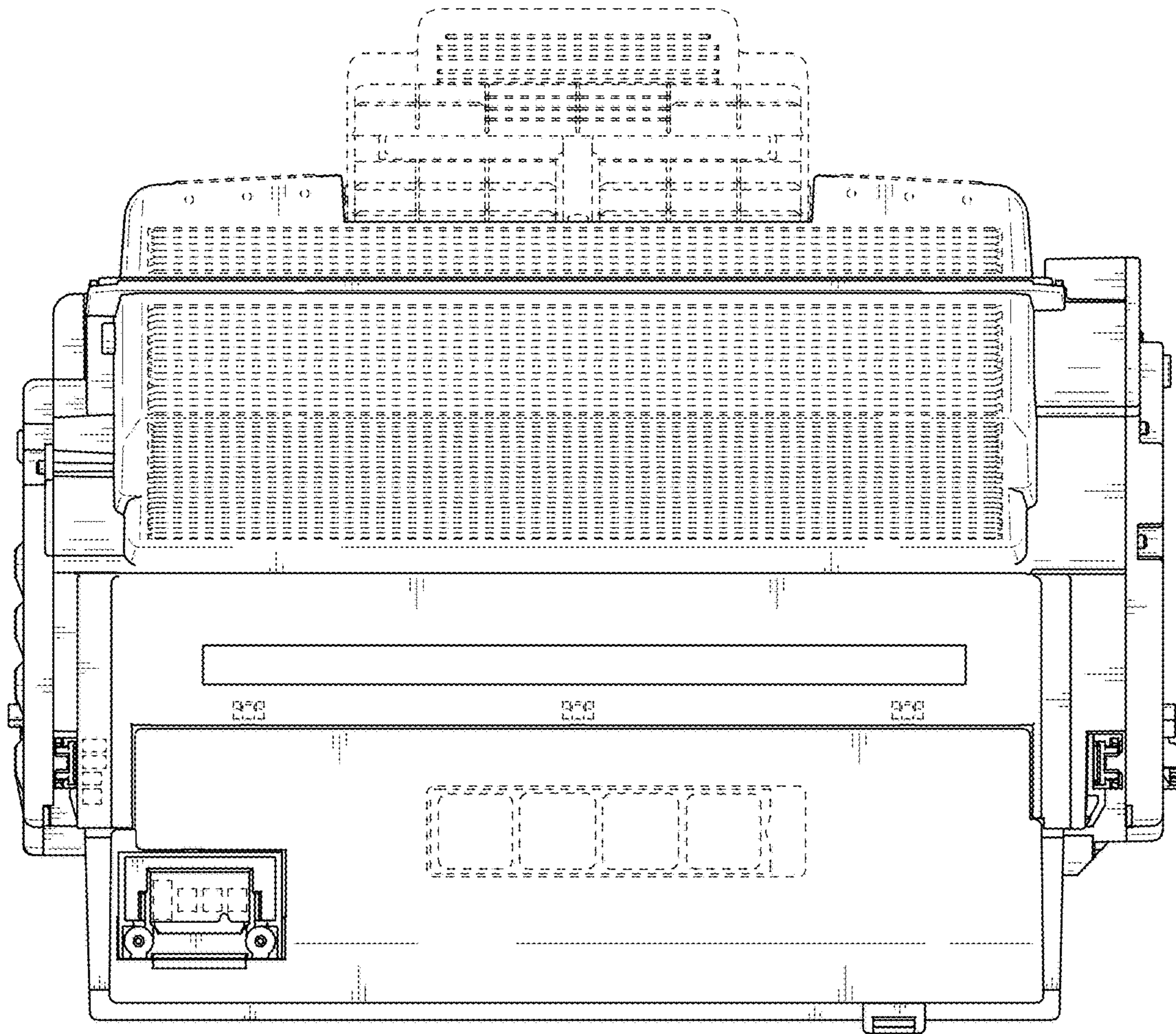


FIG. 7

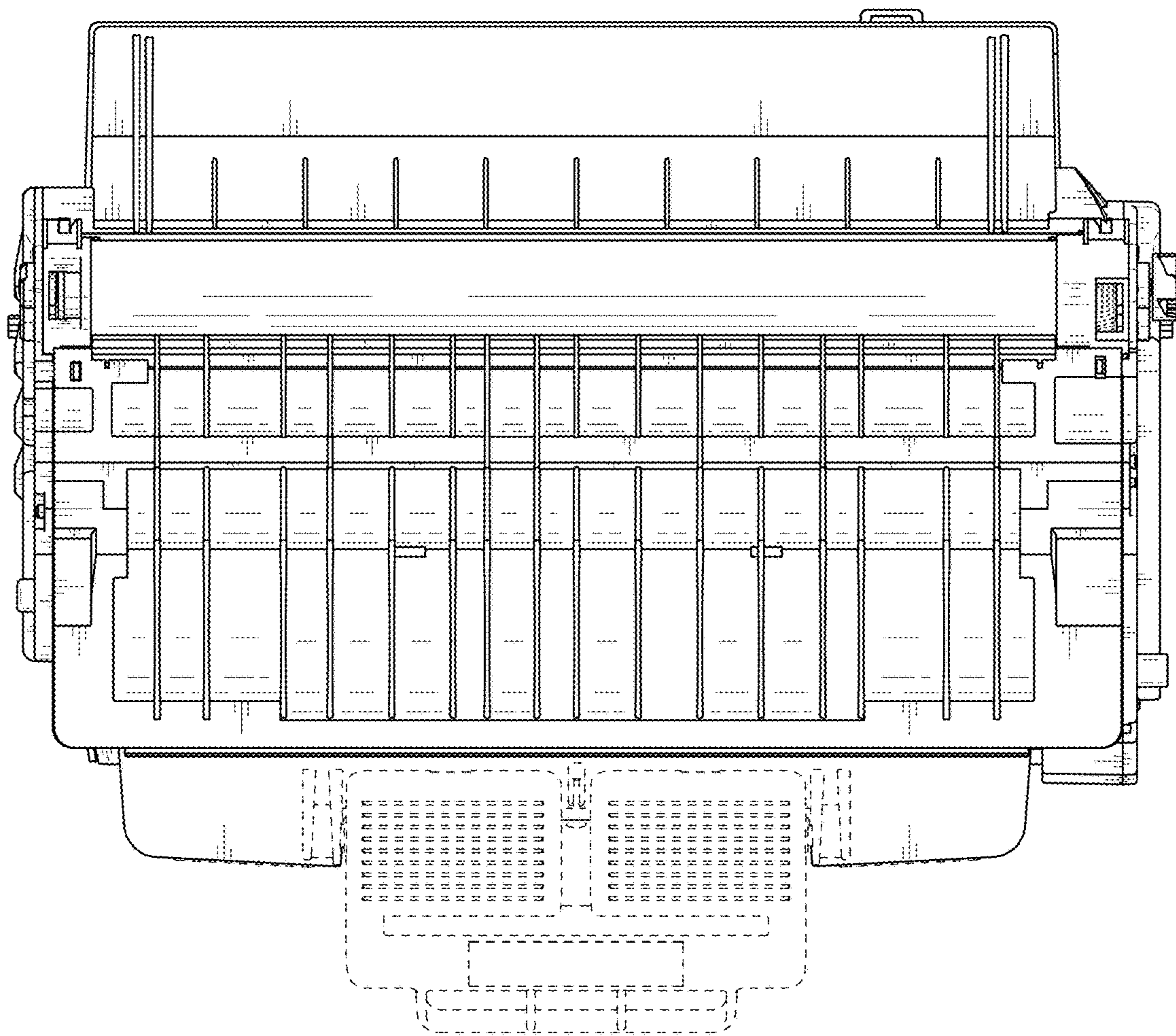


FIG. 8

