



US00D788215S

(12) **United States Design Patent** (10) **Patent No.:** **US D788,215 S**  
**Lorenzen** (45) **Date of Patent:** **\*\* May 30, 2017**

(54) **FRANKING SYSTEM**

D689,131 S \* 9/2013 Lorenzen ..... D18/35.1  
D689,132 S \* 9/2013 Lorenzen ..... D18/35.1  
D689,133 S \* 9/2013 Lorenzen ..... D18/35.1

(71) Applicant: **FRANCOTYP-POSTALIA GMBH**,  
Berlin (DE)

**FOREIGN PATENT DOCUMENTS**

(72) Inventor: **Matthias Lorenzen**, Berlin (DE)

DE EP 1615175 A2 \* 1/2006 ..... G01G 19/4148

(73) Assignee: **Francotyp-Postalia GmbH**, Berlin  
(DE)

**OTHER PUBLICATIONS**

(\*\*) Term: **14 Years**

YouTube. <URL: <https://www.youtube.com/watch?v=LIU0rFLMre0>>. Nov. 6, 2014. Postbase Mini franking machine.\*

(21) Appl. No.: **29/524,312**

YouTube. <URL: <https://www.youtube.com/watch?v=dEnu2-Qhn4o>>. May 5, 2015. Francotyp-Postalia PostBase Mini.\*

(22) Filed: **Apr. 20, 2015**

\* cited by examiner

(30) **Foreign Application Priority Data**

Oct. 18, 2014 (EM) ..... 001424220-0001

(51) **LOC (10) Cl.** ..... **18-02**

(52) **U.S. Cl.**  
USPC ..... **D18/51; D18/35.1**

(58) **Field of Classification Search**  
USPC ..... D18/51, 35.1  
CPC ..... G01G 23/20; G07B 2017/00217; G07B  
2017/00701; G07B 2017/00709; G07B  
2017/00717

See application file for complete search history.

*Primary Examiner* — Bridget L Eland

*Assistant Examiner* — Lauren McVey

(74) *Attorney, Agent, or Firm* — Laurence A. Greenberg;  
Werner H. Stemer; Ralph E. Locher

(56) **References Cited**

**U.S. PATENT DOCUMENTS**

D439,272 S \* 3/2001 Kobayashi ..... D14/422  
D520,053 S \* 5/2006 Sugrue ..... D18/51  
D526,008 S \* 8/2006 Friedrich ..... D18/51  
D529,079 S \* 9/2006 Sugrue ..... D18/51  
D529,544 S \* 10/2006 Friedrich ..... D18/51  
7,343,359 B2 \* 3/2008 Fearis ..... G07B 17/00193  
177/25.15  
7,410,316 B2 \* 8/2008 Geserich ..... G07B 17/00193  
347/222  
D602,075 S \* 10/2009 Sugrue ..... D18/51  
D689,130 S \* 9/2013 Lorenzen ..... D18/35.1

(57) **CLAIM**

The ornamental design for a franking system, as shown and described.

**DESCRIPTION**

FIG. 1 is a front perspective view of the franking system showing my new invention;

FIG. 2 is a top plan view thereof;

FIG. 3 is a right side elevation view thereof;

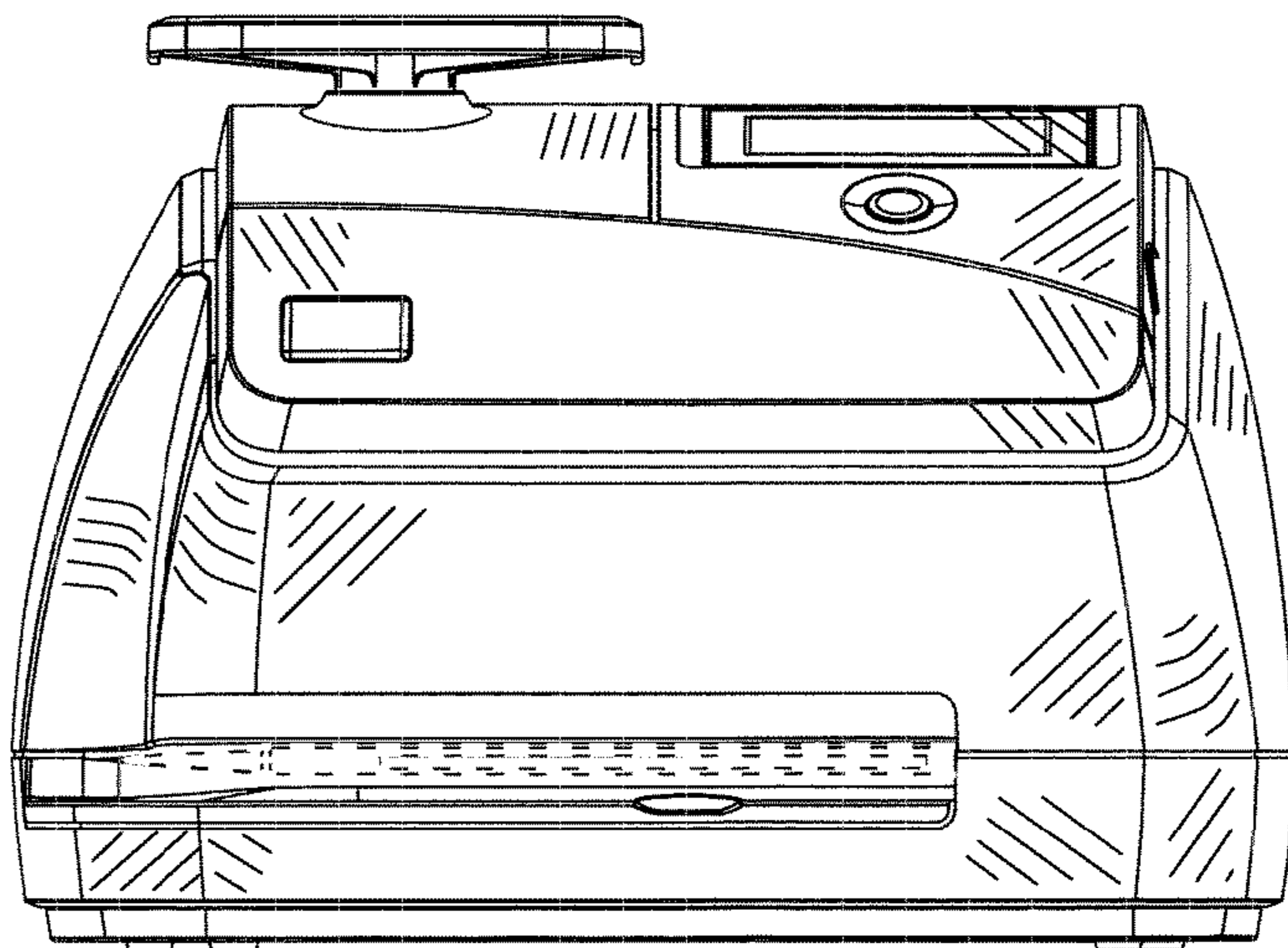
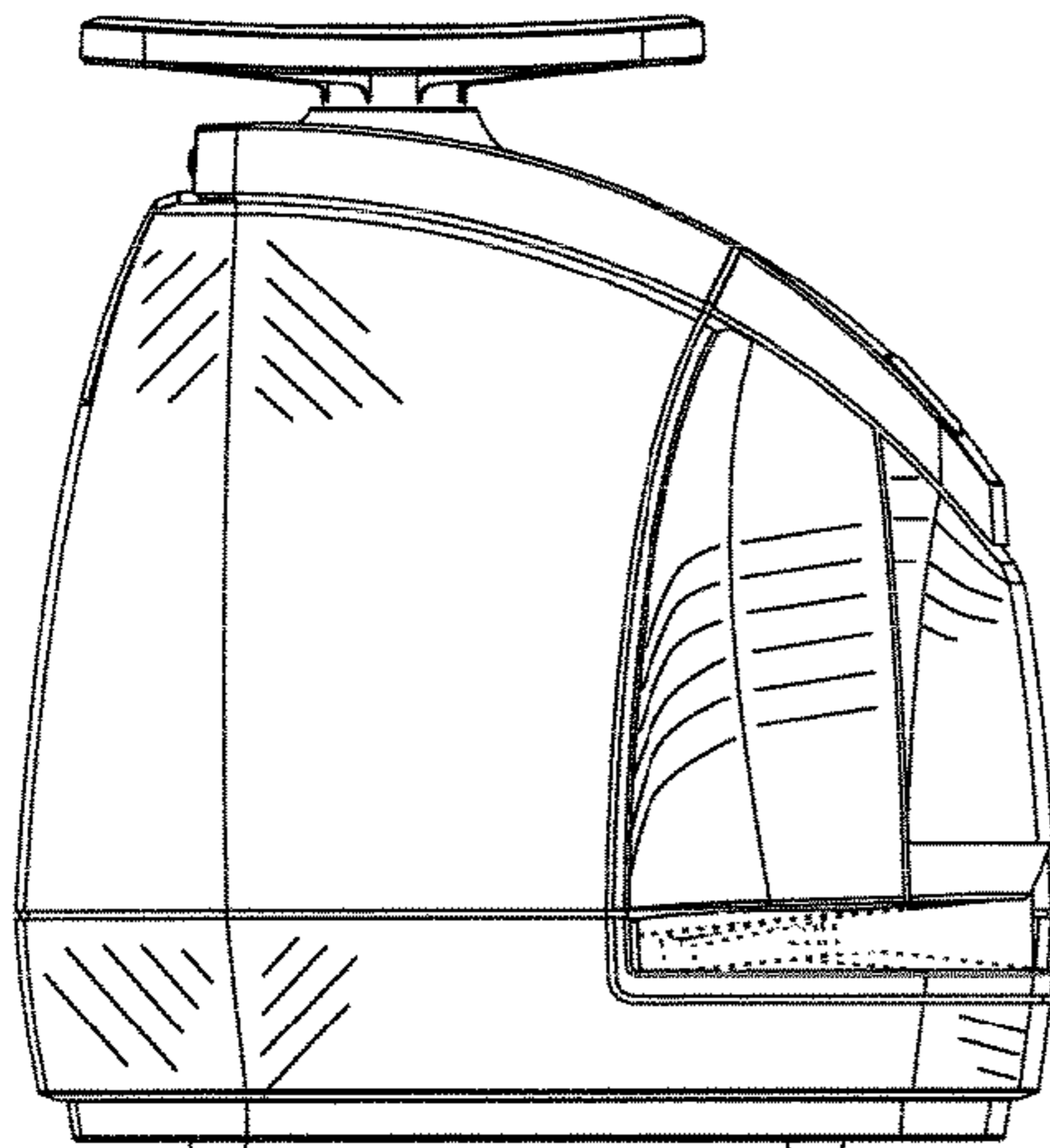
FIG. 4 is a left side elevation view thereof;

FIG. 5 is a front elevation view thereof; and,

FIG. 6 is a rear elevation view thereof.

The broken lines immediately adjacent the claim represent the bounds of the claimed design while all other broken lines are directed to environment and are for illustrative purposes only; the broken lines form no part of the claimed design. The wire frame lines shown throughout the views are intended to indicate surface contour.

**1 Claim, 5 Drawing Sheets**



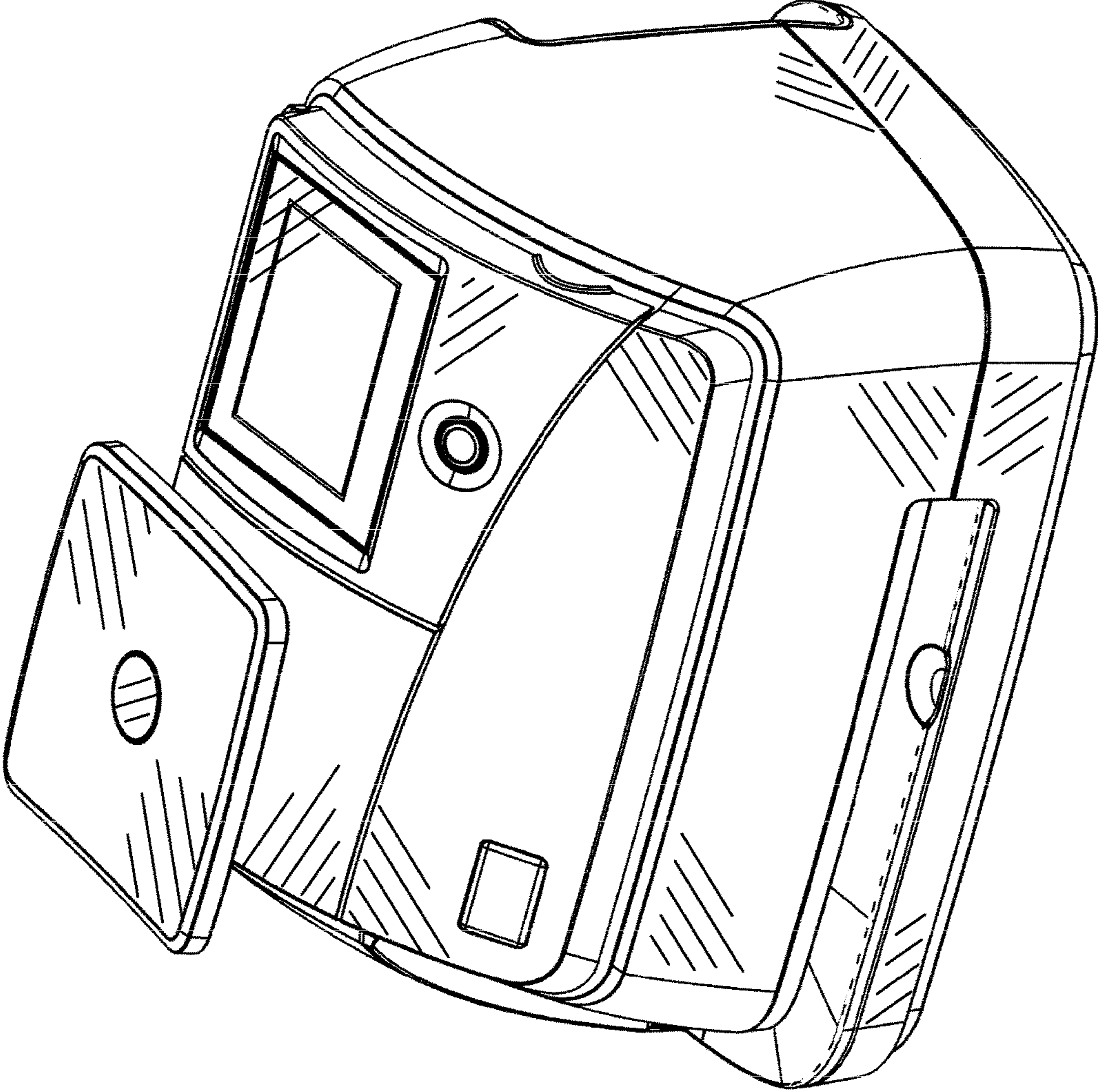


FIG. 1

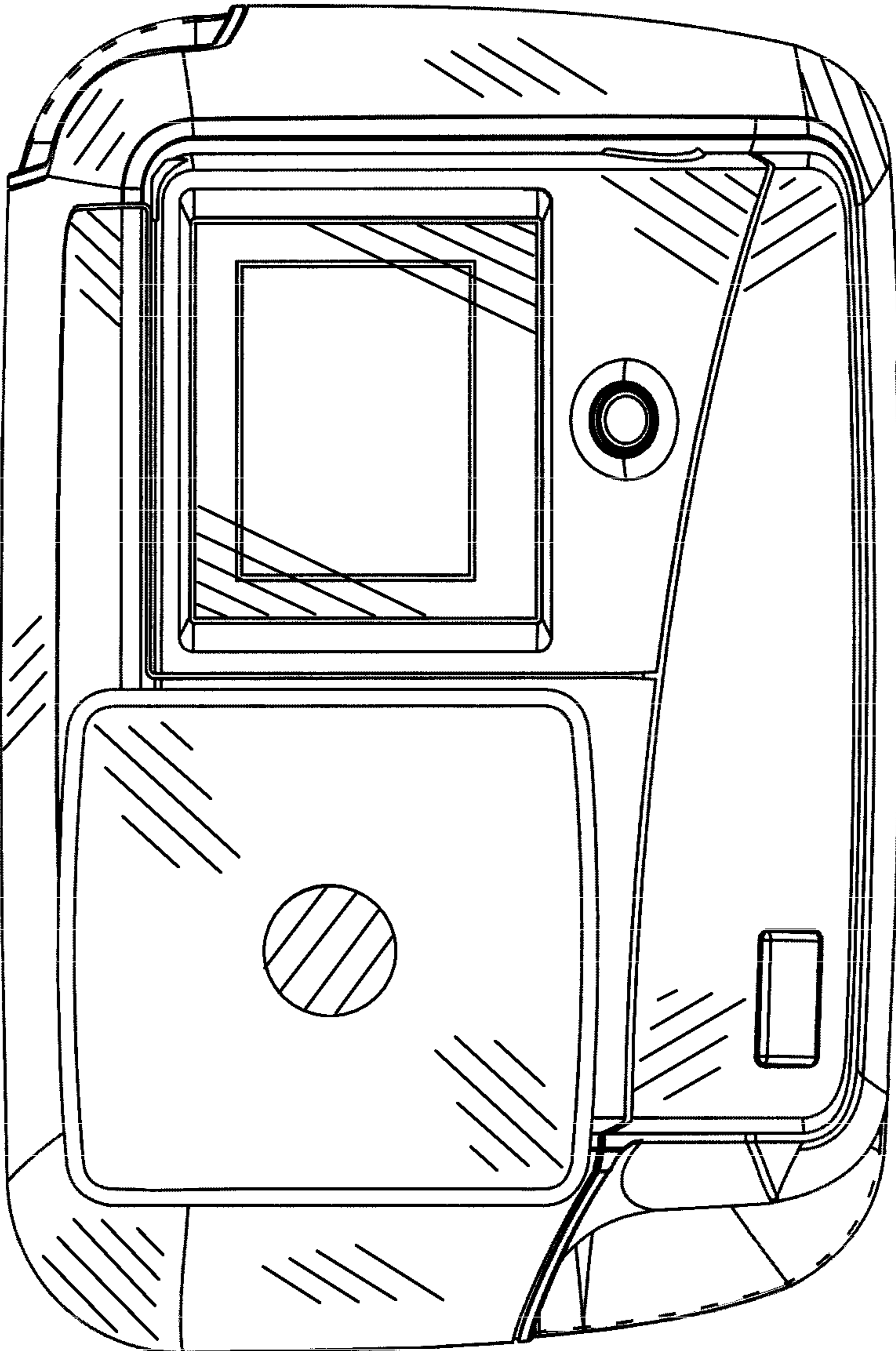


FIG. 2

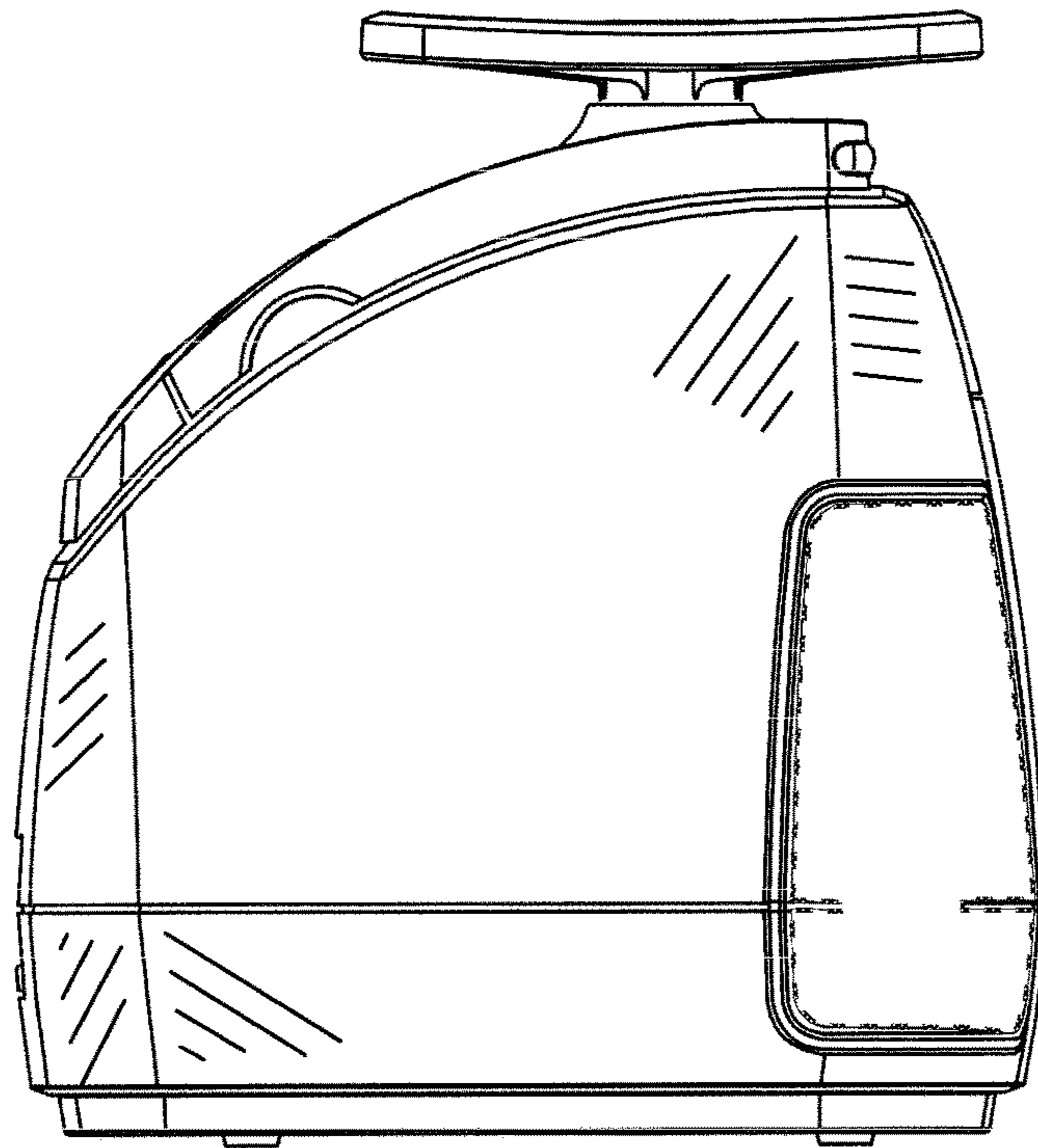


FIG. 3

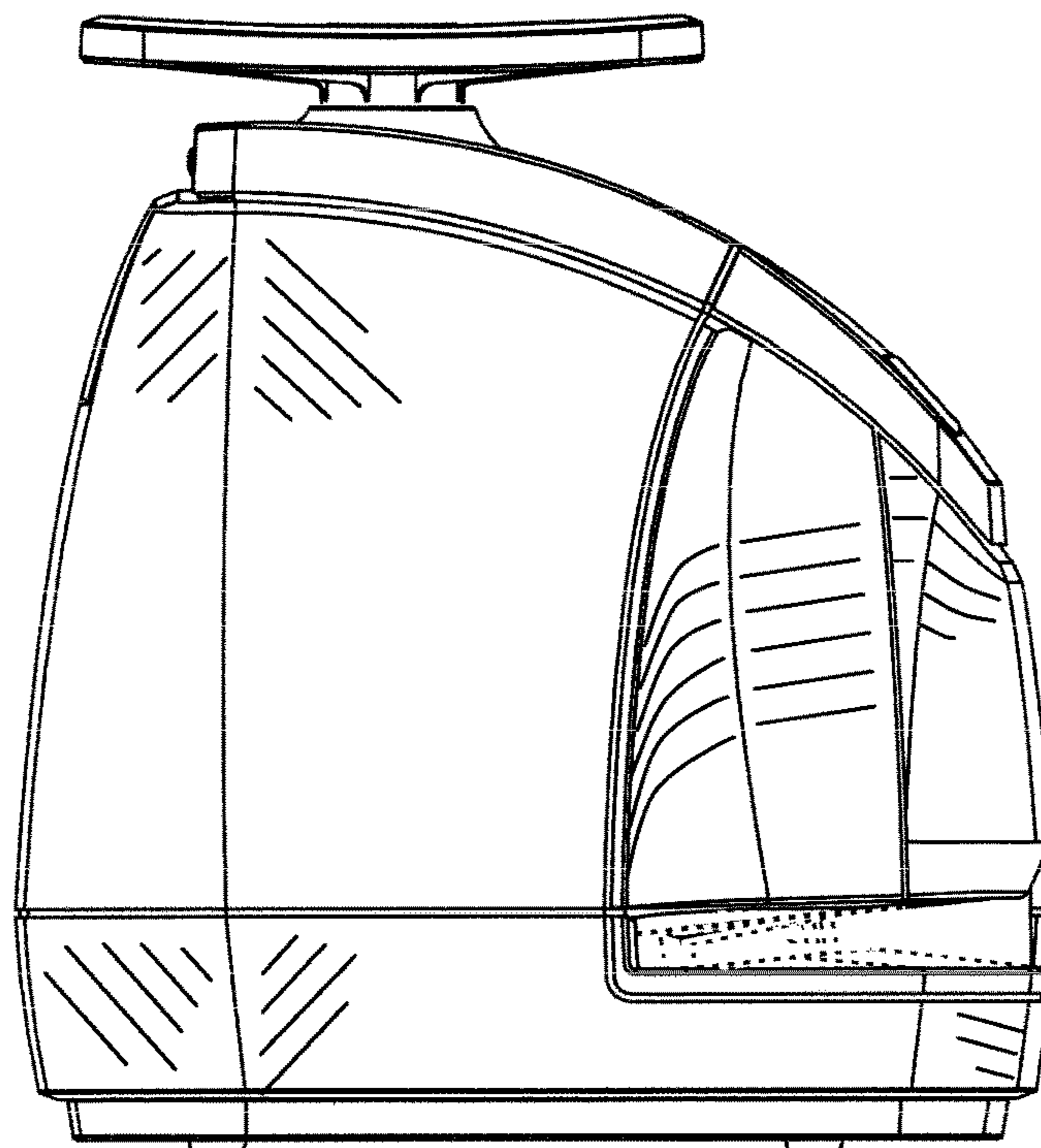


FIG. 4

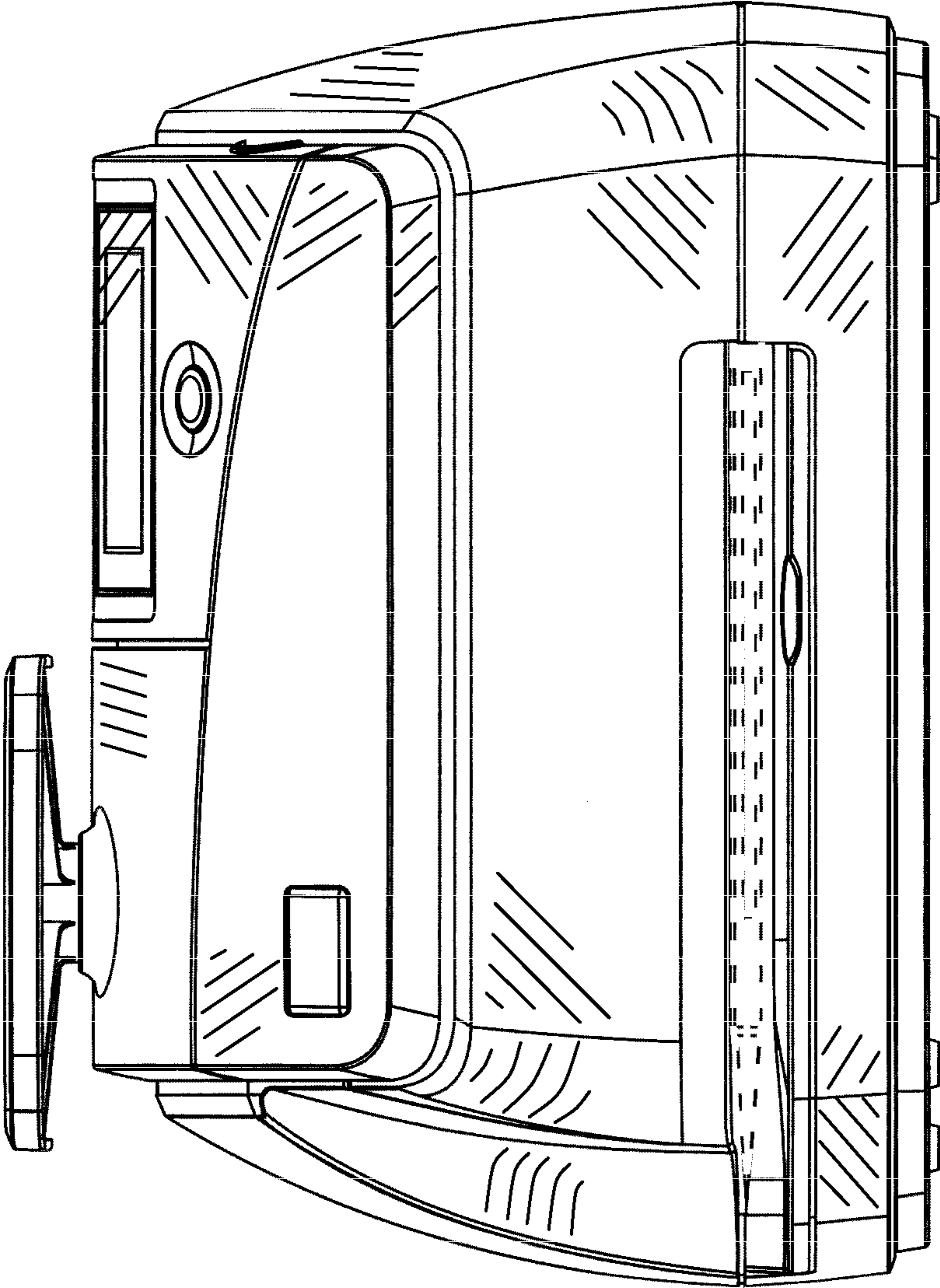


FIG. 5

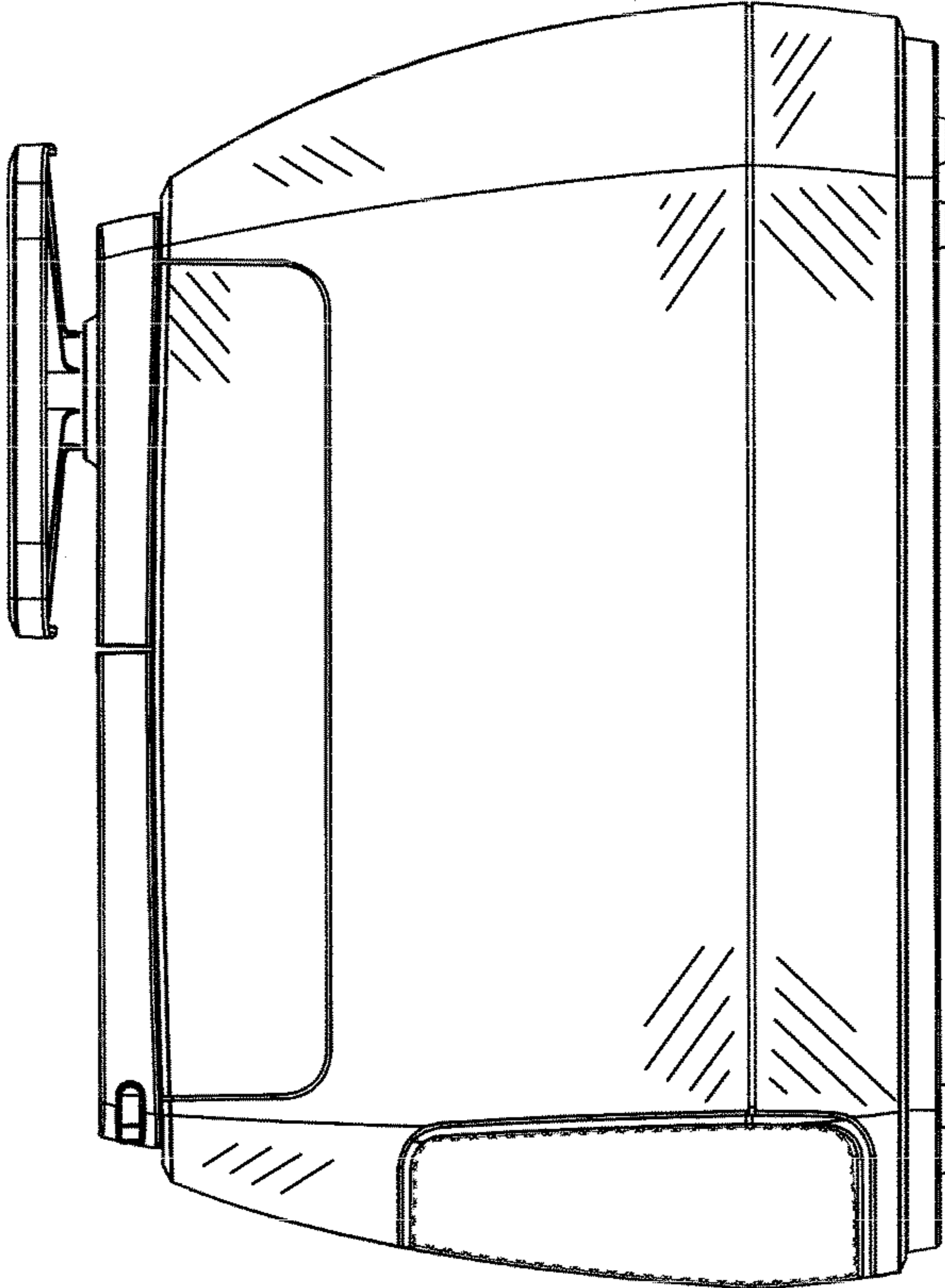


FIG. 6