



US00D788209S

(12) **United States Design Patent**  
**Greene et al.**

(10) **Patent No.:** **US D788,209 S**  
(45) **Date of Patent:** **\*\* May 30, 2017**

- (54) **ADJUSTABLE OPTICAL ASSEMBLY**
- (71) Applicant: **Ocutech, Inc.**, Chapel Hill, NC (US)
- (72) Inventors: **Henry A. Greene**, Durham, NC (US);  
**Robert Carlton Lynch**, Fuquay Varina, NC (US)
- (73) Assignee: **Ocutech, Inc.**, Chapel Hill, NC (US)
- (\*\*) Term: **15 Years**
- (21) Appl. No.: **29/544,576**
- (22) Filed: **Nov. 4, 2015**

**Related U.S. Application Data**

- (63) Continuation of application No. 13/412,268, filed on Mar. 5, 2012, now abandoned.
- (51) **LOC (10) Cl.** ..... **16-06**
- (52) **U.S. Cl.**  
USPC ..... **D16/309**; D16/300; D16/330
- (58) **Field of Classification Search**  
USPC ..... D16/101, 300-342, 900; D29/109-110;  
351/41, 44, 51-52, 62, 158, 92, 103-123,  
351/140-153, 63, 59, 45-48; 2/426-432,  
2/447-449, 441, 434-437, 440, 442, 13,  
2/15; D21/483, 659-661; D14/372;  
D8/356  
CPC ..... G02C 2200/08; G02C 1/06; G02C 5/14;  
G02C 11/02; G02C 11/04; G01C 5/16;  
A61M 2021/0044; A63B 33/002  
See application file for complete search history.

(56) **References Cited**

**U.S. PATENT DOCUMENTS**

- 4,865,438 A \* 9/1989 Wada ..... G02B 7/002  
351/158
- 5,446,507 A \* 8/1995 Chang ..... G02B 7/002  
351/124

- 5,667,291 A \* 9/1997 Caplan ..... F21V 21/084  
362/105
- 6,064,520 A \* 5/2000 Nowak ..... G02B 7/002  
351/57
- 6,667,832 B2 \* 12/2003 Caplan ..... G02B 7/002  
359/409
- D562,876 S \* 2/2008 Beate ..... D16/309
- D591,327 S \* 4/2009 Krause-Bonte ..... D16/309
- 7,542,204 B2 \* 6/2009 Fante ..... G02B 5/04  
359/411
- D617,825 S \* 6/2010 Chang ..... D16/309
- 7,891,808 B2 \* 2/2011 Mazurenko ..... G02B 7/002  
351/158
- D703,254 S \* 4/2014 Sakata ..... D16/133
- D746,354 S \* 12/2015 Chang ..... D16/309
- 2012/0250145 A1 \* 10/2012 Feinbloom ..... G02B 25/004  
359/361

\* cited by examiner

*Primary Examiner* — Raphael Barkai

(74) *Attorney, Agent, or Firm* — Richard T. Matthews

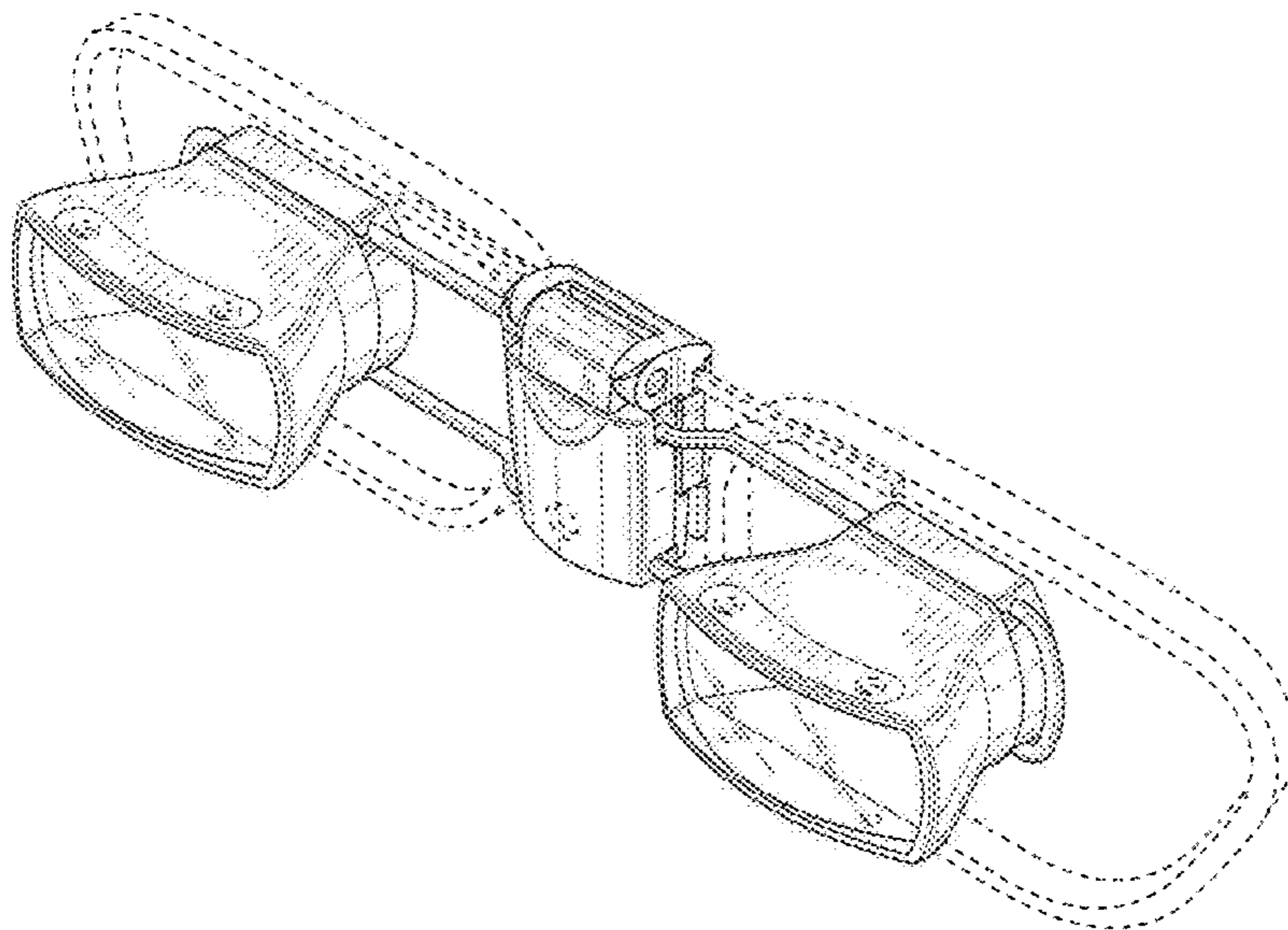
(57) **CLAIM**

The ornamental design for an adjustable optical assembly, as shown and described.

**DESCRIPTION**

FIG. 1 is a front perspective view illustrating an adjustable optical assembly, with an example of a pair of glasses connected thereto illustrated in broken lines;  
 FIG. 2 is a front view thereof;  
 FIG. 3 is a back view thereof;  
 FIG. 4 is a side view thereof;  
 FIG. 5 is an opposing side view thereof;  
 FIG. 6 is a top view thereof; and,  
 FIG. 7 is a bottom view thereof.  
 The broken lines shown in FIGS. 1-7 are for illustrative purposes only and form no part of the claimed design.

**1 Claim, 7 Drawing Sheets**



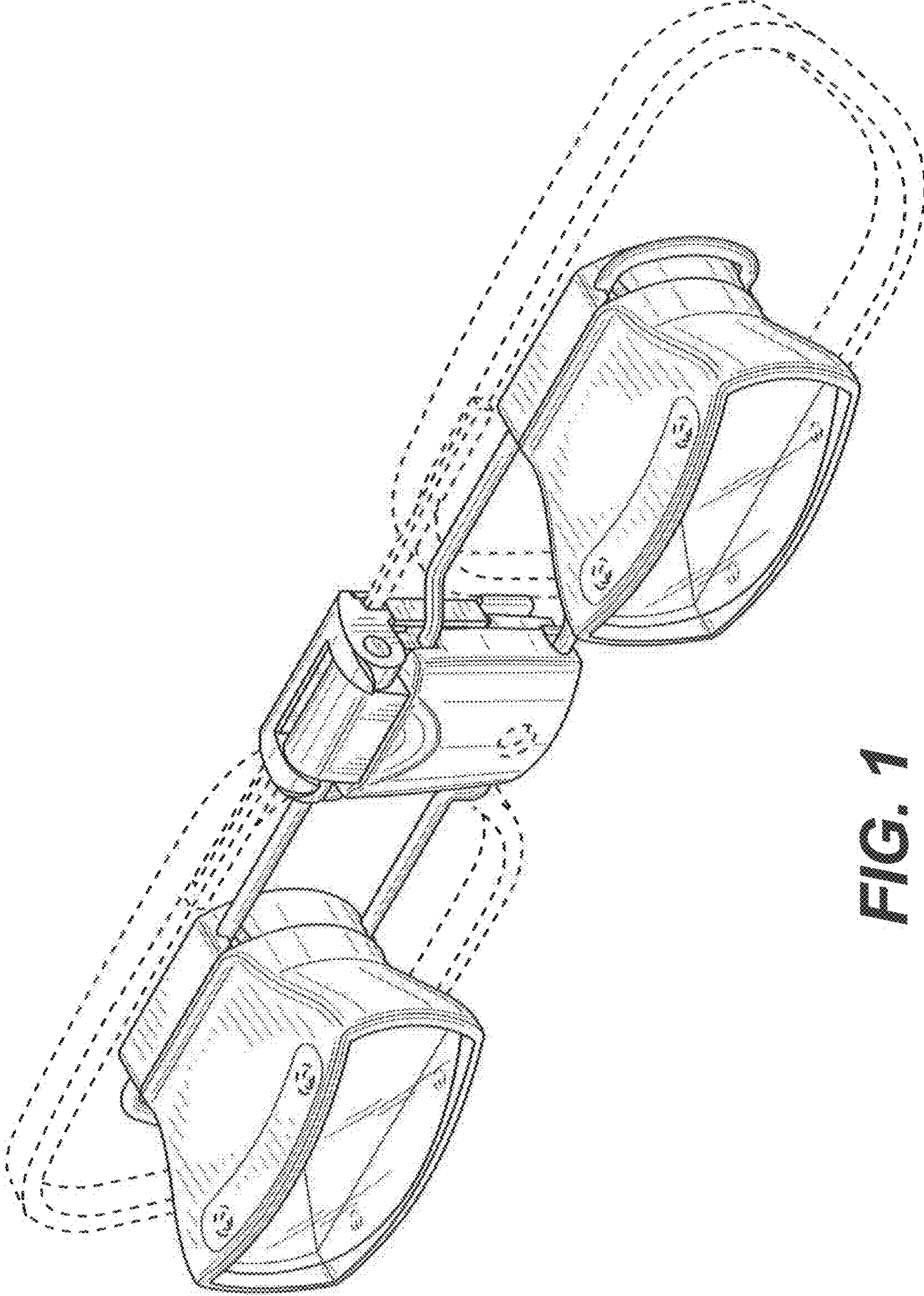


FIG. 1



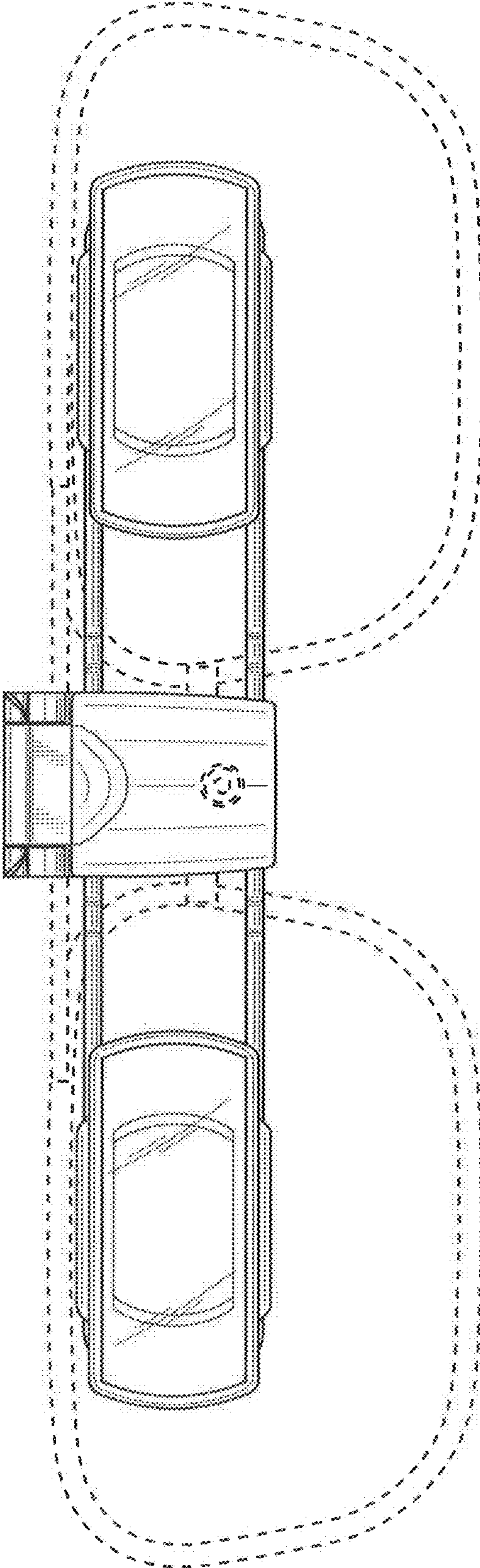


FIG. 2

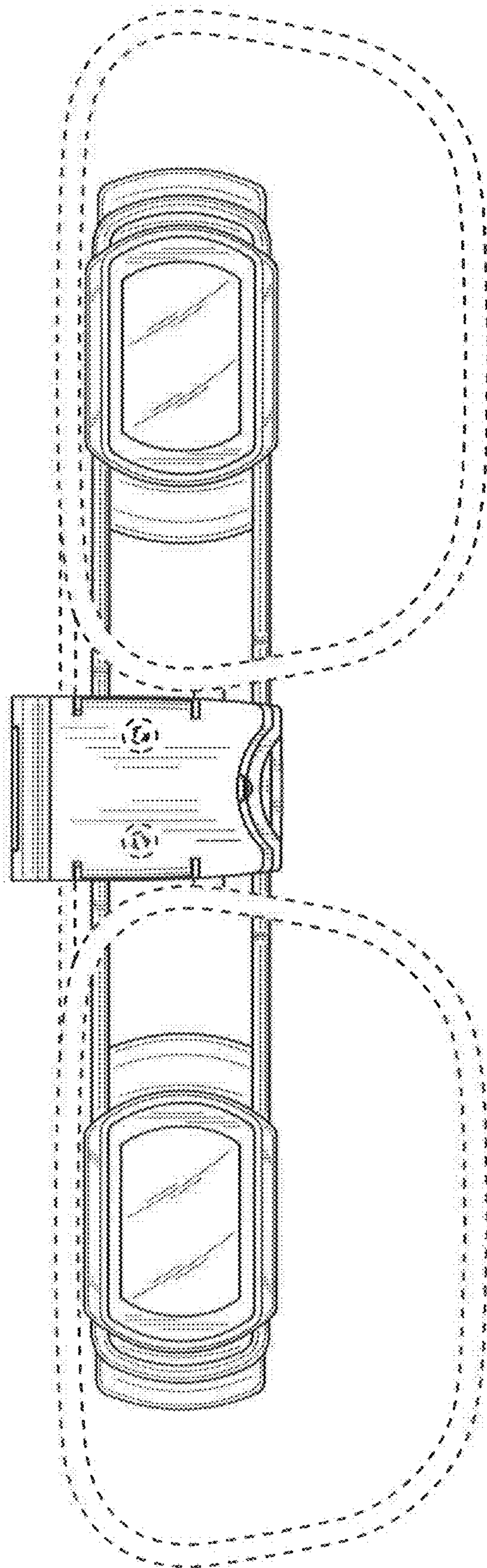
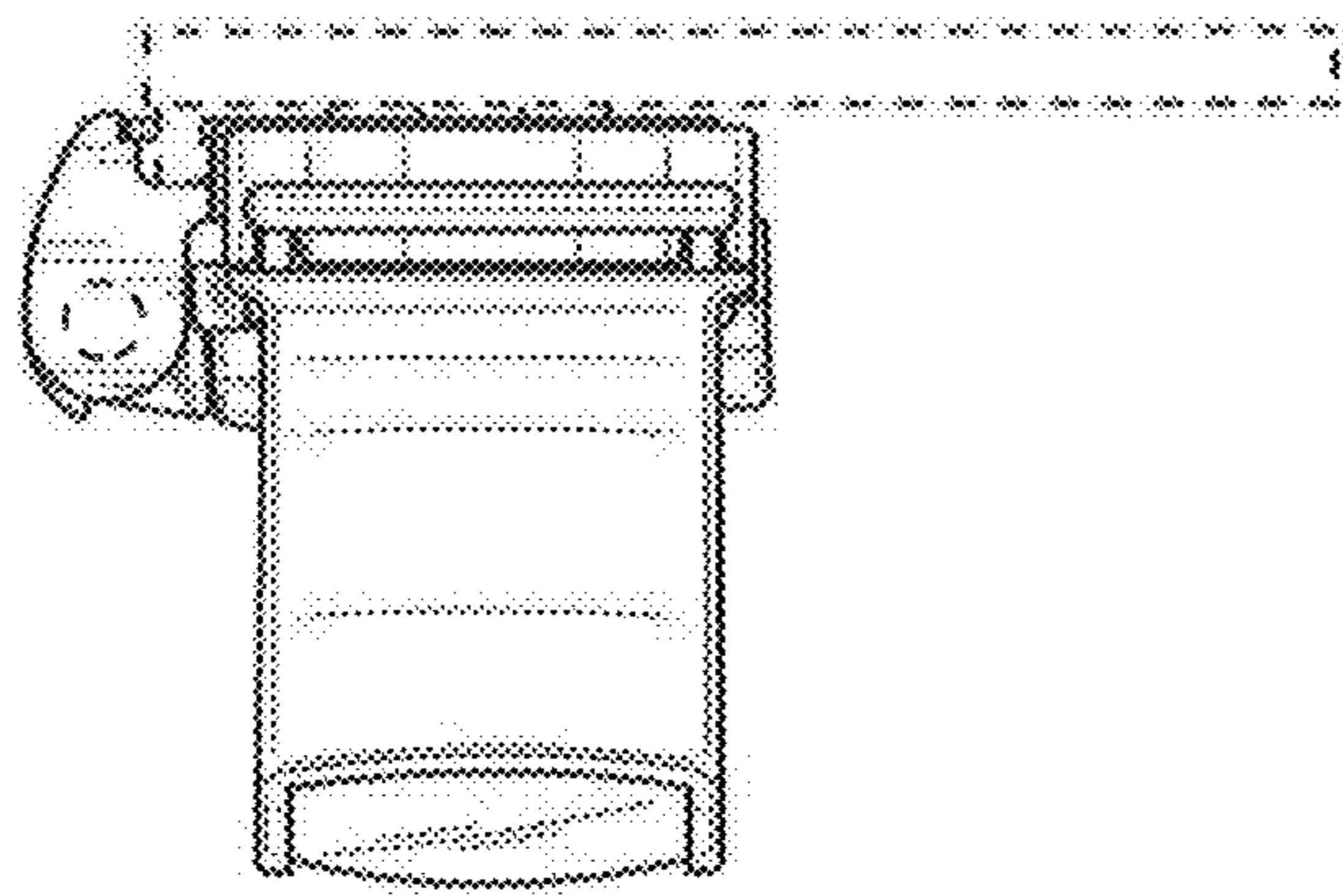
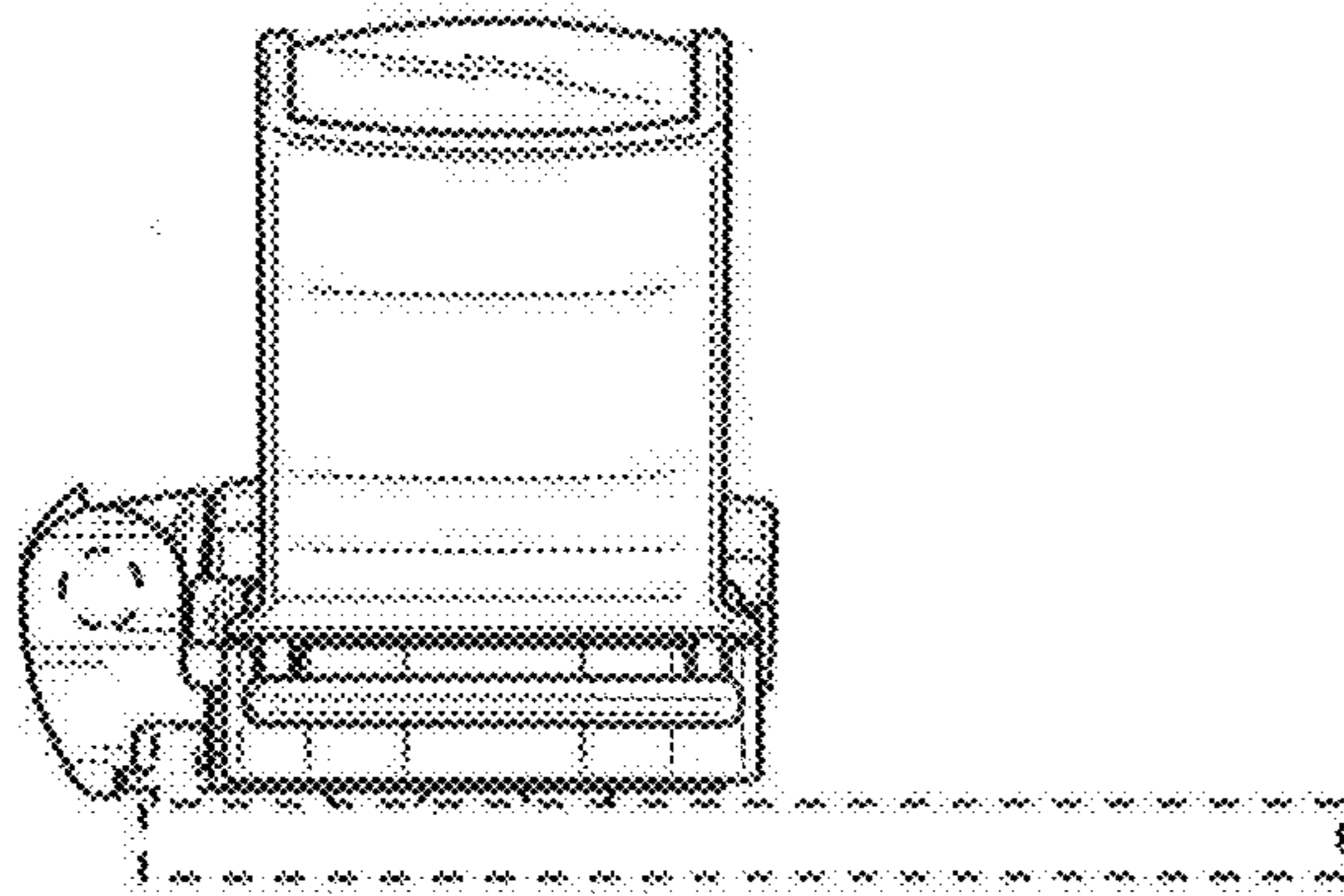


FIG. 3



**FIG. 4**



**FIG. 5**



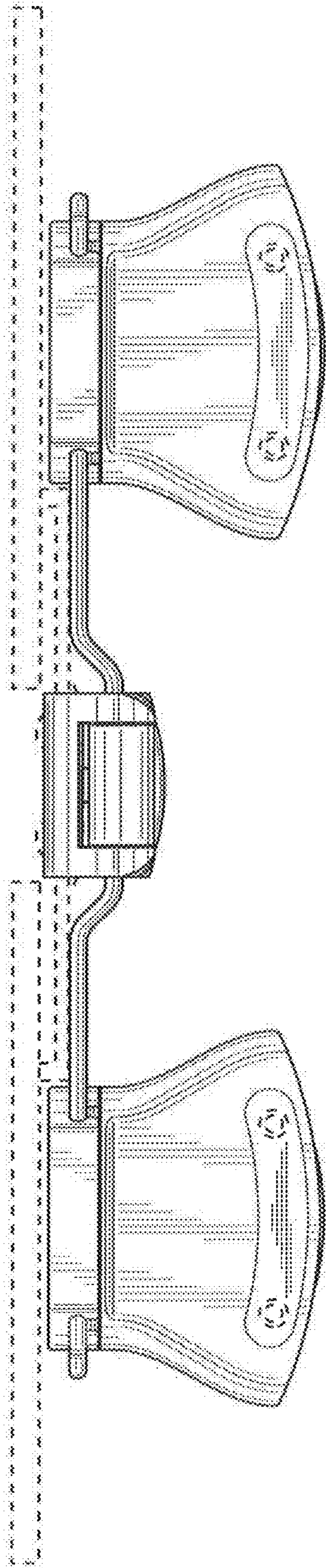


FIG. 6

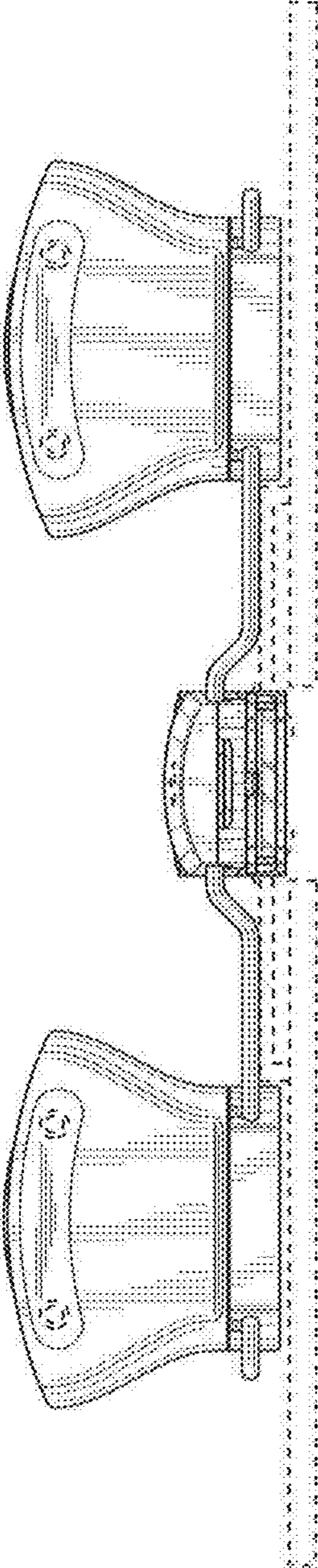


FIG. 7