



US00D788208S

(12) **United States Design Patent**
Muhlenkamp, IV et al.

(10) **Patent No.:** **US D788,208 S**

(45) **Date of Patent:** **** May 30, 2017**

(54) **MULTI-CAMERA RIG**

(71) Applicant: **GoPro, Inc.**, San Mateo, CA (US)

(72) Inventors: **John George Muhlenkamp, IV**,
Brisbane, CA (US); **Huy Phuong**
Nguyen, San Mateo, CA (US); **Richard**
Gioscia, Santa Clara, CA (US); **Quinn**
Jerome Odette Fitzgerald, San
Francisco, CA (US)

(73) Assignee: **GoPro, Inc.**, San Mateo, CA (US)

(**) Term: **15 Years**

(21) Appl. No.: **29/568,755**

(22) Filed: **Jun. 21, 2016**

(51) **LOC (10) Cl.** **16-05**

(52) **U.S. Cl.**

USPC **D16/242**; D16/200

(58) **Field of Classification Search**

USPC D16/200, 202, 203, 208, 207, 218, 219,
D16/237, 241-245; D8/354, 355, 363;
D12/114, 223; 396/419, 420, 428, 535,
396/540-541; 348/373-374

CPC F16M 11/14; F16M 11/041; F16M 11/04;
F16M 11/2078; F16M 11/28; F16M
11/2021; F16M 11/12; F16M 11/10;
F16M 2200/022; F16M 2200/027; F16M
13/00; F16M 13/02; F16M 13/022; G03B
17/561; G03B 17/566; G03B 17/563;
G03B 2215/056; B60R 2011/0059; B60R
2011/008; B60R 11/02

See application file for complete search history.

(56) **References Cited**

U.S. PATENT DOCUMENTS

D515,121 S * 2/2006 Bleau D16/202
D550,741 S * 9/2007 Vernon D16/208
8,014,656 B2 * 9/2011 Woodman B63B 25/002
396/25

D676,891 S 2/2013 Fairburn
D676,892 S 2/2013 Fairburn
8,467,675 B2 * 6/2013 Chen G03B 17/02
348/374
D699,277 S * 2/2014 Samuels D16/200
D724,637 S * 3/2015 Samuels D16/200
D745,076 S 12/2015 Pfeil
D750,146 S * 2/2016 Costa D16/200

(Continued)

Primary Examiner — Philip S Hyder

Assistant Examiner — Ramzi Almatrahi

(74) *Attorney, Agent, or Firm* — Fenwick & West LLP

(57) **CLAIM**

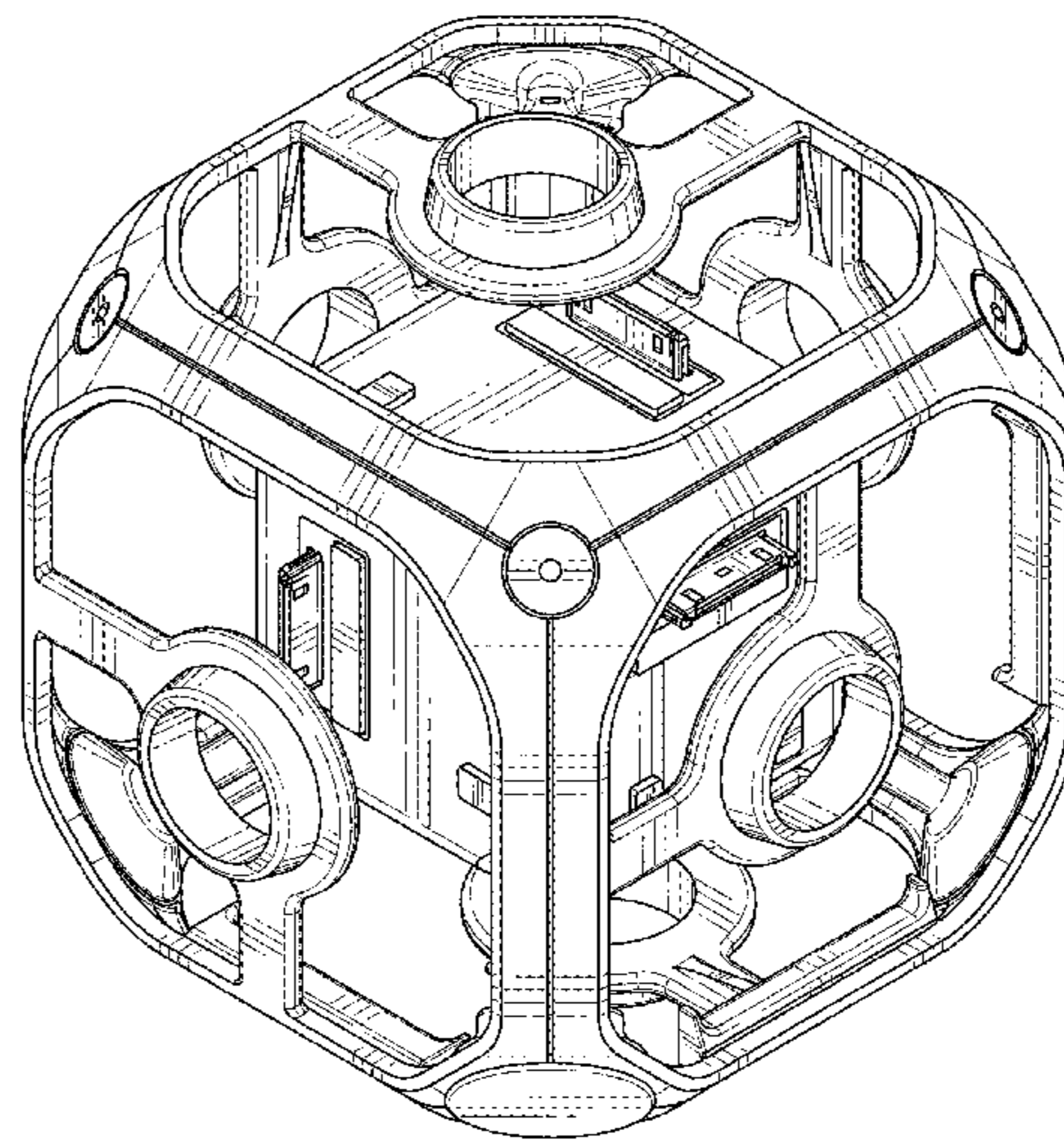
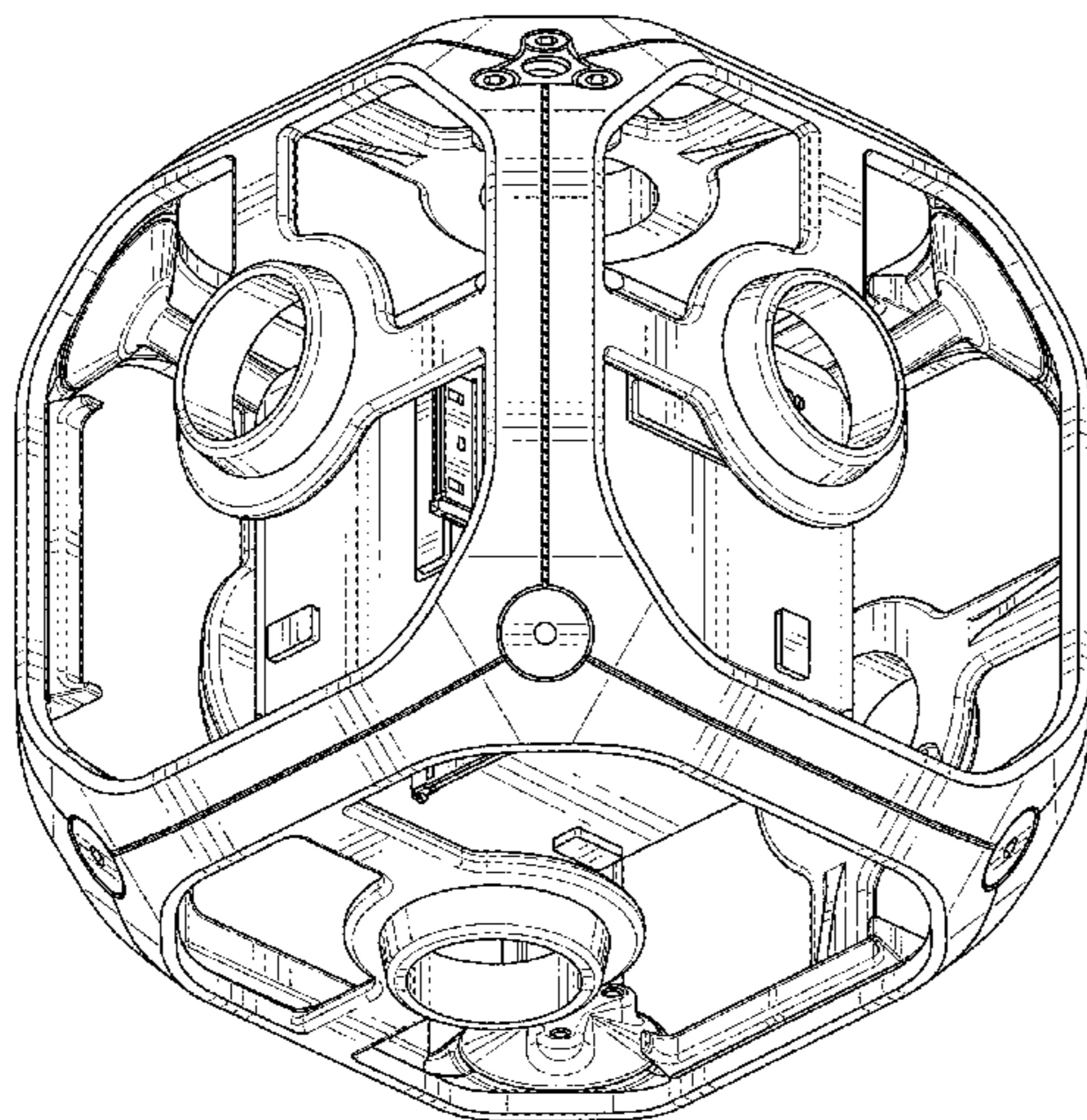
The ornamental design for a multi-camera rig, as shown and described.

DESCRIPTION

is a front, bottom and right side perspective view of a first embodiment of a multi-camera rig;
FIG. 2 is a rear, top, and left perspective view thereof;
FIG. 3 is a rear view thereof;
FIG. 4 is a front view thereof;
FIG. 5 is a right view thereof;
FIG. 6 is a left view thereof;
FIG. 7 is a top view thereof;
FIG. 8 is a bottom view thereof;
FIG. 9 is a front, bottom, and right perspective view of a second embodiment of a multi-camera rig;
FIG. 10 is a rear, top, and left perspective view thereof;
FIG. 11 is a rear view thereof;
FIG. 12 is a front view thereof;
FIG. 13 is a right view thereof;
FIG. 14 is a left view thereof;
FIG. 15 is a top view thereof; and,
FIG. 16 is a bottom view thereof.

The broken lines depict portions of the multi-camera rig in which the design is embodied that form no part of the claimed design.

1 Claim, 16 Drawing Sheets



(56)

References Cited

U.S. PATENT DOCUMENTS

D752,671	S	*	3/2016	Harrison	D16/200
D752,672	S	*	3/2016	Clearman	D16/200
D759,141	S	*	6/2016	Bacon	D16/200
D768,228	S	*	10/2016	Muhlenkamp, IV	D16/207
D776,738	S	*	1/2017	Clearman	D16/200
2006/0071134	A1		4/2006	Dent et al.		
2014/0153916	A1		6/2014	Kintner		
2015/0316835	A1		11/2015	Scott		

* cited by examiner

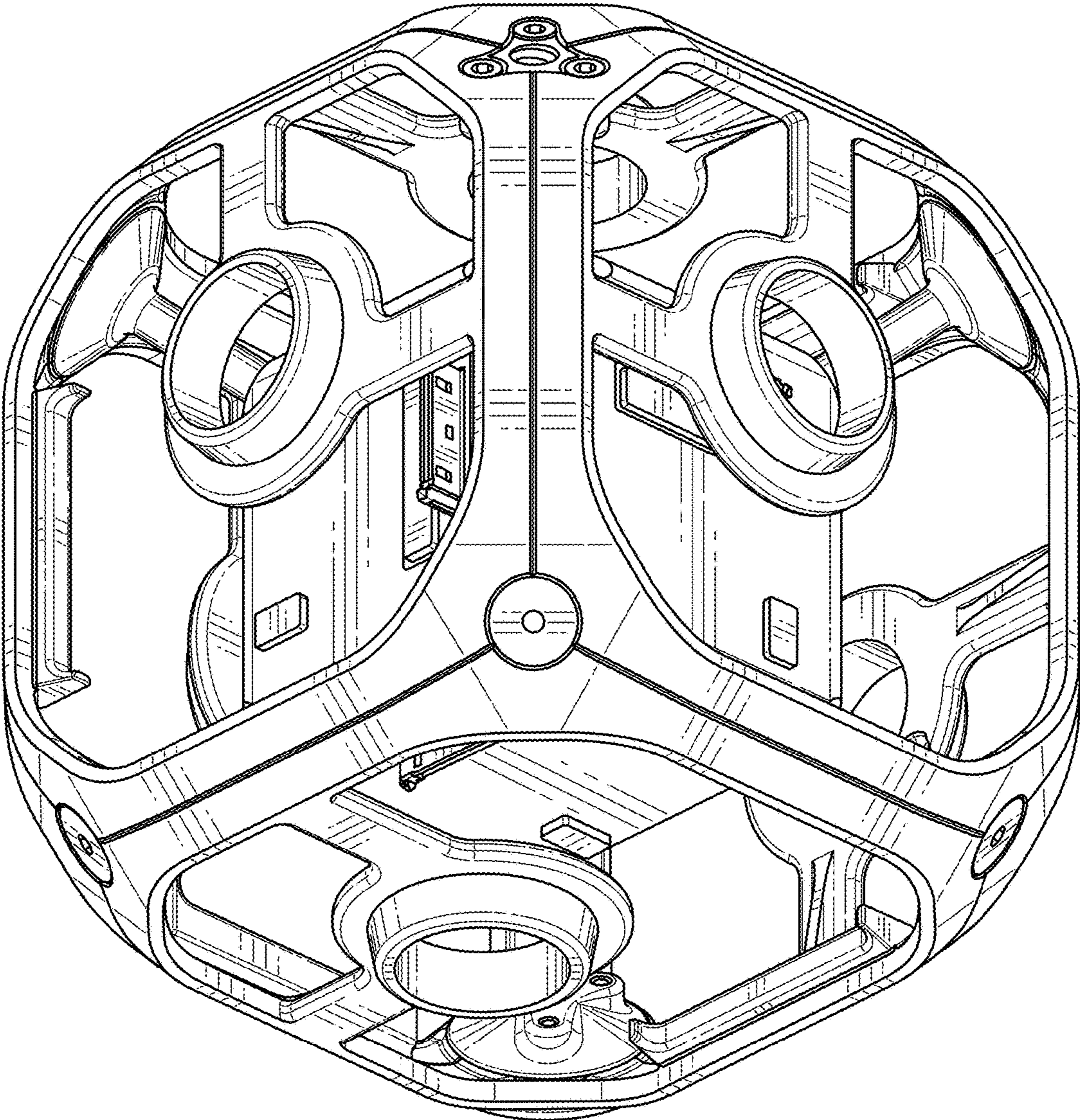


FIG. 1

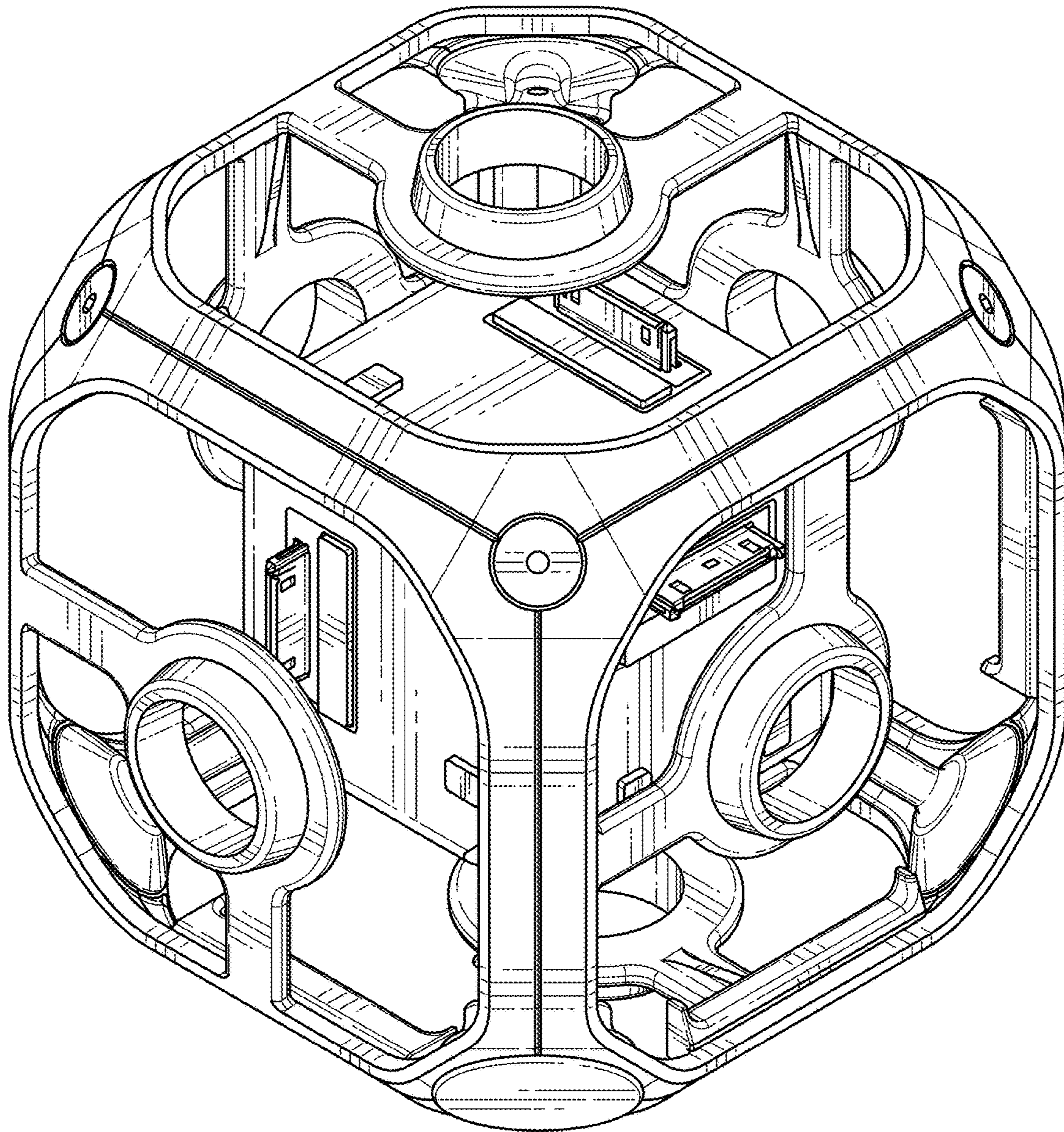


FIG. 2

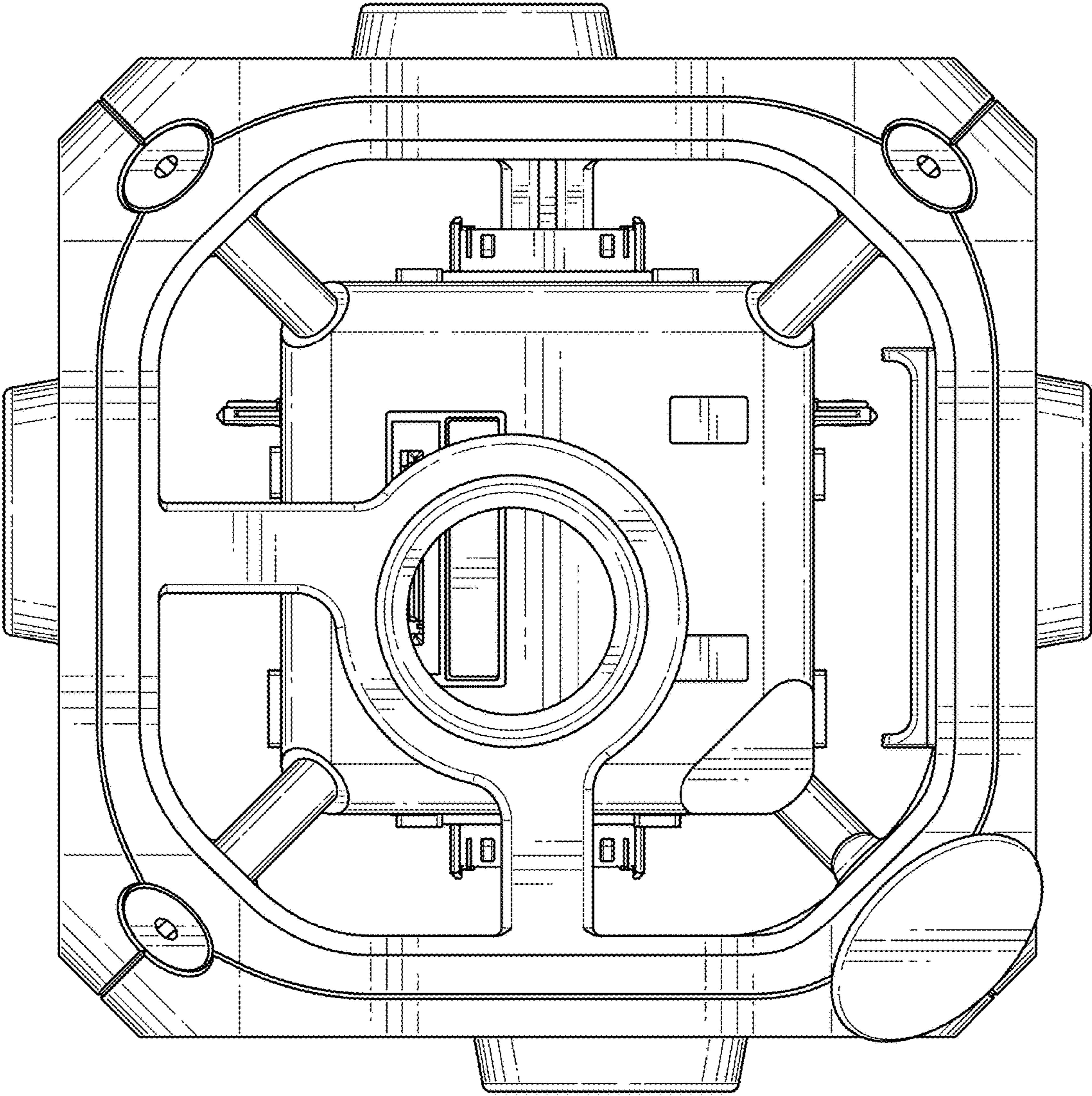


FIG. 3

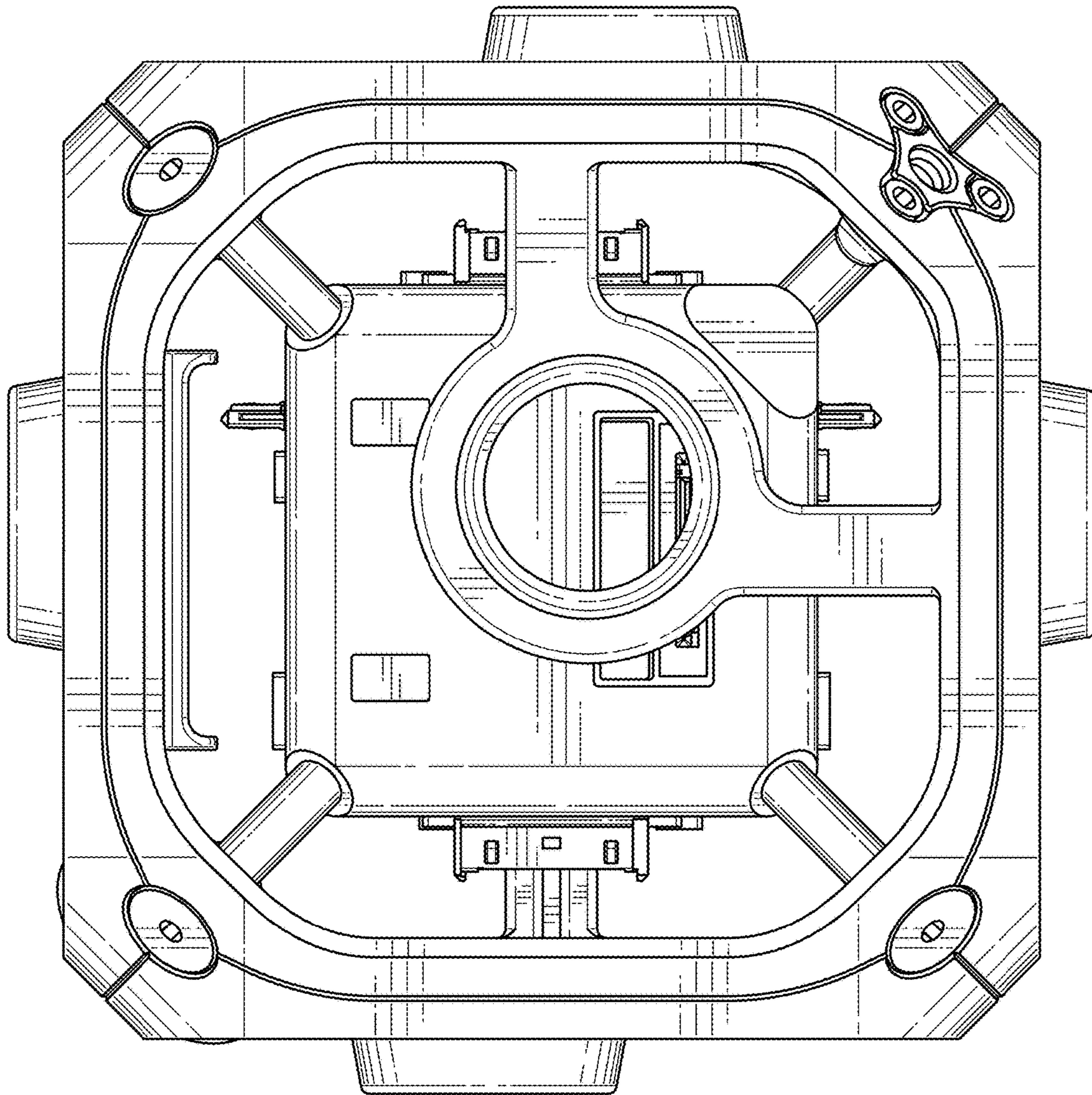


FIG. 4

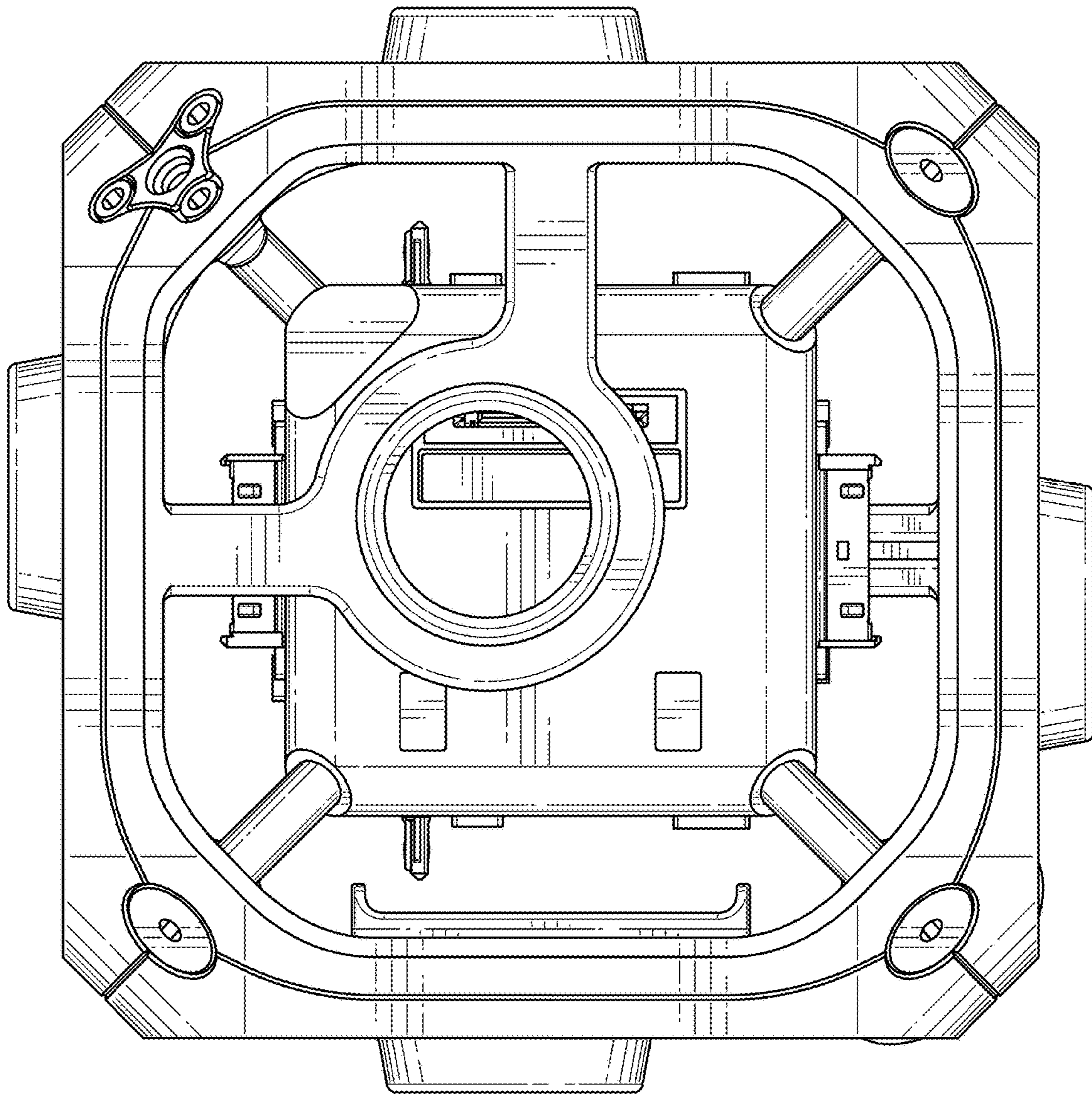


FIG. 5

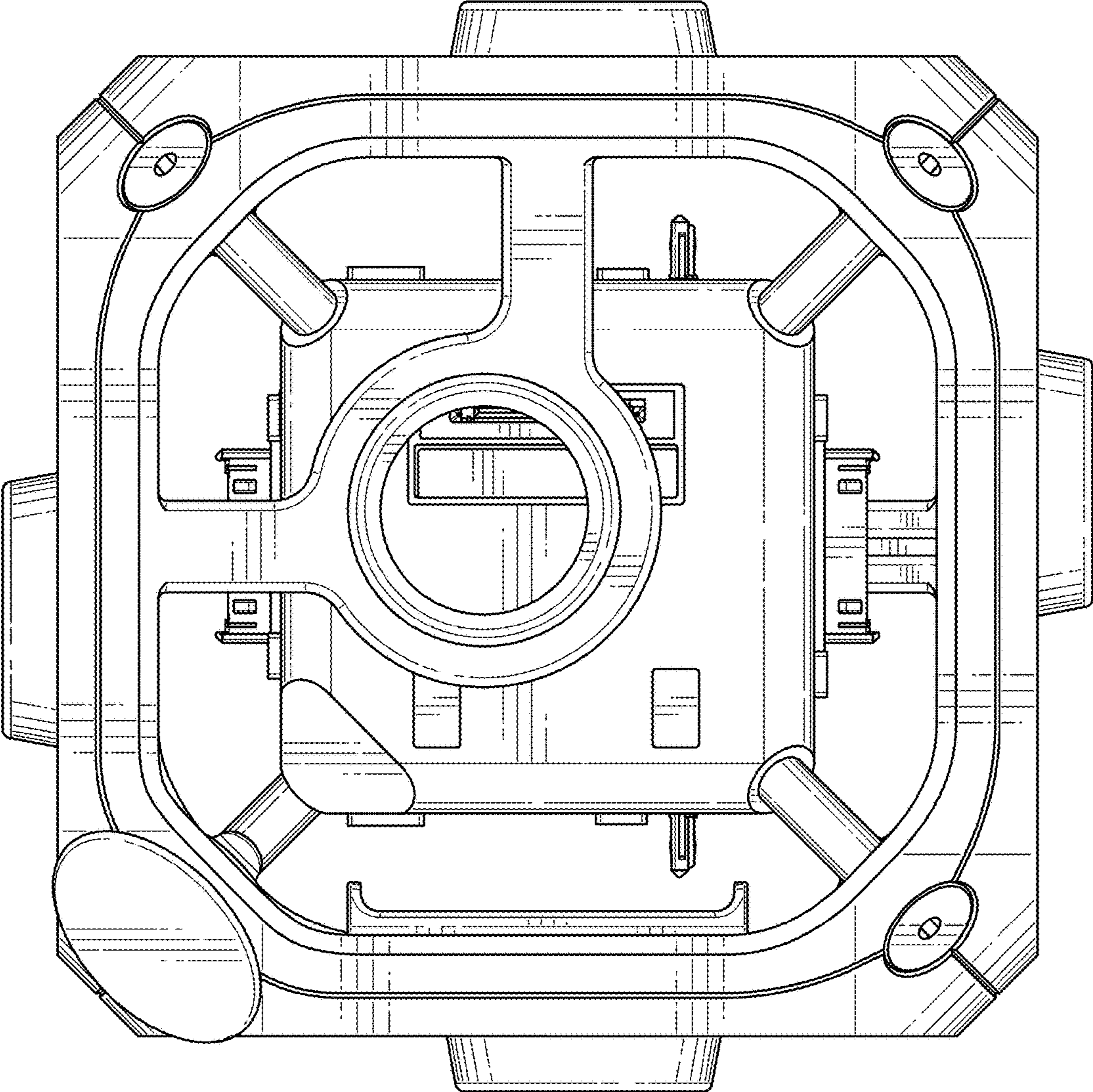


FIG. 6

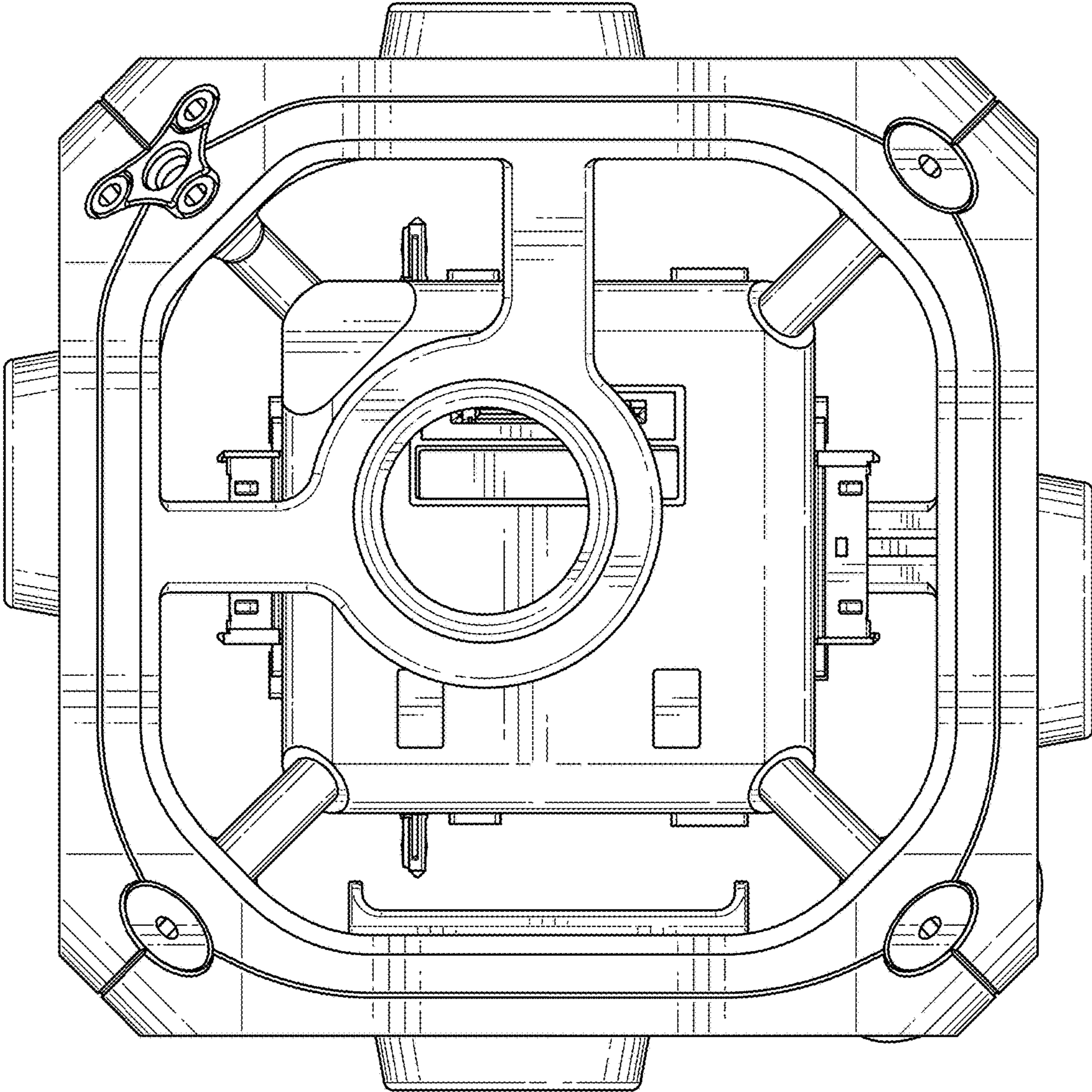


FIG. 7

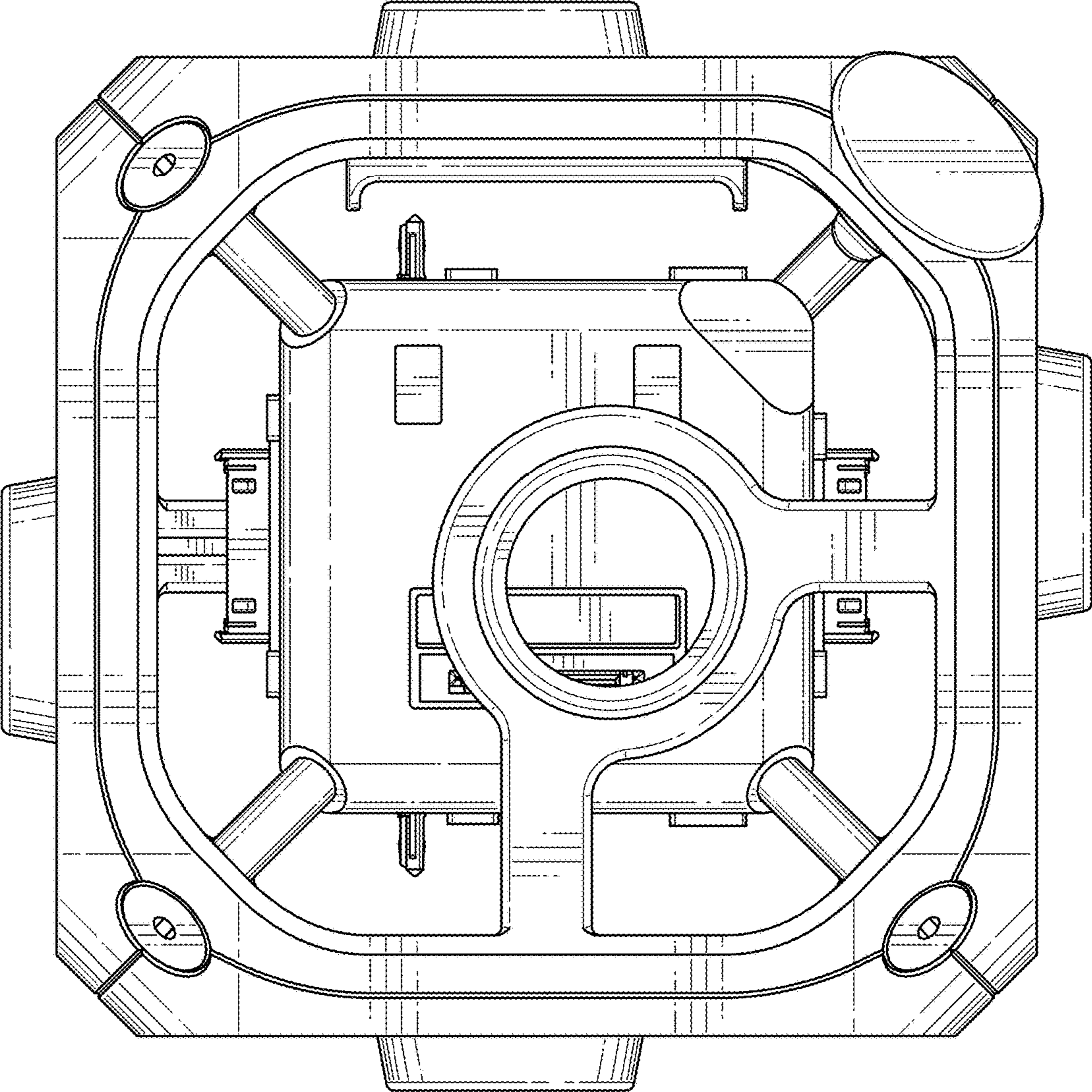


FIG. 8

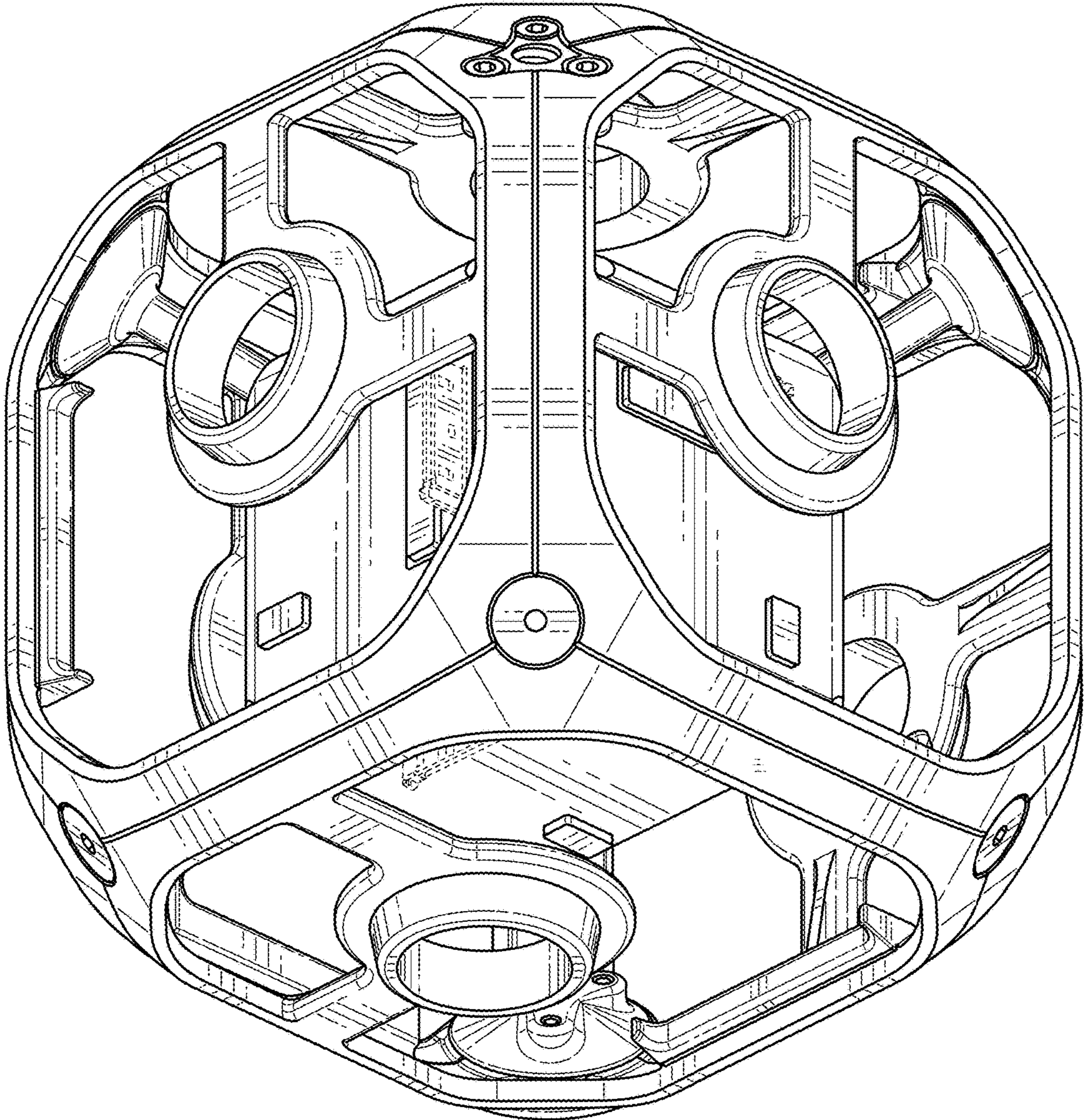


FIG. 9

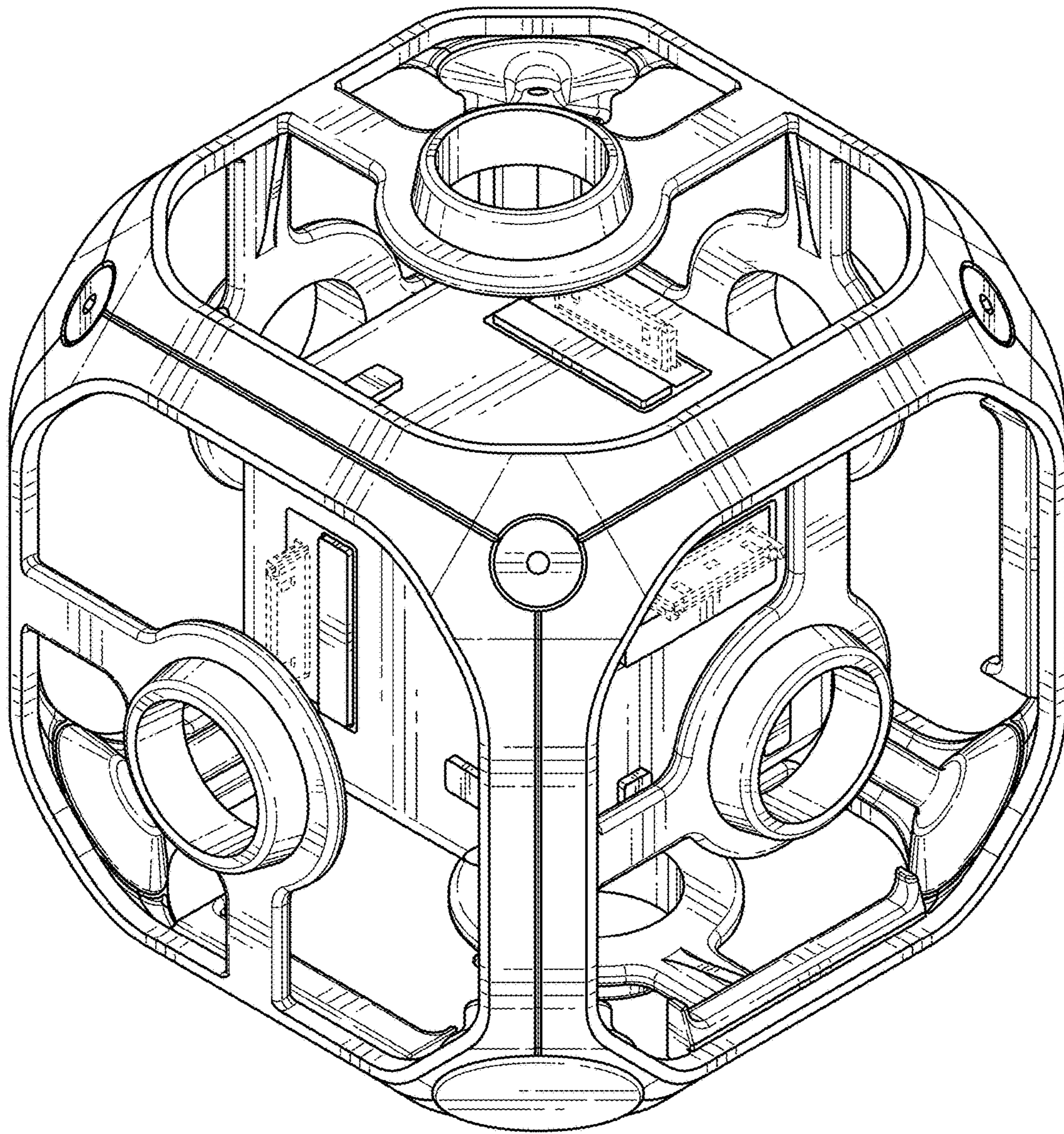


FIG. 10

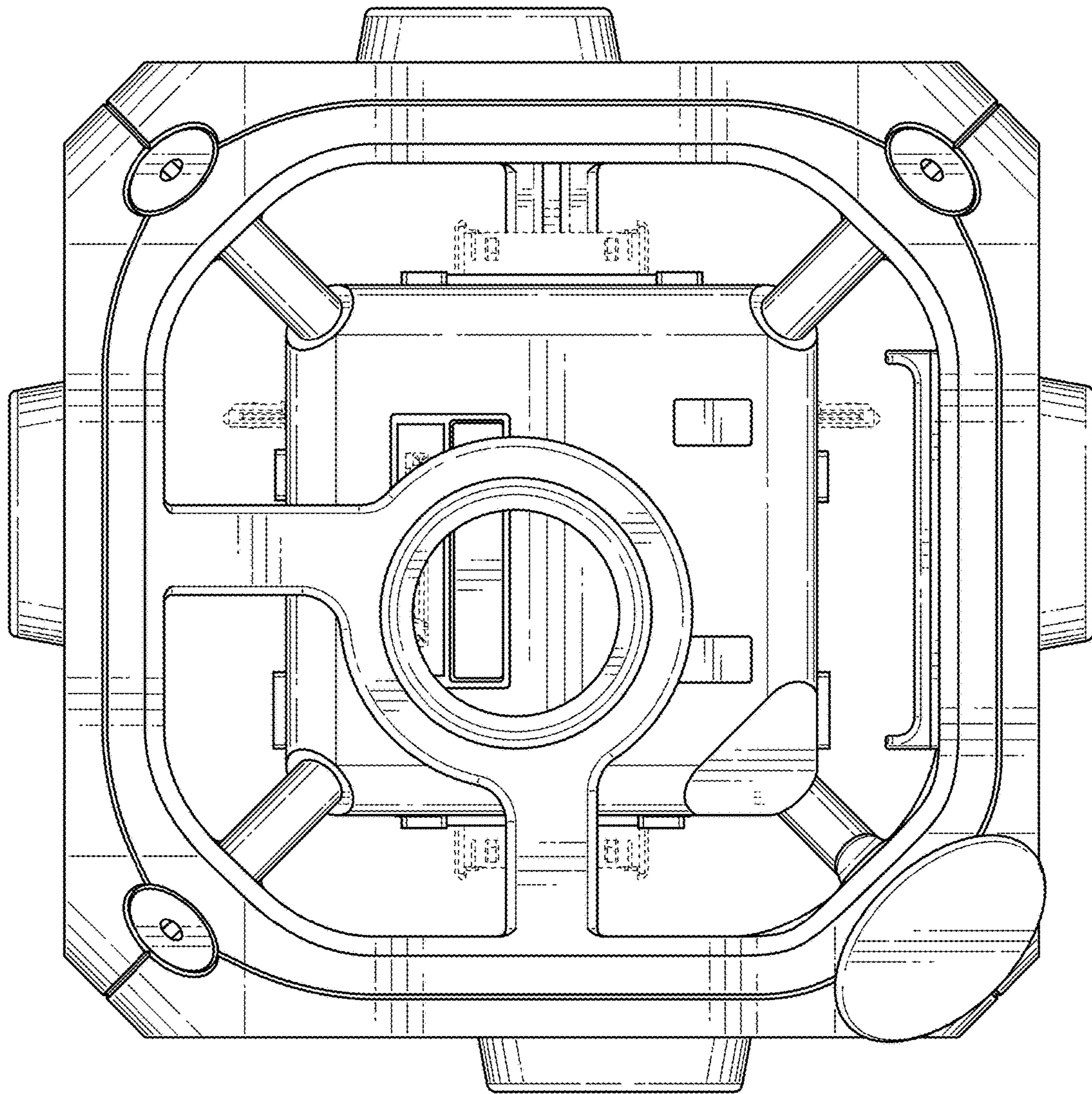


FIG. 11

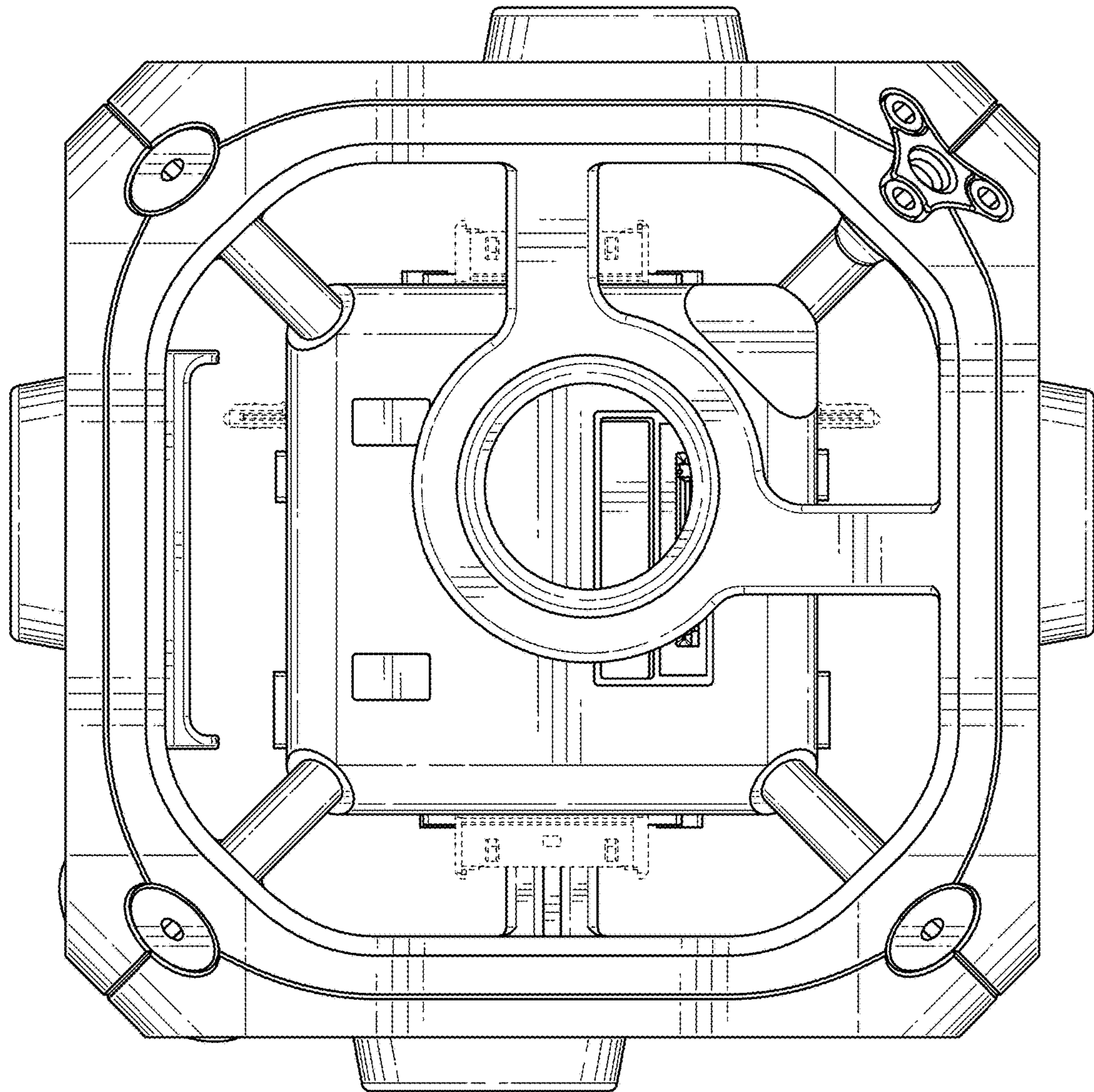


FIG. 12

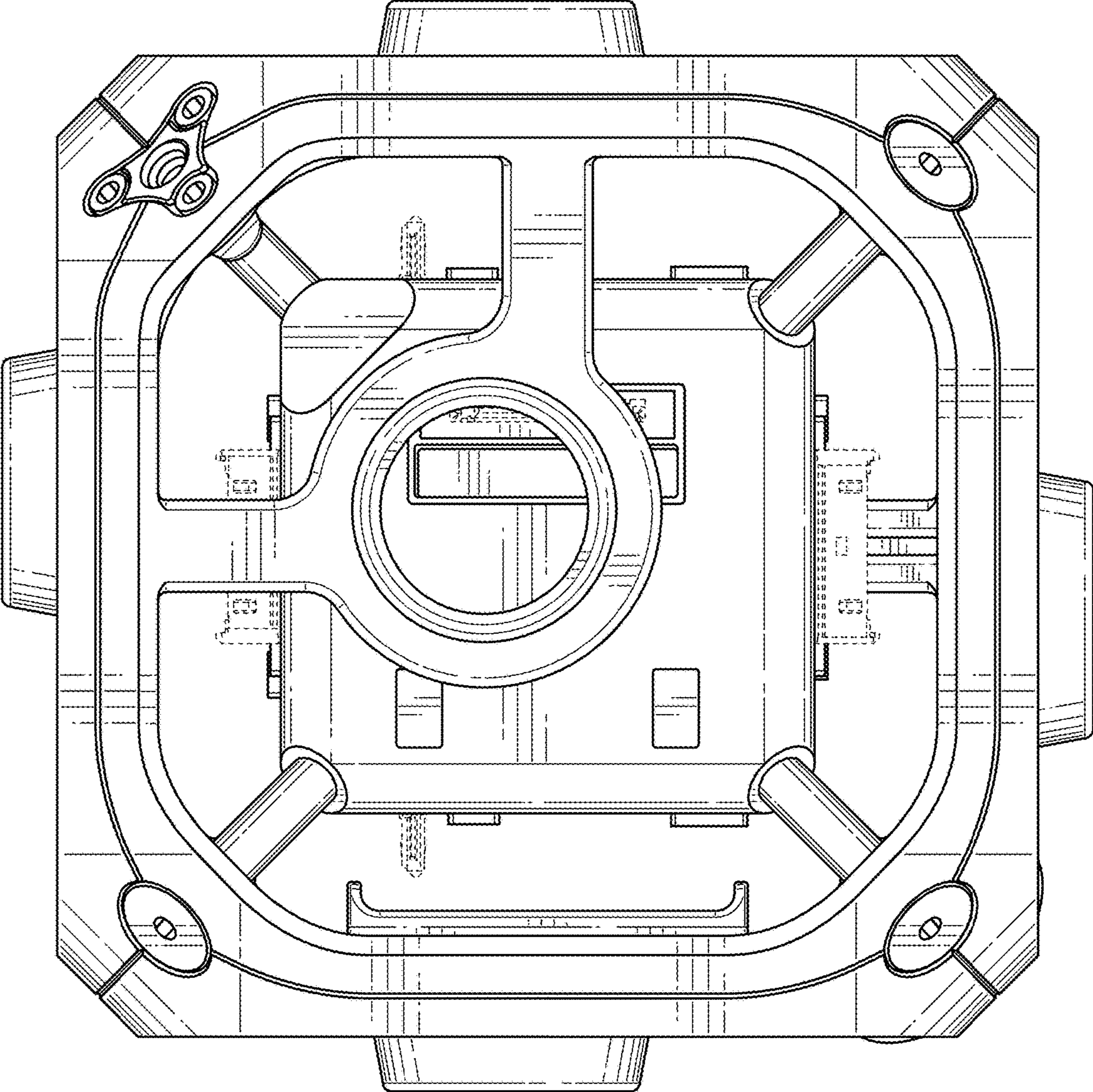


FIG. 13

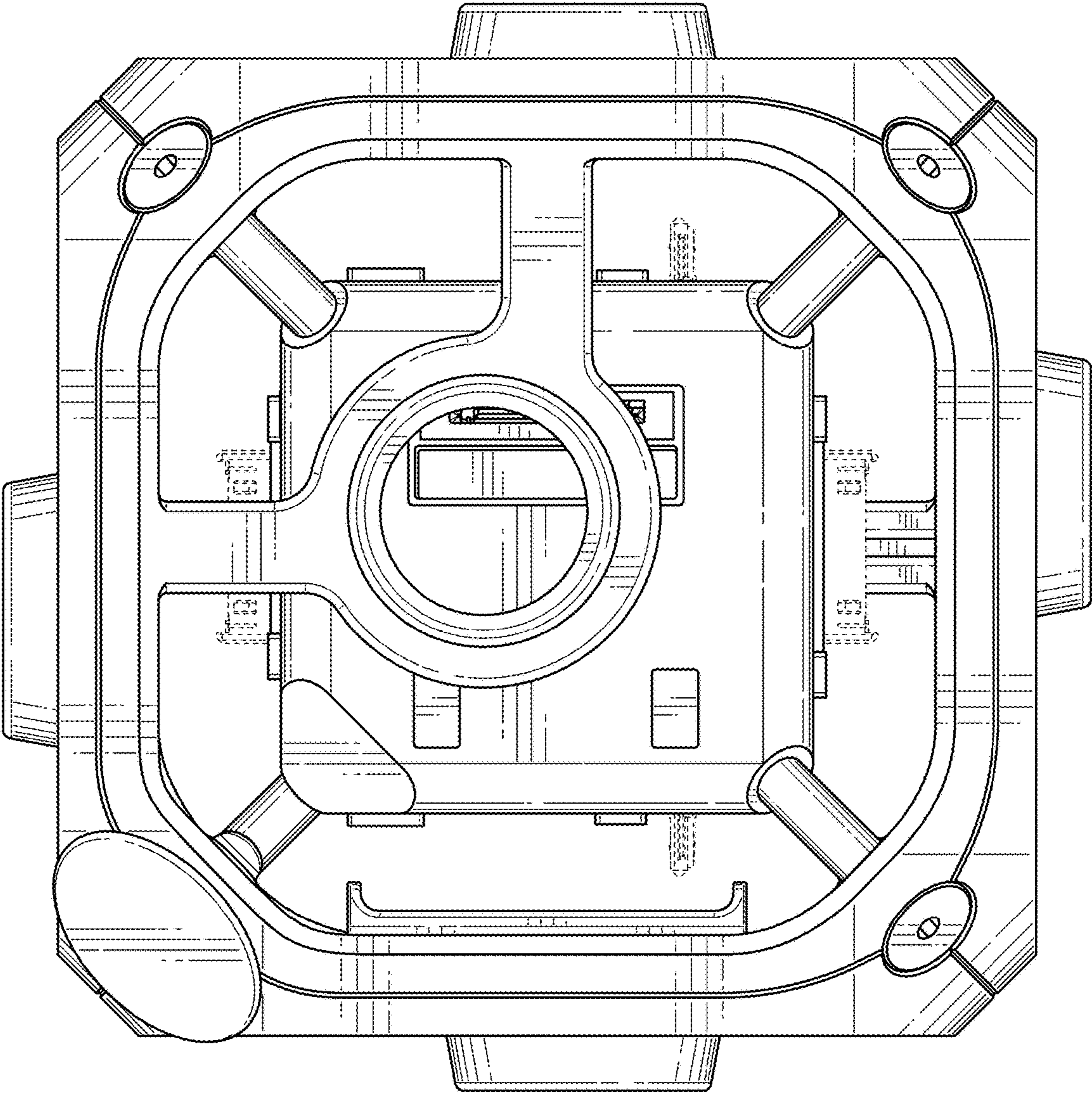


FIG. 14

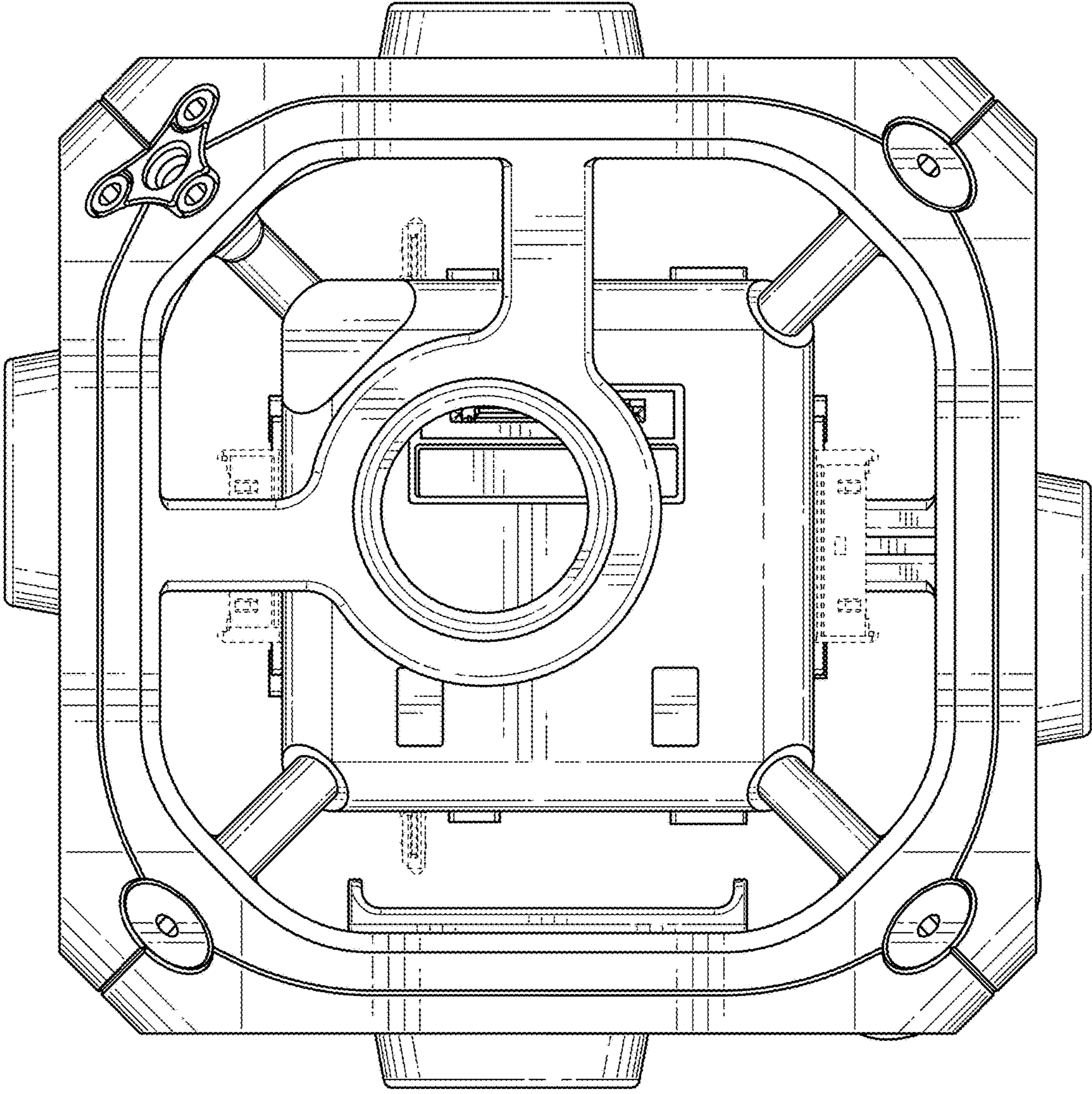


FIG. 15

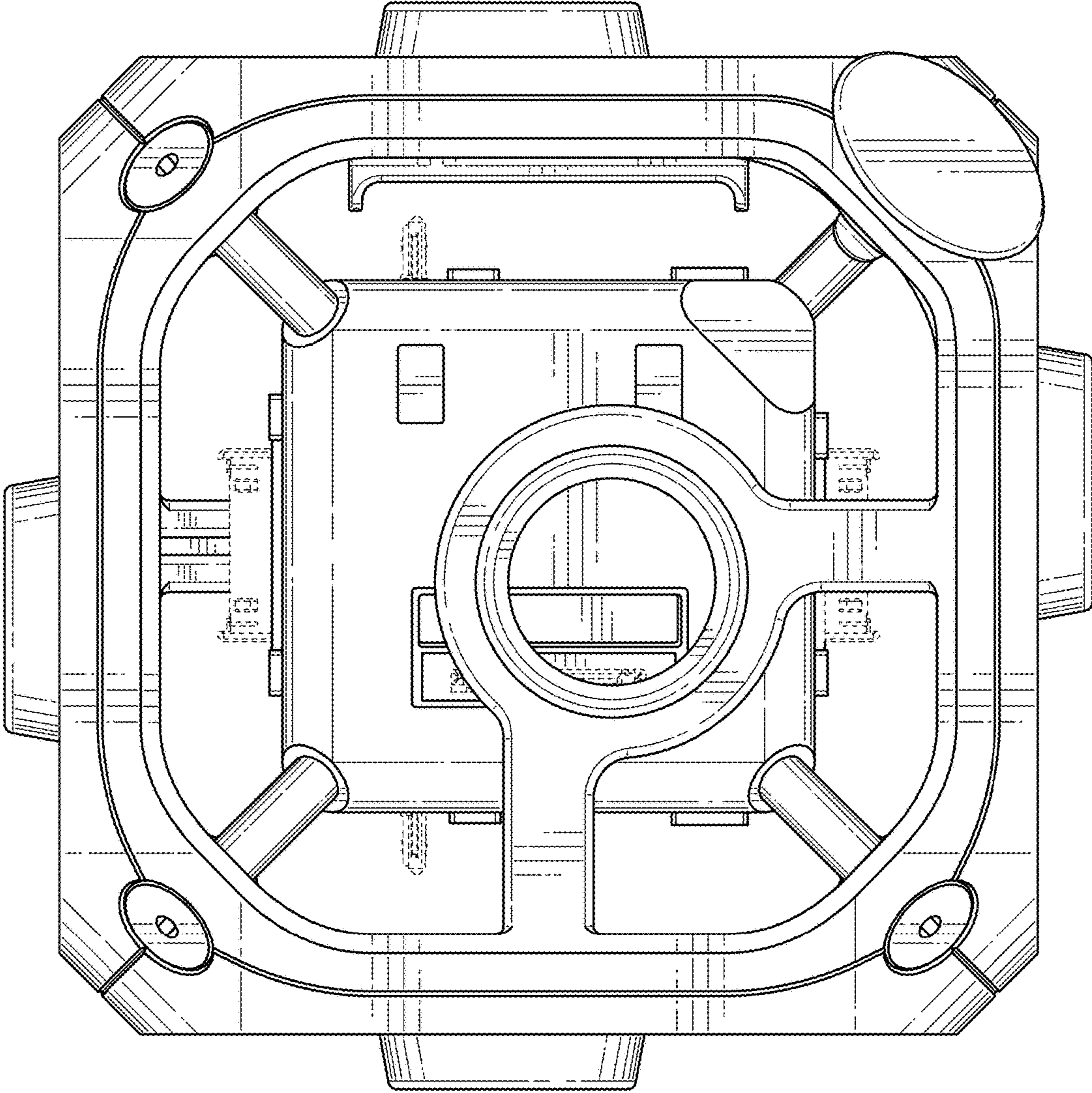


FIG. 16