



US00D788207S

(12) **United States Design Patent**
Glazer et al.

(10) **Patent No.:** **US D788,207 S**
(45) **Date of Patent:** **** May 30, 2017**

(54) **FREESTANDING FLOOR MOUNT FOR A MONITORING CAMERA**

(71) Applicant: **UDISENSE INC.**, New York, NY (US)

(72) Inventors: **Assaf Glazer**, Hoboken, NJ (US); **Tor Ivry**, Rishon Lezion (IL); **Amir Katz**, Bat Hefer (IL); **Amnon Karni**, New York, NY (US); **Mark Prommel**, Brooklyn, NY (US); **Pil Ho Chung**, Palisades Park, NJ (US); **Marco Perry**, Brooklyn, NY (US); **Oscar Frias**, Brooklyn, NY (US)

(73) Assignee: **UDISENSE INC.**, New York, NY (US)

(**) Term: **15 Years**

(21) Appl. No.: **29/563,946**

(22) Filed: **May 10, 2016**

(51) **LOC (10) Cl.** **16-05**

(52) **U.S. Cl.**
USPC **D16/242**; D16/244

(58) **Field of Classification Search**
USPC D16/134, 136, 210–219, 235, 237–245, D16/250; D14/217, 229, 250–253; D26/93, 94, 105; D20/16, 17, 41, 42; D25/126, 127
CPC G03B 17/02; G03B 17/04; G03B 17/14; G03B 17/56; G03B 17/561–17/568; G03B 7/00–7/002; G03B 7/02–7/04; G03B 7/14; G03B 21/20–21/2066; F16M 11/02; F16M 11/04; F16M 11/20; F16M 11/40

See application file for complete search history.

(56) **References Cited**

U.S. PATENT DOCUMENTS

D220,534 S * 4/1971 Selden D25/127
4,047,684 A * 9/1977 Kobayashi G10G 5/00
248/122.1

4,240,603 A * 12/1980 Chiariello F16M 11/14
248/125.9
D268,458 S * 4/1983 Schoenig D16/244
4,561,339 A * 12/1985 Jensen A47B 19/002
248/441.1
D289,835 S * 5/1987 Schoenig D14/229
4,712,756 A * 12/1987 Kester F16M 11/38
248/125.1
5,692,719 A * 12/1997 Shepherd A47B 19/002
248/188.7

(Continued)

OTHER PUBLICATIONS

CowboyStudio Photography Photo Studio Flash Mount Three Umbrellas Kit with Light Stand. [online] Published date unknown. Retrieved on Feb. 24, 2017 from <URL: [http://www.sears.com/cowboystudio-photography-photo-studio-flash-mount-three/p-SPM8700940502?plpSellerId=Ami Ventures Inc&prdNo=2&blockNo=2&blockType=G2#>](http://www.sears.com/cowboystudio-photography-photo-studio-flash-mount-three/p-SPM8700940502?plpSellerId=Ami+Ventures+Inc&prdNo=2&blockNo=2&blockType=G2#>)>.*

Primary Examiner — Vy Koenig

Assistant Examiner — Omeed Agilee

(74) *Attorney, Agent, or Firm* — D. Kligler IP Services Ltd.

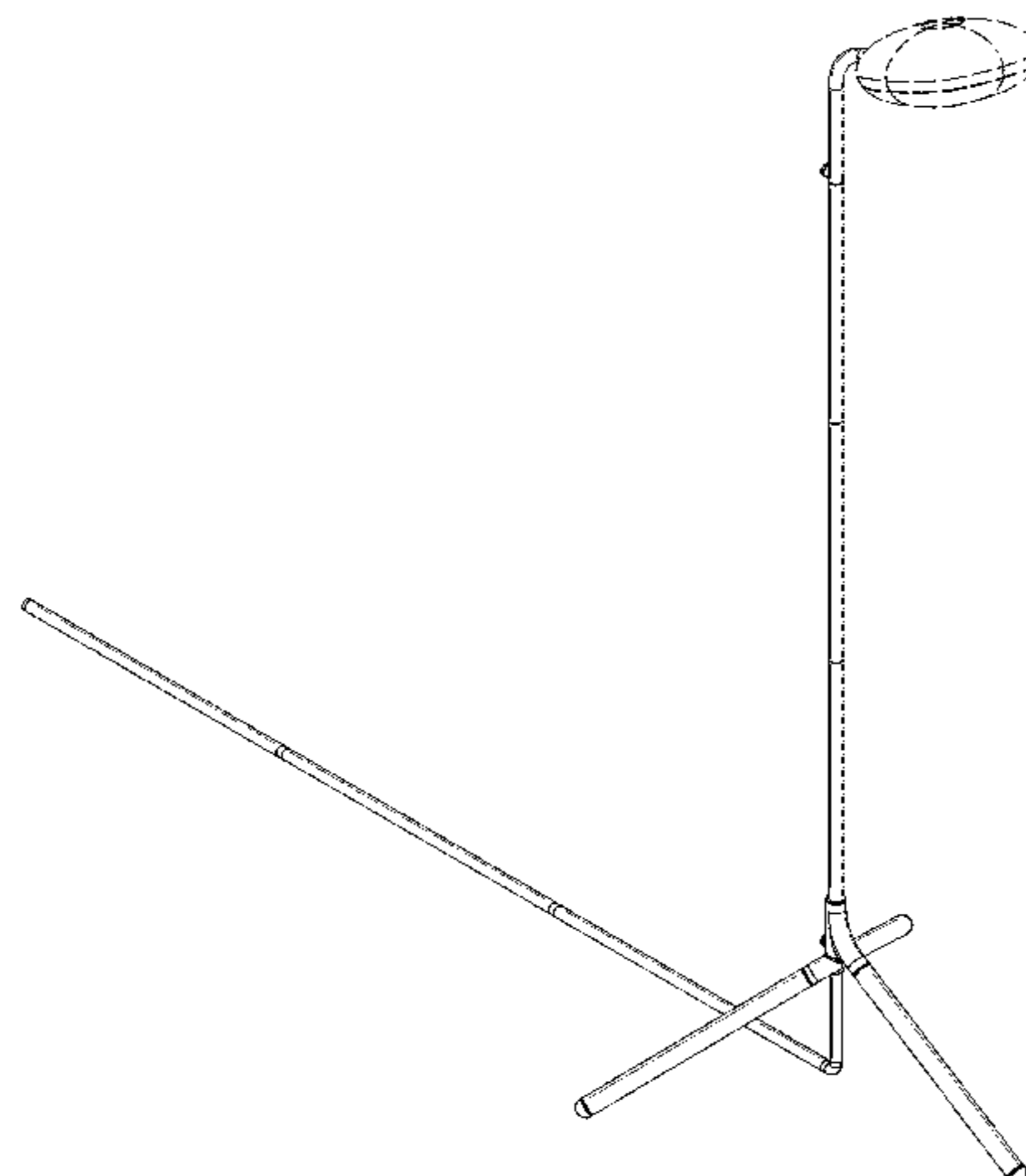
(57) **CLAIM**

The ornamental design for a freestanding floor mount for a monitoring camera, as shown and described.

DESCRIPTION

FIG. 1 is a top, front, left-side perspective view of a freestanding floor mount for a monitoring camera showing our new design;
FIG. 2 is a front elevation view thereof;
FIG. 3 is a rear elevation view thereof;
FIG. 4 is a left side elevation view thereof;
FIG. 5 is a right side elevation view thereof;
FIG. 6 is a top plan view thereof; and,
FIG. 7 is a bottom plan view thereof.

(Continued)



The broken lines in the drawing views are included to illustrate environment only and form no part of the claimed design.

1 Claim, 5 Drawing Sheets

(56) **References Cited**

U.S. PATENT DOCUMENTS

5,996,814 A * 12/1999 Workman B25H 1/0014
211/22
D421,447 S * 3/2000 Eason D16/244
D450,339 S * 11/2001 Eason D16/244
D540,564 S * 4/2007 Tai A47B 19/002
D6/701
D557,035 S * 12/2007 Huang D6/701
D644,450 S * 9/2011 Walter D6/701
D720,384 S * 12/2014 Holmen D16/244
D722,637 S * 2/2015 Baty D16/242
2015/0288877 A1 10/2015 Glazer

* cited by examiner

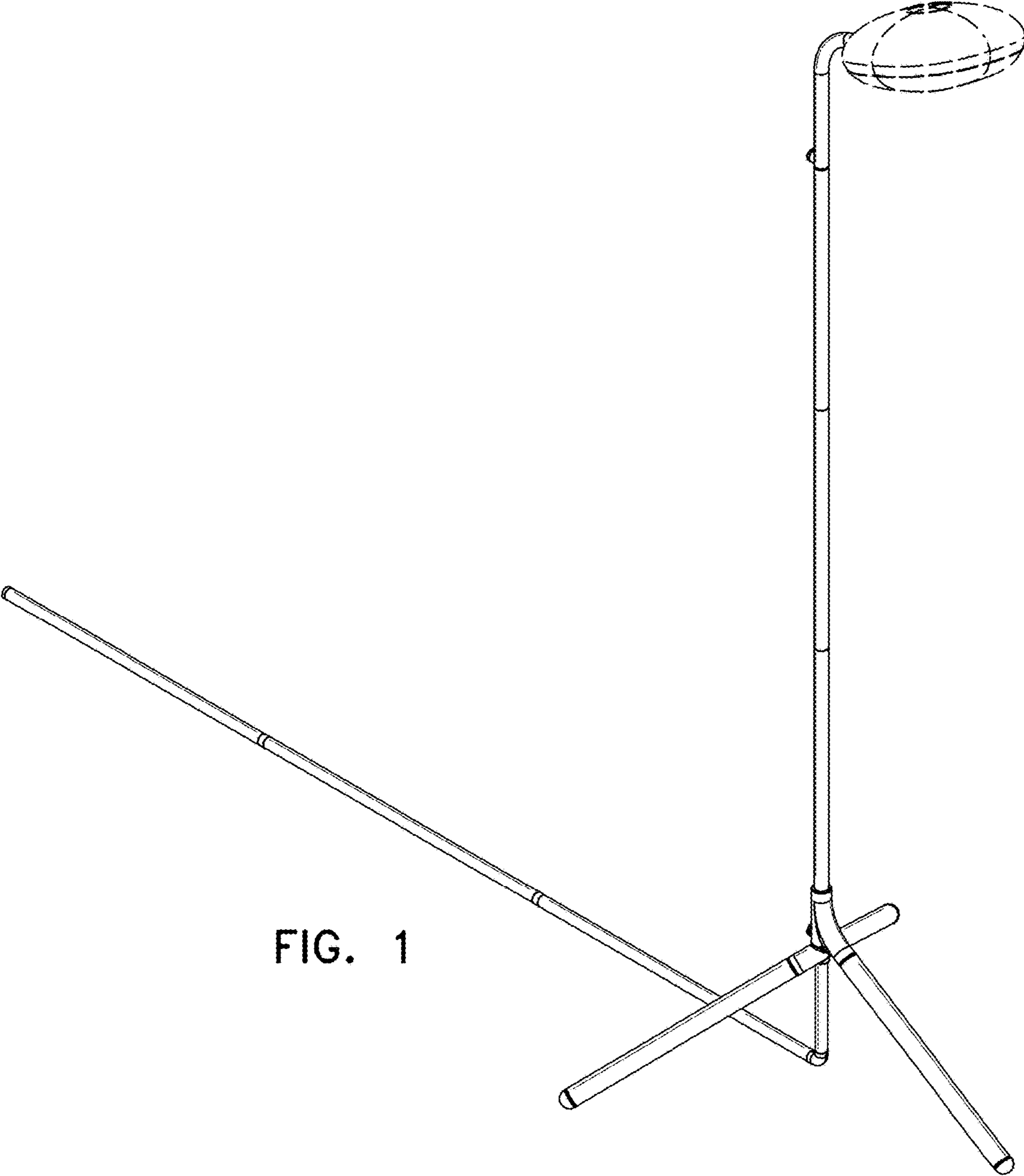


FIG. 1

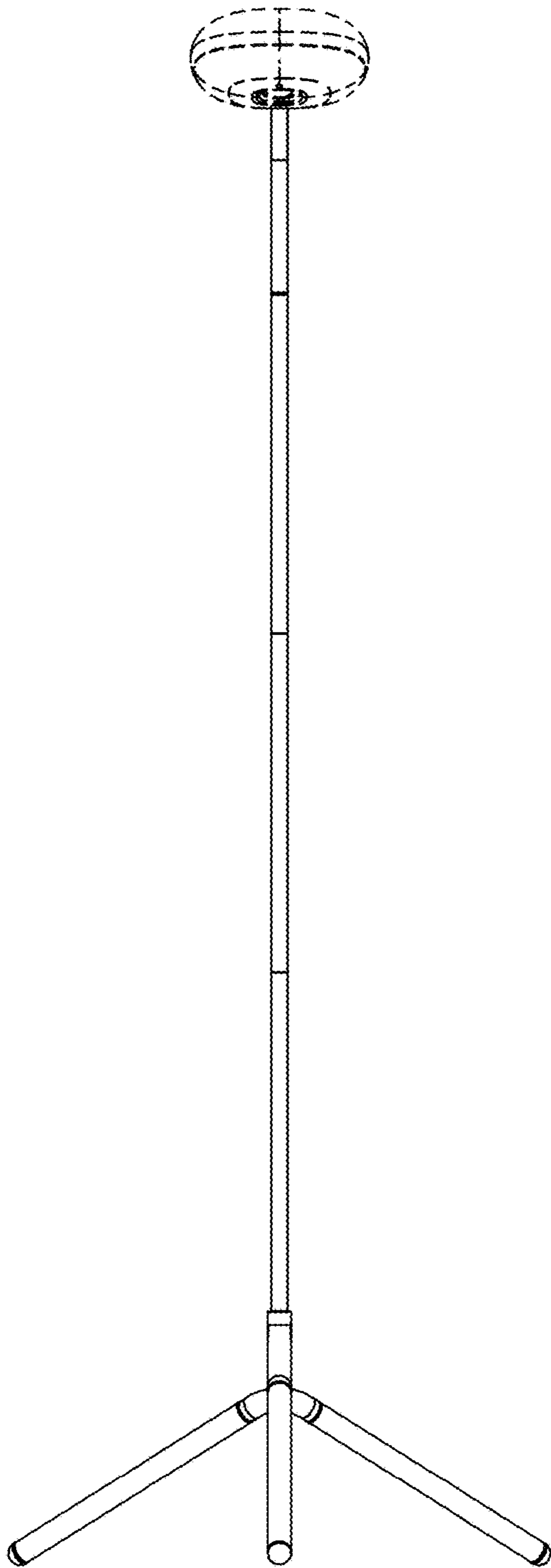


FIG. 2

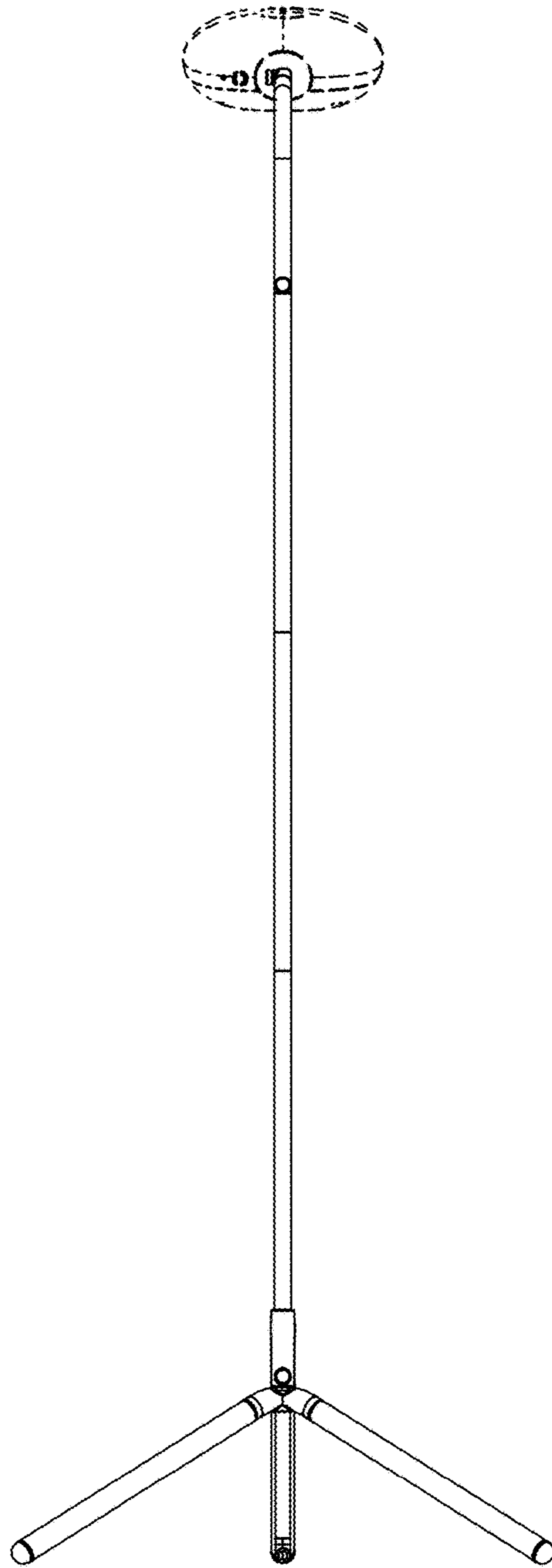


FIG. 3

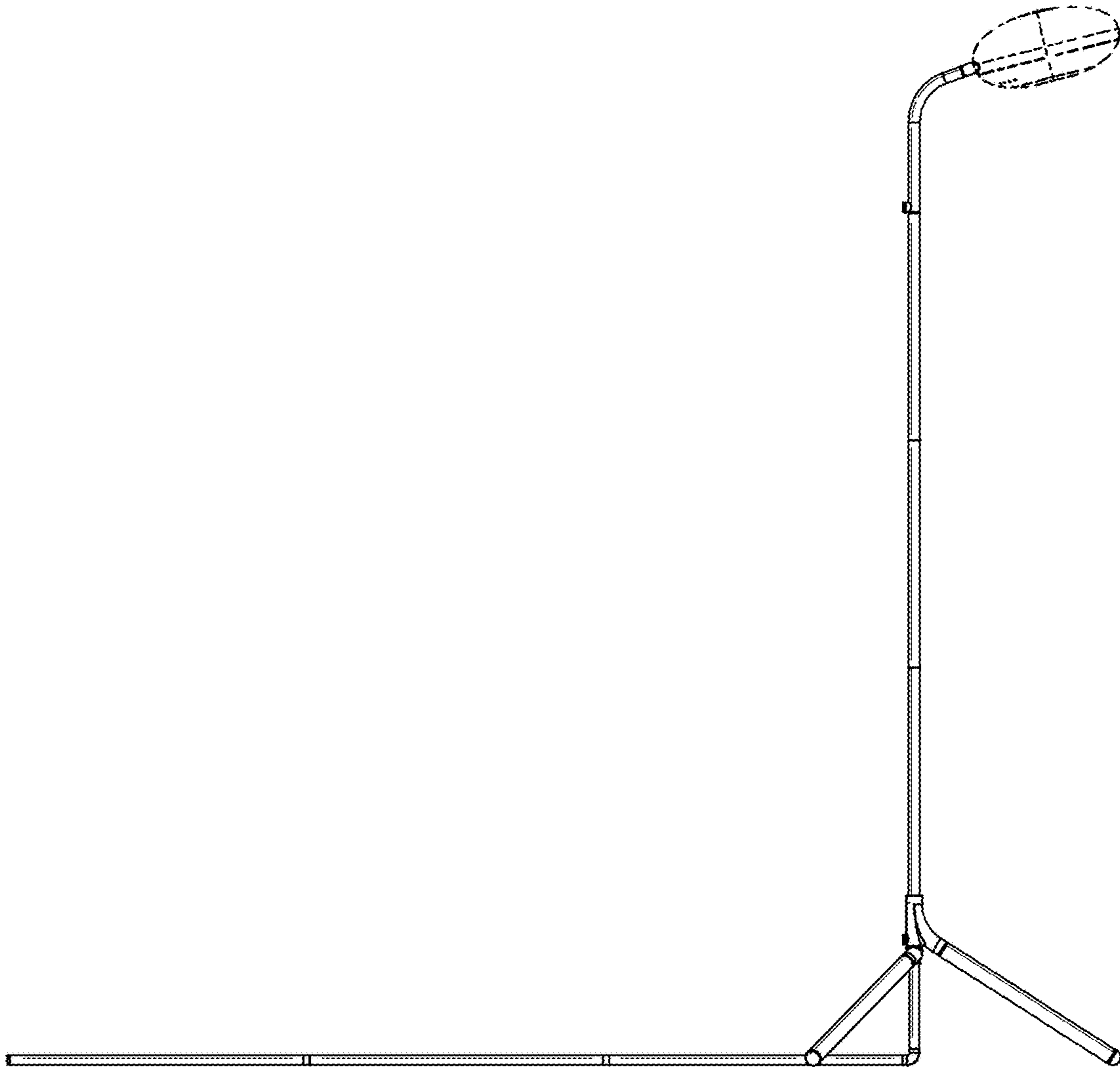


FIG. 4

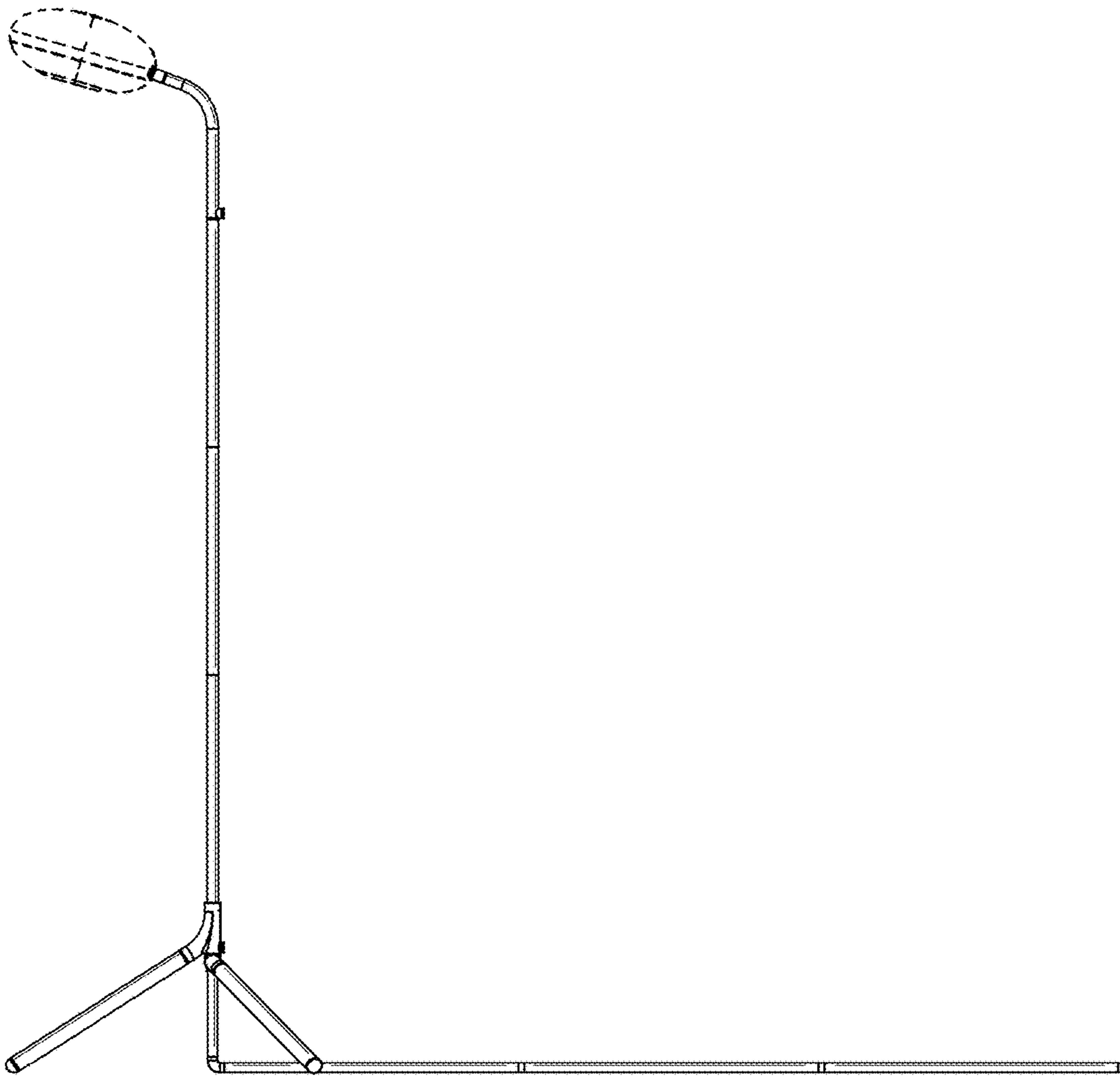


FIG. 5

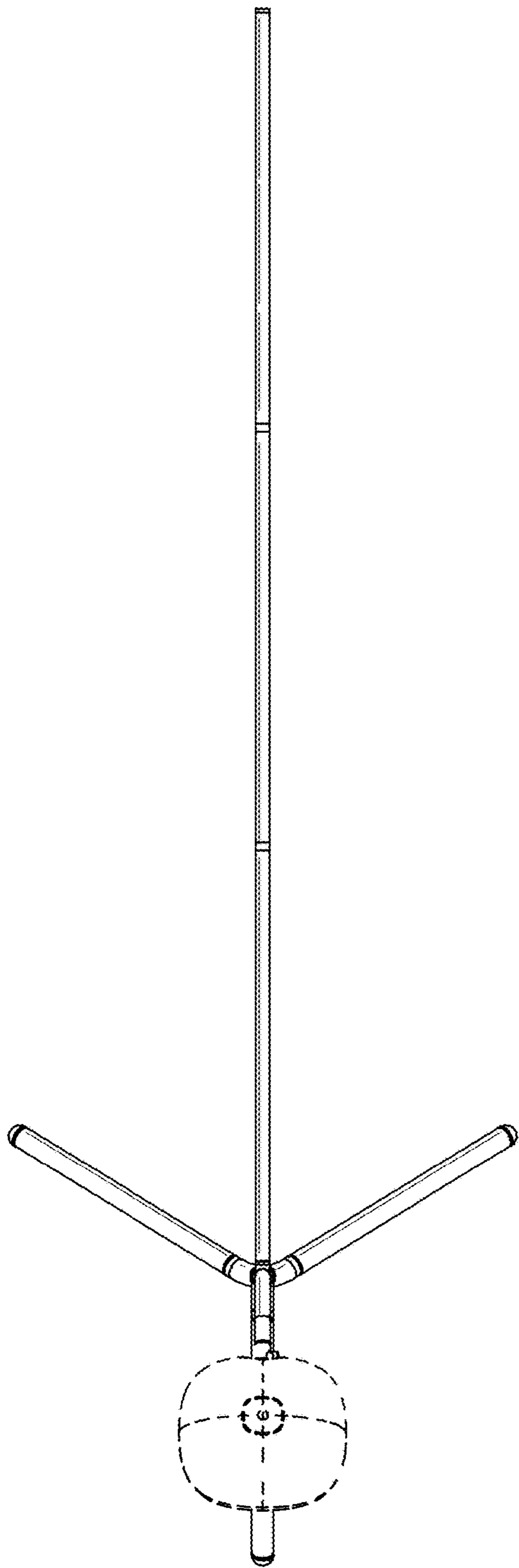


FIG. 6

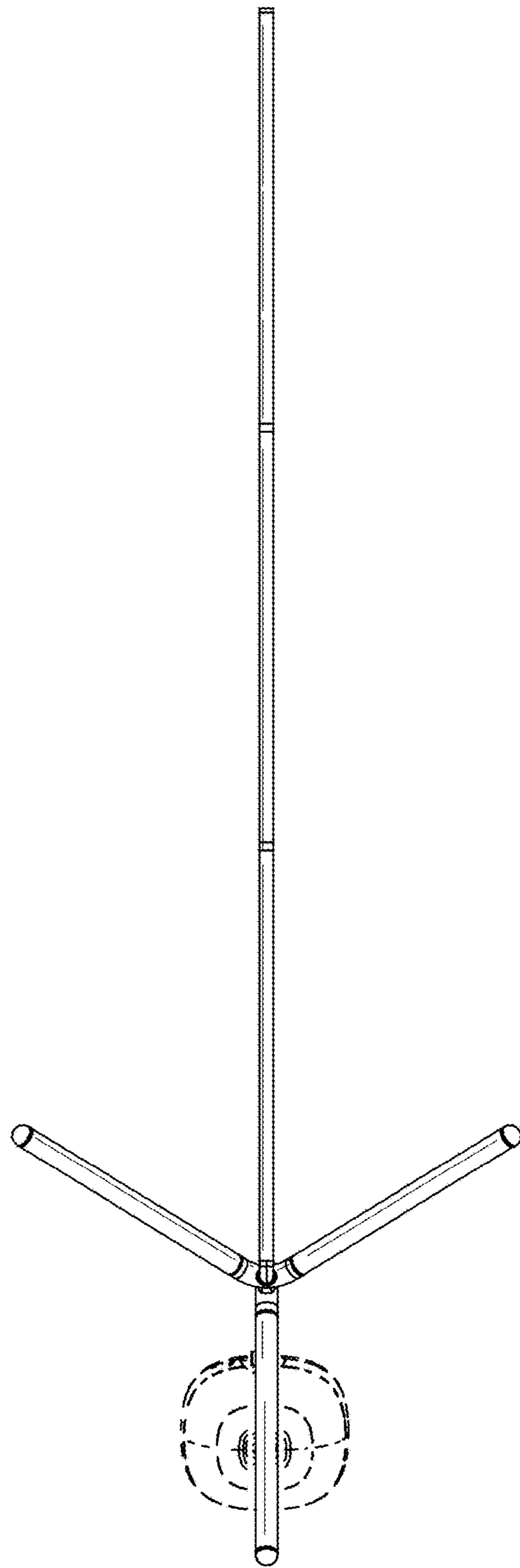


FIG. 7