



US00D788206S

(12) **United States Design Patent**  
**Wengreen**

(10) **Patent No.:** **US D788,206 S**  
(45) **Date of Patent:** **\*\* May 30, 2017**

(54) **CAMERA MOUNT**

(71) Applicant: **Mission Cables, LLC**, Ravensdale, WA (US)

(72) Inventor: **Brian Jeffrey Wengreen**, Ravensdale, WA (US)

(73) Assignee: **Mission Cables, LLC**, Ravensdale, WA (US)

(\*\*) Term: **15 Years**

(21) Appl. No.: **29/554,349**

(22) Filed: **Feb. 10, 2016**

(51) **LOC (10) Cl.** ..... **16-05**

(52) **U.S. Cl.**  
USPC ..... **D16/242**

(58) **Field of Classification Search**  
USPC ..... D16/200, 208, 213–219, 235, 237,  
D16/238–250; D14/209, 217, 224, 251;  
D8/307, 310, 349, 367  
CPC ..... G03B 17/14; G03B 17/56; G03B  
17/561–17/568; G03B 15/041–15/0436;  
G02B 7/00–7/002; G02B 7/02–7/04;  
F16M 11/02; F16M 11/04; F16M 11/20;  
F16M 11/40

See application file for complete search history.

(56) **References Cited**

**U.S. PATENT DOCUMENTS**

D715,349 S \* 10/2014 Boerup ..... D16/237  
D736,681 S \* 8/2015 Awasa ..... D12/160  
D741,696 S \* 10/2015 McGrath ..... D8/382  
D741,698 S \* 10/2015 McGrath ..... D8/382  
D743,955 S \* 11/2015 Wu ..... D14/253

D763,340 S \* 8/2016 O'Neill ..... D16/130  
D775,684 S \* 1/2017 Jacob ..... H04N 5/2251  
D16/242  
2015/0370150 A1\* 12/2015 O'Neill ..... G03B 17/565  
348/360

**OTHER PUBLICATIONS**

AC Outlet Wall Mount for Nest Cam. [online] Published date unknown. Retrieved on Mar. 1, 2017 from <URL: <https://missioncables.com/products-mc14/>>.\*

\* cited by examiner

*Primary Examiner* — Vy Koenig  
*Assistant Examiner* — Omeed Agilee

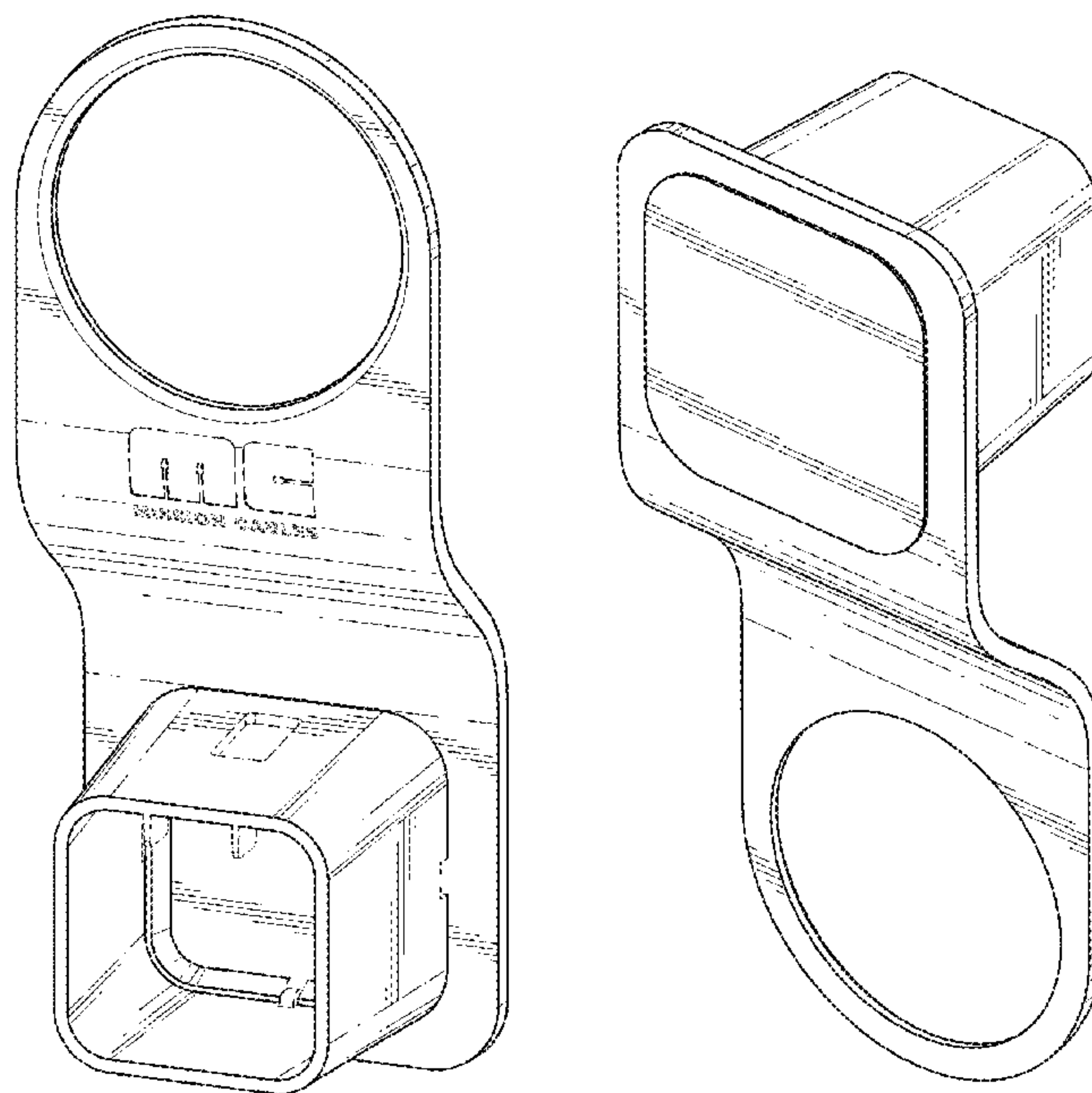
(57) **CLAIM**

The ornamental design for a camera mount, as shown and described.

**DESCRIPTION**

FIG. 1 is a back, first side, top perspective view thereof of a camera mount according to my design;  
FIG. 2 is a front, second side, bottom perspective view thereof;  
FIG. 3 is a back view thereof;  
FIG. 4 is a front view thereof;  
FIG. 5 is a first side view thereof, the second side view being a mirror image;  
FIG. 6 is a top view thereof; and,  
FIG. 7 is a bottom view thereof.  
The broken line portions of the figure drawings are included to show unclaimed subject matter only for the purpose of illustrating environment and form no part of the claimed design.

**1 Claim, 3 Drawing Sheets**



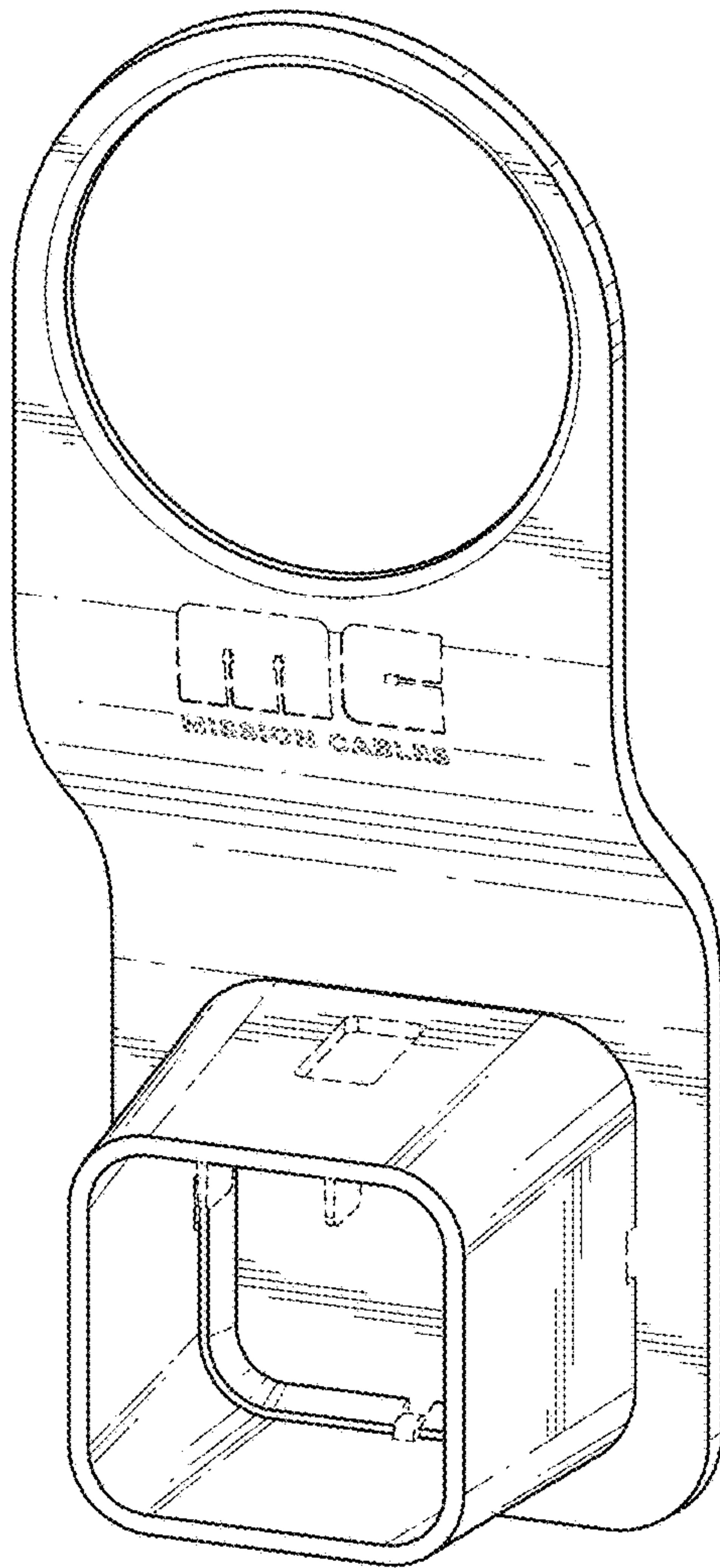


FIG. 1

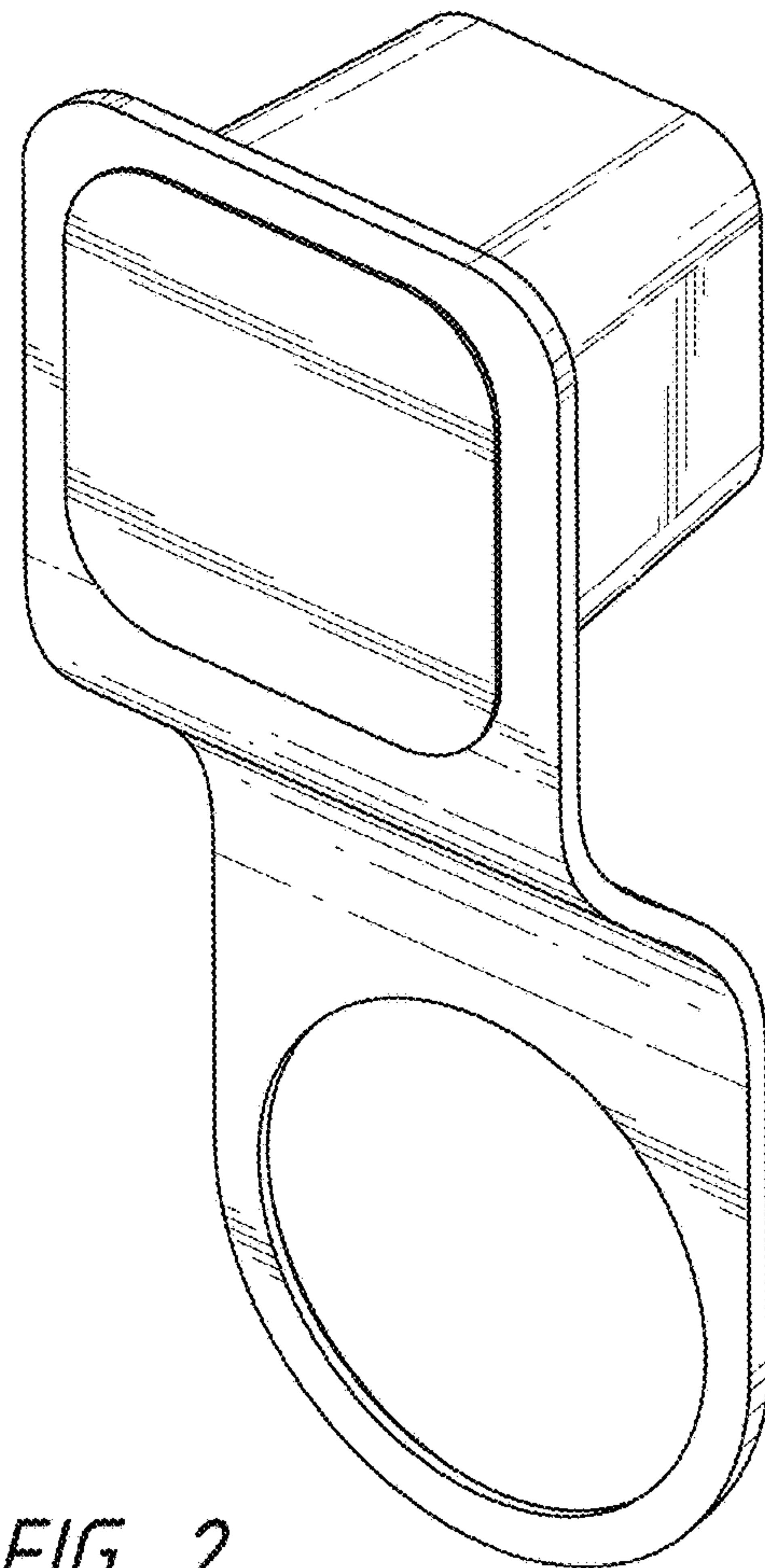


FIG. 2

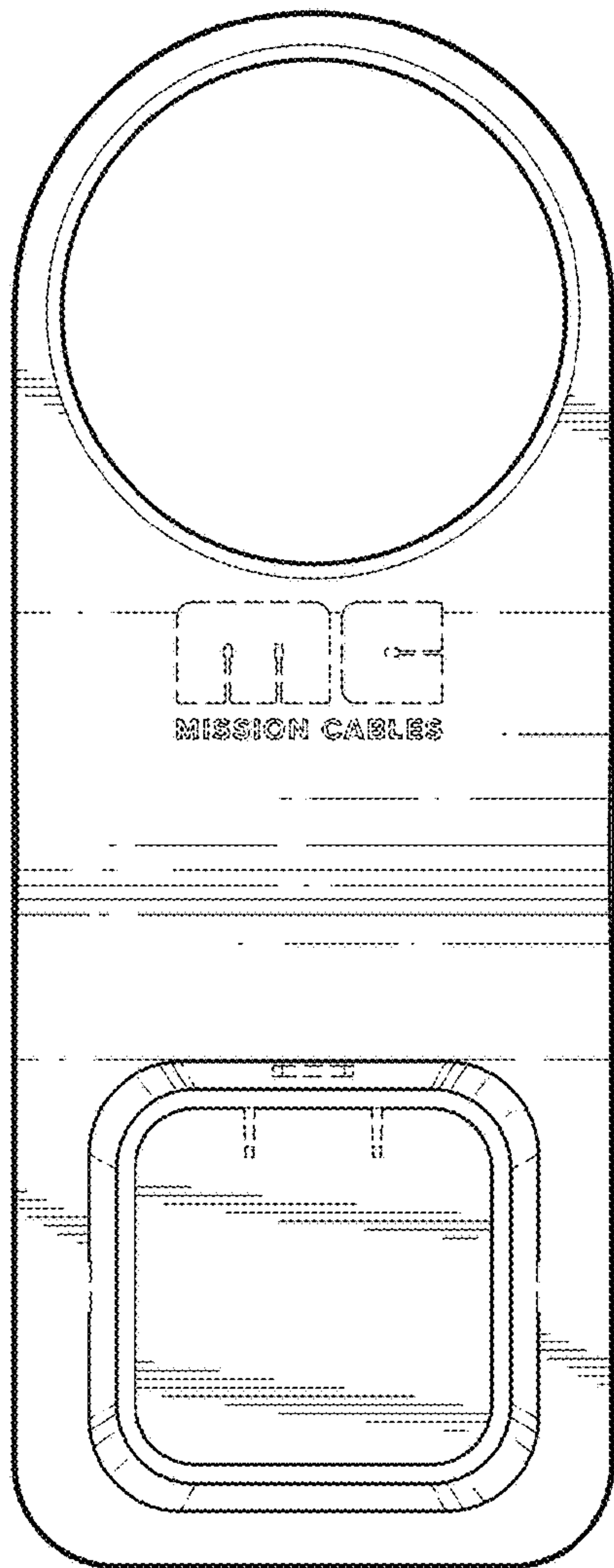


FIG. 3

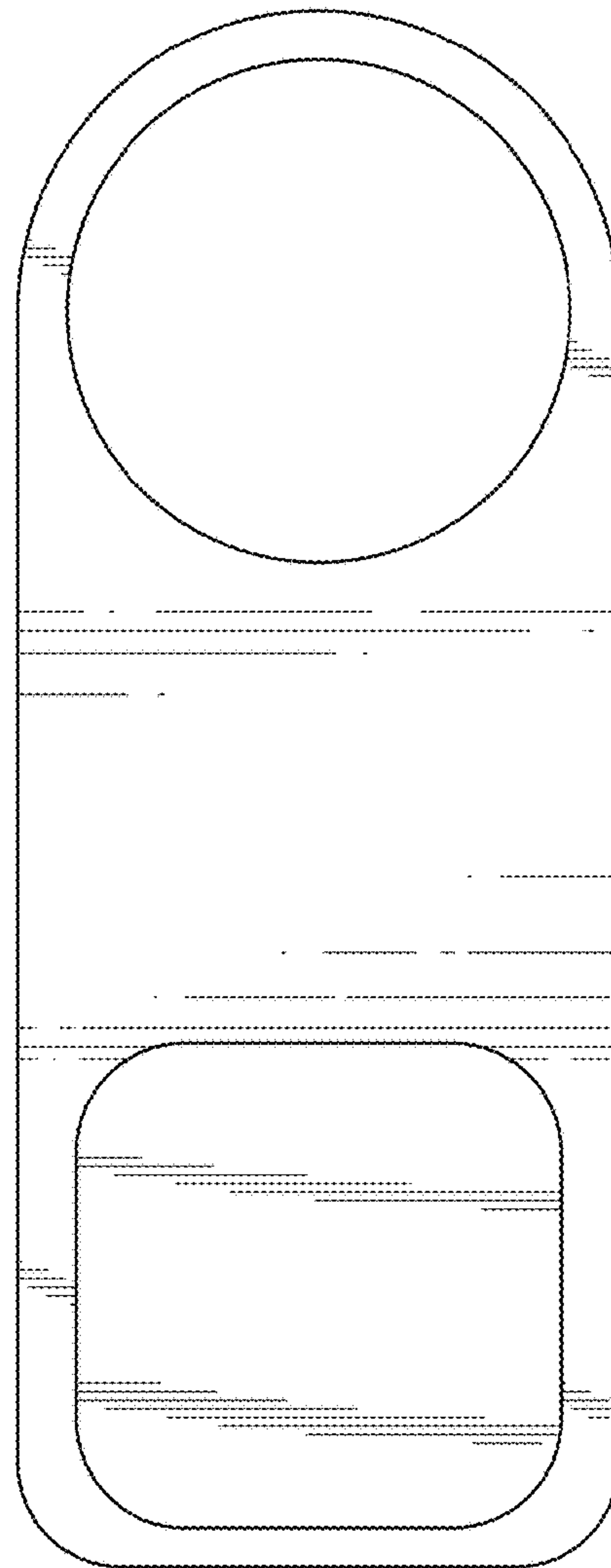


FIG. 4

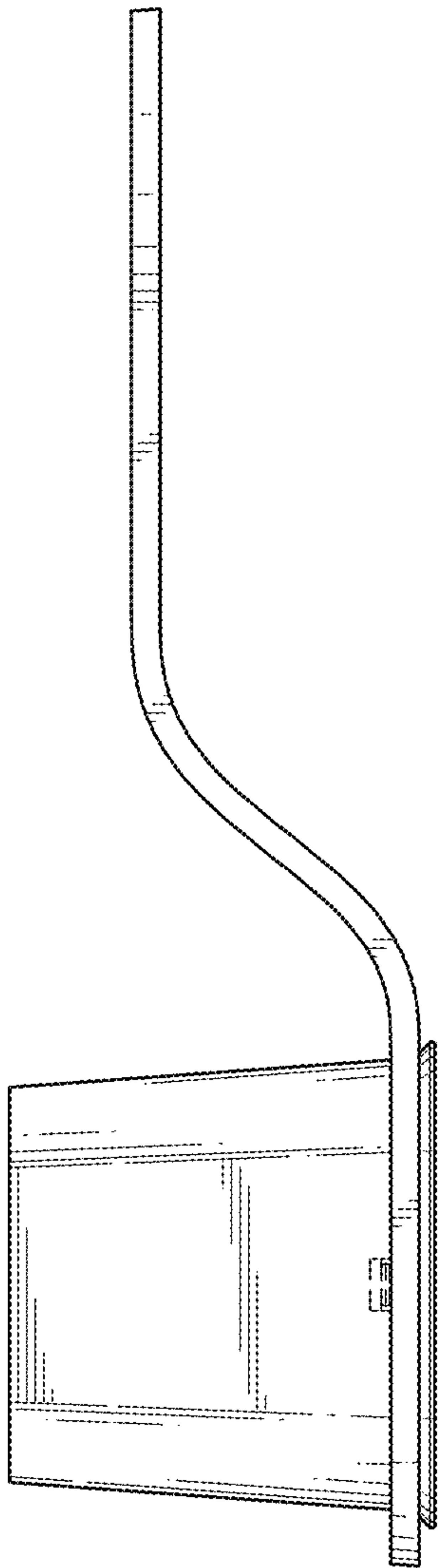


FIG. 5

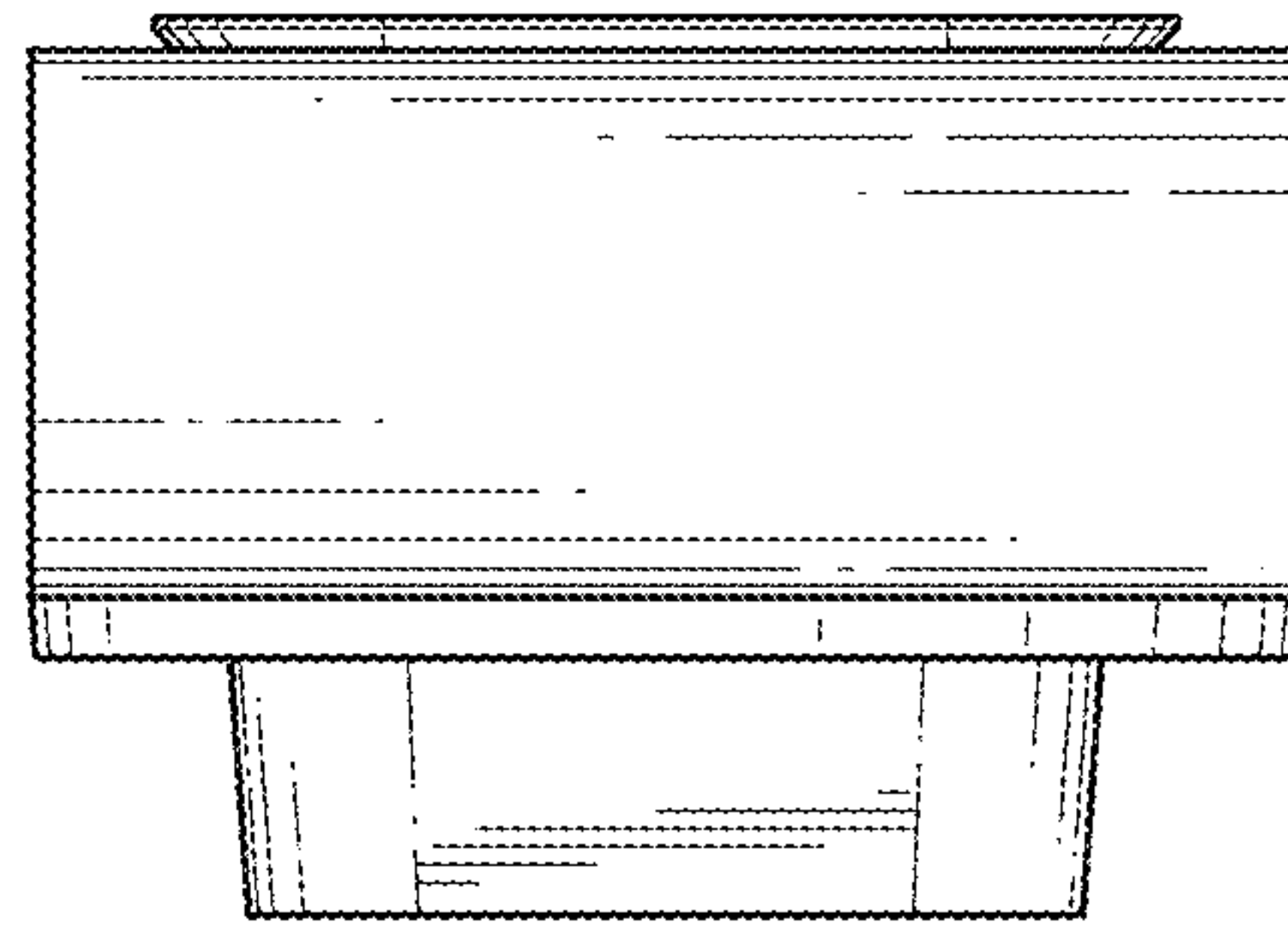


FIG. 6

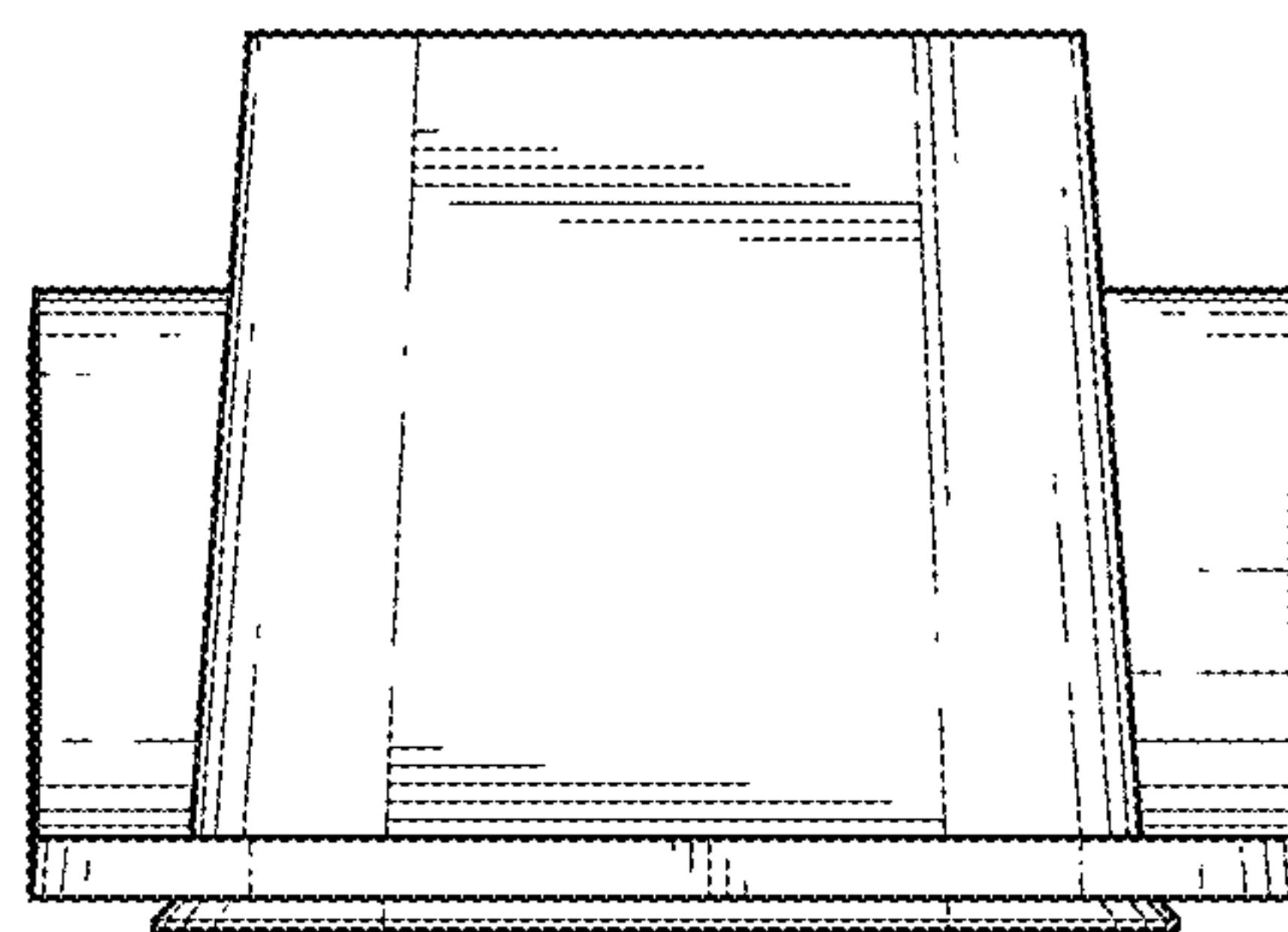


FIG. 7