



US00D788205S

(12) **United States Design Patent** (10) **Patent No.:** **US D788,205 S**
Jankura et al. (45) **Date of Patent:** **** May 30, 2017**

(54) **CAMERA LENS CLIP**

FOREIGN PATENT DOCUMENTS

(71) Applicant: **Peak Design, LLC**, San Francisco, CA (US)

WO 2014157859 A1 10/2014

(72) Inventors: **Robb Jankura**, San Francisco, CA (US); **Art Viger**, San Francisco, CA (US); **Joseph Dylan Cunningham**, San Francisco, CA (US); **Peter Dering**, San Francisco, CA (US); **Peter Lockett**, San Francisco, CA (US)

OTHER PUBLICATIONS

Aputure DEC LensRegain Adapter for Canon EF Mount Lenses to MFT Mount. [online] Published date unknown. Retrieved on Jan. 17, 2017 from <URL: https://www.bhphotovideo.com/c/product/1251088-REG/aputure_declr_mft_dec_lensregain_for_mft.html/?gclid=CO_9-7roydECFYIWDQodU5IBfg&c3api=0272%2C171804692538&ap=y>.*

(73) Assignee: **Peak Design, LLC**, San Francisco, CA (US)

(Continued)

(**) Term: **15 Years**

Primary Examiner — Vy Koenig

Assistant Examiner — Omeed Agilee

(21) Appl. No.: **29/543,120**

(74) *Attorney, Agent, or Firm* — Adams Grumbles, LLP; Paul Feng; Brittany Nanzig

(22) Filed: **Oct. 21, 2015**

(51) **LOC (10) Cl.** **16-05**

(57) **CLAIM**

(52) **U.S. Cl.**

The ornamental design for a camera lens clip, as shown and described.

USPC **D16/237**

(58) **Field of Classification Search**

DESCRIPTION

USPC D16/134, 136, 200, 204, 208, 213–219, D16/235, 237–250; D14/203, 209, 217, D14/218, 224, 250–253, 345, 440, 449; D8/363, 373, 394
CPC G03B 17/02; G03B 17/04; G03B 17/14; G03B 21/20–21/2066; G03B 15/041–15/0436; G03B 17/56; F16M 11/32

FIG. 1 is a front elevational view of the camera lens clip; the back elevational view is a mirror image of the front elevation view.

FIG. 2 is a right side elevational view of the camera lens clip; the left side elevational view is a mirror image of the right side elevational view.

See application file for complete search history.

FIG. 3 is a top view of a camera lens clip showing our new design.

(56) **References Cited**

U.S. PATENT DOCUMENTS

1,971,434 A * 8/1934 Trautmann G02B 7/023 359/819
D339,599 S * 9/1993 Tiffen D16/219
5,862,428 A * 1/1999 An G03B 17/12 359/889
6,435,339 B1 * 8/2002 Kroupa A45C 11/005 206/38

FIG. 4 is a bottom view of the camera lens clip.

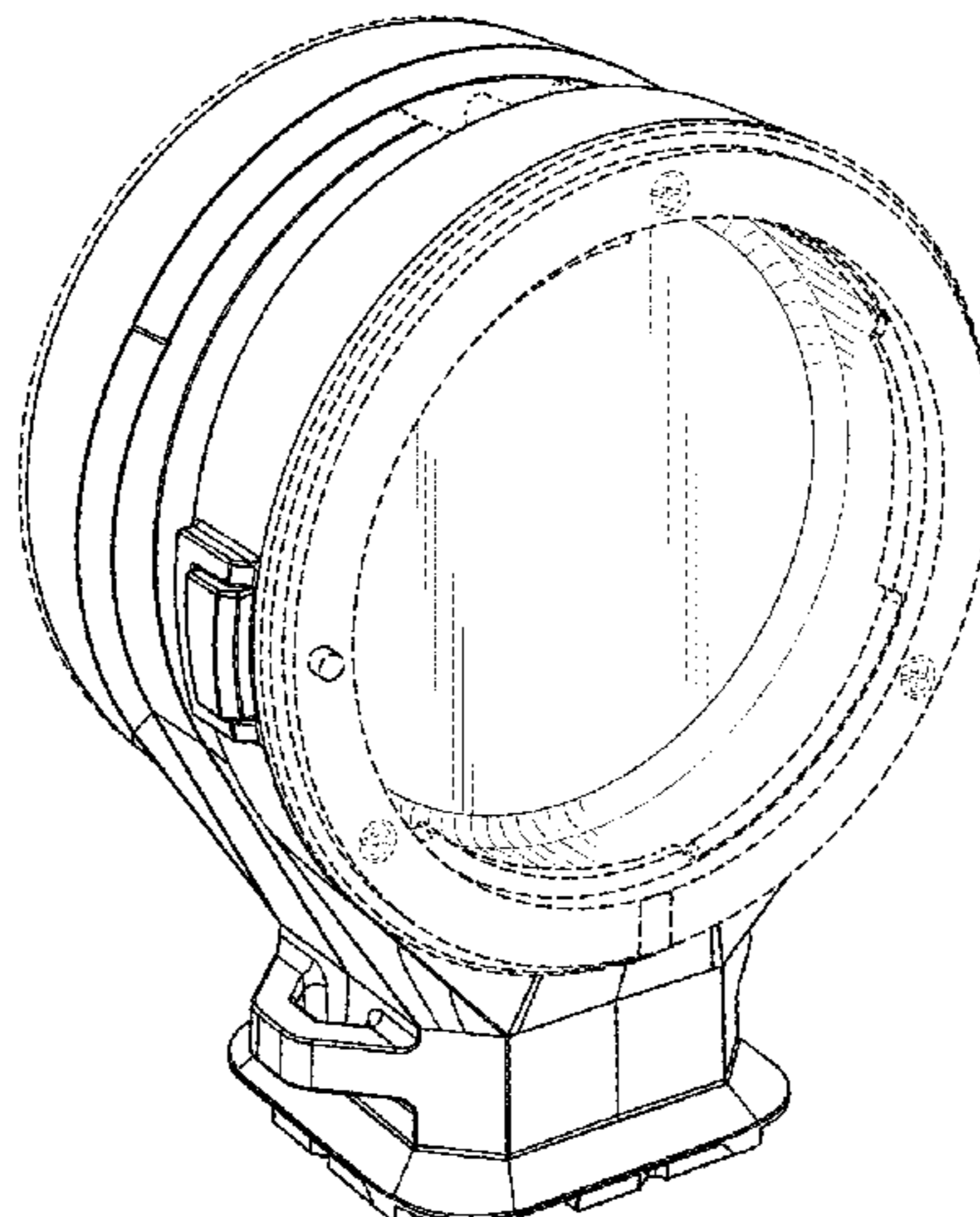
FIG. 5 is a bottom perspective view of the camera lens clip; and,

FIG. 6 is a right side perspective view of the camera lens clip; the left side perspective view is a mirror image of the right side perspective view.

The broken lines in the drawings depict parts of the camera lens clip that form no part of the claimed design.

(Continued)

1 Claim, 3 Drawing Sheets



(56)

References Cited

U.S. PATENT DOCUMENTS

D529,065 S * 9/2006 Watanabe D16/134
D546,863 S * 7/2007 Ito D16/134
D565,621 S * 4/2008 Yamane D16/202
8,029,199 B1 10/2011 Kimball
D649,993 S * 12/2011 Ding D16/134
D694,264 S * 11/2013 Reinhardt D10/46
D719,605 S * 12/2014 Dordick D16/245
D757,530 S * 5/2016 Straney D8/394

OTHER PUBLICATIONS

CaptureLENS and Lens Kit by Peak Design. [online] Published date Aug. 27, 2015. Retrieved on Jan. 17, 2017 from <URL: <https://www.youtube.com/watch?v=uypx0kTRVEo>>.*

GoWing USA, LLC; The Lens Flipper by GoWing; Website; Sep. 2014; <http://lensflipper.com>.

Quikdraw; Quikdraw Lens Management Systems; Website; Aug. 2012; <http://www.quikdraw.com>.

Joe Turic; Simple Mod to “stack” Small Lenses in Your Camera Bag; Website; Dec. 8, 2014; <http://www.lessgearmorephotos.com/simple-mod-to-stack-small-lenses-in-your-camera-bag/>.

* cited by examiner

FIG. 1

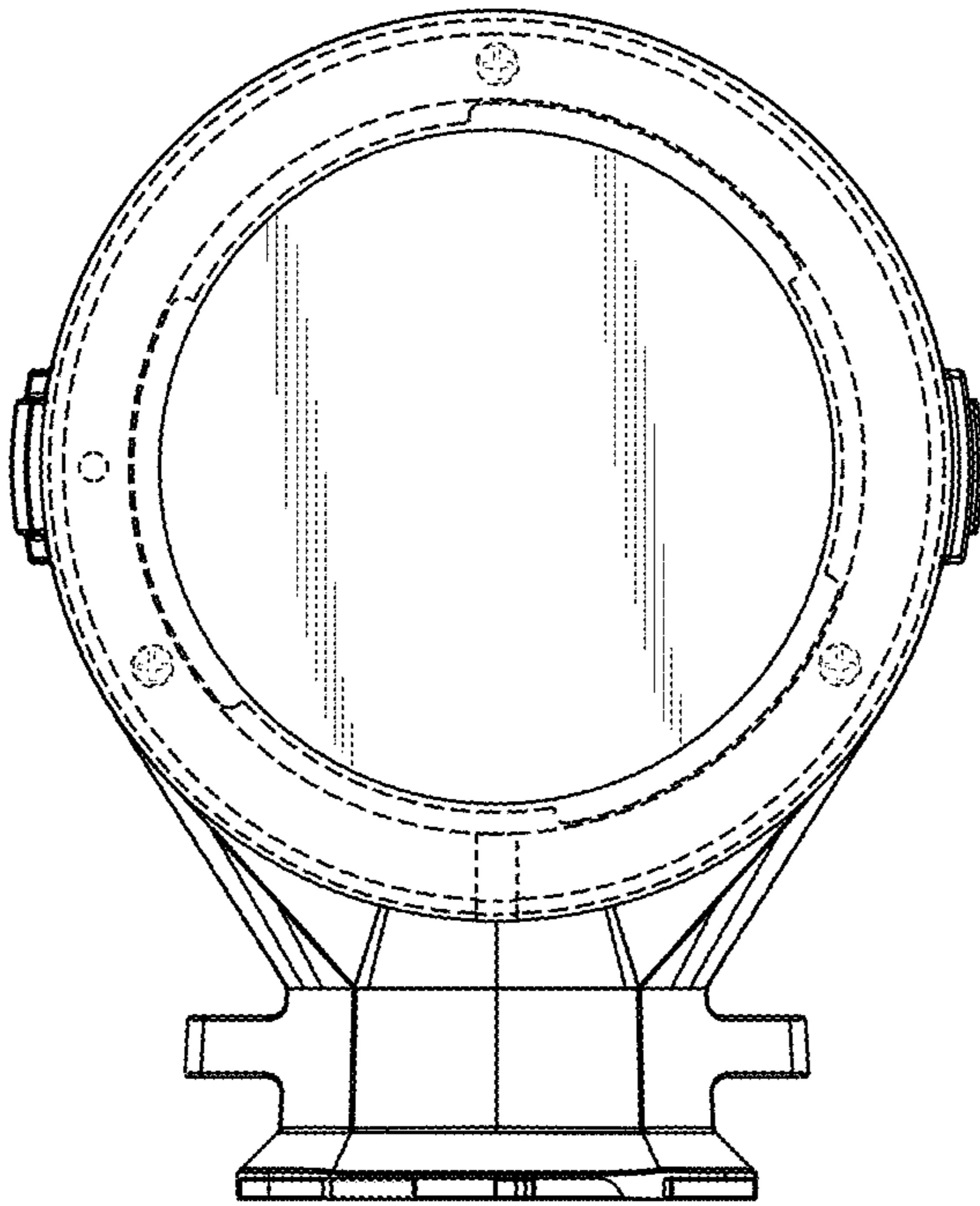


FIG. 2

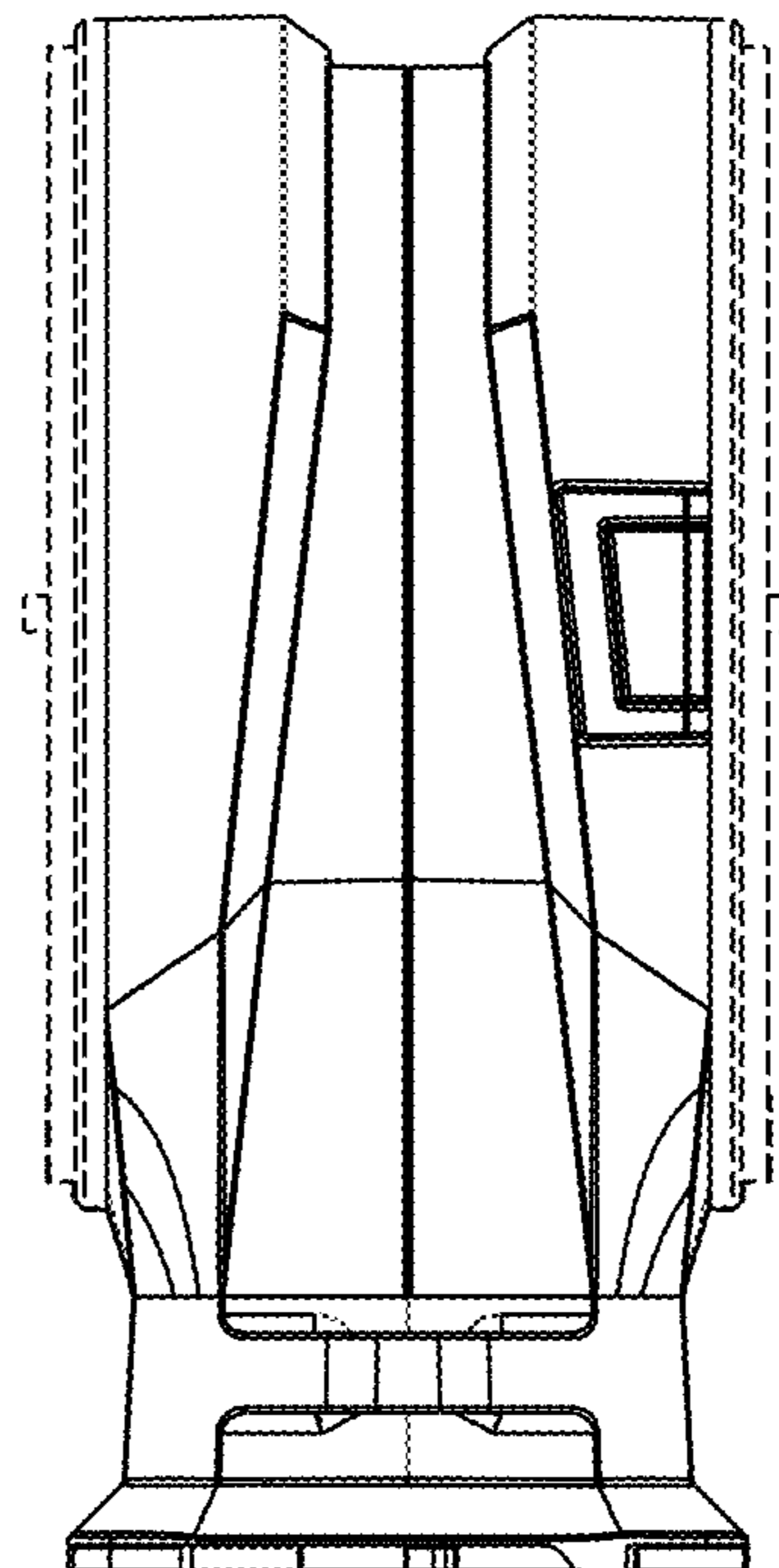


FIG. 3

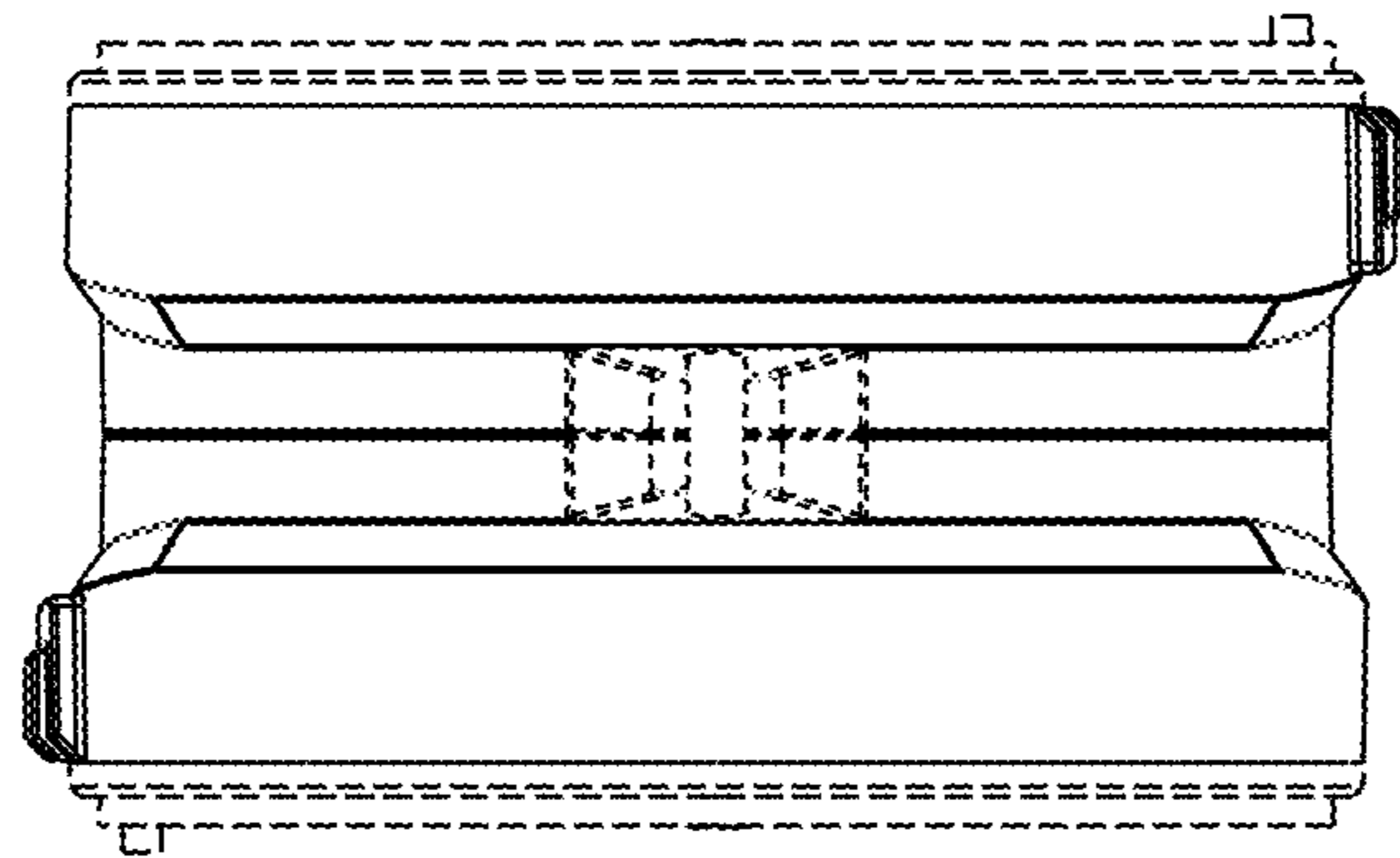


FIG. 4

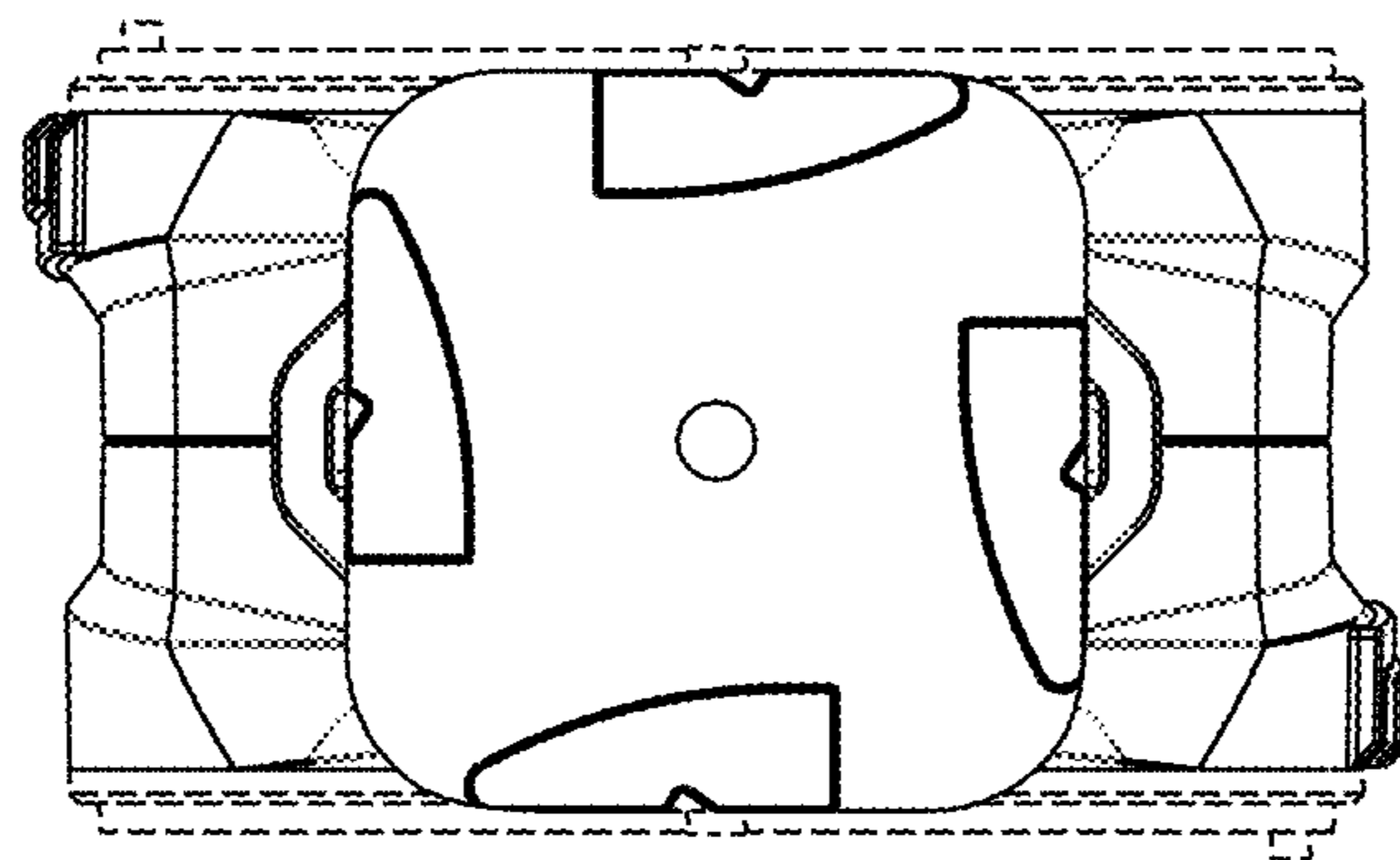


FIG. 5

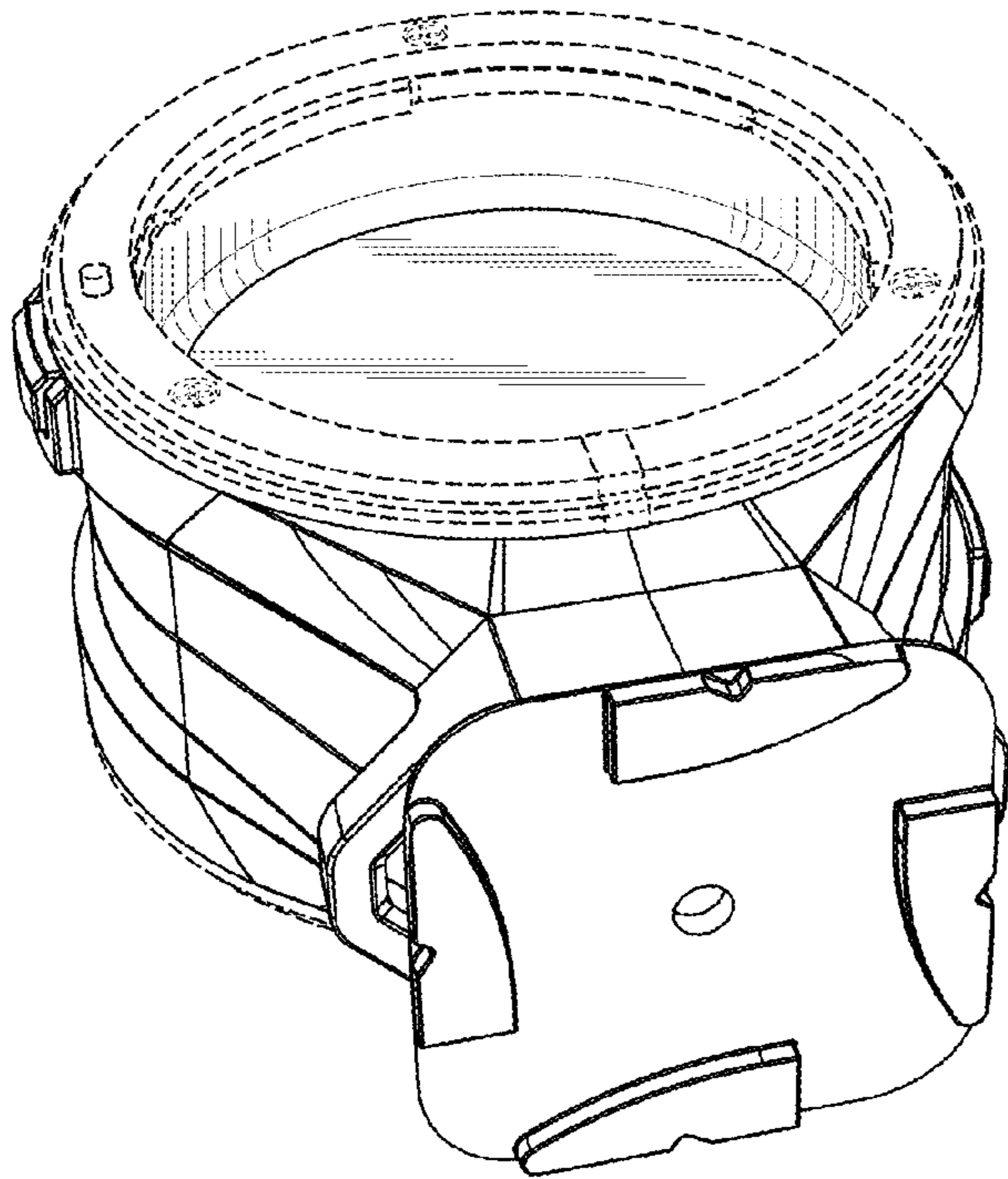


FIG. 6

