



US00D788204S

(12) **United States Design Patent**
Kimura et al.

(10) **Patent No.:** **US D788,204 S**

(45) **Date of Patent:** **** May 30, 2017**

(54) **PROJECTOR**

(71) Applicant: **Hitachi Maxell, Ltd.**, Ibaraki-shi,
Osaka (JP)

(72) Inventors: **Shigetaka Kimura**, Tokyo (JP); **Shinji Shibuya**, Tokyo (JP); **Kazumasa Ueoka**, Fujian (CN); **Yusuke Nakajima**, Osaka (JP)

(73) Assignee: **Hitachi Maxell, Ltd.**, Ibaraki-shi (JP)

(**) Term: **15 Years**

(21) Appl. No.: **29/554,591**

(22) Filed: **Feb. 12, 2016**

(30) **Foreign Application Priority Data**

Sep. 18, 2015 (JP) 2015-020826

(51) **LOC (10) Cl.** **16-02**

(52) **U.S. Cl.**
USPC **D16/230; D16/225**

(58) **Field of Classification Search**
USPC D16/221, 225, 230–231, 234; D21/514
CPC G03B 21/145; G03B 21/00; G03B 21/001;
G03B 21/003; G03B 21/14; G03B 21/12
See application file for complete search history.

(56) **References Cited**

U.S. PATENT DOCUMENTS

D544,898 S * 6/2007 Kawabe D16/230
D555,185 S * 11/2007 Nozue D16/230

D575,811 S * 8/2008 Ohki D16/225
D664,585 S * 7/2012 Senda D16/225
D727,996 S * 4/2015 Ogawa D16/230
D738,949 S * 9/2015 Okamoto D16/225

* cited by examiner

Primary Examiner — Wan Laymon

(74) *Attorney, Agent, or Firm* — Crowell & Moring LLP

(57) **CLAIM**

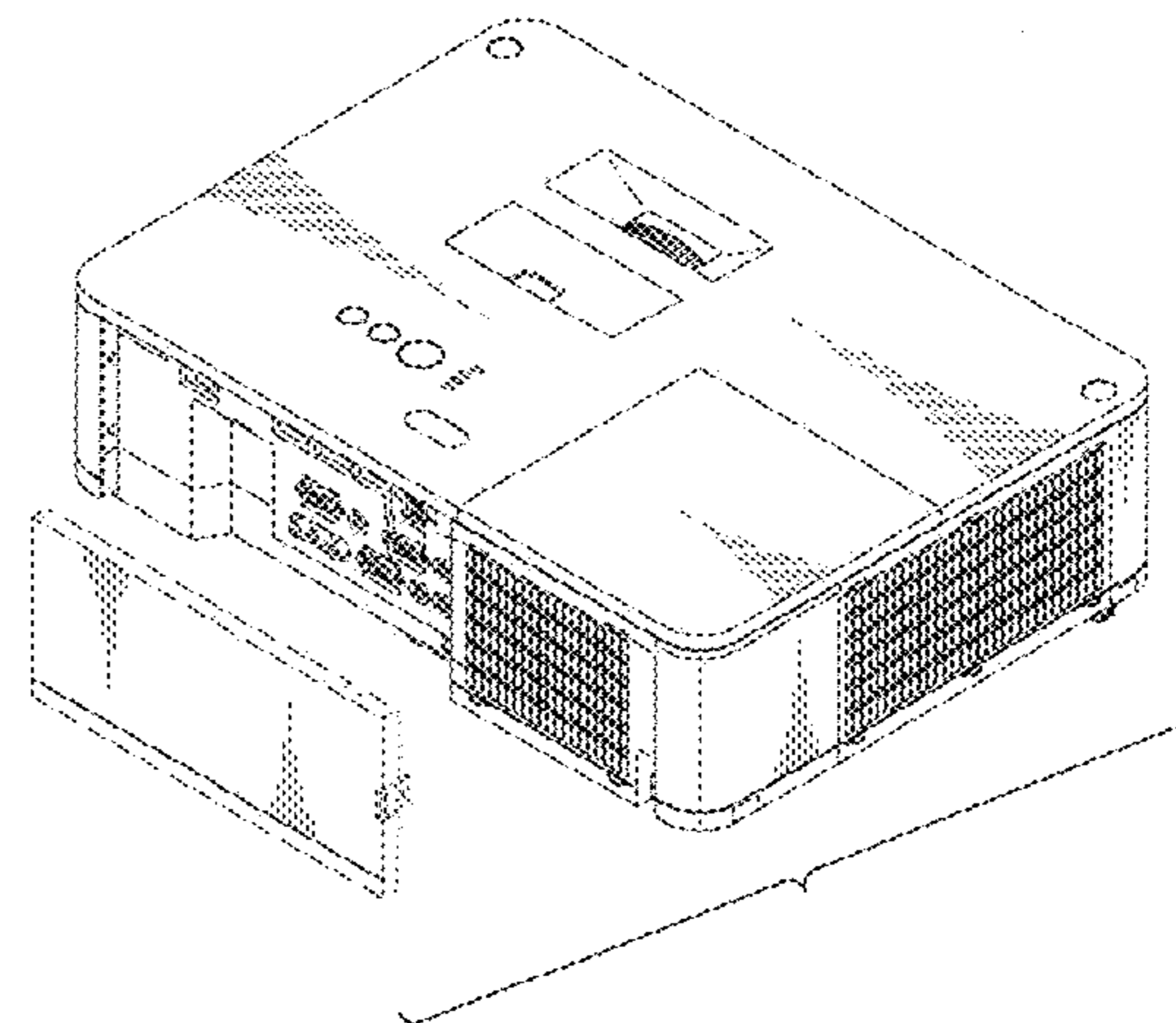
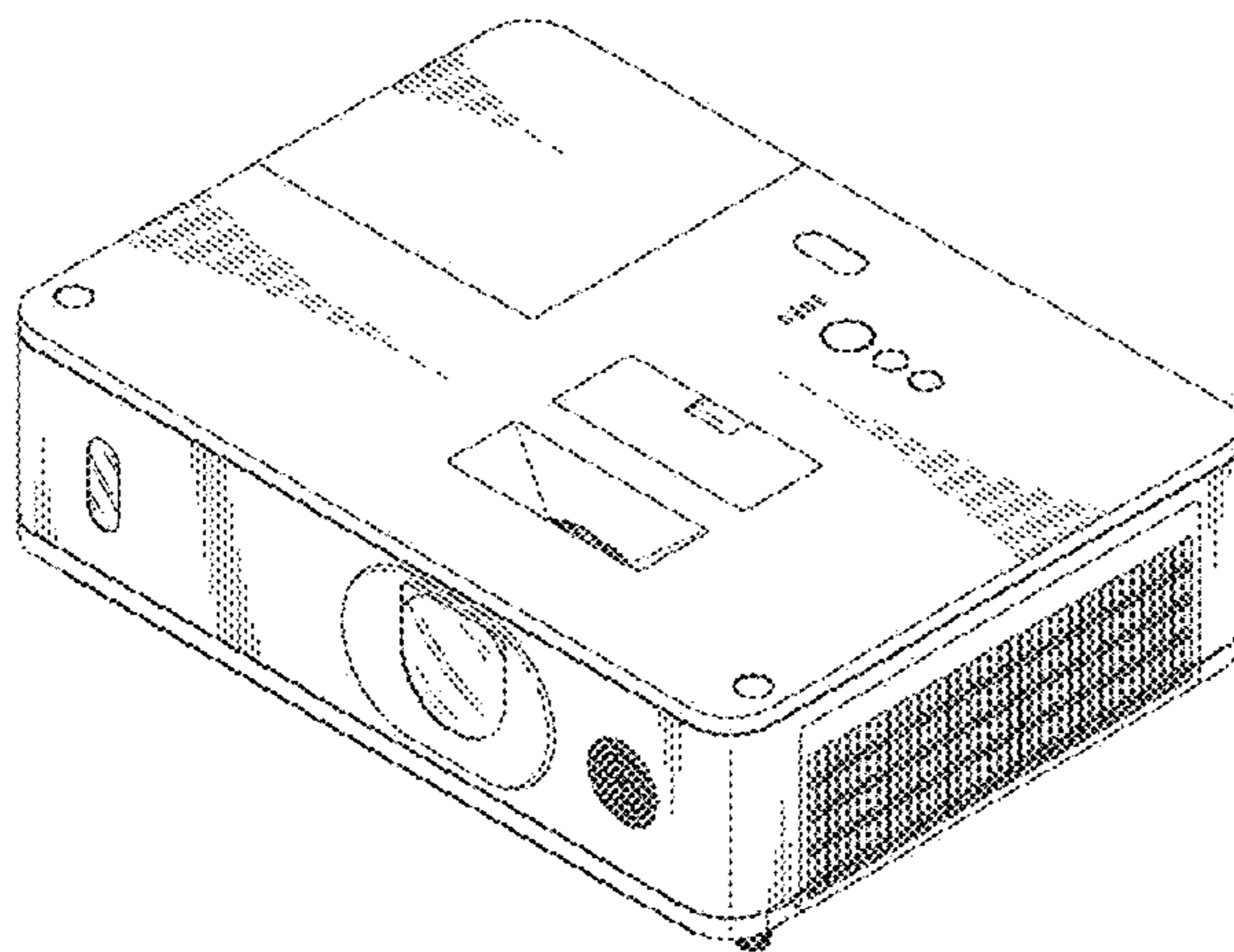
The ornamental design for a projector, as shown and described.

DESCRIPTION

FIG. 1 is a front elevational view of a projector according to the design;
FIG. 2 is a right side elevational view thereof;
FIG. 3 is a left side elevational view thereof;
FIG. 4 is a top plan view thereof;
FIG. 5 is a bottom plan view thereof;
FIG. 6 is a rear elevational view thereof;
FIG. 7 is a front perspective view thereof; and,
FIG. 8 is an exploded rear perspective view with rear panel being removed.

The broken lines in FIG. 8 represent portions of the projector that form no part of the claimed design.

1 Claim, 8 Drawing Sheets



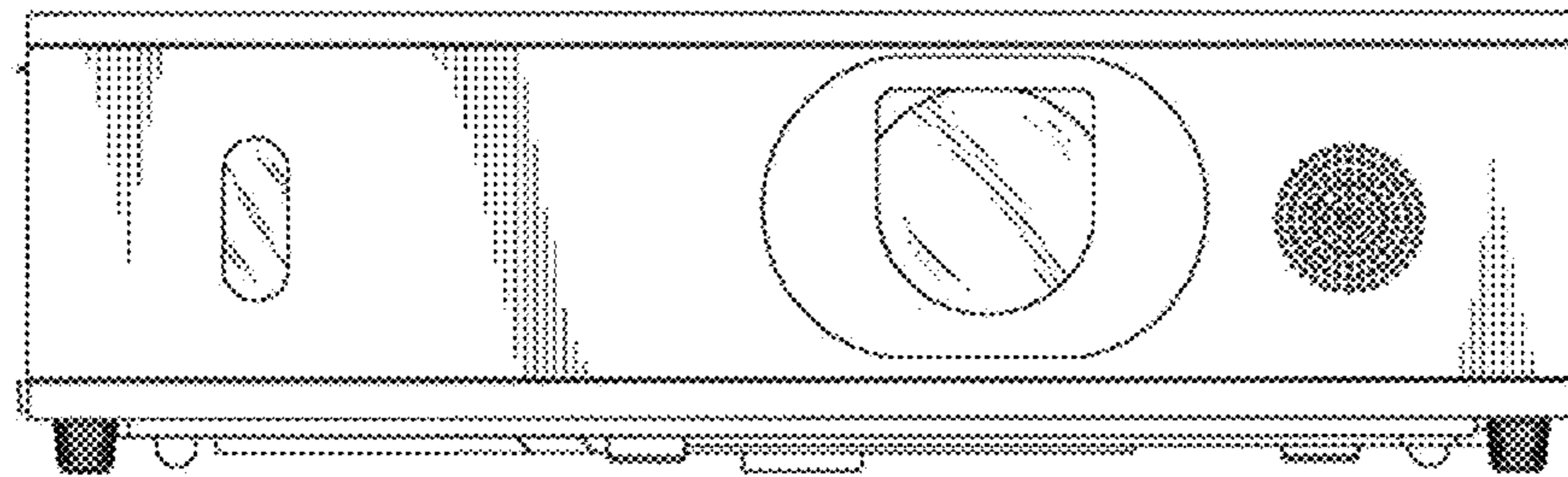


FIG. 1

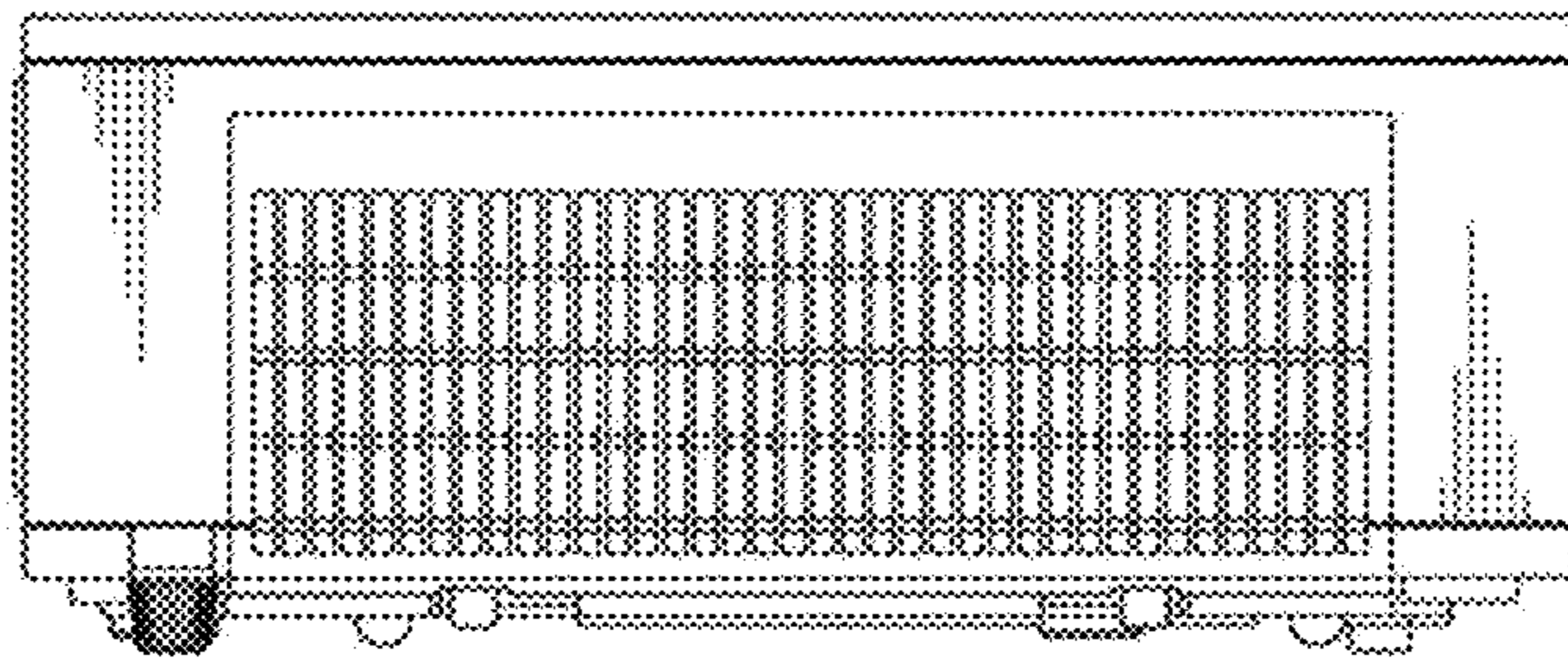


FIG. 2

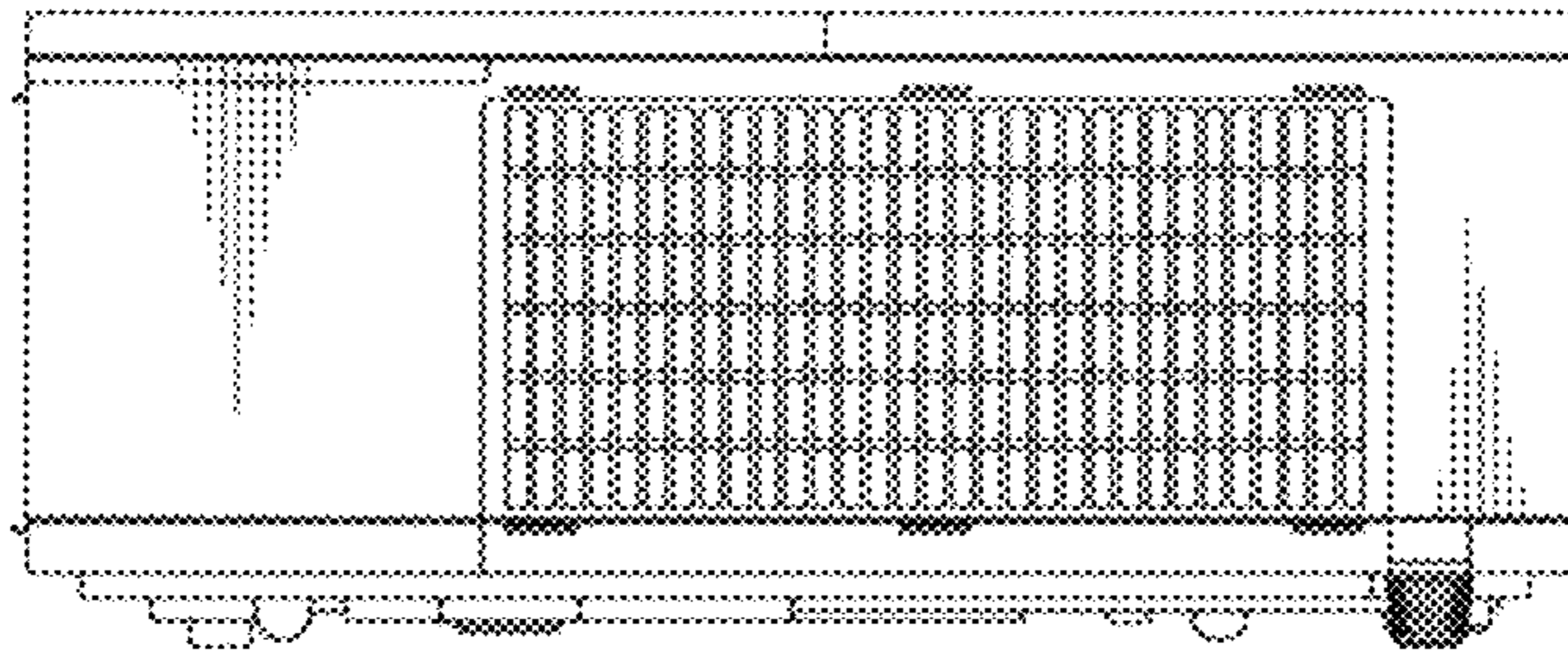


FIG. 3

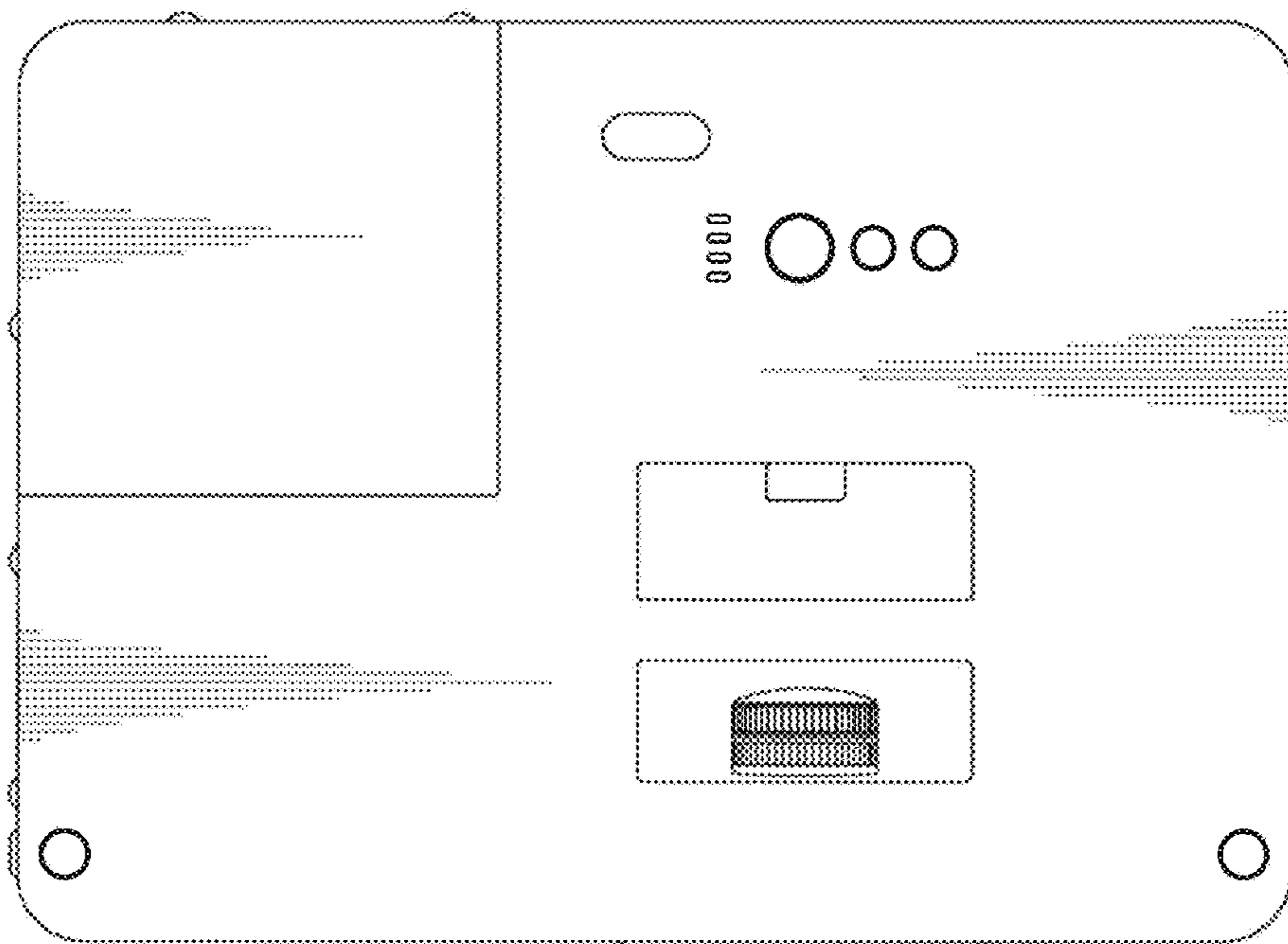


FIG. 4

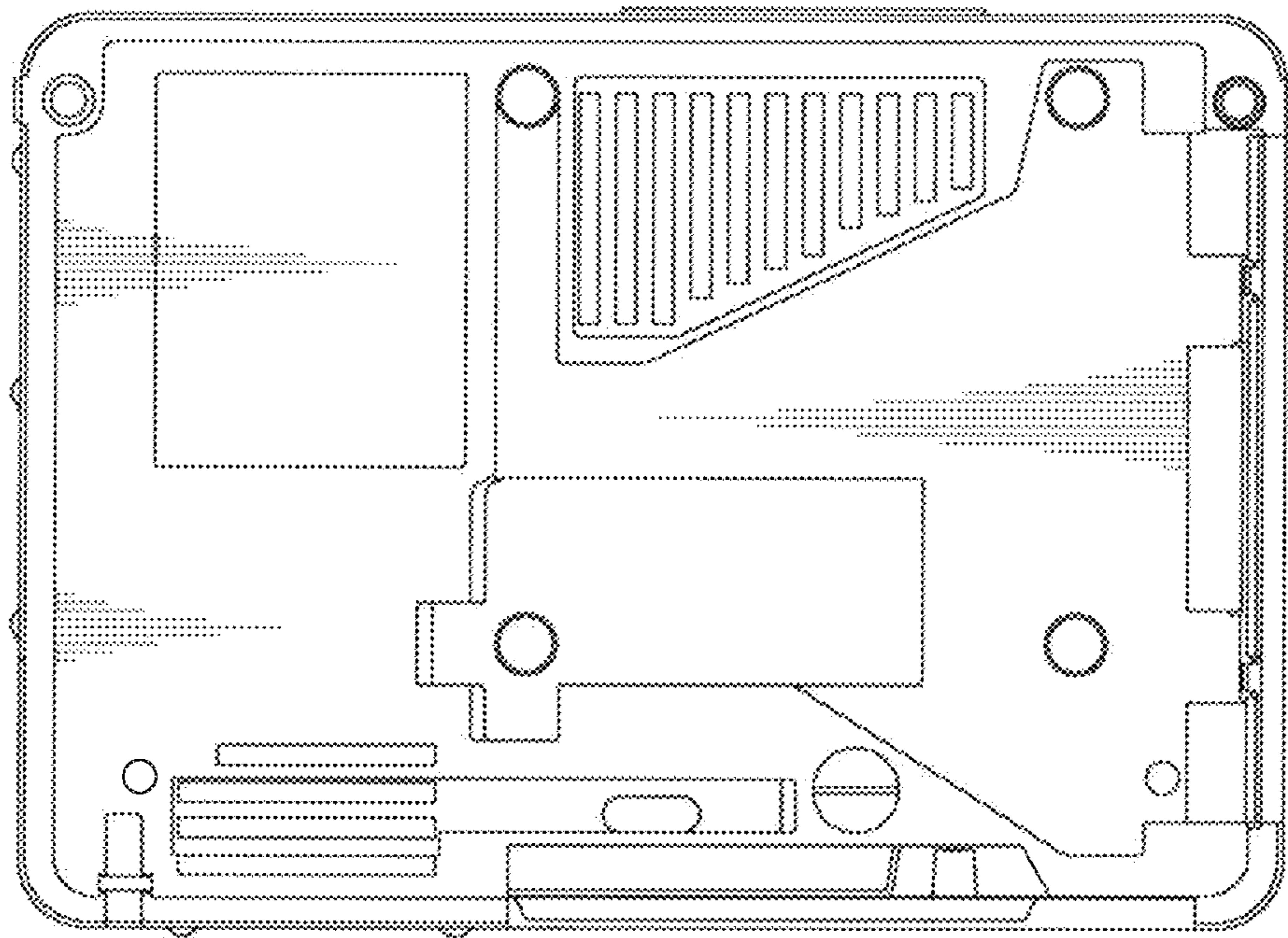


FIG. 5

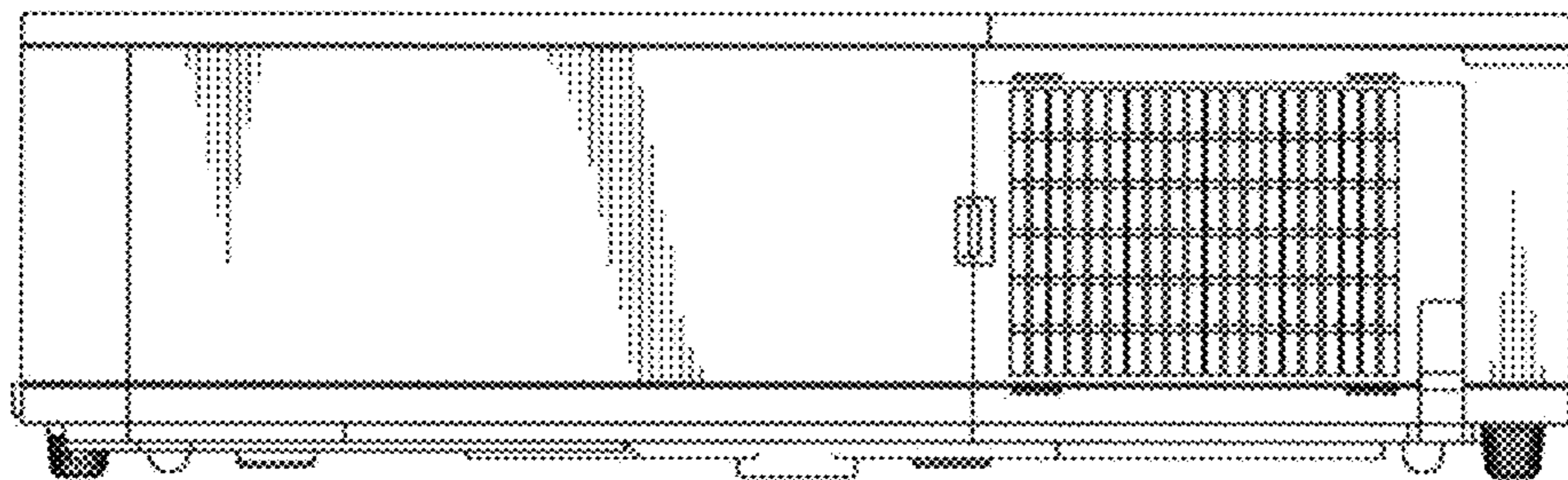


FIG. 6

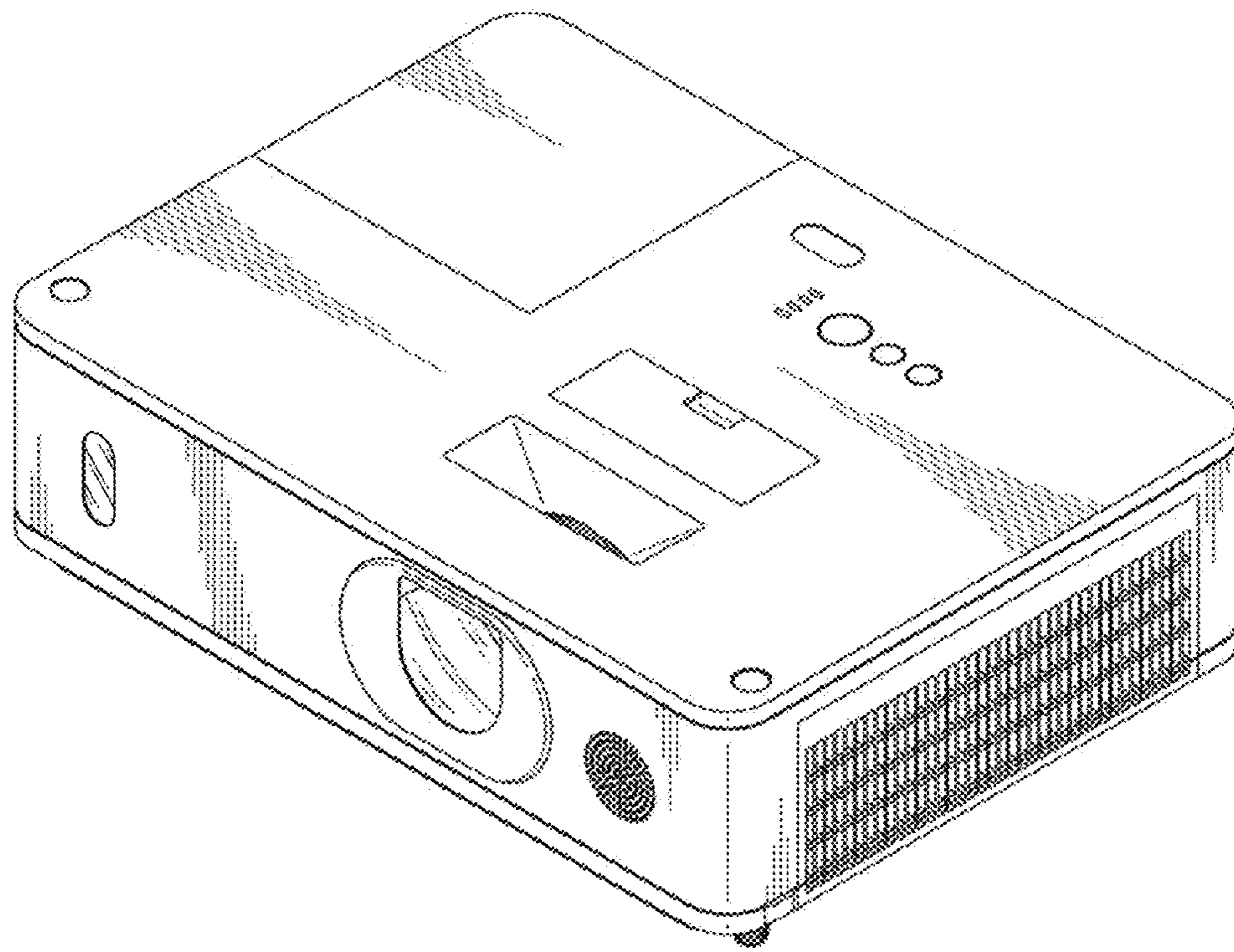


FIG. 7

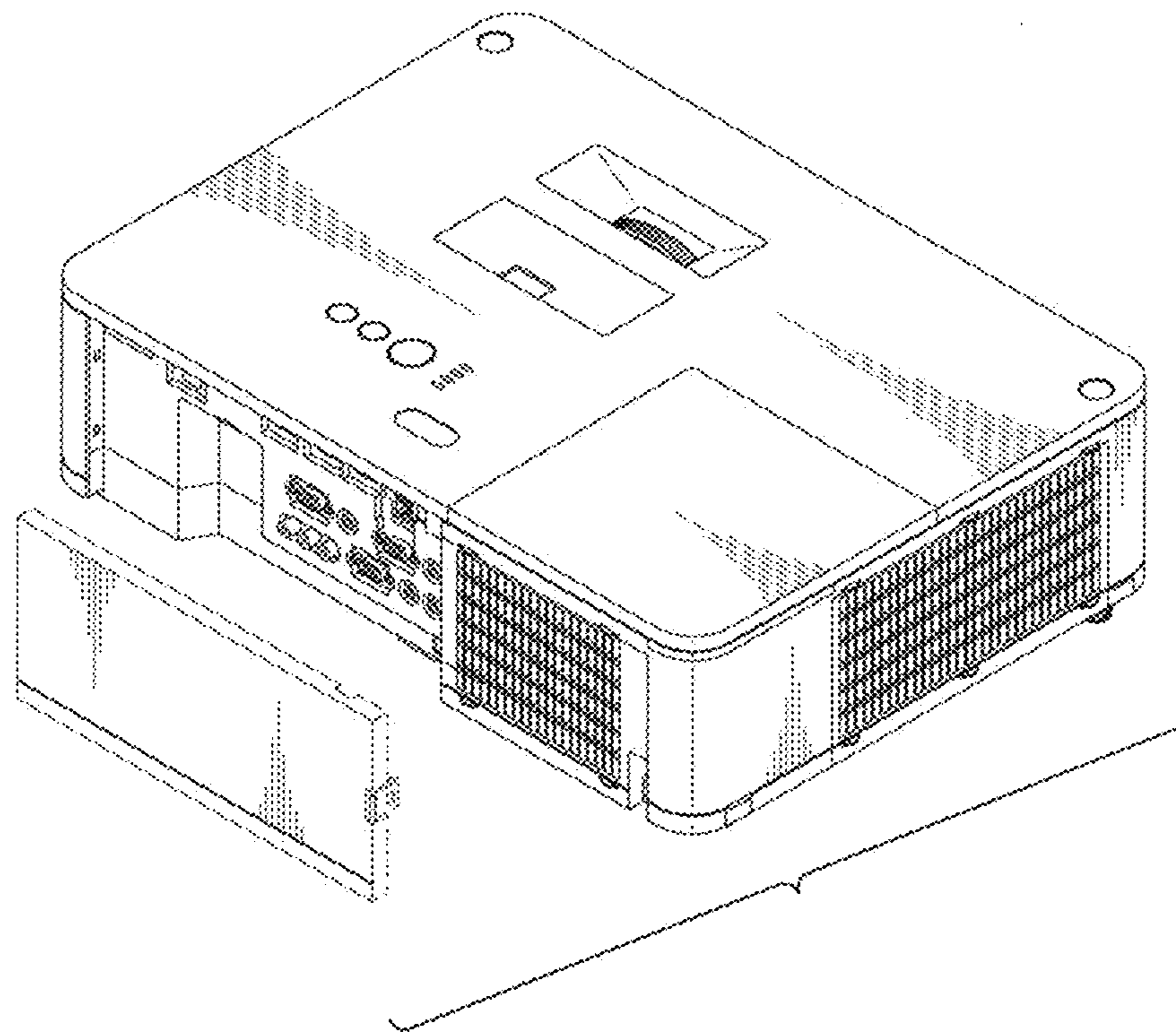


FIG. 8