



US00D788203S

(12) **United States Design Patent**
Kobayashi

(10) **Patent No.:** **US D788,203 S**
(45) **Date of Patent:** **** May 30, 2017**

(54) **FILTER FRAME FOR A CAMERA**
(71) Applicant: **KABUSHIKI KAISHA TSUSO,**
Nagano (JP)
(72) Inventor: **Hideo Kobayashi,** Nagano (JP)
(73) Assignee: **KABUSHIKI KAISHA TSUSO,**
Nagano (JP)
(**) Term: **15 Years**

D700,233 S * 2/2014 Kim D16/237
D729,297 S * 5/2015 Ikegame D16/202
D730,965 S * 6/2015 Ham D16/202
D731,576 S * 6/2015 Ham D16/219
D740,345 S * 10/2015 Fujita D16/219
D745,592 S * 12/2015 Oh D16/134
2007/0013800 A1* 1/2007 Pope G02B 7/021
348/333.01
2009/0147127 A1* 6/2009 Ogawa G03B 17/02
348/374
2010/0111519 A1* 5/2010 Kobayashi G03B 11/00
396/544

(Continued)

(21) Appl. No.: **29/534,229**
(22) Filed: **Jul. 27, 2015**

(30) **Foreign Application Priority Data**

Jan. 30, 2015 (JP) D2015-001745

(51) **LOC (10) Cl.** **16-05**
(52) **U.S. Cl.**
USPC **D16/219**

(58) **Field of Classification Search**
USPC D16/219, 134-135, 205-206, 242-243,
D16/200, 208, 204, 218; 396/55, 176,
396/241, 275, 534-541; 348/373-376;
358/909.1
CPC G03B 7/18; G03B 11/04; G03B 11/045;
G03B 17/02; G03B 2217/00-2217/002
See application file for complete search history.

(56) **References Cited**

U.S. PATENT DOCUMENTS

D119,256 S * 3/1940 Darling D16/134
4,621,889 A * 11/1986 Chikano G02B 5/208
359/359
4,684,231 A * 8/1987 Athy G03B 11/00
359/892
D339,599 S * 9/1993 Tiffen D16/219
D529,065 S * 9/2006 Watanabe D16/134
D650,821 S * 12/2011 Verhey D16/134
D689,109 S * 9/2013 Kim D16/202

OTHER PUBLICATIONS

Conversion Lens CLA-T01. Olympus Japan, undated (Retrieved from the Internet Jul. 26, 2016). Internet URL: <https://olympus-imaging.jp/product/compact/accessory/conversion_lens/clat01.html>.*

(Continued)

Primary Examiner — Eric Goodman
Assistant Examiner — Rachel Voorhies

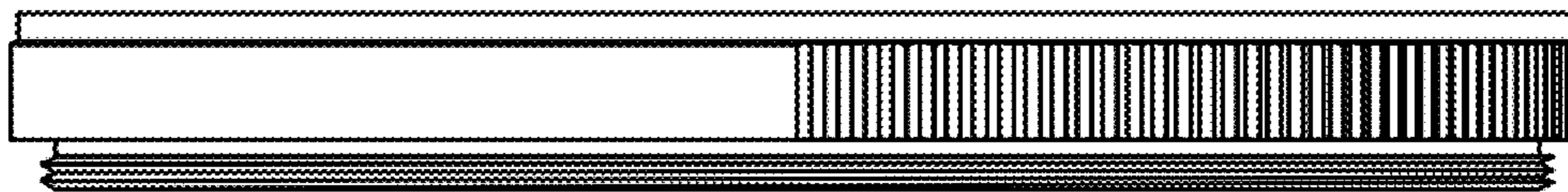
(57) **CLAIM**

The ornamental design for a filter frame for a camera, as shown and described.

DESCRIPTION

FIG. 1 is a front side elevational view of a filter frame for a camera showing my new design;
FIG. 2 is a rear plan view thereof;
FIG. 3 is a left side elevational view thereof, a right side elevational view thereof being a mirror image of the left side elevational view thereof;
FIG. 4 is a top plan view thereof;
FIG. 5 is a bottom plan view thereof; and,
FIG. 6 is a cross sectional view thereof taken along a line 6-6 of FIG. 1.

1 Claim, 6 Drawing Sheets



(56)

References Cited

U.S. PATENT DOCUMENTS

2015/0015977 A1* 1/2015 Karasawa G03B 11/00
359/892
2015/0153629 A1* 6/2015 Hao G03B 11/00
396/544
2016/0091778 A1* 3/2016 Kobayashi G03B 17/565
359/892
2016/0216474 A1* 7/2016 Kobayashi G02B 7/006

OTHER PUBLICATIONS

“Marumi Camera Filter.” Amazon.co.jp., undated (Retrieved from the Internet Jul. 26, 2016). Internet URL: <<https://www.amazon.co.jp/MARUMI-カメラ用フィルタ> カメラ用フィルタ カメラ用フィルタ カメラ用フィルタ 091114/dp/B00CCZ4FZM/ref=cm_cr_arp_d_product_top?ie=UTF8>.*

“RealPro Protector.” Kenko Global Site, undated (Retrieved from the Internet Jul. 26, 2016). Internet URL: <http://www.kenkoglobal.com/photo/filters/protector/realpro_protector.html>.*

* cited by examiner

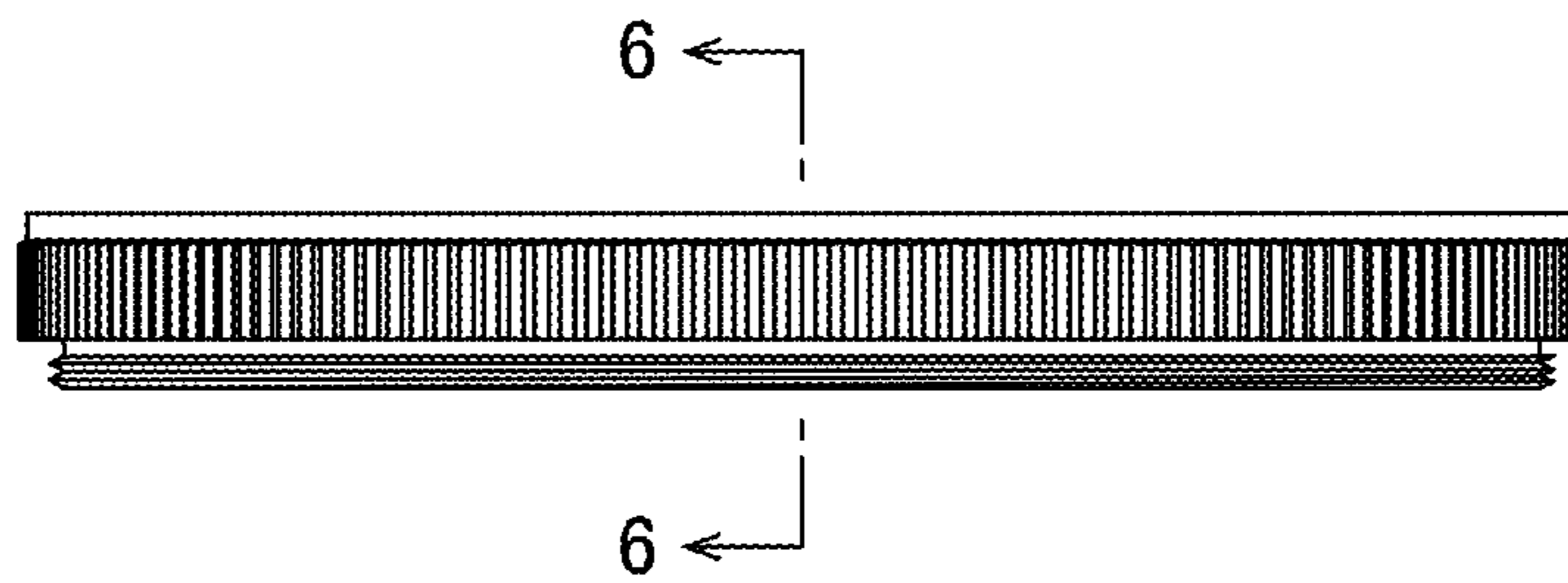


FIG. 1



FIG.2

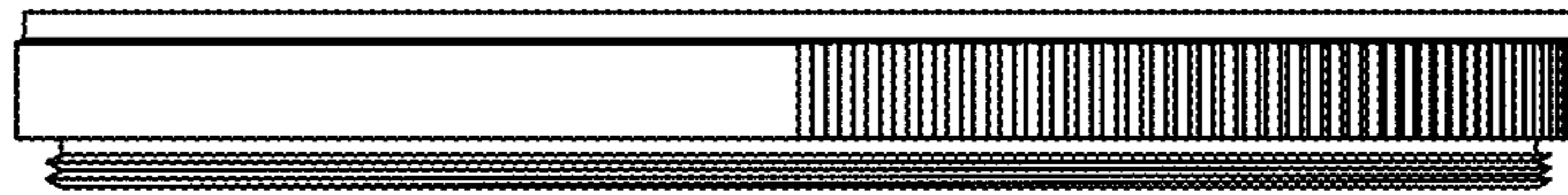


FIG.3

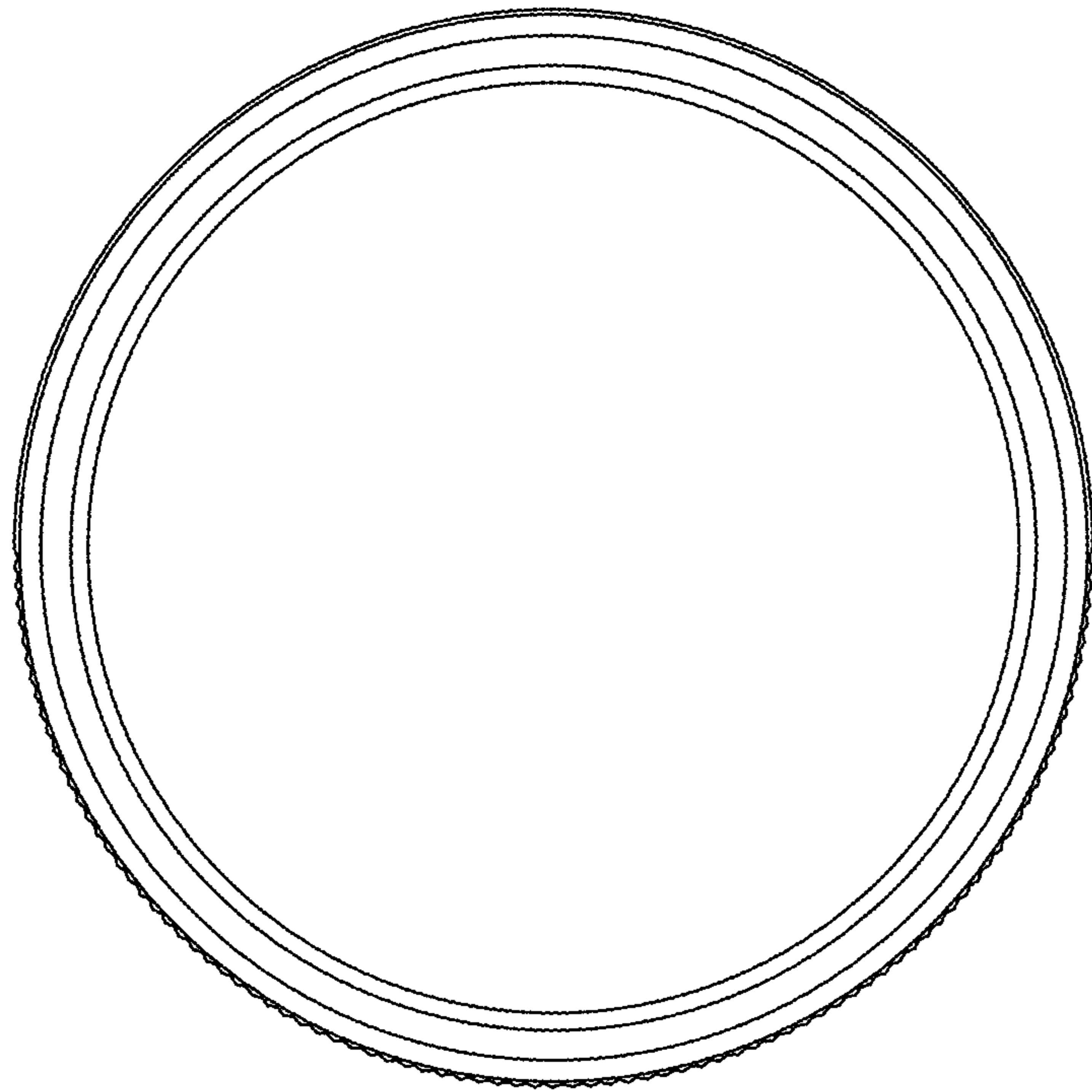


FIG.4

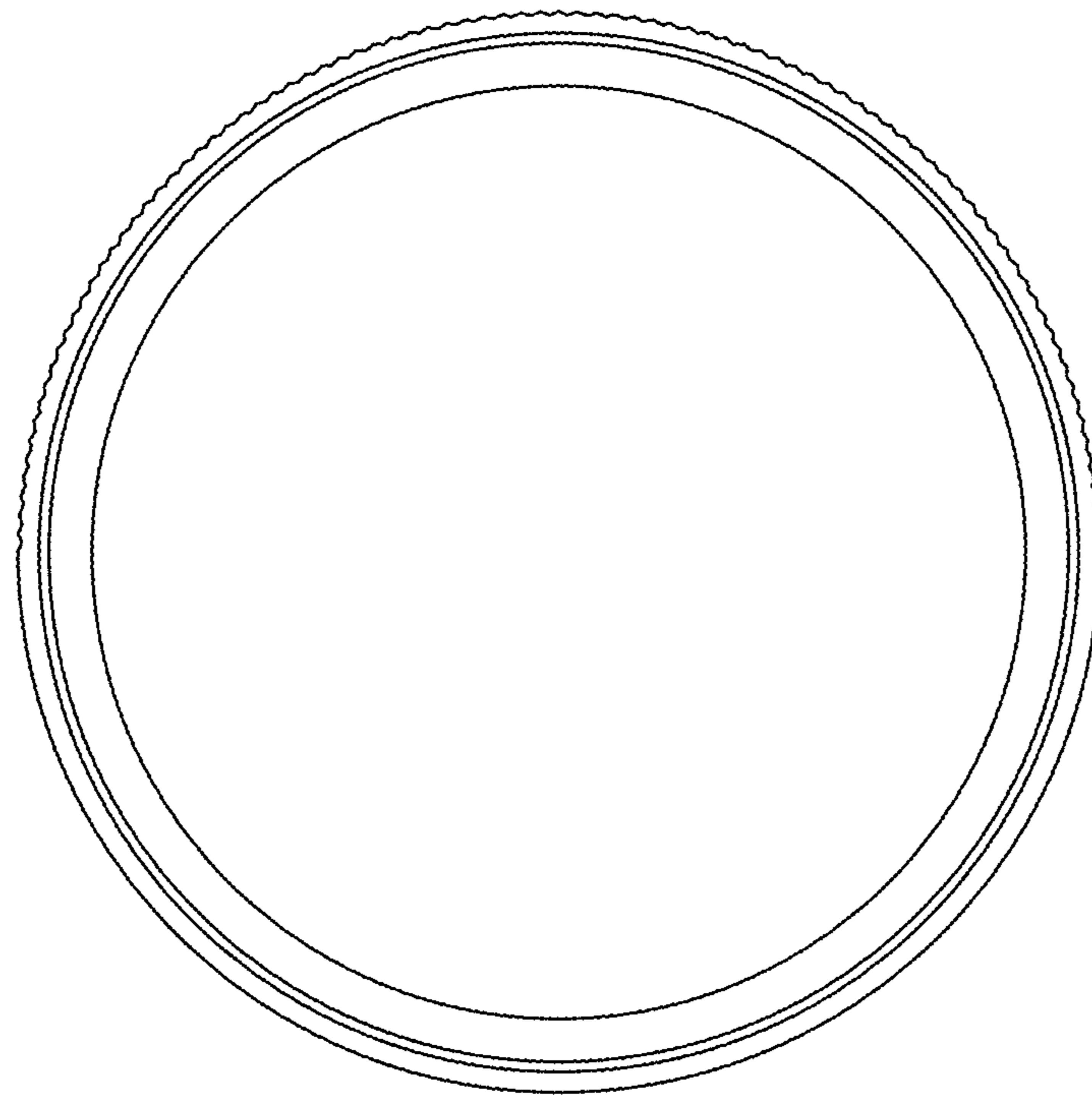


FIG.5

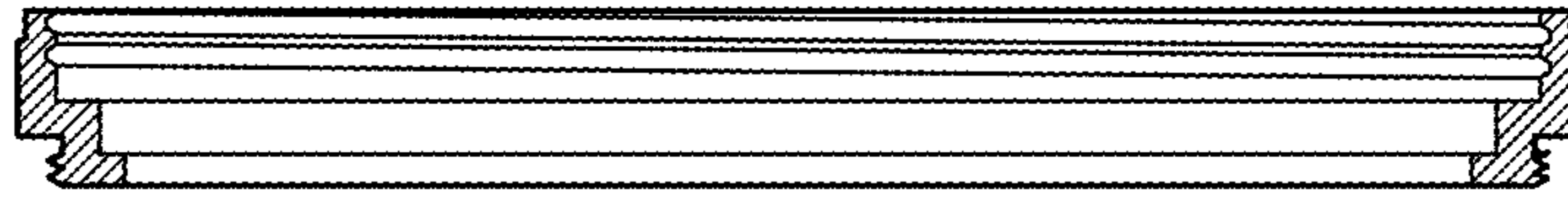


FIG.6