



US00D788201S

(12) **United States Design Patent** (10) **Patent No.:** **US D788,201 S**
Pilz et al. (45) **Date of Patent:** **** May 30, 2017**

(54) **BORESCOPE**

FOREIGN PATENT DOCUMENTS

(71) Applicant: **KARL STORZ GmbH & Co. KG**,
Tuttlingen (DE)

DE 19859155 A1 * 7/2000 A61B 1/055
DE 102010039731 A1 * 3/2012 A61B 1/00112

(72) Inventors: **Kevin Pilz**, Tuttlingen (DE); **Peter Eisenkolb**, Tuttlingen (DE);
Hermann-Josef Frings, Aachen (DE);
Gunter Moik, Aachen (DE)

OTHER PUBLICATIONS

Modular Rigid Borescope System with Swivel Lenses, posted on fiberscope.net, no posted date available, no production date posted, [online], [site visited Mar. 16, 2017], Available from Internet, <URL: <http://www.fiberscope.net/modular-rigid-borescope-system-with-swivel-lenses.html>>.*

(73) Assignee: **KARL STORZ GmbH & Co. KG**,
Tuttlingen (DE)

(Continued)

(**) Term: **15 Years**

Primary Examiner — Melanie H Tung
Assistant Examiner — Fritzgerald Butac

(21) Appl. No.: **29/568,715**

(74) *Attorney, Agent, or Firm* — Muncy, Geissler, Olds & Lowe, P.C.

(22) Filed: **Jun. 21, 2016**

(57) **CLAIM**

(30) **Foreign Application Priority Data**

The ornamental design for a borescope, as shown and described.

Dec. 22, 2015 (EM) 002920181-0002

DESCRIPTION

(51) **LOC (10) Cl.** **16-99**

(52) **U.S. Cl.**
USPC **D16/130; D10/46; D10/78; D24/138**

(58) **Field of Classification Search**
USPC D10/46, 46.2, 47, 50, 57, 72, 74, 76, 78,
D10/80, 100, 102, 103, 124, 125;
D16/130; D24/133, 137, 138
CPC G02B 23/2484; G02B 23/2492
See application file for complete search history.

FIG. 1 is a front perspective view of a borescope according to the present invention.

FIG. 2 is a front view of the borescope of FIG. 1 on an enlarged scale.

FIG. 3 is a rear view of the borescope of FIG. 1 on an enlarged scale.

FIG. 4 is a left side view of the borescope of FIG. 1.

FIG. 5 is a right side view of the borescope of FIG. 1.

FIG. 6 is a top view of the borescope of FIG. 1; and,

FIG. 7 is a bottom view of the borescope of FIG. 1.

The dash-dash broken line represent a symbolic break within the borescope. The appearance of any portion of the article between the symbolic break forms no part of the claimed design.

The broken line showing a part of the borescope is for the purpose of illustrating a portion of the borescope that forms no part of the claimed design.

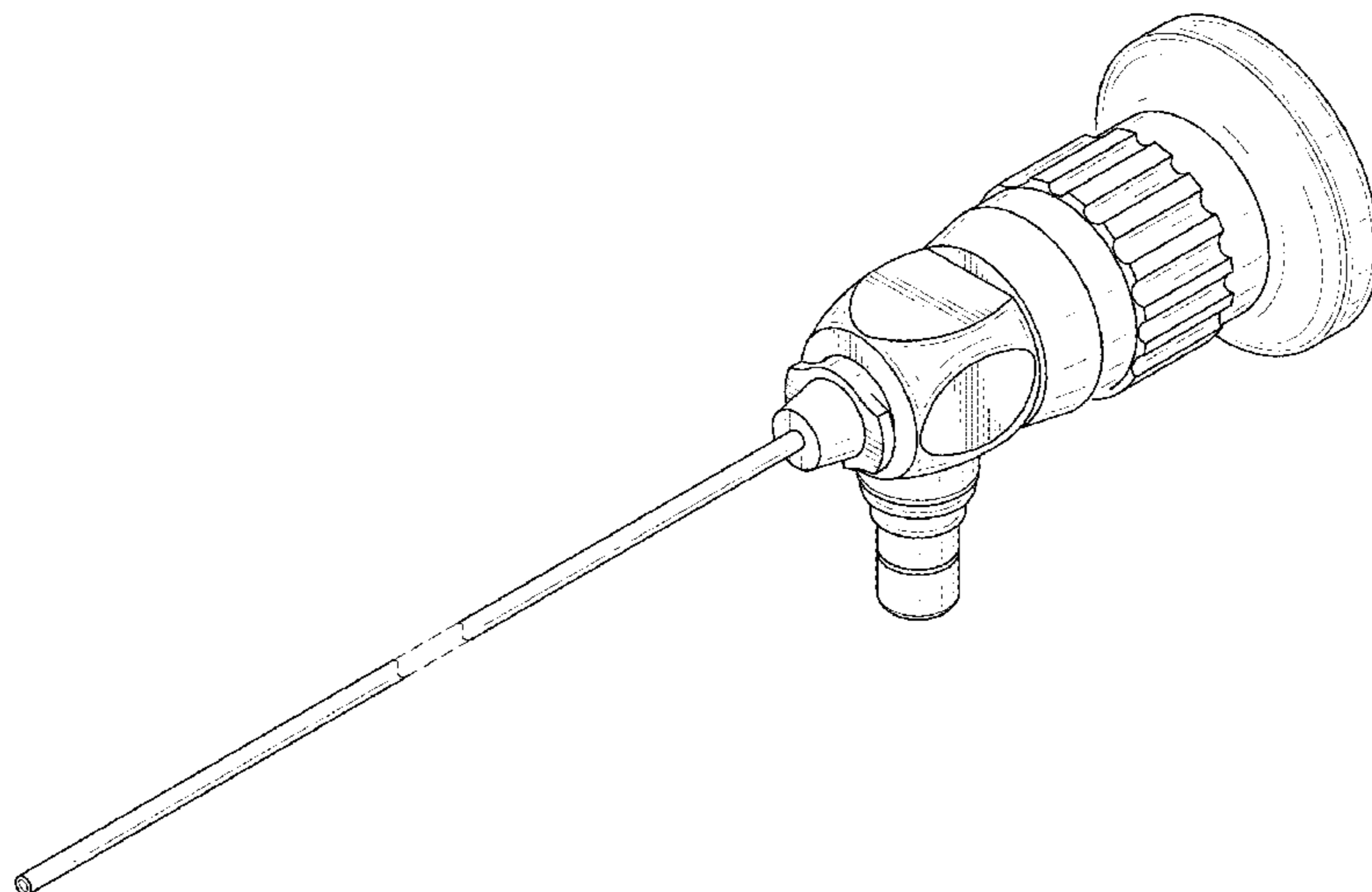
(56) **References Cited**

U.S. PATENT DOCUMENTS

D257,429 S * 10/1980 Manno D10/103
5,169,568 A * 12/1992 Ainger, III A61B 1/015
264/1.25
5,199,417 A * 4/1993 Muller A61B 1/07
600/128

(Continued)

1 Claim, 7 Drawing Sheets



(56)

References Cited

U.S. PATENT DOCUMENTS

5,801,762 A * 9/1998 Dianna G01B 11/02
348/357
D436,118 S * 1/2001 London D16/130
D474,841 S * 5/2003 Price D24/133
D598,099 S * 8/2009 Halbig D24/138
D598,547 S * 8/2009 Stefan D24/143
D603,046 S * 10/2009 Frey D24/133
D606,194 S * 12/2009 Frey D24/108
D611,599 S * 3/2010 Eisenkolb D24/138
D667,546 S * 9/2012 Becker D24/138
D670,383 S * 11/2012 Eisenkolb D24/137
D670,385 S * 11/2012 Becker D24/138
D716,942 S * 11/2014 Eisenkolb D24/138
D724,200 S * 3/2015 Brannon D24/112
D753,297 S * 4/2016 Berci D24/138
D753,745 S * 4/2016 Pilz D16/132
D755,375 S * 5/2016 Stammberger D24/135
9,510,733 B2 * 12/2016 Yen A61B 1/126
2007/0088201 A1 * 4/2007 Eisenkolb A61B 1/0011
600/182
2016/0114185 A1 * 4/2016 Mankin A61N 5/0624
607/92

OTHER PUBLICATIONS

55 Series Rigid Borescope, posted on titantoolsupply.com, posted Jun. 1, 2013, no production date given, [online], [site visited Mar. 16, 2017], available from Internet, <URL: <https://www.titantoolsupply.com/Borescope-55-Series>>.*
Borescope for Rifle Inspection, posted on fiberscope.net, no posted date given, no production date given, [online], [site visited Mar. 16, 2017], Available from Internet, <URL: <http://www.fiberscope.net/rifle-barrel-borescope-inspection-camera-probe>>.*
81390 B, Borescope, posted on epc.karlstorz.com, no posted date given, no production date given, [online], [site visited Mar. 16, 2017], Available from Internet, <URL: <http://epc.karlstorz.com/epc/Starter.jsp?locale=EN&practiceArea=IE&product=81390A&sid=SID-32A7CE40-7AEC214F>>.*

* cited by examiner

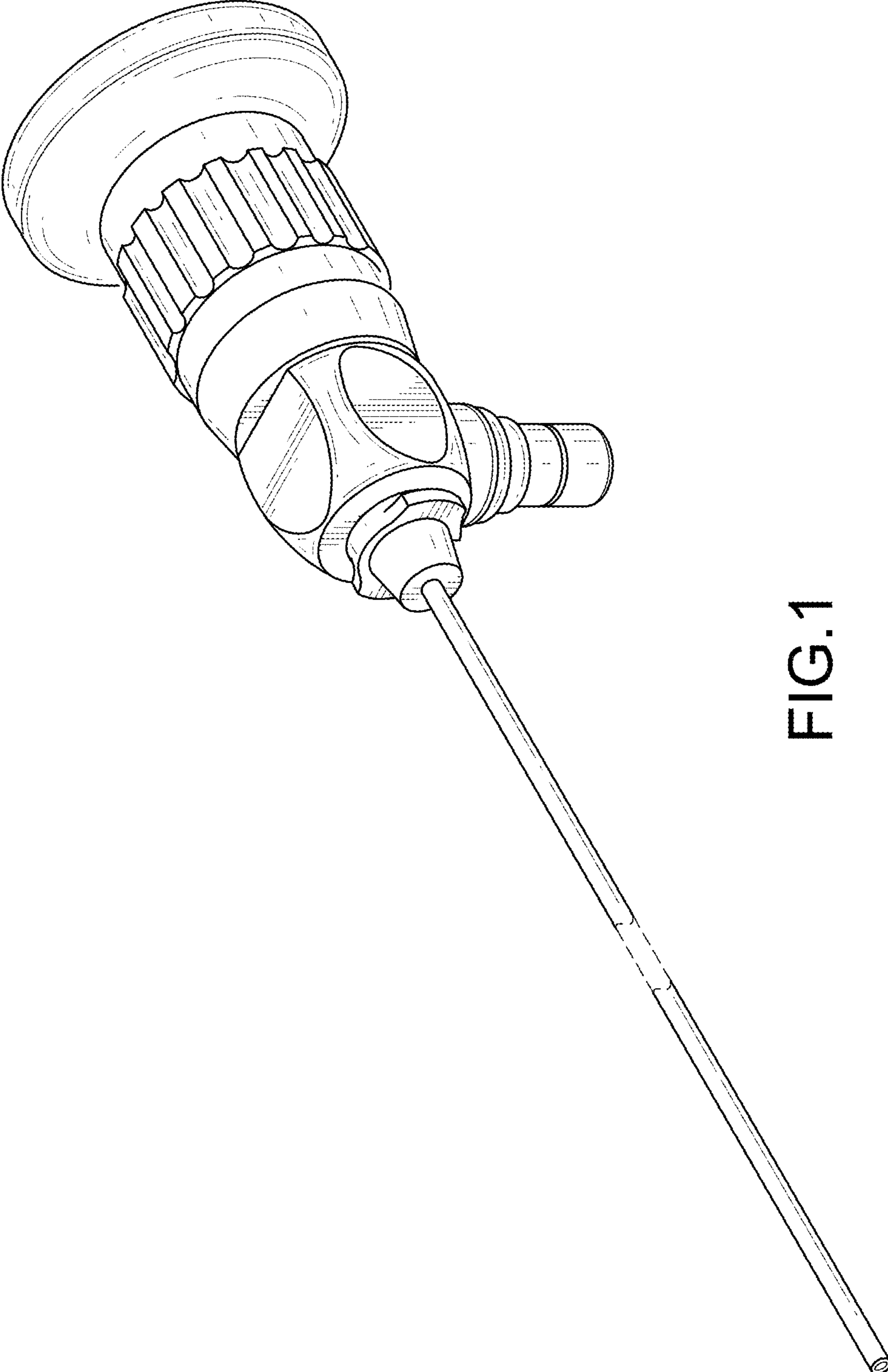


FIG.1

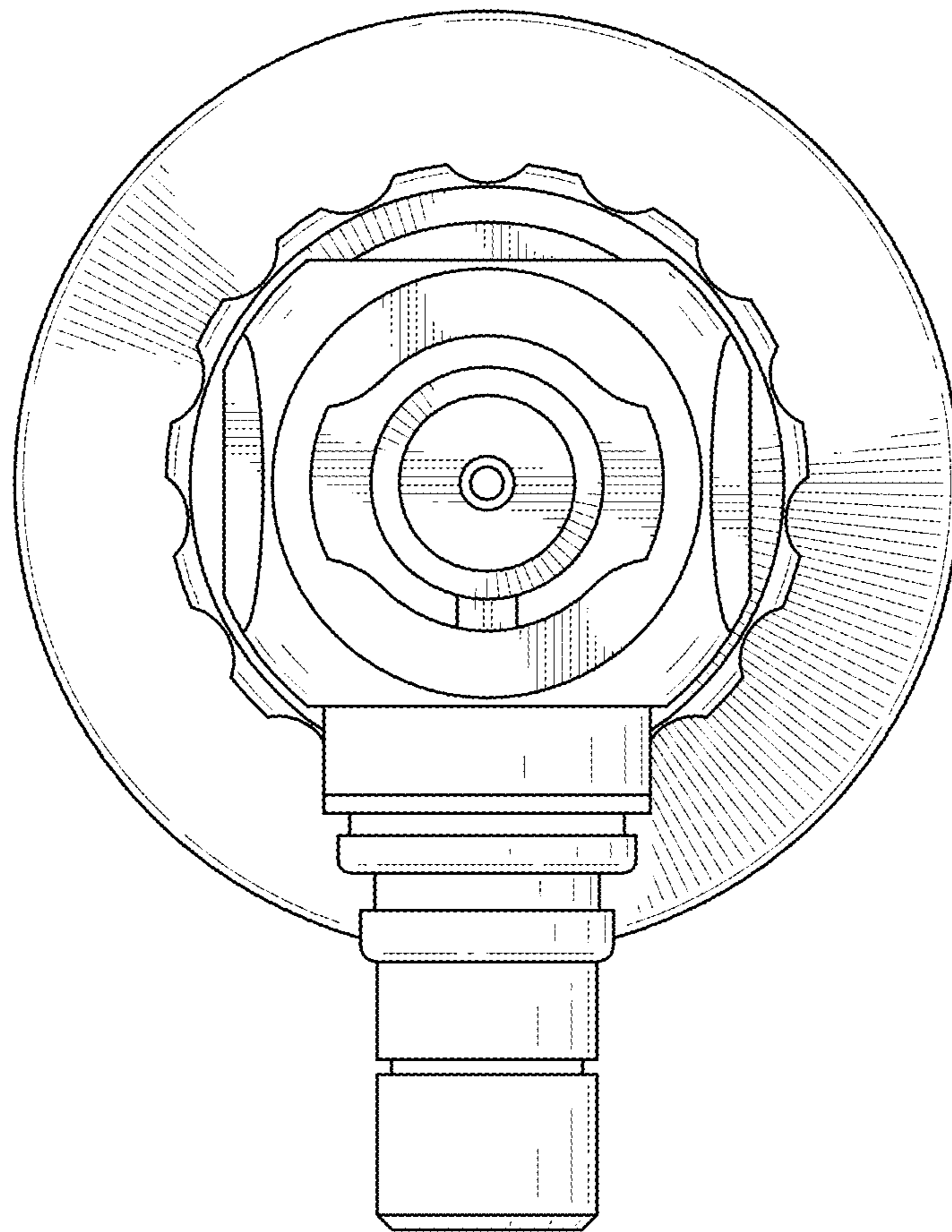


FIG.2

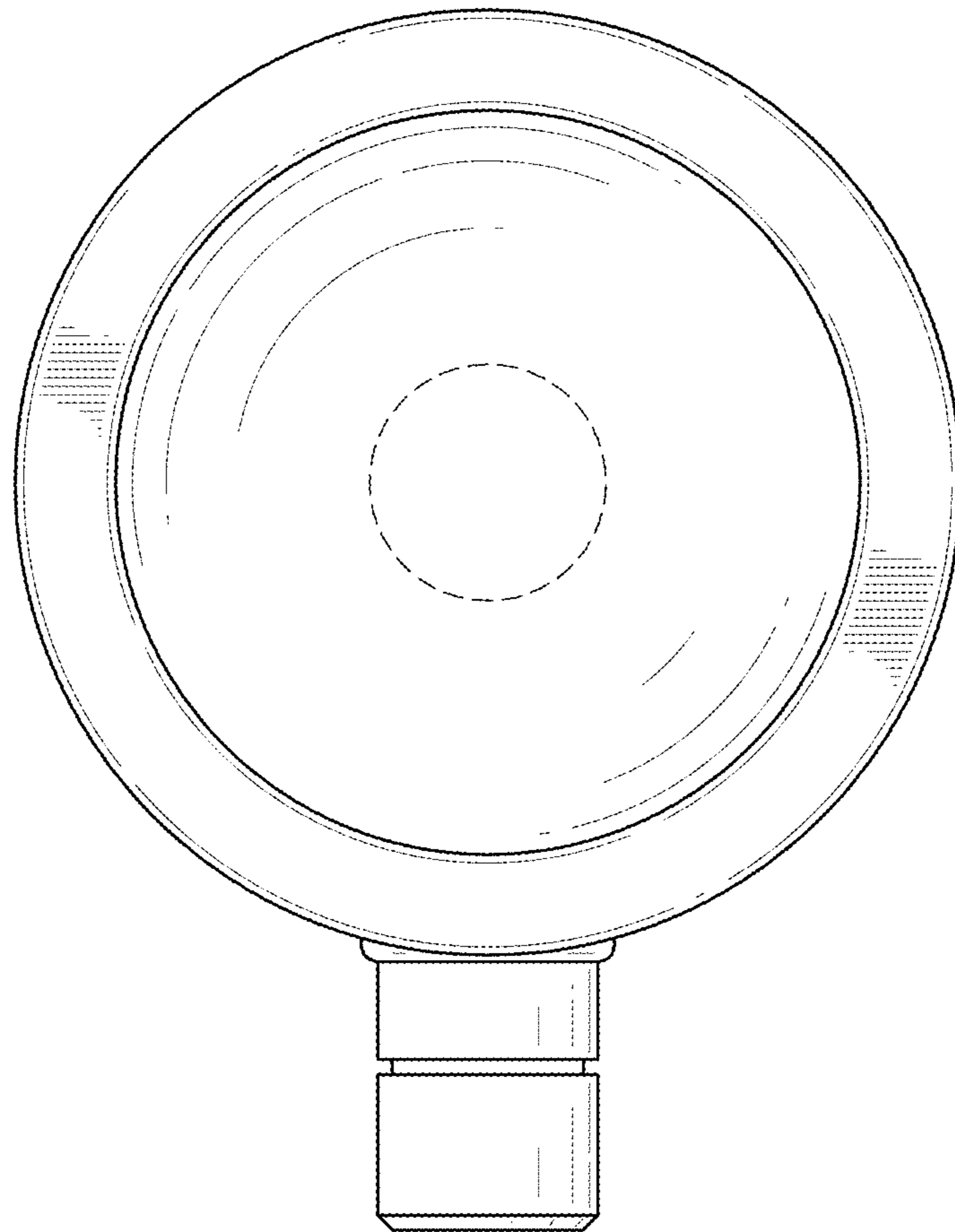


FIG.3

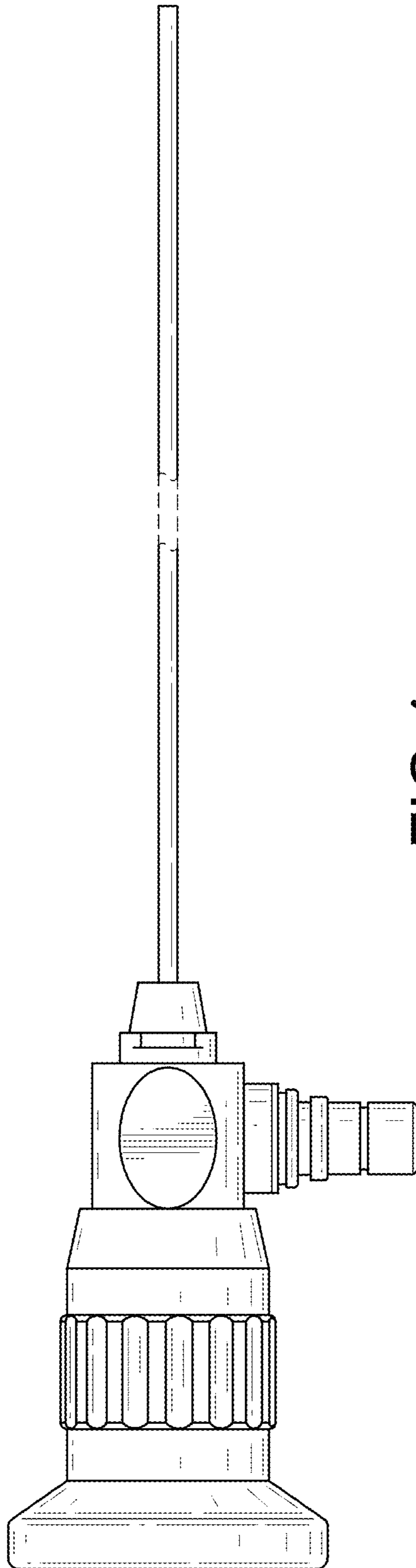


FIG.4

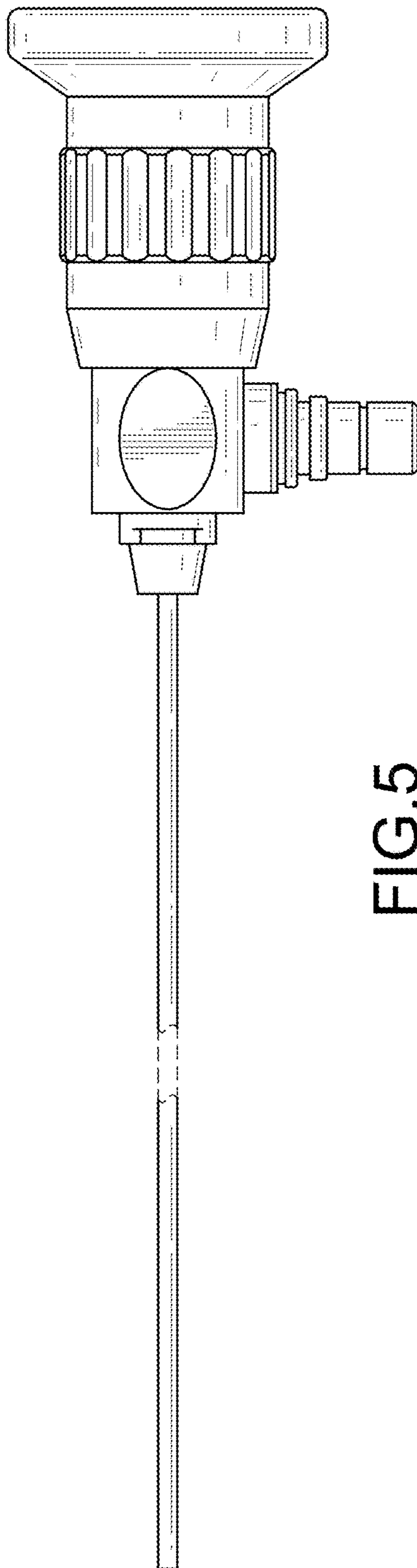


FIG. 5

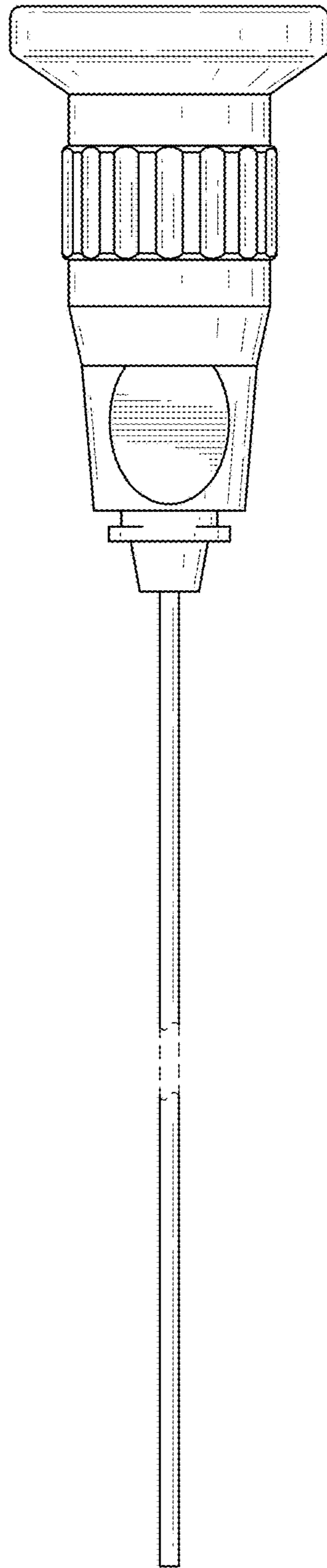


FIG.6

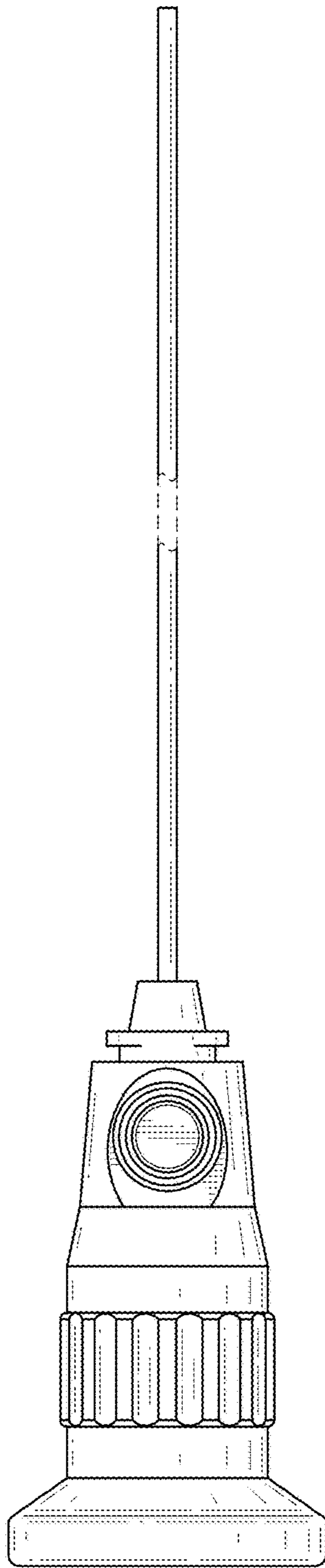


FIG.7