



US00D788199S

(12) **United States Design Patent**
Owens et al.

(10) **Patent No.:** **US D788,199 S**

(45) **Date of Patent:** **** May 30, 2017**

(54) **VACUUM SEALER**
(71) Applicant: **Sunbeam Products, Inc.**, Boca Raton, FL (US)
(72) Inventors: **David Owens**, Boynton Beach, FL (US); **Adam Day**, Boynton Beach, FL (US); **Jason Harris**, Boca Raton, FL (US); **Justin Cumming**, Arlington, MA (US); **YC Wong**, Wong Chuk Hang (HK); **Kenneth Young**, San Francisco, CA (US)

(73) Assignee: **Sunbeam Products, Inc.**, Boca Raton, FL (US)

(**) Term: **15 Years**

(21) Appl. No.: **29/548,633**

(22) Filed: **Dec. 15, 2015**

(51) **LOC (10) Cl.** **15-99**

(52) **U.S. Cl.**
USPC **D15/146**

(58) **Field of Classification Search**
USPC D7/609; D15/145, 146; D18/50; 53/79, 53/434, 510, 512
See application file for complete search history.

(56) **References Cited**

U.S. PATENT DOCUMENTS

- D244,759 S * 6/1977 Kindred D15/146
- 4,561,925 A * 12/1985 Skerjanec B29C 66/861
156/379.6
- D298,758 S * 11/1988 Makihara D15/146
- 5,048,269 A * 9/1991 Deni B29C 66/861
53/374.9
- D358,827 S * 5/1995 Fung D15/146
- 5,655,357 A * 8/1997 Kristen B65B 31/046
53/512

- 5,893,822 A * 4/1999 Deni B65B 31/046
493/256
- 5,964,255 A * 10/1999 Schmidt B65B 31/047
141/65
- D442,198 S * 5/2001 Yamashita D15/145
- D459,751 S * 7/2002 Hsiao D15/146
- 6,694,710 B2 * 2/2004 Wang B65B 51/148
53/427
- D501,859 S * 2/2005 Presta D15/146
- D506,214 S * 6/2005 Zepter D15/146
- D510,369 S * 10/2005 Presta D15/146
- D515,601 S * 2/2006 Sholzberg D15/146
- 7,003,928 B2 * 2/2006 Patterson B65B 31/06
53/405
- 7,076,929 B2 * 7/2006 Patterson B65B 31/06
53/405
- 7,124,557 B2 * 10/2006 Small B65B 31/046
292/163
- 7,204,067 B2 * 4/2007 Baptista B65B 51/146
53/405
- D573,619 S * 7/2008 Pearl D15/145

(Continued)

Primary Examiner — Patricia Palasik

(74) *Attorney, Agent, or Firm* — Michael J. Corrigan

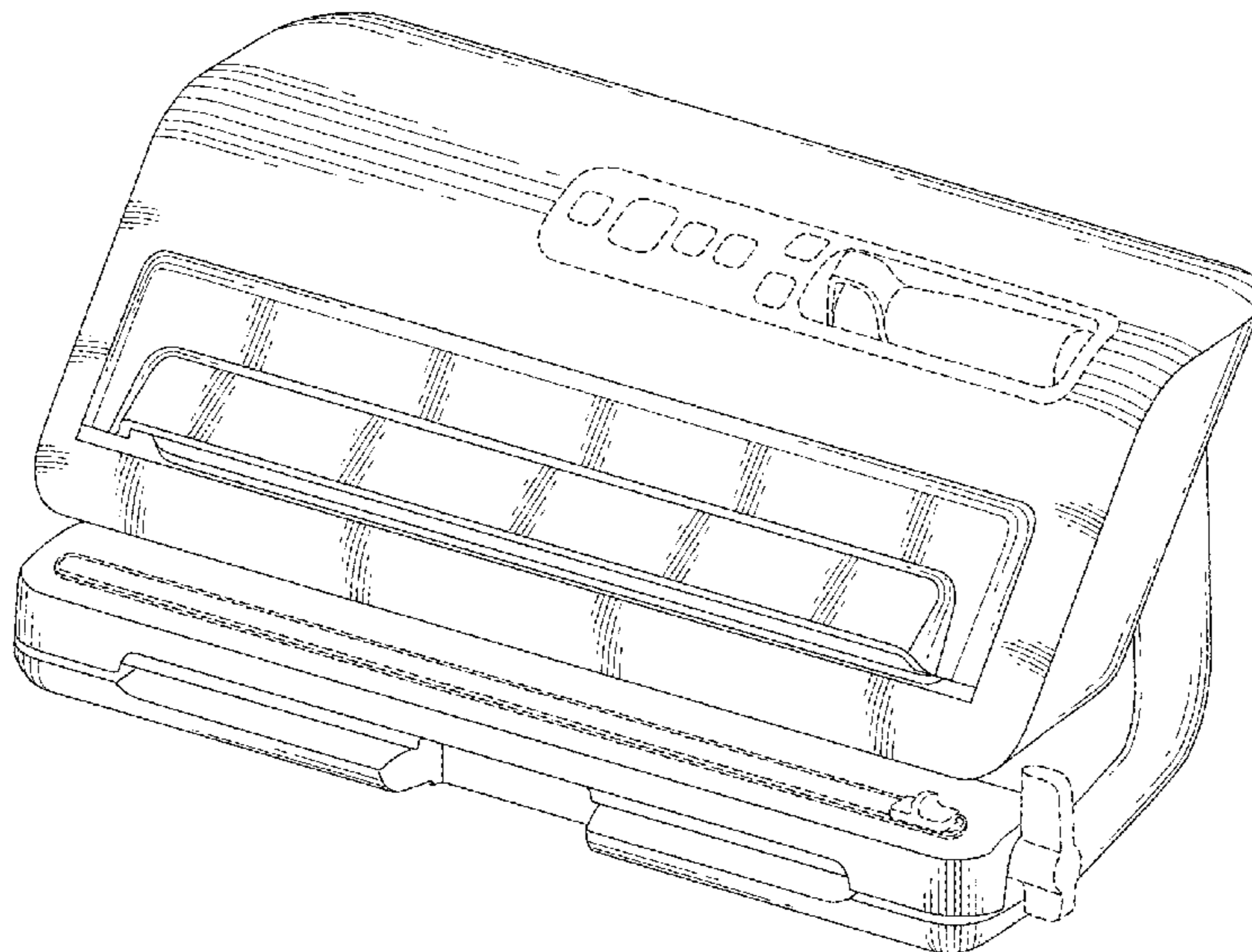
(57) **CLAIM**

The ornamental design for a vacuum sealer, as shown and described.

DESCRIPTION

FIG. 1 is a front perspective view of the vacuum sealer; FIG. 2 is a front view thereof; FIG. 3 is a rear view thereof; FIG. 4 is left side view thereof; FIG. 5 is a right side view thereof; and, FIG. 6 is a top view thereof. The broken lines in the drawings depict unclaimed environmental subject matter.

1 Claim, 3 Drawing Sheets



(56)

References Cited

U.S. PATENT DOCUMENTS

7,392,641	B2 *	7/2008	Abate	B65B 31/046 53/374.9
D593,586	S *	6/2009	Hashimoto	D15/146
D608,803	S *	1/2010	Hageman	D15/146
D609,237	S *	2/2010	Romanoff	D14/422
D624,573	S *	9/2010	Hall	D15/146
D624,574	S *	9/2010	Hall	D15/146
D633,118	S *	2/2011	Beatty	D15/146
D640,299	S *	6/2011	Day	D15/146
D663,331	S *	7/2012	Day	D15/146
D682,328	S *	5/2013	Day	D15/146
D682,329	S *	5/2013	Day	D15/146
D694,792	S *	12/2013	Day	D15/146
D694,793	S *	12/2013	Cumming	D15/146
D694,794	S *	12/2013	Cumming	D15/146
D706,846	S *	6/2014	Rim	D15/145
D721,394	S *	1/2015	Rim	D15/146
9,422,073	B2 *	8/2016	Picozza	B65B 31/04
2004/0065051	A1 *	4/2004	Patterson	B65B 31/06 53/432

* cited by examiner

FIG. 1

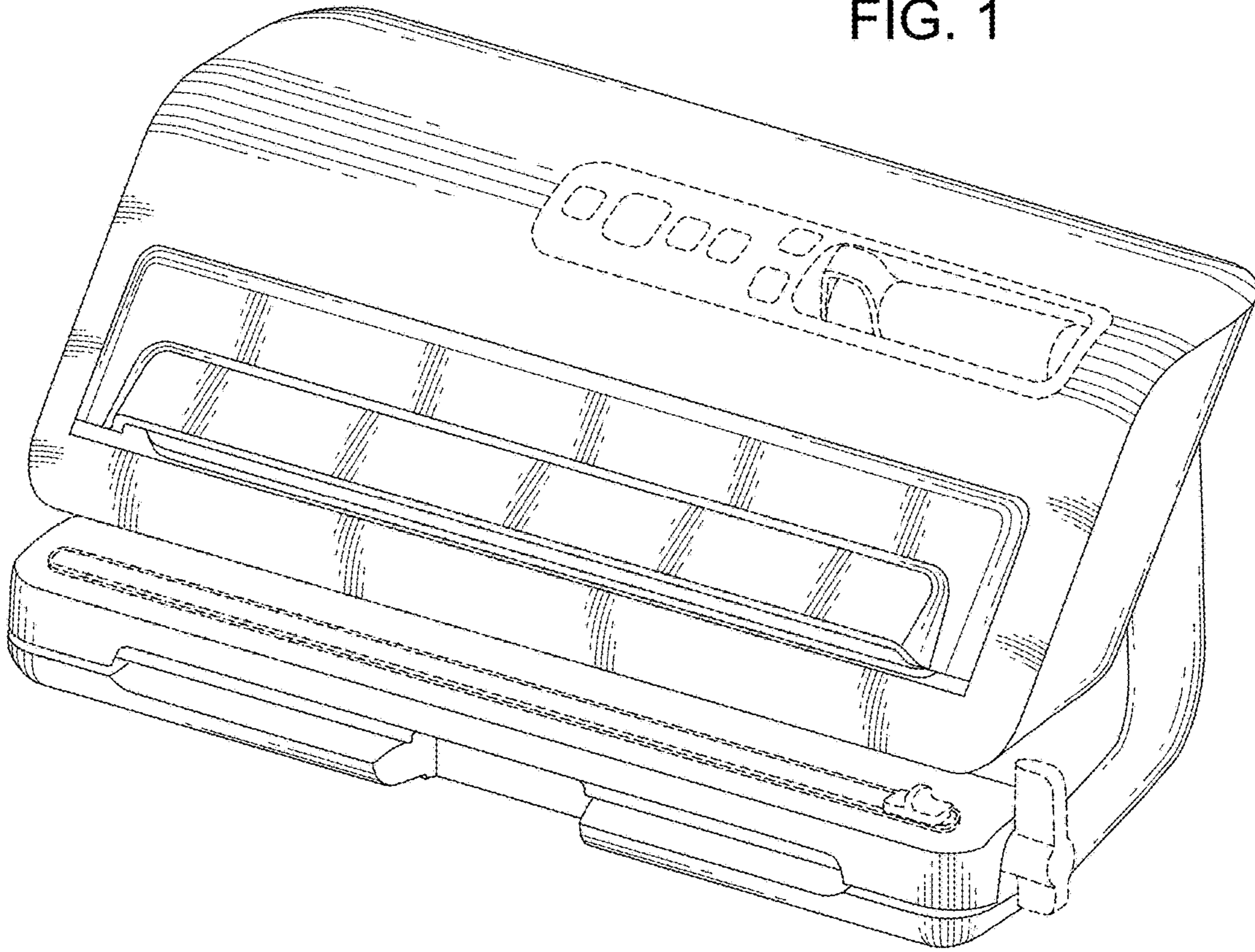


FIG. 2

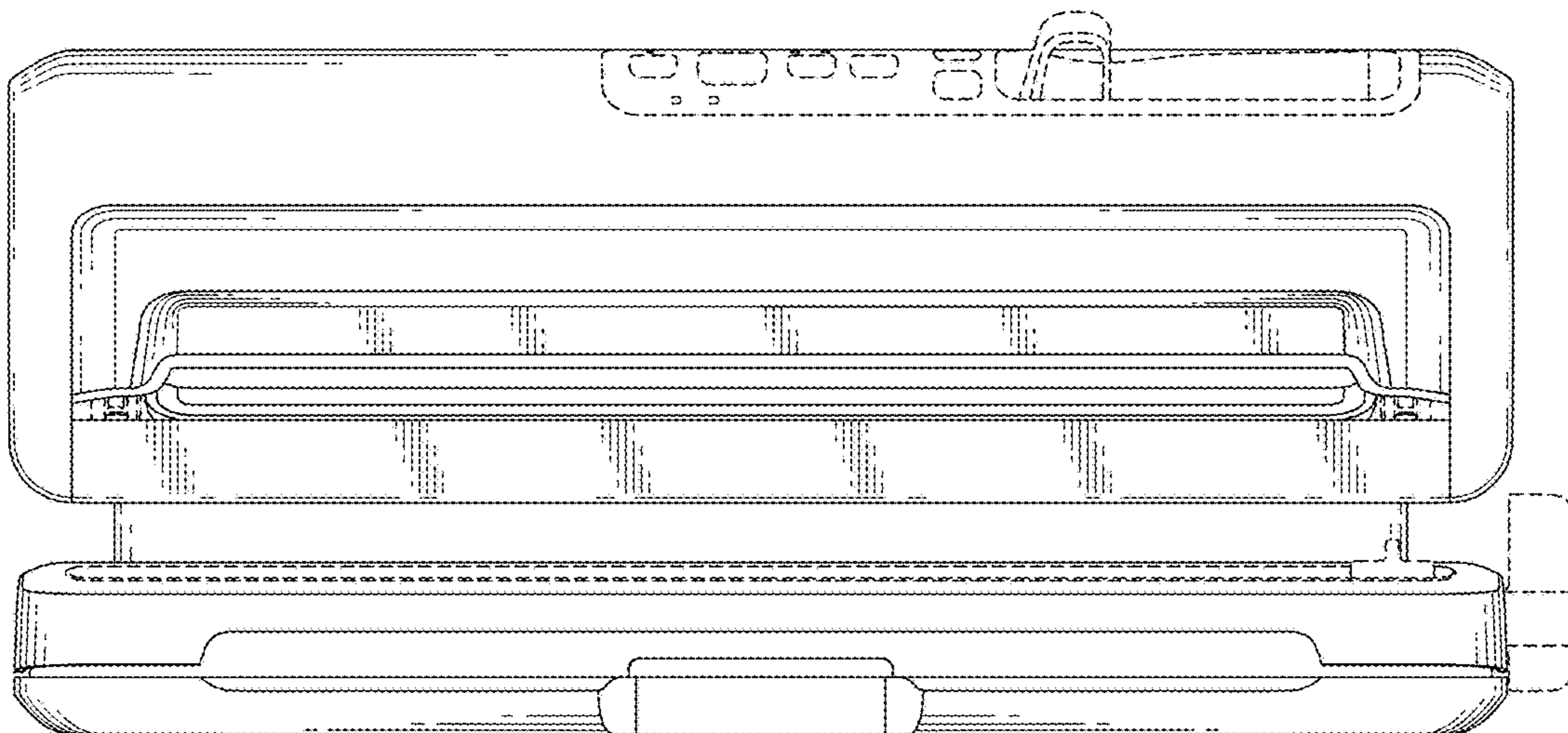


FIG. 3

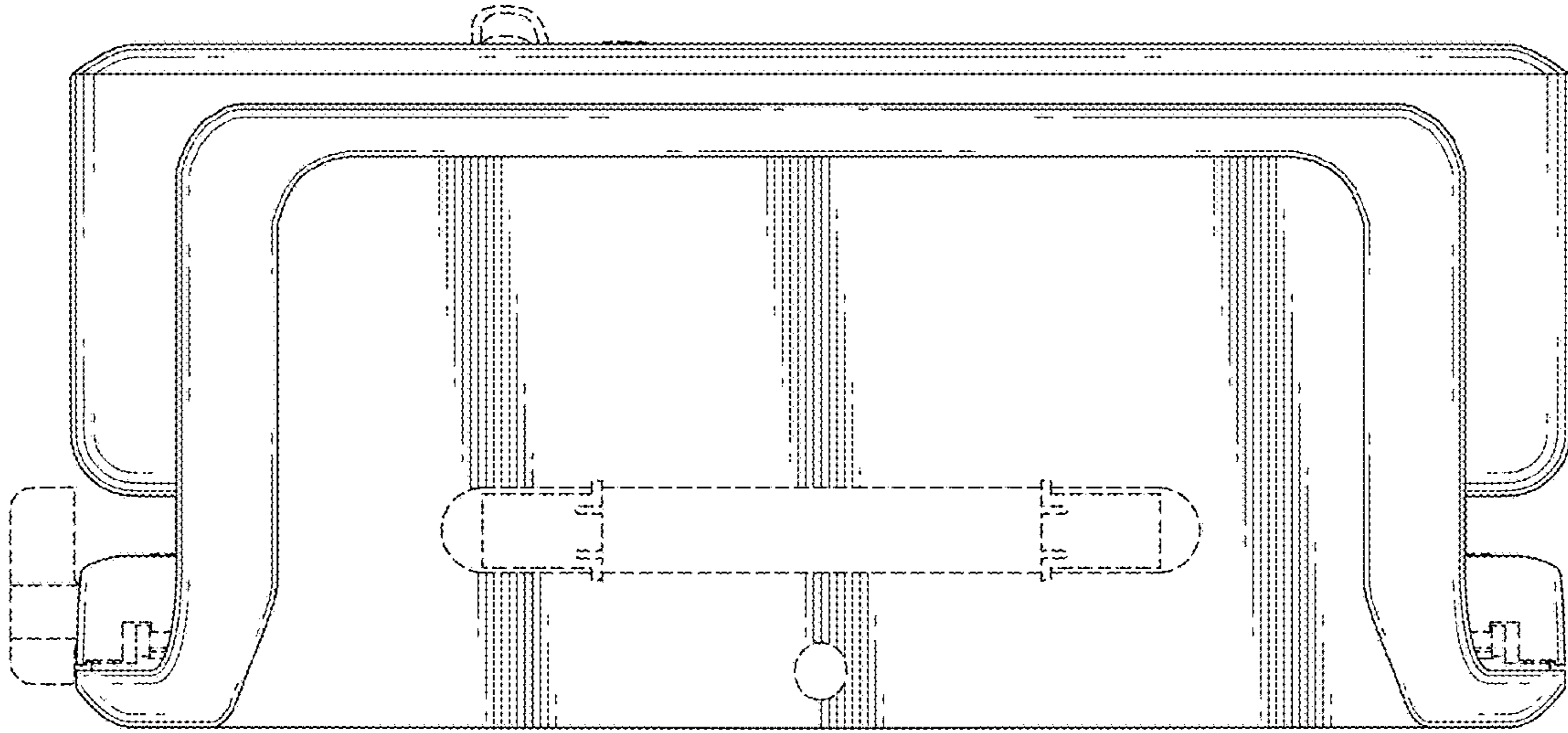


FIG. 4

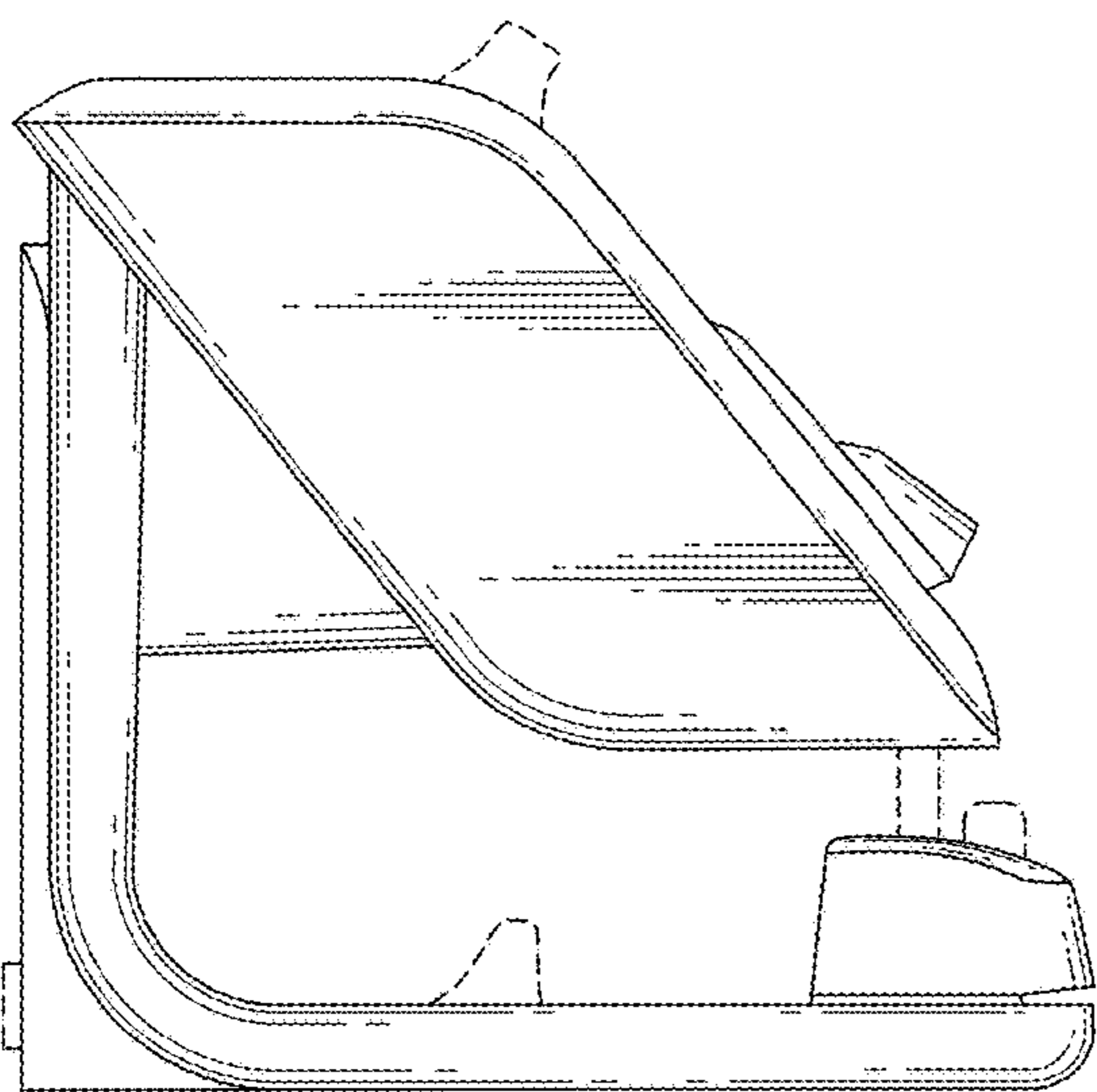


FIG. 5

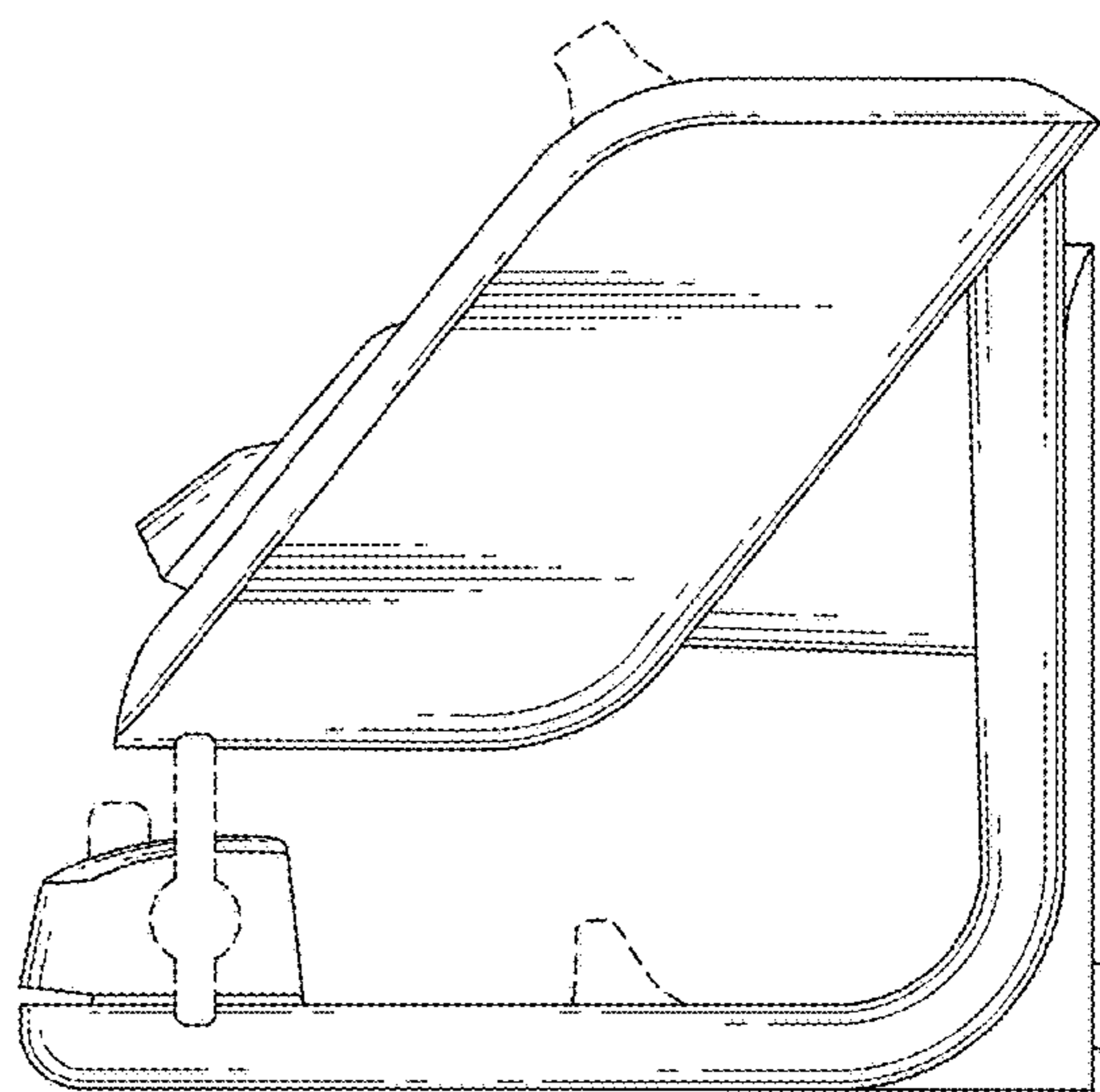


FIG. 6

