



US00D788197S

(12) **United States Design Patent** (10) **Patent No.:** **US D788,197 S**
Ford (45) **Date of Patent:** **** May 30, 2017**

(54) **CYCLONIC STRAINER WITH HELICAL BRUSH COMBINATION**

9,061,226 B2 * 6/2015 Love B01D 33/073
2010/0294731 A1 * 11/2010 Ford E21B 43/127
210/768

(71) Applicant: **Michael Brent Ford**, St. George, UT (US)

* cited by examiner

(72) Inventor: **Michael Brent Ford**, St. George, UT (US)

Primary Examiner — Patricia Palasik
(74) *Attorney, Agent, or Firm* — Weiss & Moy, P.C.;
Veronica-Adele R. Cao

(**) Term: **15 Years**

(57) **CLAIM**

The ornamental design for a cyclonic strainer with helical brush combination, as shown and described.

(21) Appl. No.: **29/587,382**

DESCRIPTION

(22) Filed: **Dec. 13, 2016**

(51) **LOC (10) Cl.** **15-09**

(52) **U.S. Cl.**
USPC **D15/138**

(58) **Field of Classification Search**
USPC D15/21, 28, 138, 139
CPC E21B 43/38; E21B 43/127; F04B 47/00
See application file for complete search history.

This application is related to U.S. application Ser. No. 12/874,876 filed on Sep. 2, 2010, which was filed in the name of the Applicant herein and issued into U.S. Pat. No. 8,978,753 on Mar. 17, 2015.

FIG. 1 is a perspective view of a cyclonic strainer with helical brush combination.

FIG. 2 is a front view of the cyclonic strainer with helical brush combination of FIG. 1;

FIG. 3 is a rear view of the cyclonic strainer with helical brush combination of FIG. 1;

FIG. 4 is a left side view of the cyclonic strainer with helical brush combination of FIG. 1;

FIG. 5 is right side view of the cyclonic strainer with helical brush combination of FIG. 1;

FIG. 6 is a top view of the cyclonic strainer with helical brush combination of FIG. 1;

FIG. 7 a bottom view of the cyclonic strainer with helical brush combination of FIG. 1; and

FIG. 8 is a side view of the cyclonic strainer with helical brush combination shown coupled to a southern end of a pumping apparatus; and,

FIG. 9 is an enlarged detailed view of the cyclonic strainer with helical brush combination as shown in circle 9 in FIG. 8.

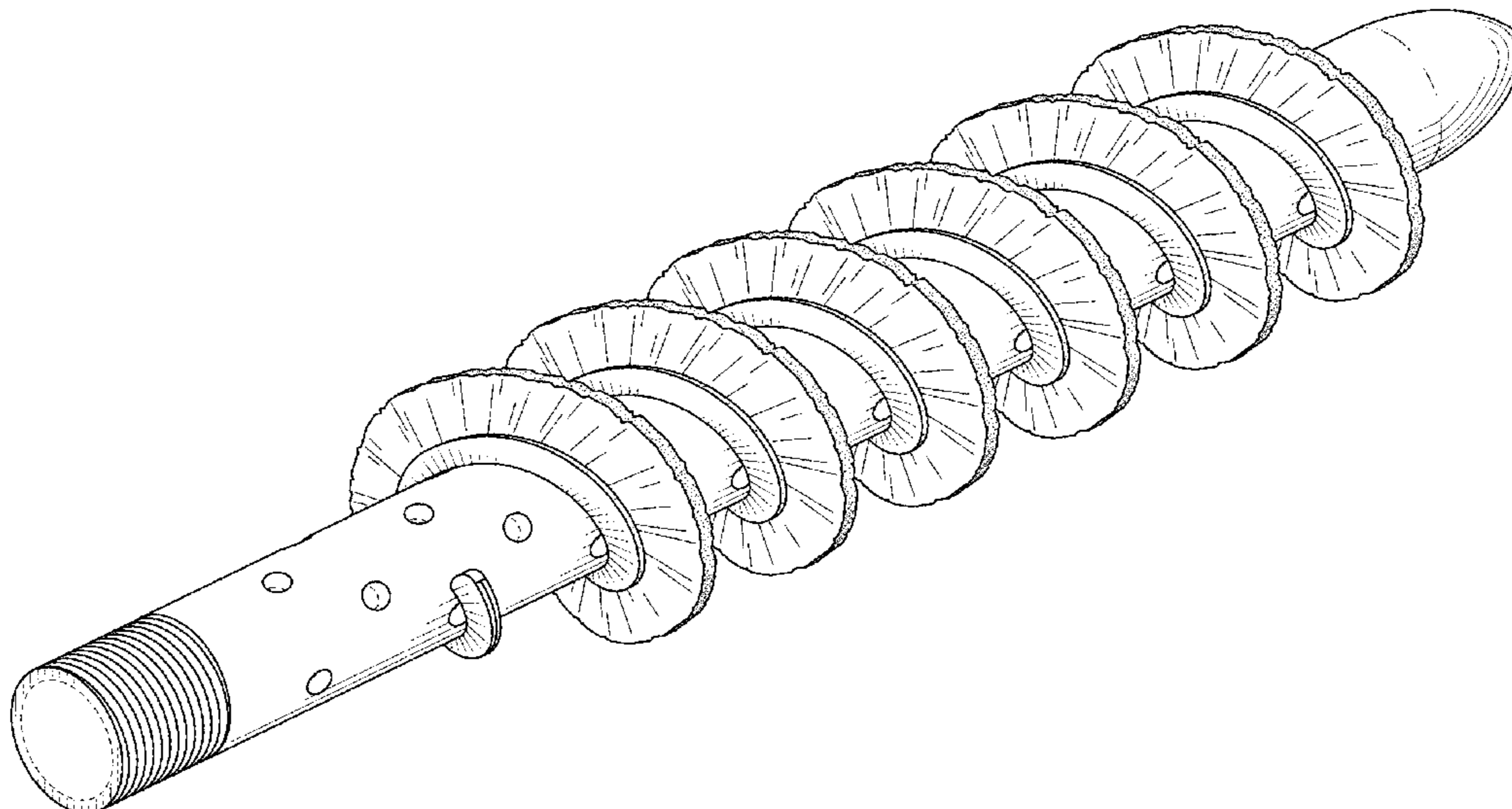
The broken lines in the drawings depict unclaimed environmental subject matter.

(56) **References Cited**

U.S. PATENT DOCUMENTS

33,736 A *	11/1861	Elliot	E21B 43/38
				111/81
1,439,159 A *	12/1922	Frost	A46B 7/04
				15/182
6,170,580 B1 *	1/2001	Reddoch	B01D 29/23
				175/206
6,322,616 B1 *	11/2001	Kennedy	B01D 19/0057
				166/105.5
7,347,933 B2 *	3/2008	Berry, III	B01D 33/073
				210/107
7,713,035 B2 *	5/2010	Ford	F04B 53/20
				417/430
7,909,092 B2 *	3/2011	Cobb	B04C 5/081
				166/105.1
8,978,753 B2	3/2015	Ford		

1 Claim, 5 Drawing Sheets



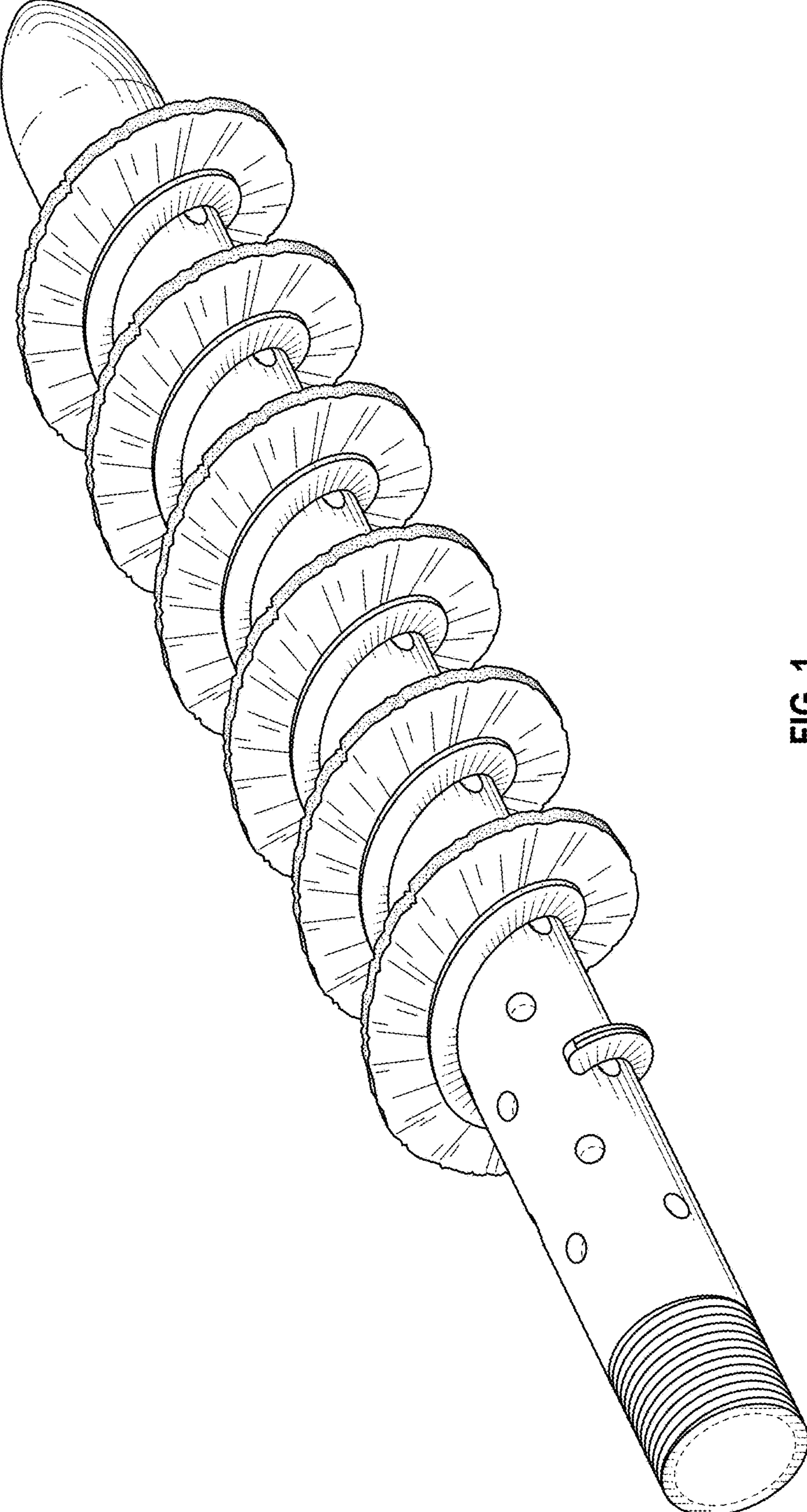


FIG. 1

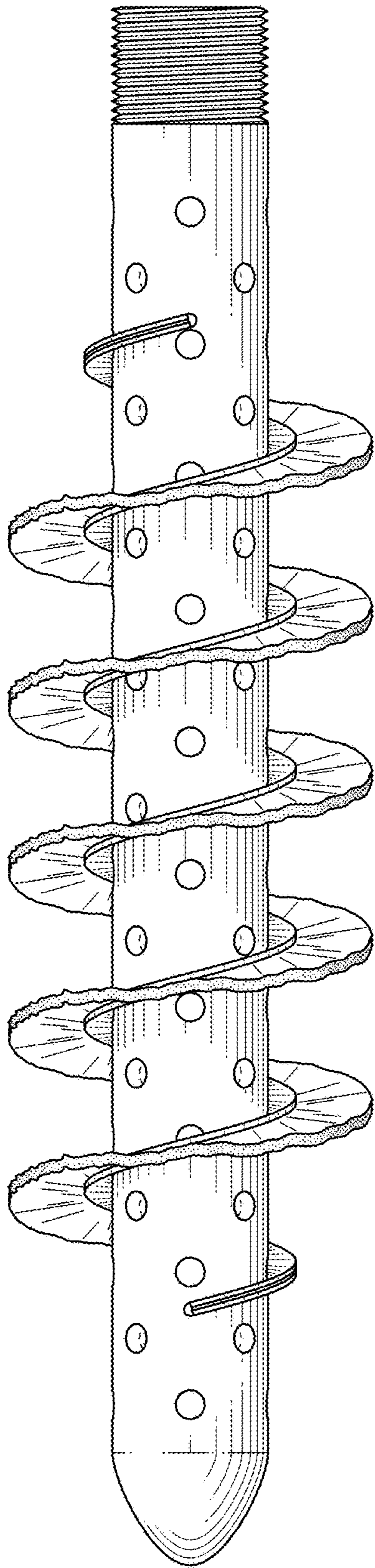


FIG. 2

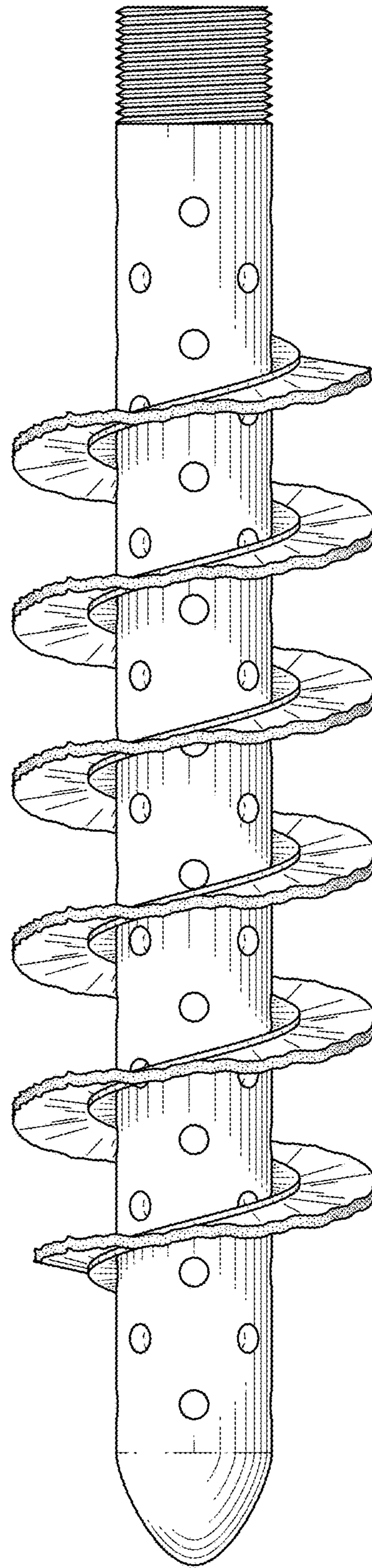


FIG. 3

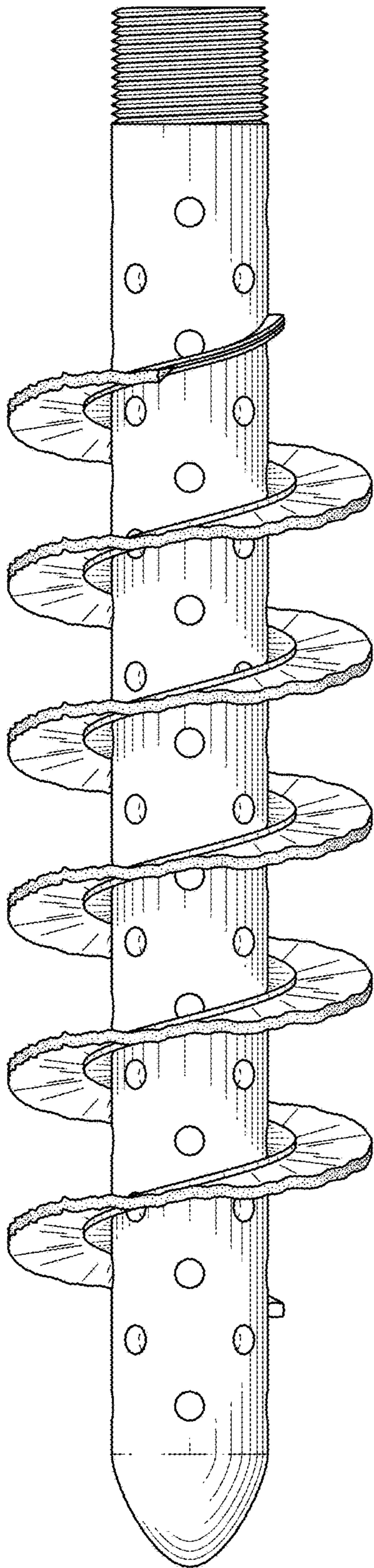


FIG. 4

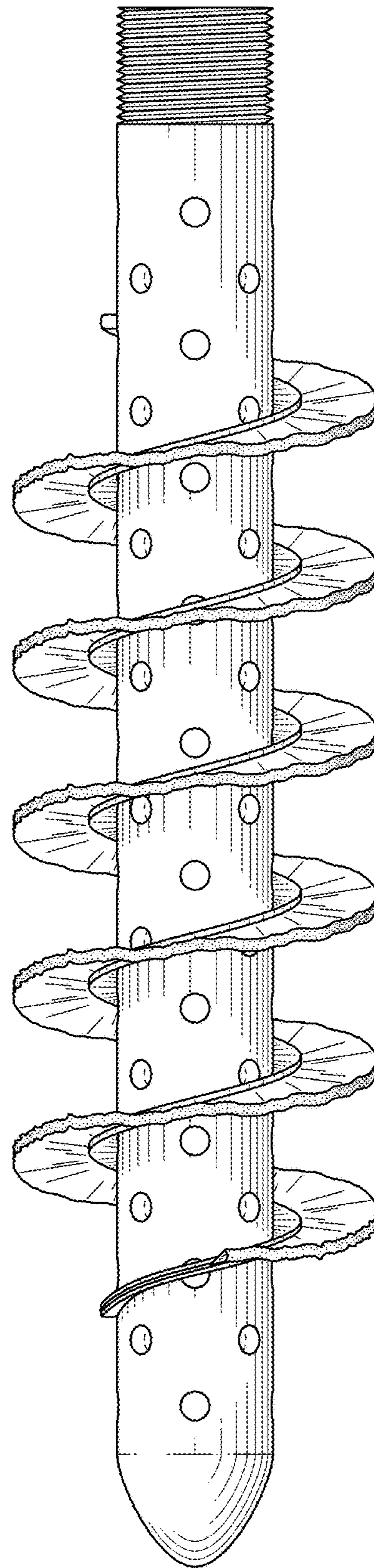


FIG. 5

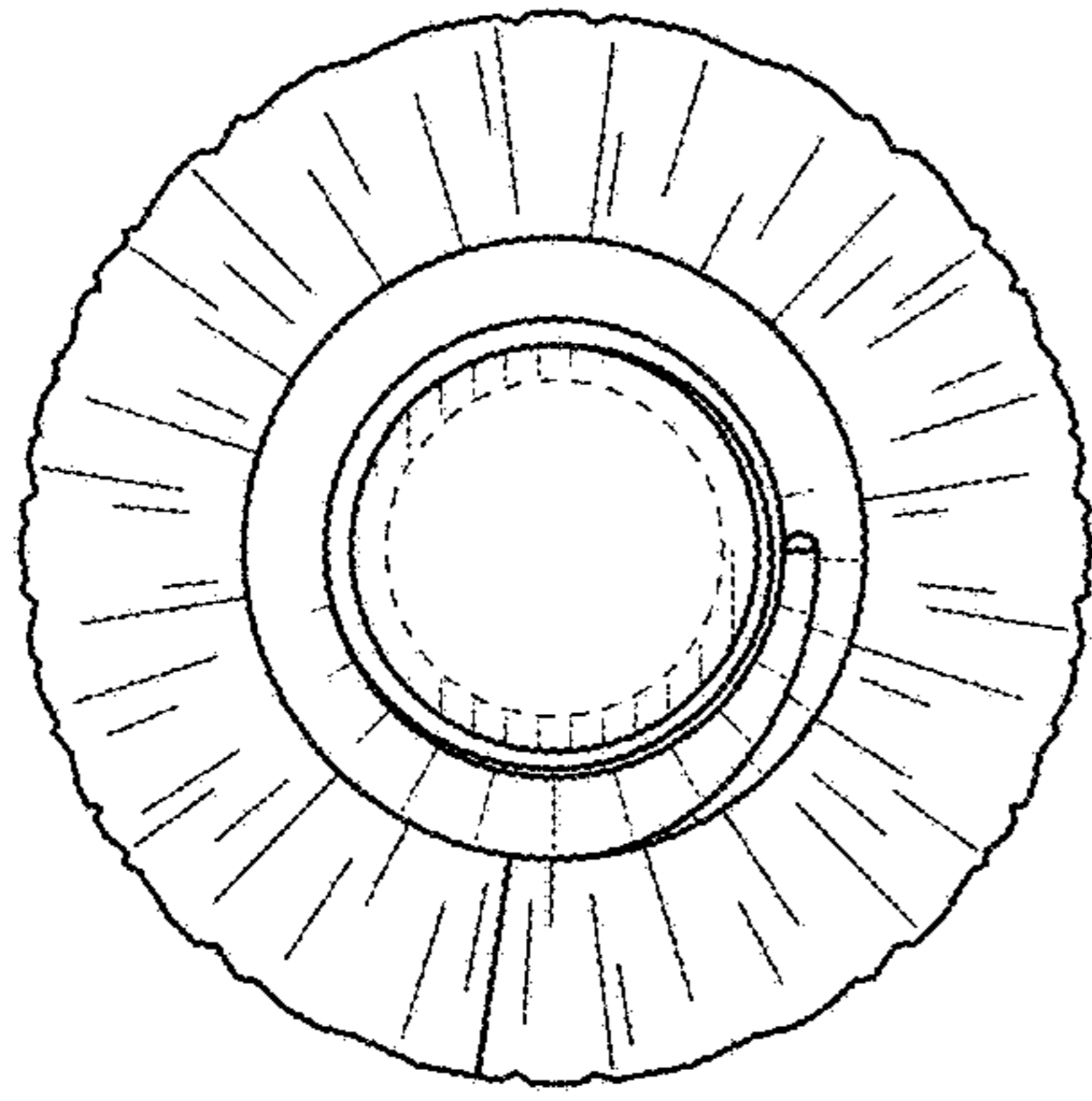


FIG. 6

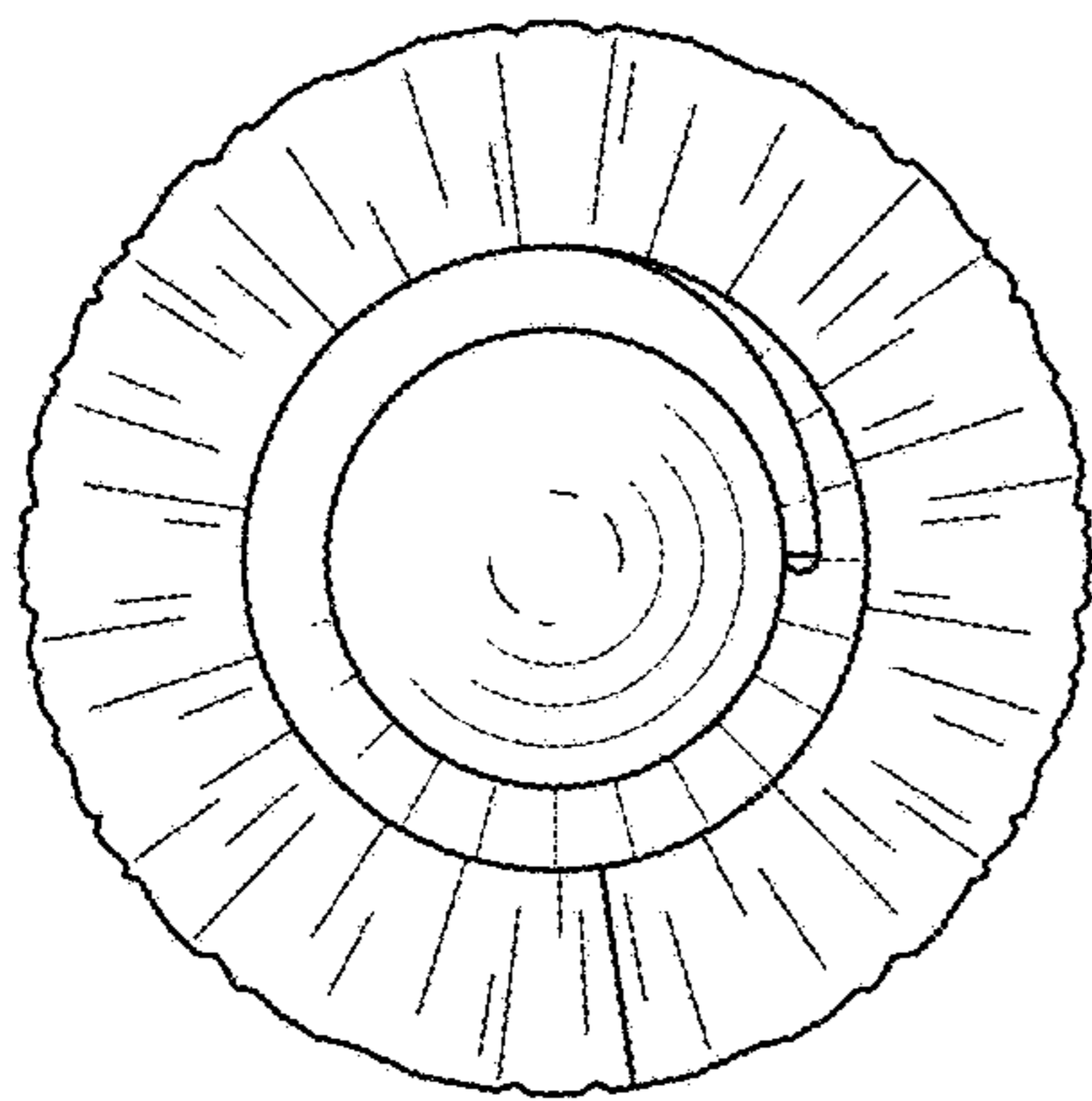


FIG. 7

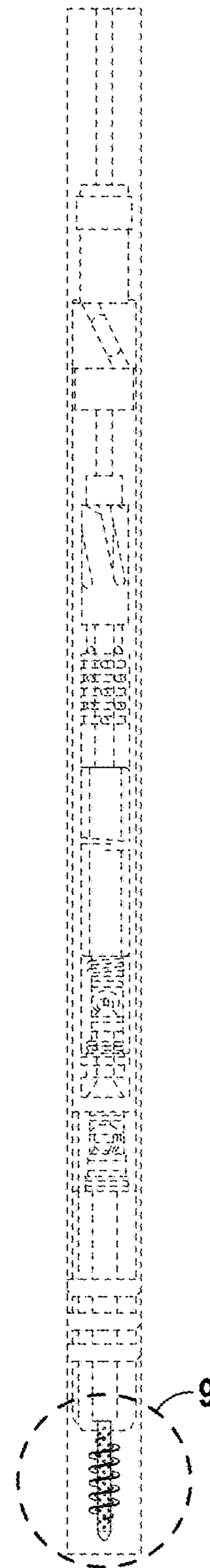


FIG. 8

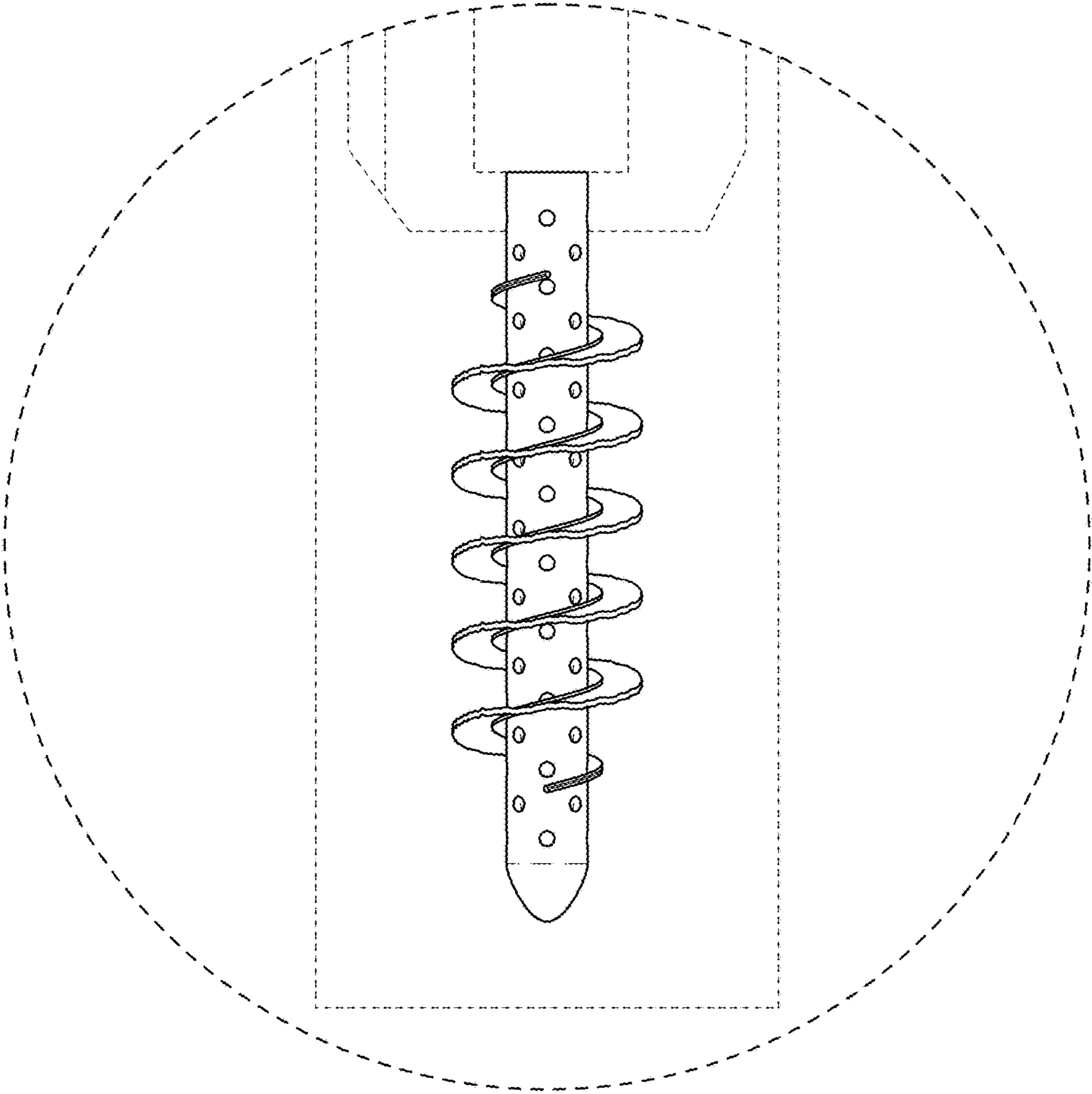


FIG. 9