



US00D788193S

(12) **United States Design Patent**
Seo et al.

(10) **Patent No.:** **US D788,193 S**

(45) **Date of Patent:** **** *May 30, 2017**

(54) **REFRIGERATOR**

(71) Applicant: **LG ELECTRONICS INC.**, Seoul (KR)

(72) Inventors: **Woonkyu Seo**, Seoul (KR); **Kyungsoo Park**, Seoul (KR); **Seonil Yu**, Seoul (KR); **Jaeyoung Kim**, Seoul (KR); **Hyein Yang**, Seoul (KR); **Jihyun Lee**, Seoul (KR)

(73) Assignee: **LG ELECTRONICS INC.**, Seoul (KR)

(*) Notice: This patent is subject to a terminal disclaimer.

(**) Term: **15 Years**

(21) Appl. No.: **29/549,788**

(22) Filed: **Dec. 28, 2015**

(30) **Foreign Application Priority Data**

Aug. 27, 2015 (KR) 30-2015-0043243

(51) **LOC (10) Cl.** **15-07**

(52) **U.S. Cl.**
USPC **D15/91**

(58) **Field of Classification Search**
USPC D15/79, 80, 81, 82, 83, 84, 85, 86, 87,
D15/88, 89, 90, 91

(Continued)

(56) **References Cited**

U.S. PATENT DOCUMENTS

D646,308 S * 10/2011 Kristiansen D15/91
D722,624 S * 2/2015 Cho D15/89

(Continued)

OTHER PUBLICATIONS

<https://www.youtube.com/watch?v=N31cKXL4t-w>—Published Sep. 2, 2016.*

(Continued)

Primary Examiner — Manpreet Matharu

Assistant Examiner — Mojtaba Tehrani

(74) *Attorney, Agent, or Firm* — Dentons US LLP

(57) **CLAIM**

We claim the ornamental design for a refrigerator, as shown and described.

DESCRIPTION

FIG. 1 is a perspective view of a refrigerator showing our new design with its double door closed;

FIG. 2 is a front elevation view thereof;

FIG. 3 is a rear elevation view thereof;

FIG. 4 is a left-side elevation view thereof;

FIG. 5 is a right-side elevation view thereof;

FIG. 6 is a top plan view thereof;

FIG. 7 is a bottom plan view thereof;

FIG. 8 is a perspective view with its outer door opened;

FIG. 9 is a front elevation view with its outer door opened;

FIG. 10 is a right-side elevation view with its outer door opened;

FIG. 11 is a top plan view with its outer door opened;

FIG. 12 is a perspective view with its inner and outer doors opened respectively;

FIG. 13 is a front elevation view with its inner and outer doors opened respectively;

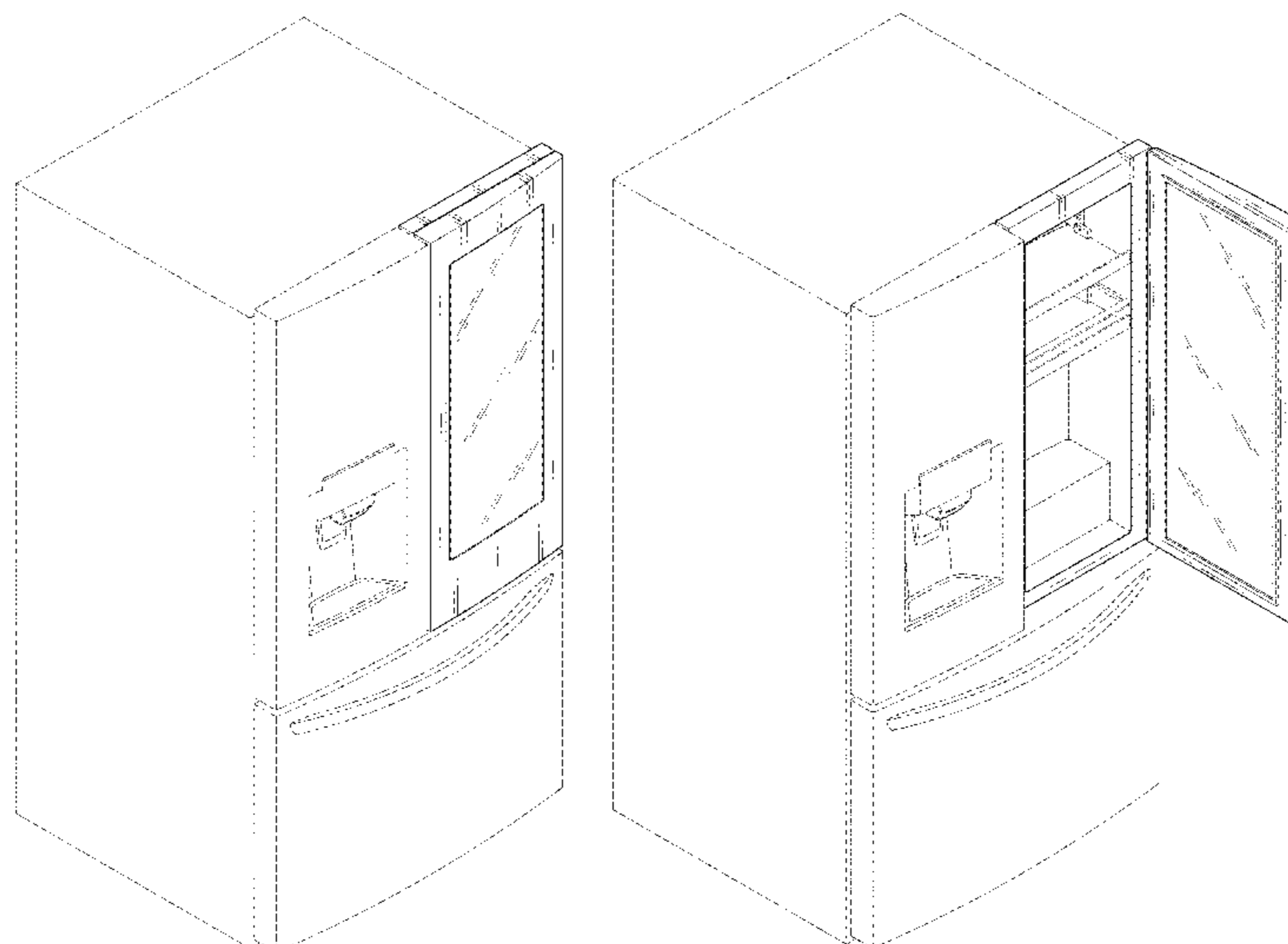
FIG. 14 is a right-side elevation view with its inner and outer doors opened respectively;

FIG. 15 is a top plan view with its inner and outer doors opened respectively; and,

FIG. 16 is a perspective view showing an illustration of use with its double door closed, the inside thereof being seen.

The broken lines in the drawing figures are included for the purpose of illustrating environment and form no part of the claimed design.

1 Claim, 15 Drawing Sheets



(58) **Field of Classification Search**
 CPC F25D 23/00; F25D 2323/021; F25D 11/00;
 F25D 2323/024; F25D 23/04; F25D
 25/024; F25D 27/005; F25D 23/12; F25D
 29/005; F25D 17/042; F25D 2325/021
 See application file for complete search history.

D760,822 S *	7/2016	Lee	D15/91
D760,823 S *	7/2016	Lee	D15/91
D760,824 S *	7/2016	Lee	D15/91
D761,333 S *	7/2016	Lee	D15/86
D761,334 S *	7/2016	Lee	D15/86
D761,336 S *	7/2016	Lee	D15/91
D765,151 S *	8/2016	Park	D15/81
D768,738 S *	10/2016	Lee	D15/91
D768,739 S *	10/2016	Lee	D15/91

(56) **References Cited**

U.S. PATENT DOCUMENTS

D722,625 S *	2/2015	Cho	D15/89
D723,595 S *	3/2015	You	D15/91
D730,958 S *	6/2015	Choi	D15/91
D742,437 S *	11/2015	Choi	D15/91
D744,551 S *	12/2015	Park	D15/91
D757,131 S *	5/2016	Lee	D15/91
D759,132 S *	6/2016	Kwon	D15/91
D760,819 S *	7/2016	Lee	D15/86
D760,820 S *	7/2016	Lee	D15/91
D760,821 S *	7/2016	Lee	D15/91

OTHER PUBLICATIONS

<http://refrigerators.reviewed.com/news/this-lg-fridge-lets-you-see-whats-inside-without-opening-it>—Published Aug. 24, 2016.*
<http://www.samsung.com/us/home-appliances/refrigerators/french-door/36-wide-28-cu-ft-capacity-3-door-french-door-food-show-case-refrigerator-black-rf28hdedpbc-aa/>—As early as Jun. 19, 2014.*

* cited by examiner

FIG. 1

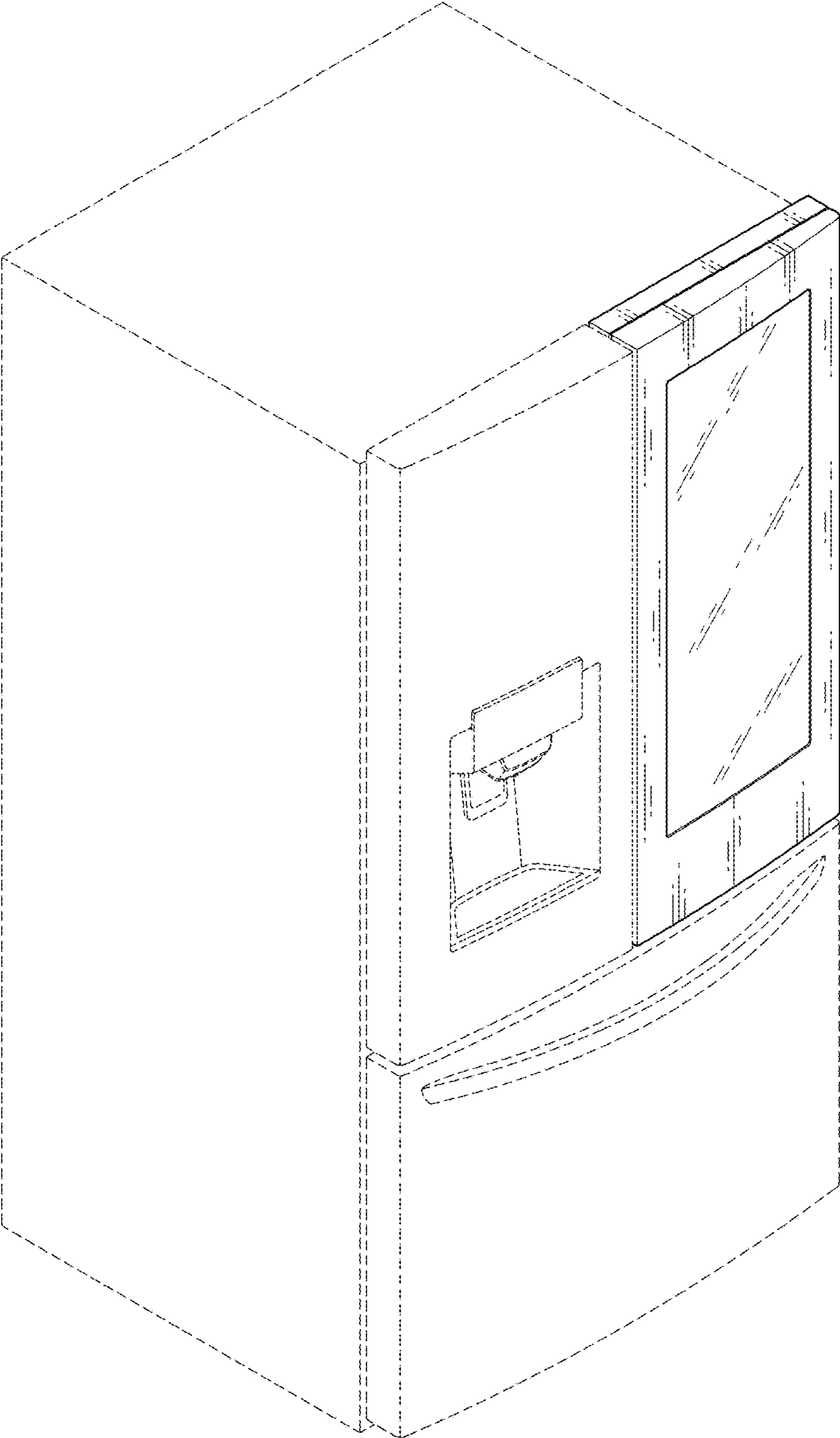


FIG. 2

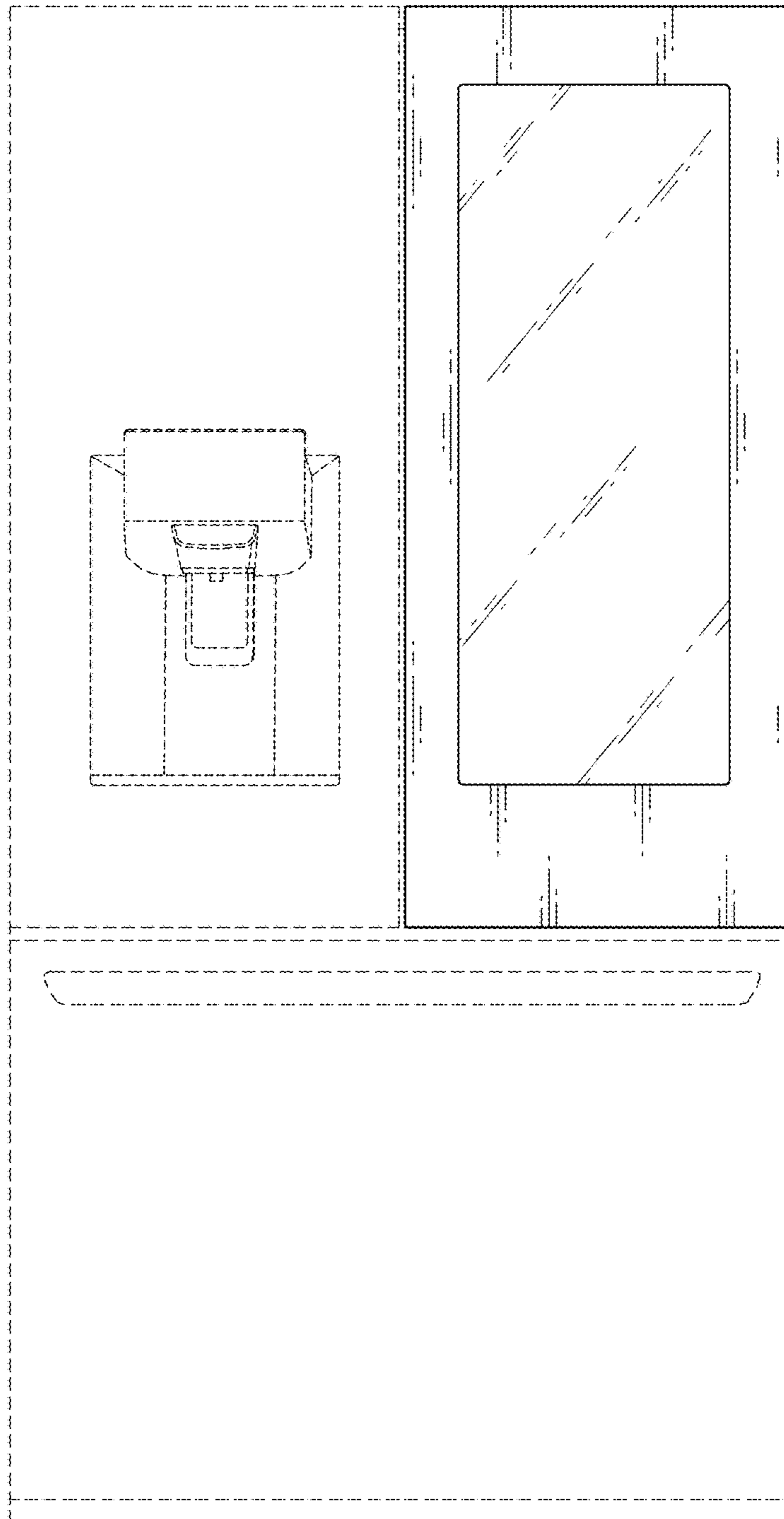


FIG. 3

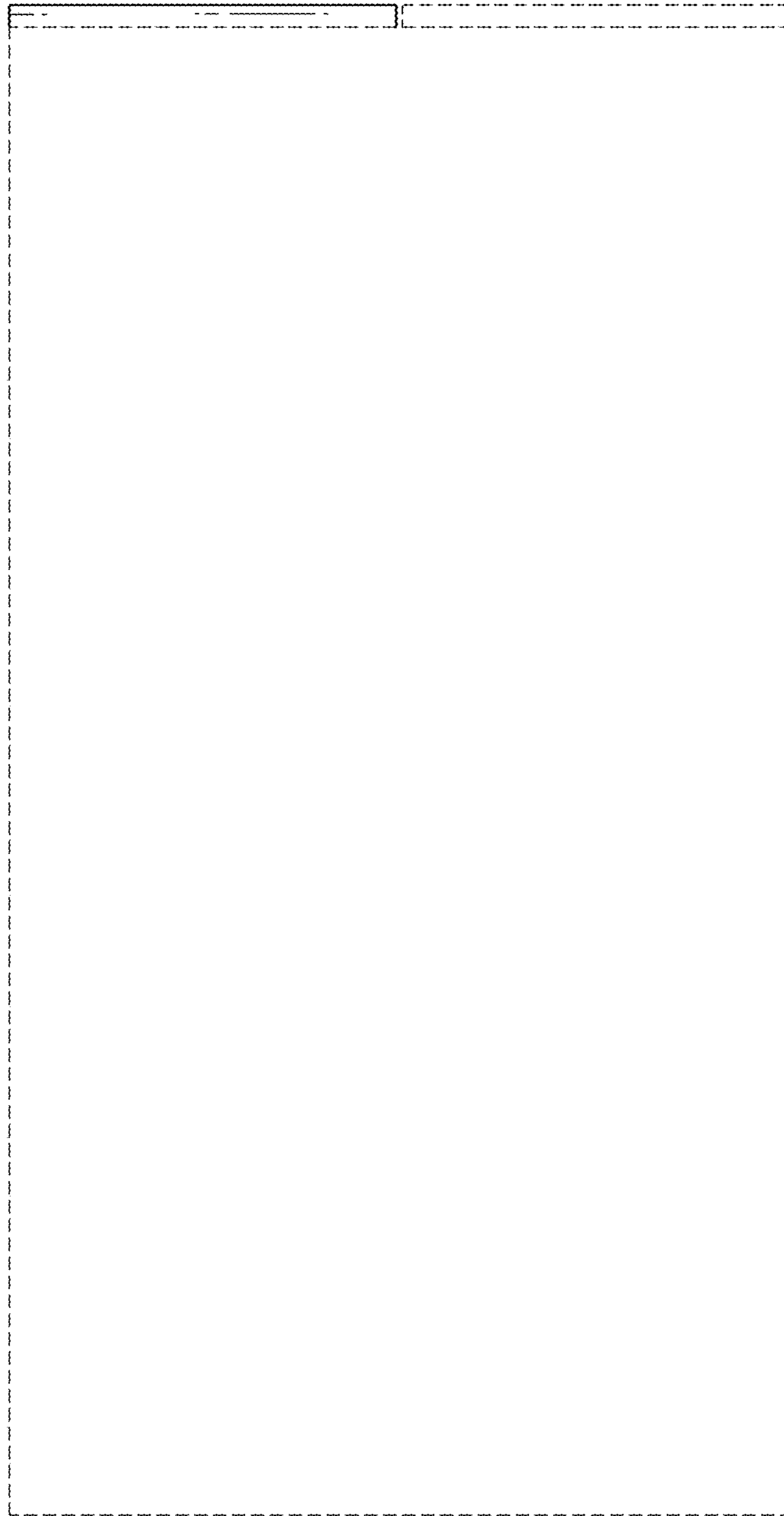


FIG. 4

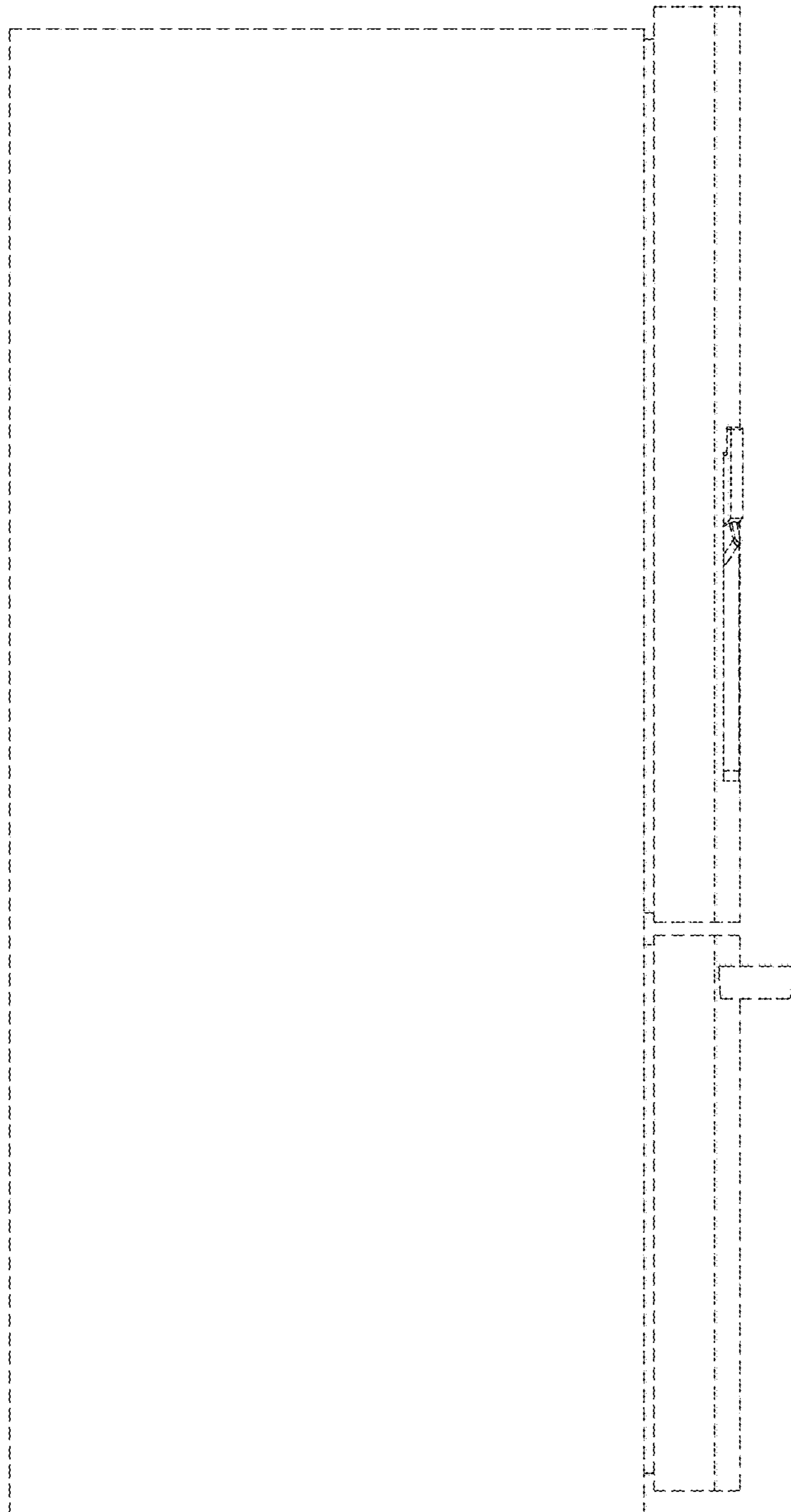


FIG. 5

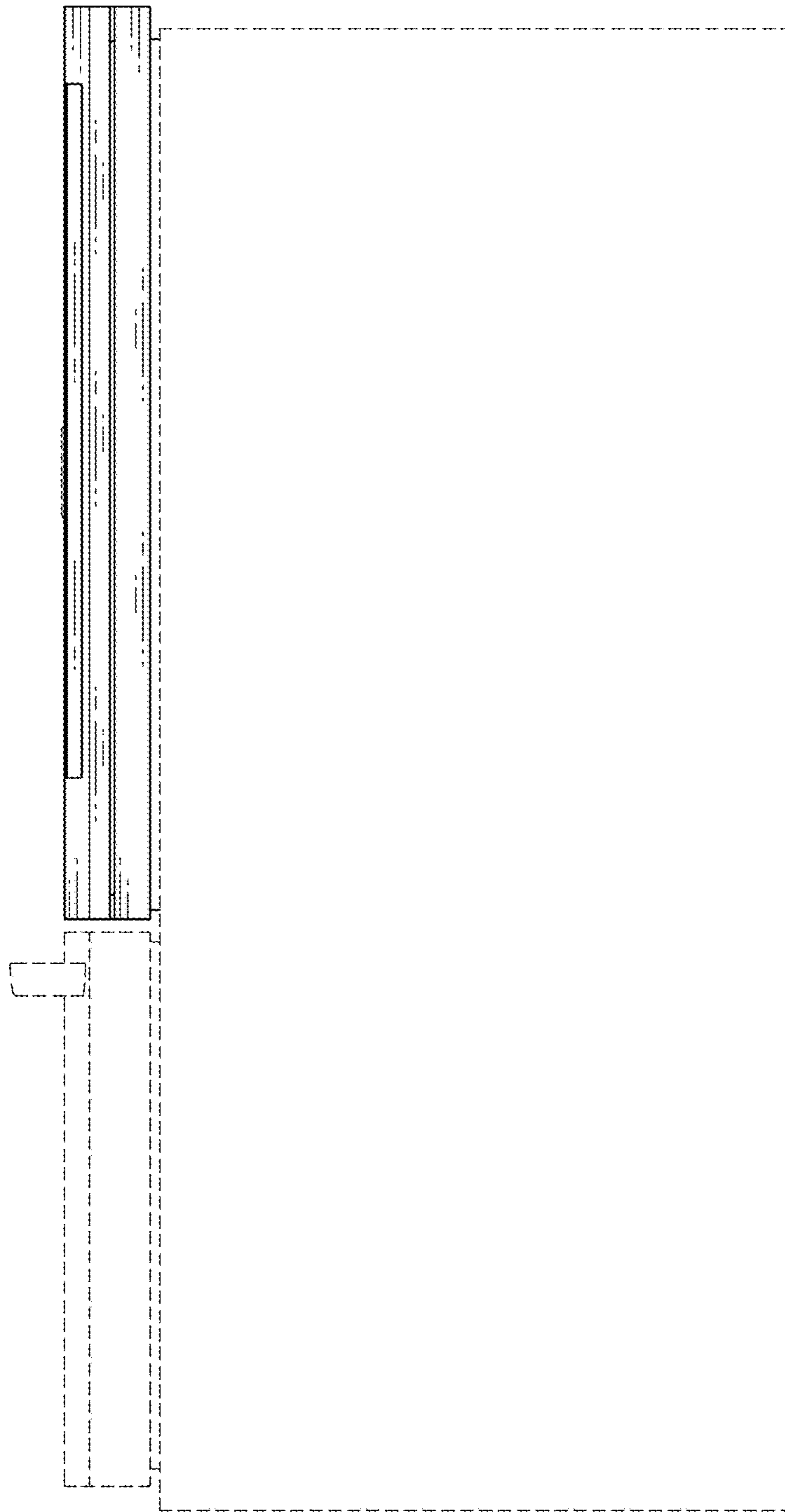


FIG. 6

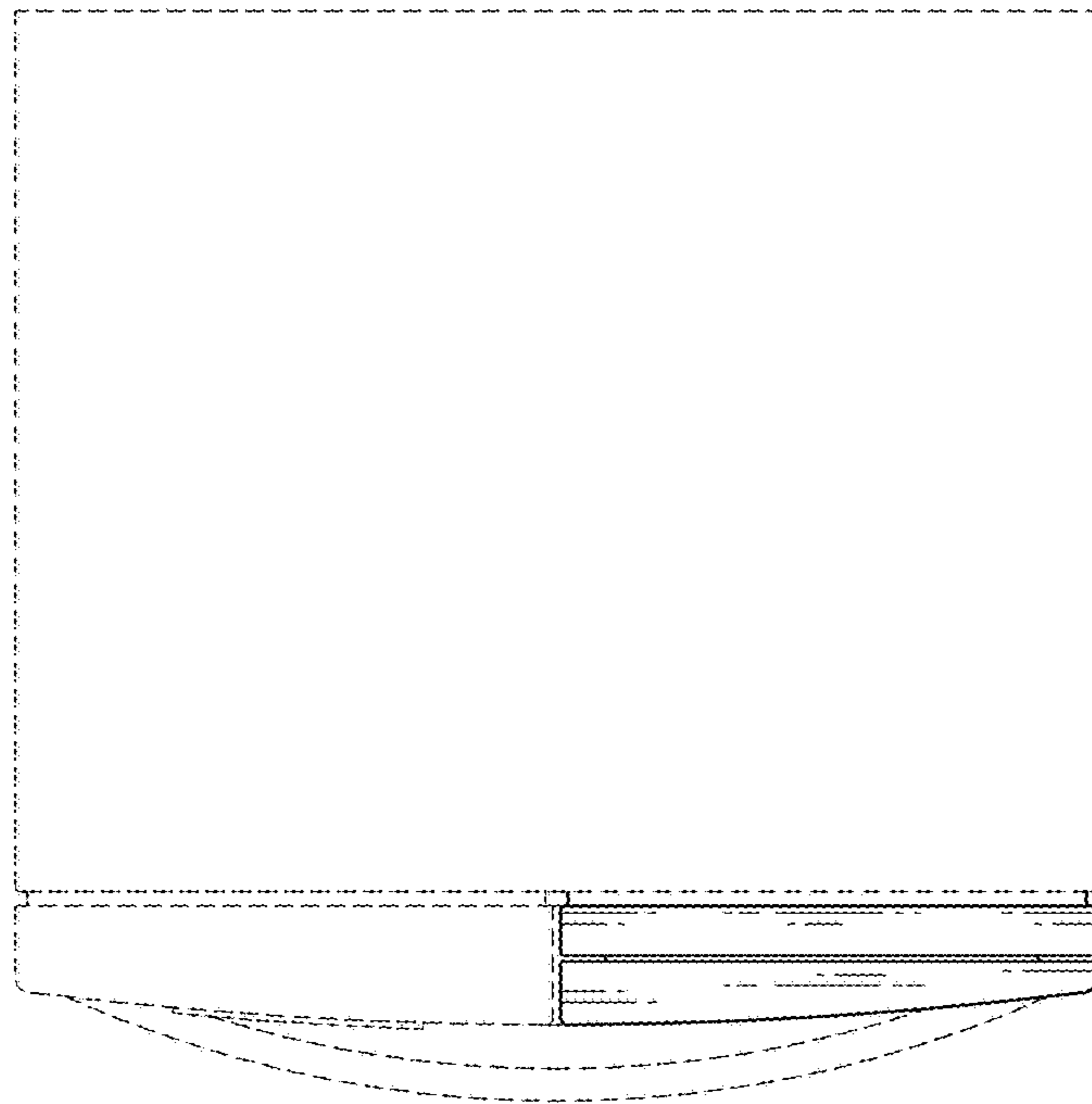


FIG. 7

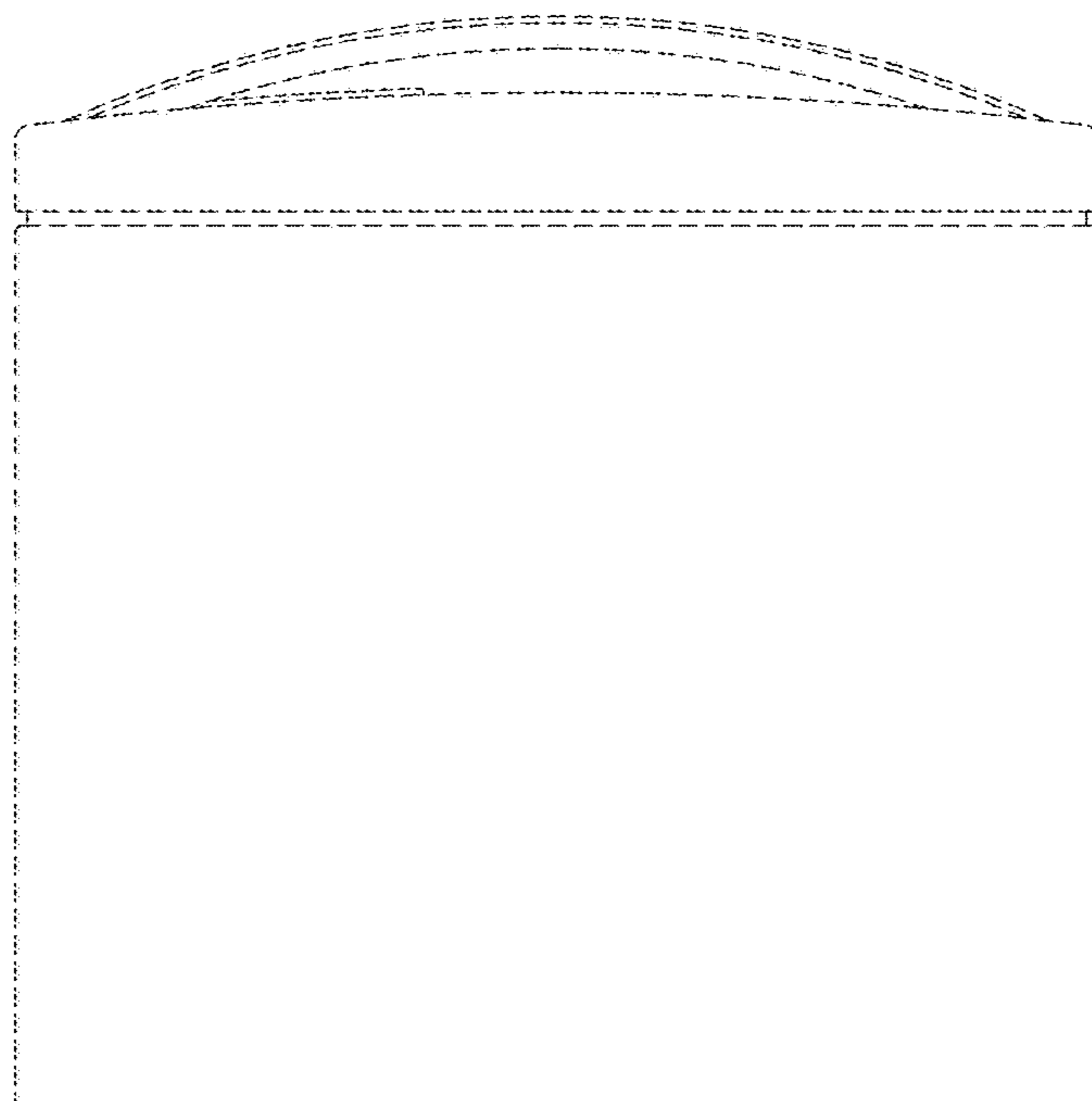


FIG. 8

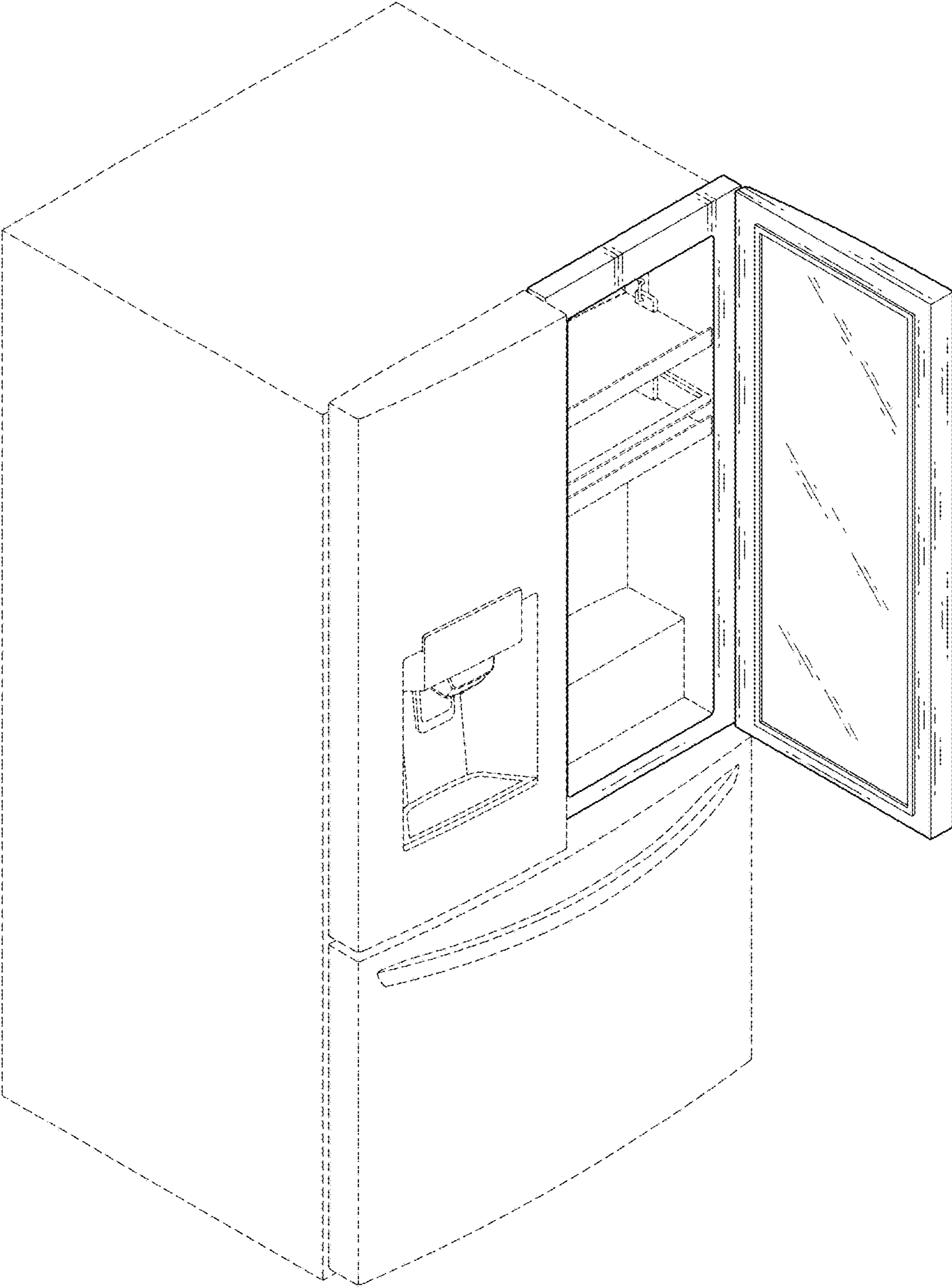


FIG. 9

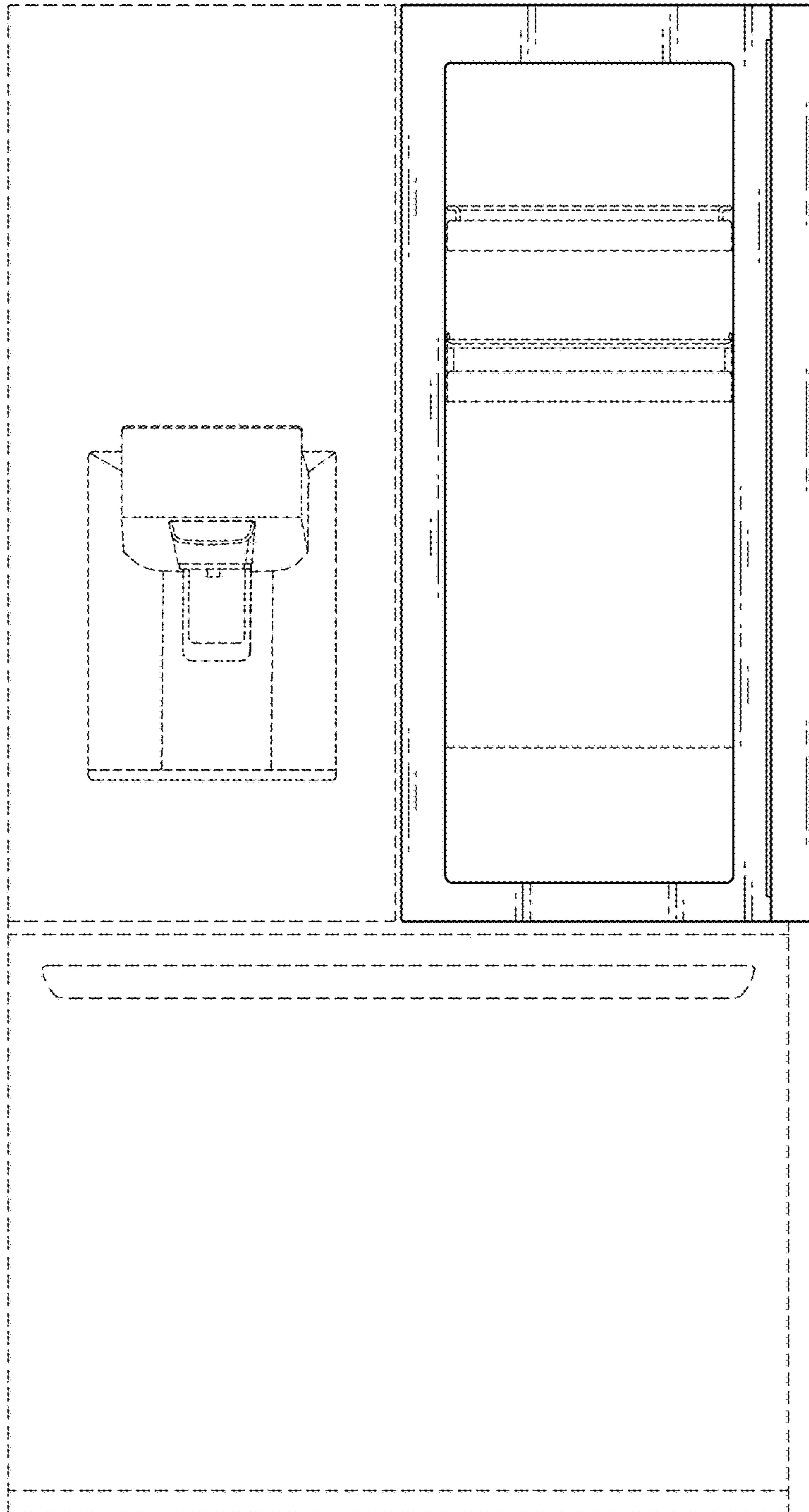


FIG. 10

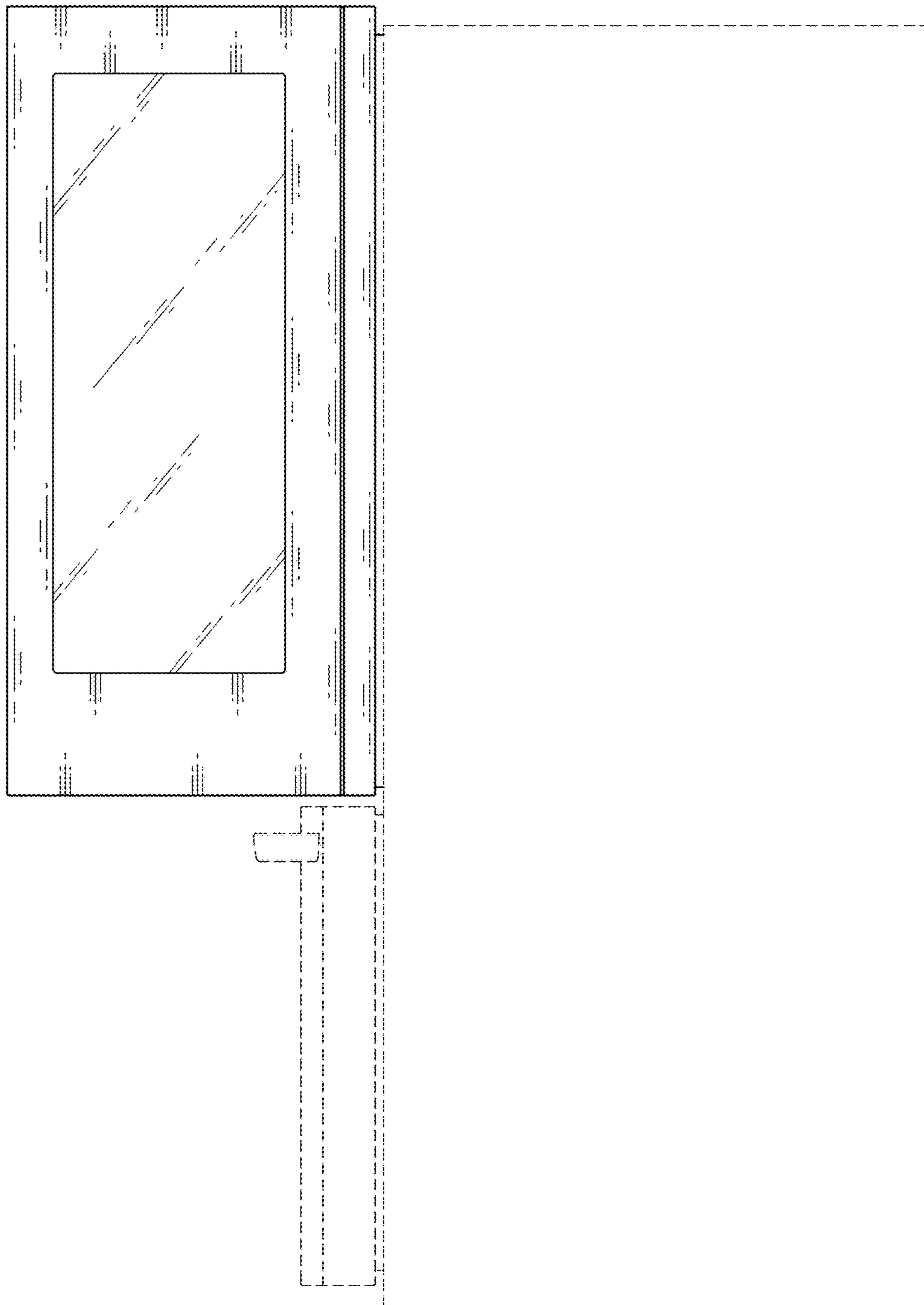


FIG. 11

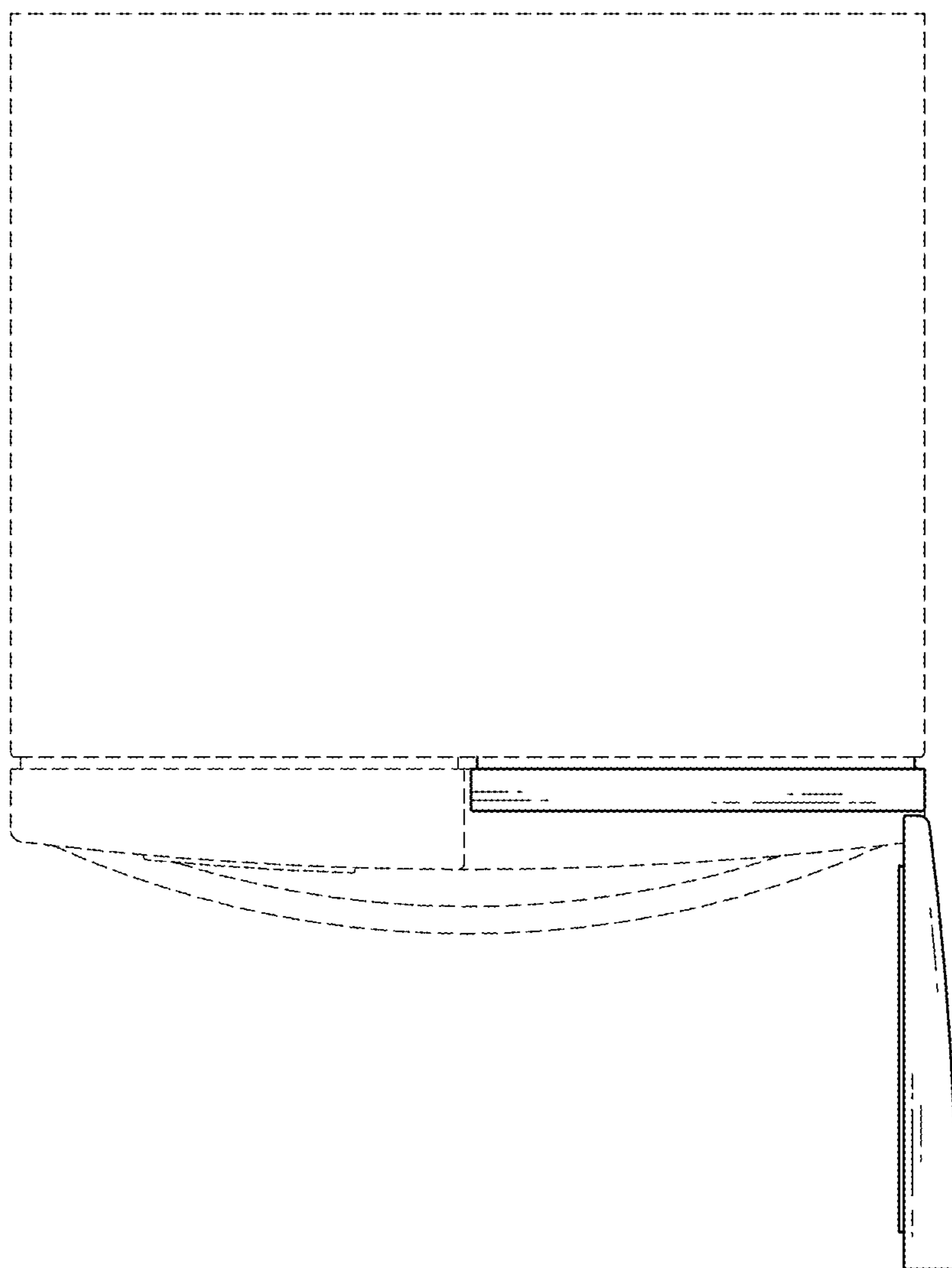


FIG. 12

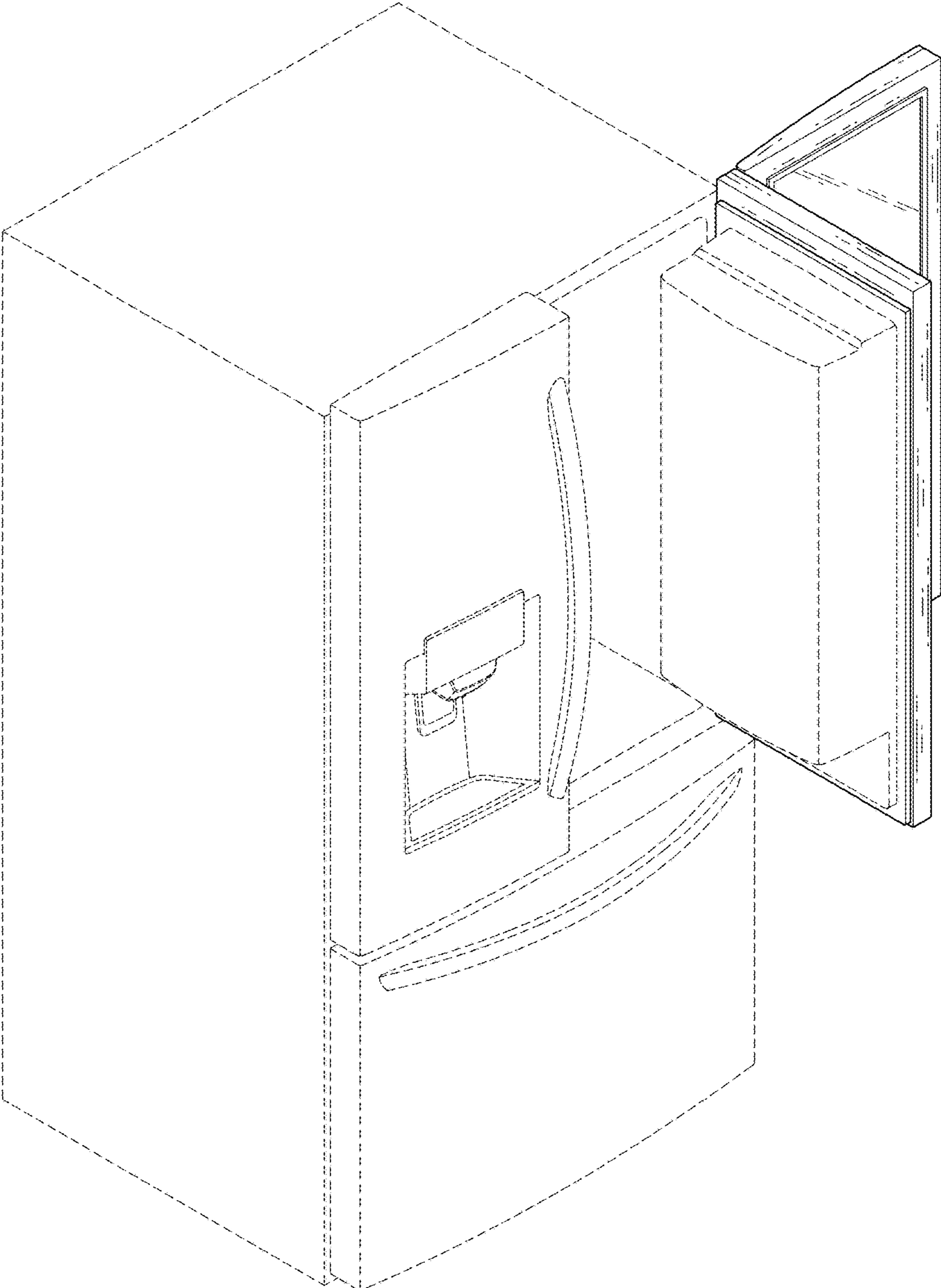


FIG. 13

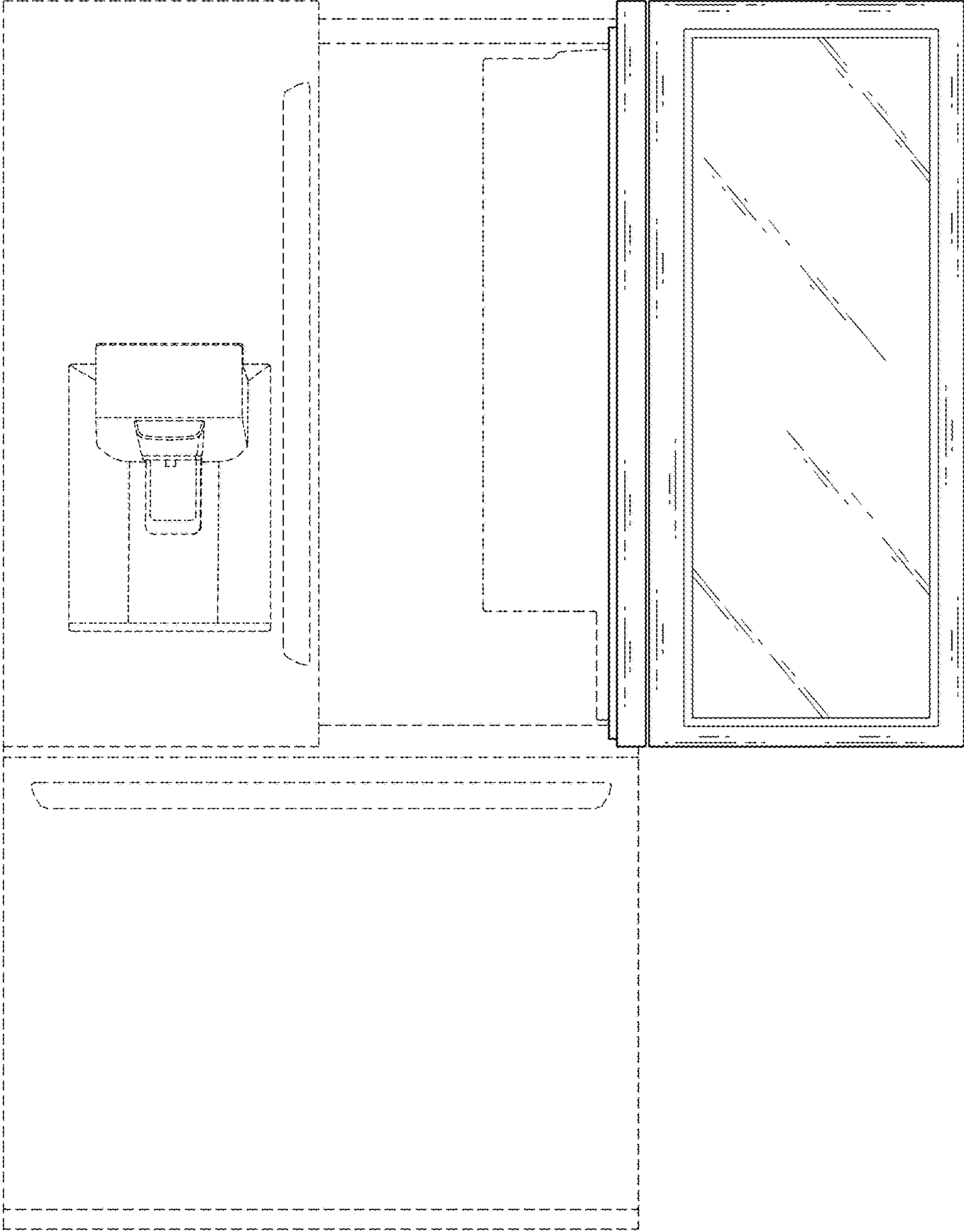


FIG. 14

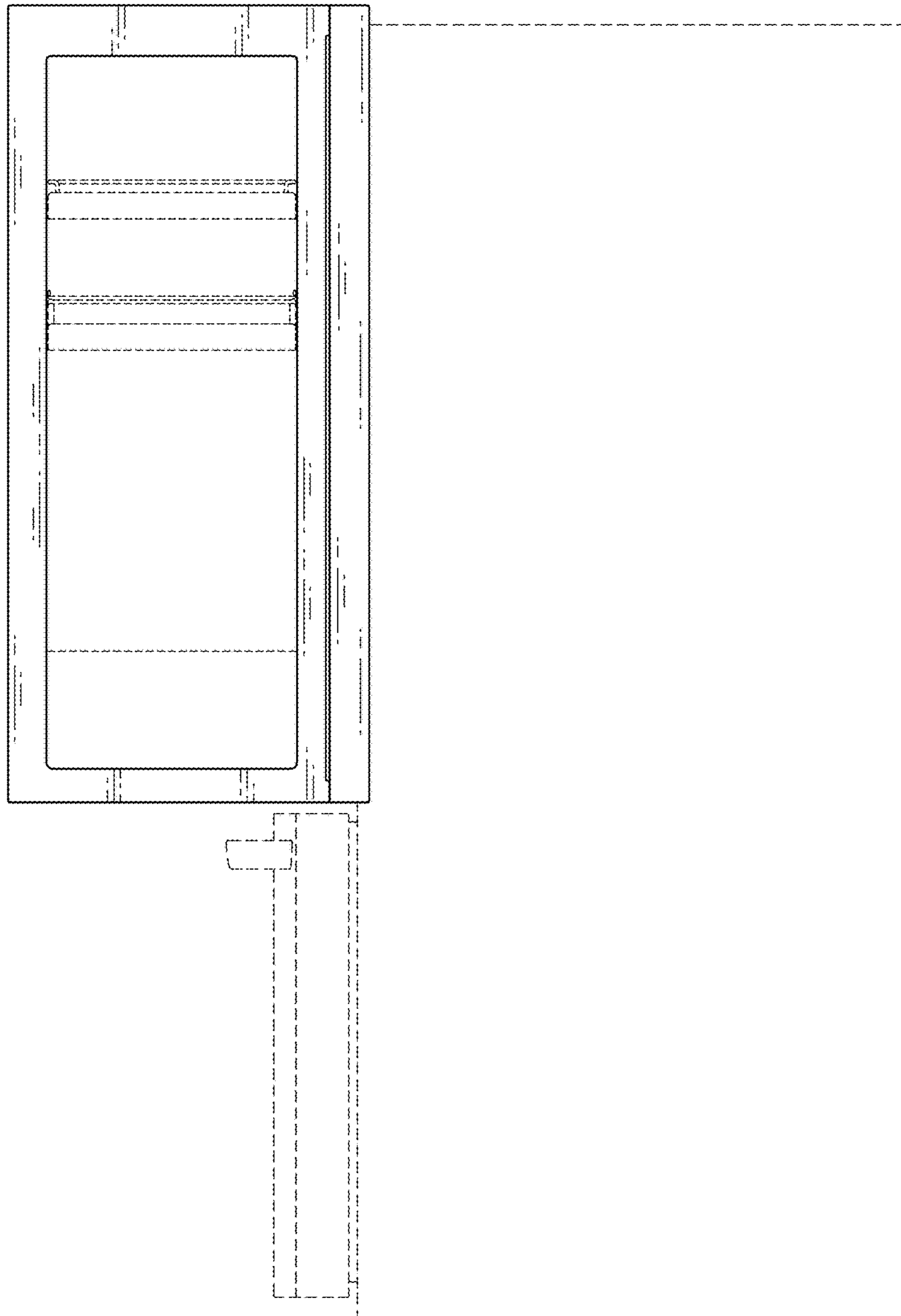


FIG. 15

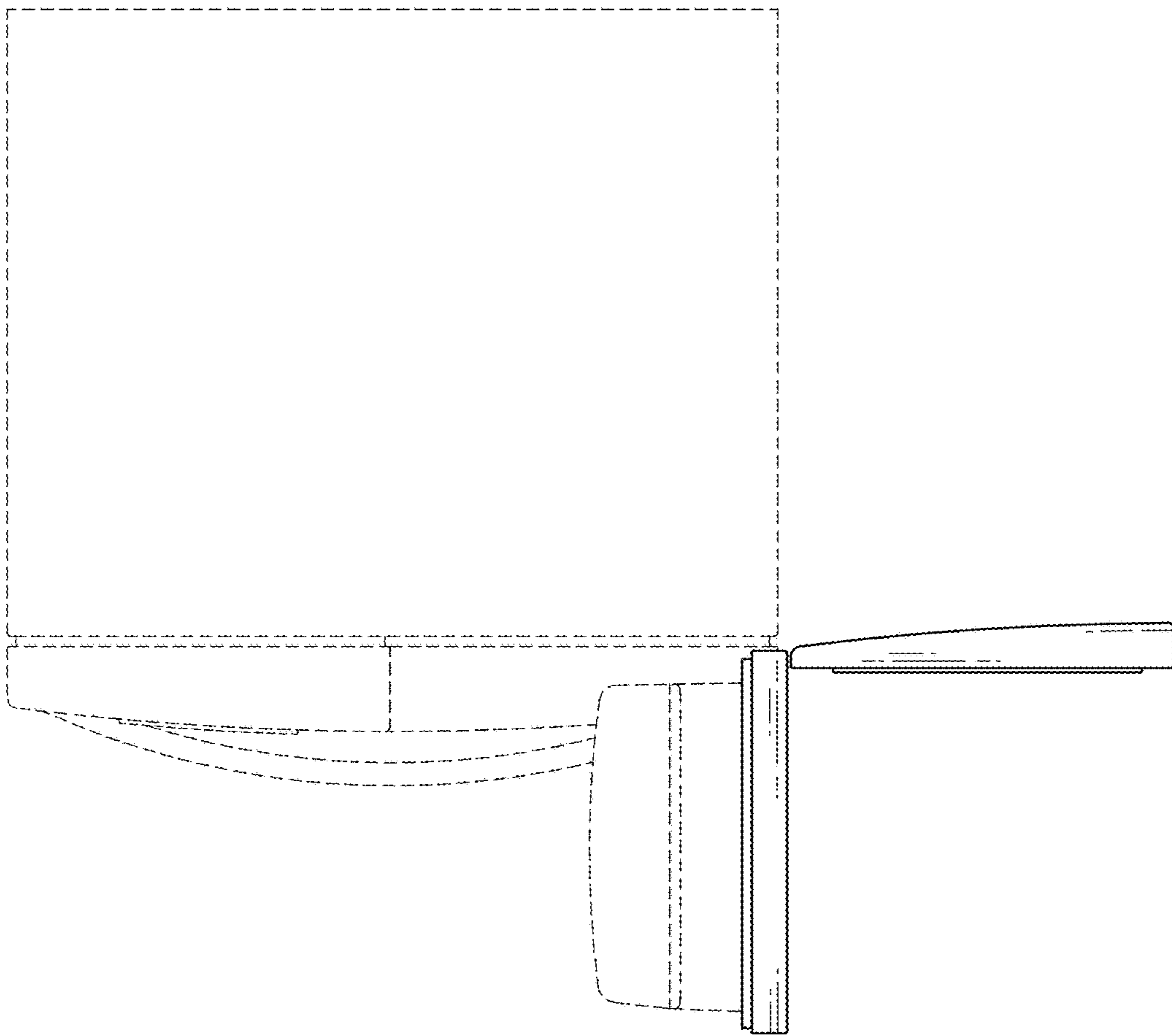


FIG. 16

