



US00D788192S

(12) **United States Design Patent** (10) **Patent No.:** **US D788,192 S**
Seiders et al. (45) **Date of Patent:** **** May 30, 2017**

(54) **ICE PACK**

(56) **References Cited**

(71) Applicant: **YETI Coolers, LLC**, Austin, TX (US)

U.S. PATENT DOCUMENTS

(72) Inventors: **Roy Joseph Seiders**, Austin, TX (US);
John Alan Tolman, Austin, TX (US)

D351,532 S *	10/1994	Wolfenden	D15/90
D359,966 S *	7/1995	Laib	D15/90
D658,216 S *	4/2012	Sorensen	D15/90
D665,000 S *	8/2012	Morelli	D15/90
D665,430 S *	8/2012	Sorensen	D15/90
D711,438 S	8/2014	Garg	
D711,439 S	8/2014	Garg	
D712,442 S	9/2014	Garg	
D733,195 S	6/2015	Lum	
D741,920 S *	10/2015	Seiders	D15/90
D746,343 S *	12/2015	Mount	D15/90

(73) Assignee: **YETI Coolers, LLC**, Austin, TX (US)

(**) Term: **15 Years**

(21) Appl. No.: **29/543,579**

(22) Filed: **Oct. 26, 2015**

* cited by examiner

Related U.S. Application Data

(63) Continuation of application No. 29/500,920, filed on Aug. 29, 2014, now Pat. No. Des. 741,919.

Primary Examiner — Daniel Bui

Assistant Examiner — Khawaja Anwar

(74) *Attorney, Agent, or Firm* — Banner & Witcoff, Ltd.

(51) **LOC (10) Cl.** **15-07**

(57) **CLAIM**

The ornamental design for an ice pack, as shown and described.

(52) **U.S. Cl.**

USPC **D15/90**

DESCRIPTION

(58) **Field of Classification Search**

USPC D15/79, 80, 82, 89, 90

CPC F25B 21/02; F25B 2321/02; F25B 1/005;

F25B 2321/0252; F25B 1/00; F25B 1/10;

F25B 21/04; F25B 2339/047; F25B 5/02;

F25B 7/00; F25B 13/00; F25B 1/053;

F25B 2309/06; F25B 2321/021; F25B

2321/023; F25D 23/028; F25D 23/02;

F25D 25/025; F25D 23/00; F25D

2323/021; F25D 11/00; F25D 2323/024;

F25D 23/04; F25D 29/00; F25D 25/02;

F25D 25/024; F25D 27/005; F25D 23/12;

F25D 29/005; F25D 17/042; F25D

2325/021

FIG. 1 is a top, front, right perspective view of an ice pack showing our new design;

FIG. 2 is a front view thereof;

FIG. 3 is a rear view thereof;

FIG. 4 is a right side view thereof;

FIG. 5 is a left side view thereof;

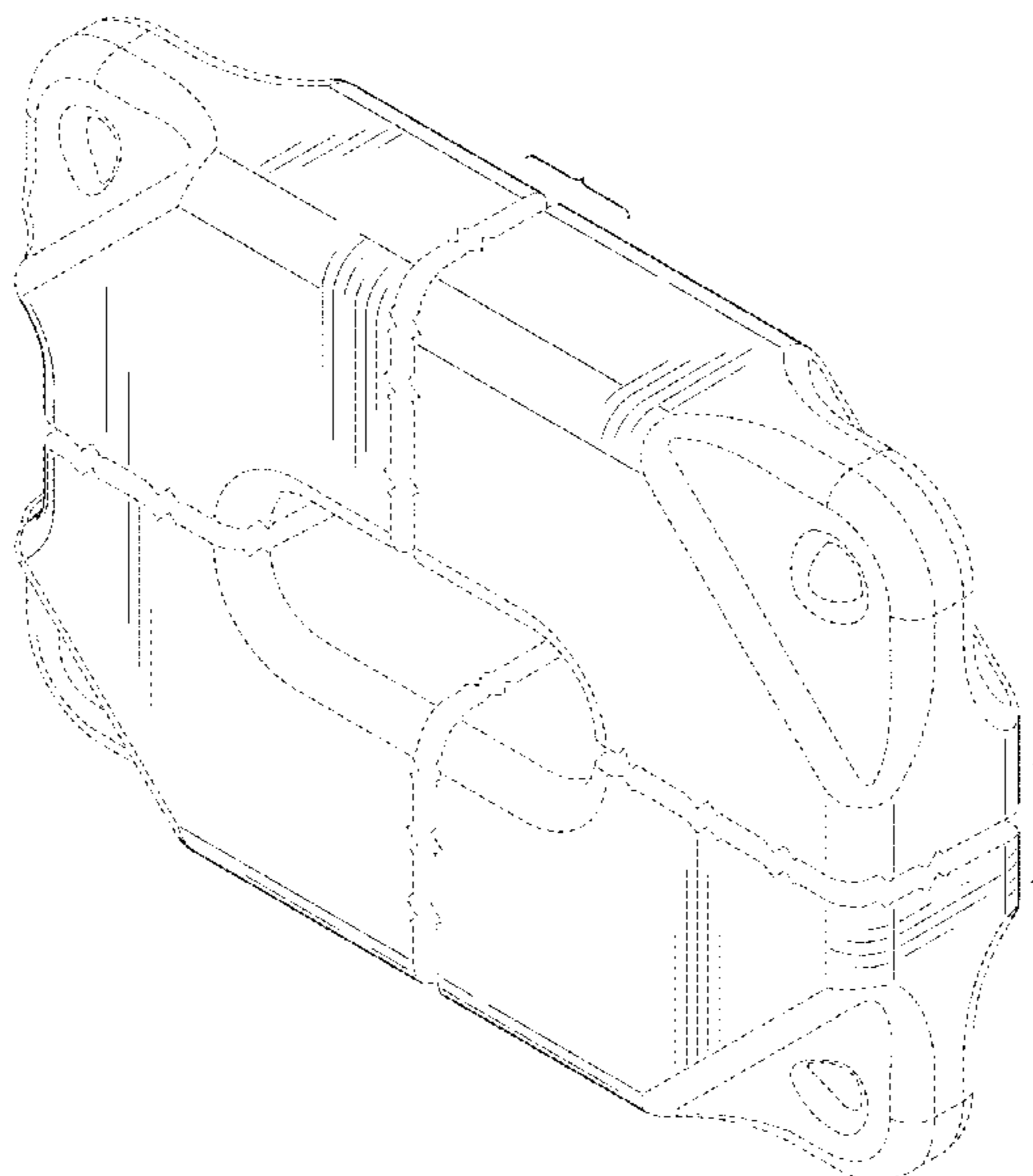
FIG. 6 is a top view thereof; and,

FIG. 7 is a bottom view thereof.

The broken lines immediately adjacent to the shaded area represent unclaimed boundaries of the design. The broken lines showing the remainder of the ice pack are for environmental purposes only and form no part of the claimed design. The bracketed portions shown in the FIGS. 1-7 showing a break in the surface represent indeterminate length and form no part of the claimed design.

See application file for complete search history.

1 Claim, 5 Drawing Sheets



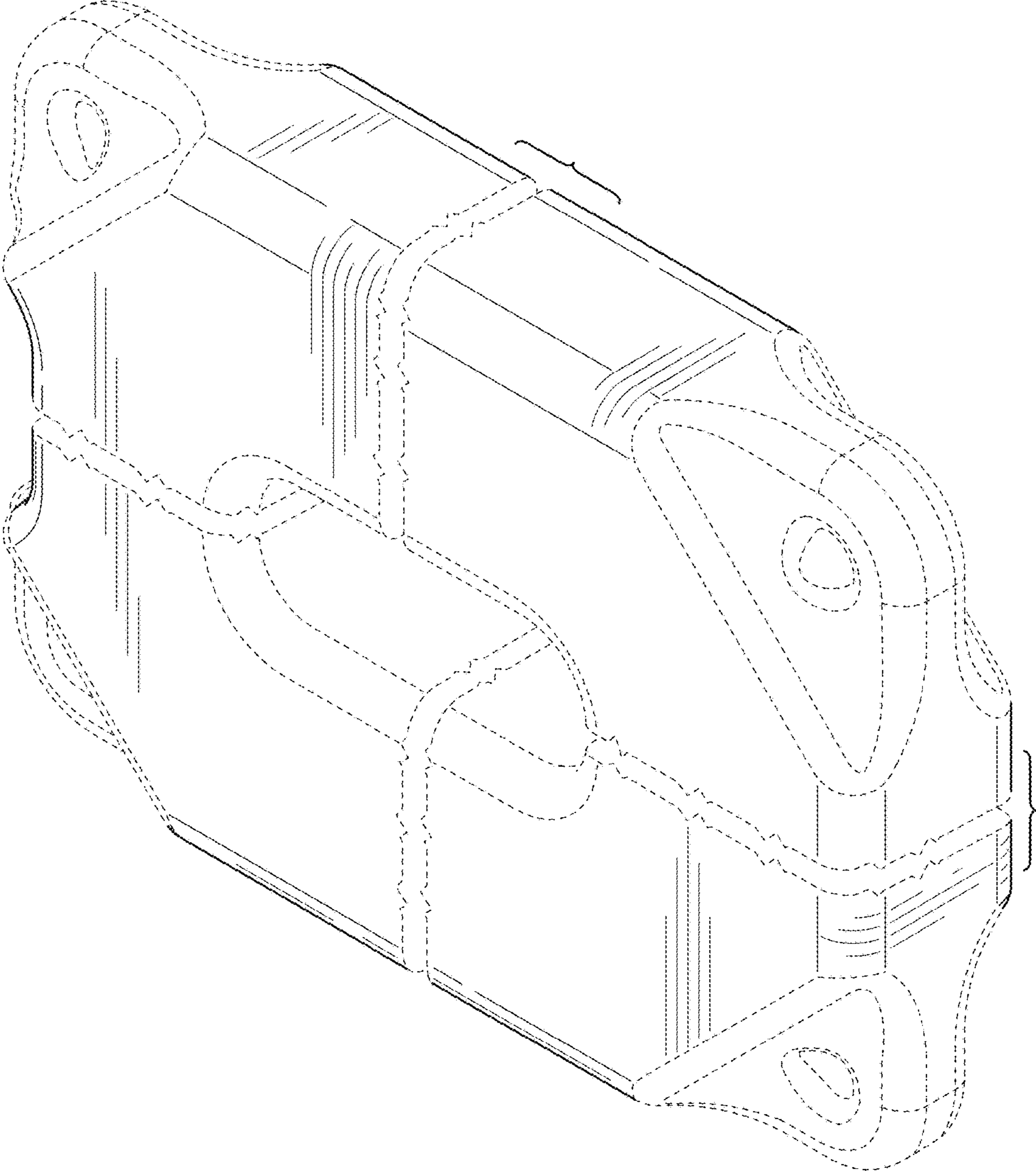


FIG. 1

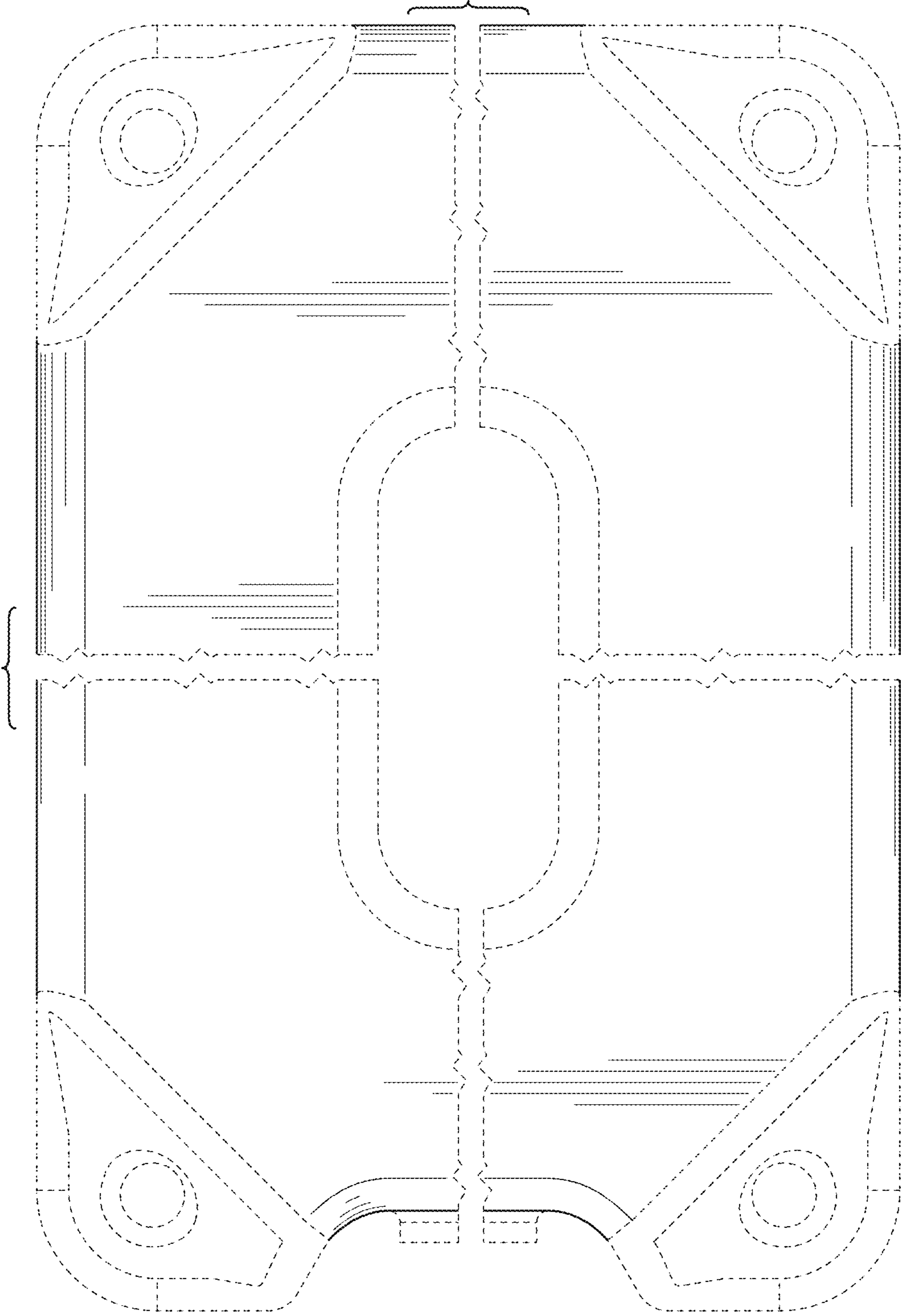


FIG. 2

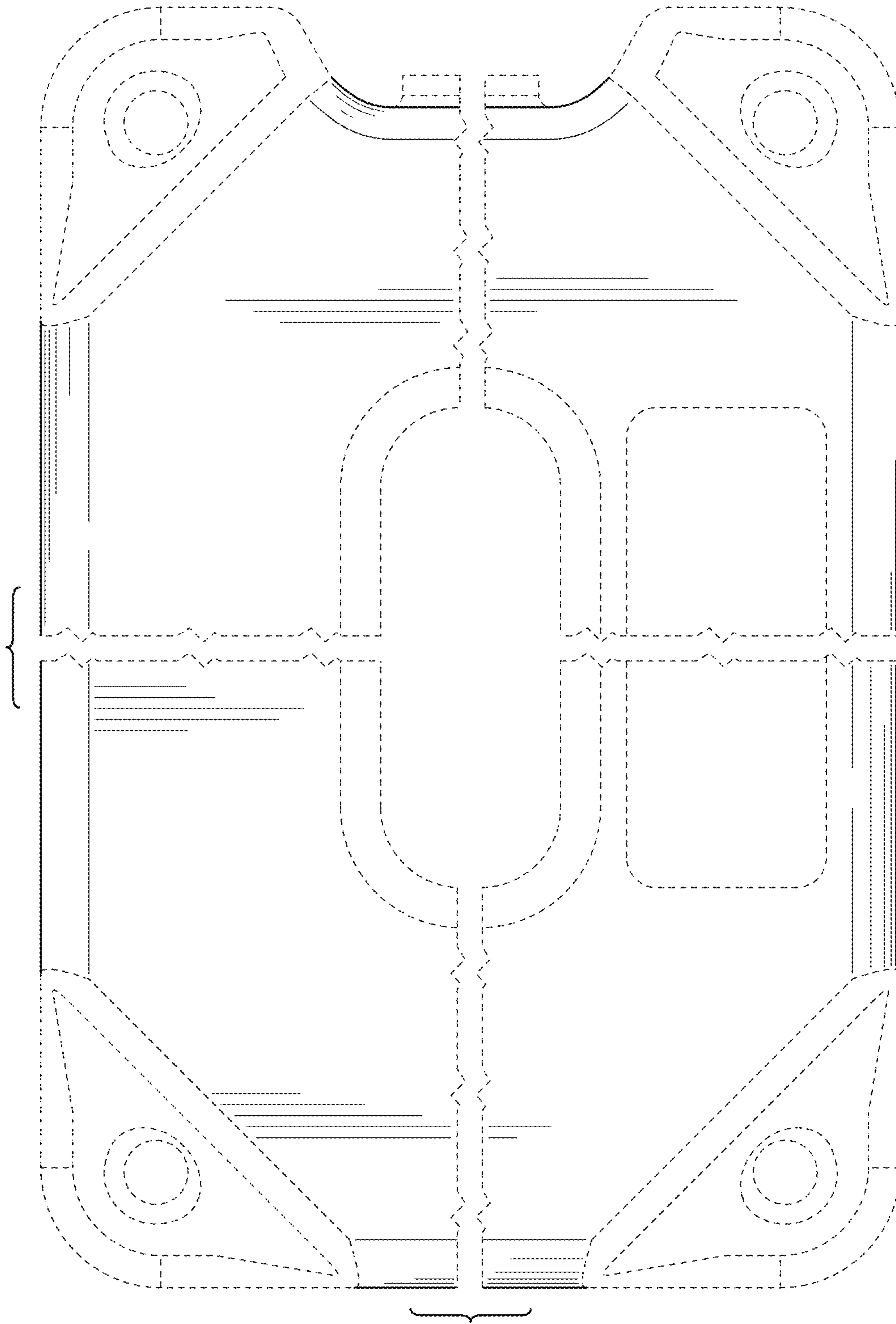


FIG. 3

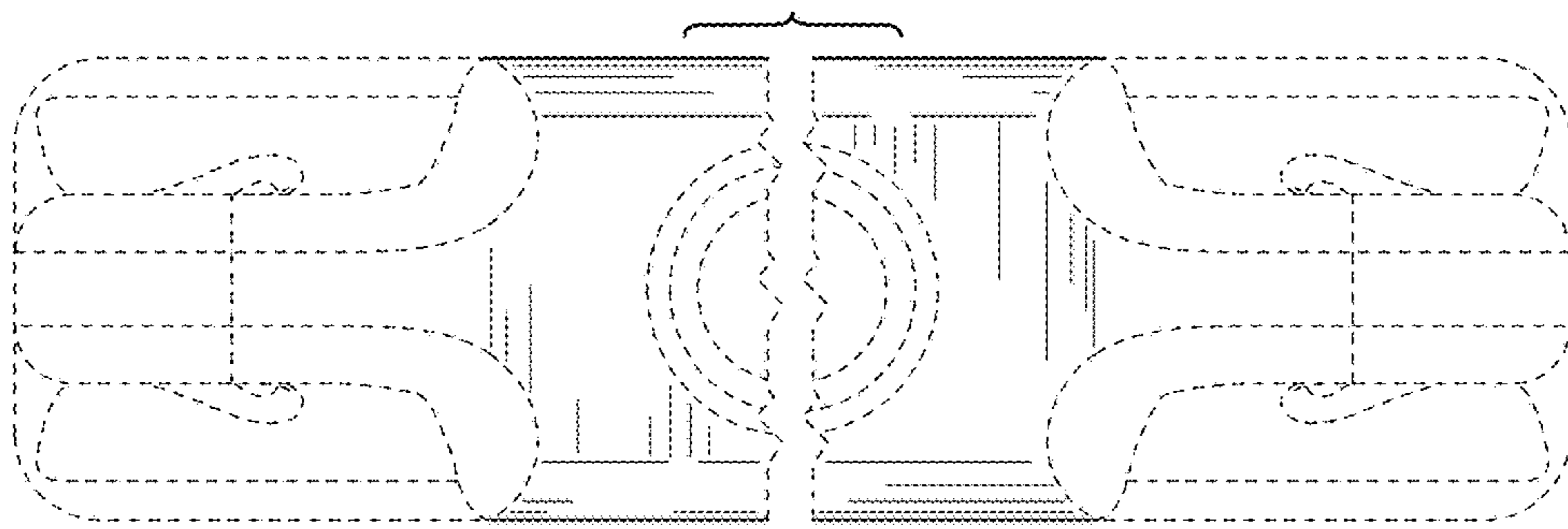


FIG. 5

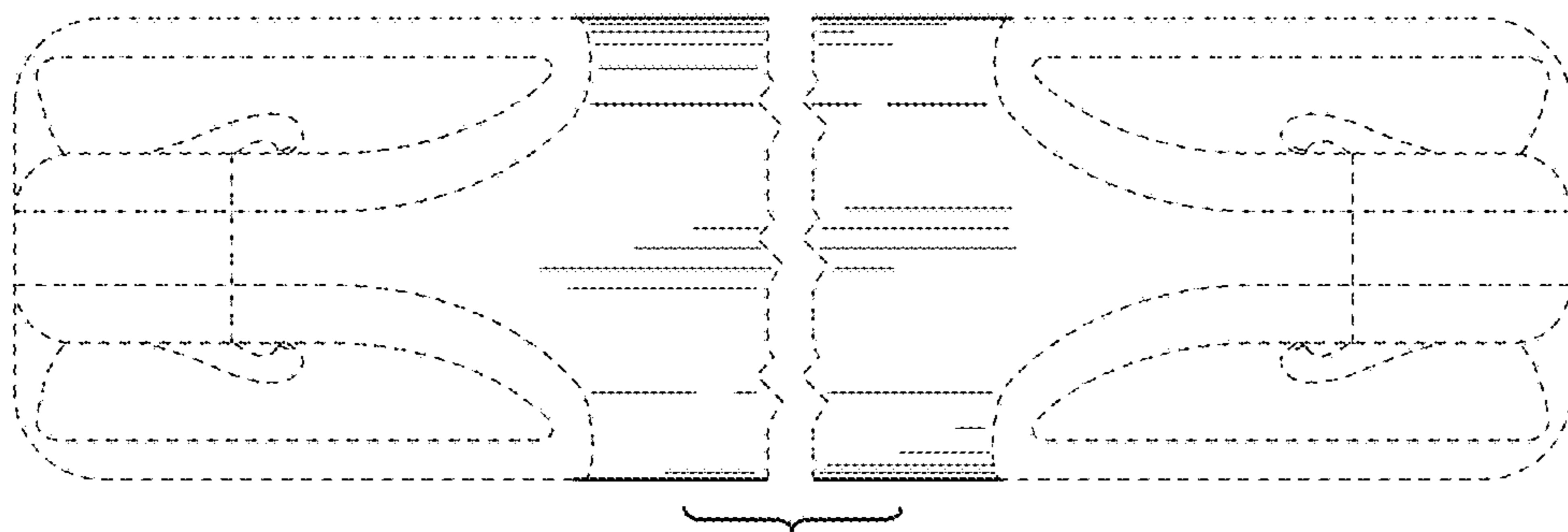


FIG. 4

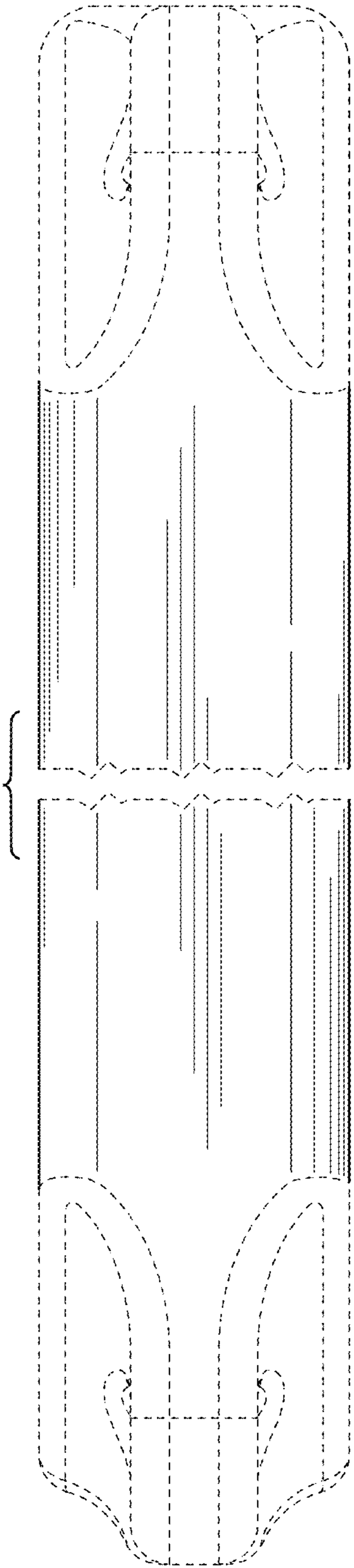


FIG. 6

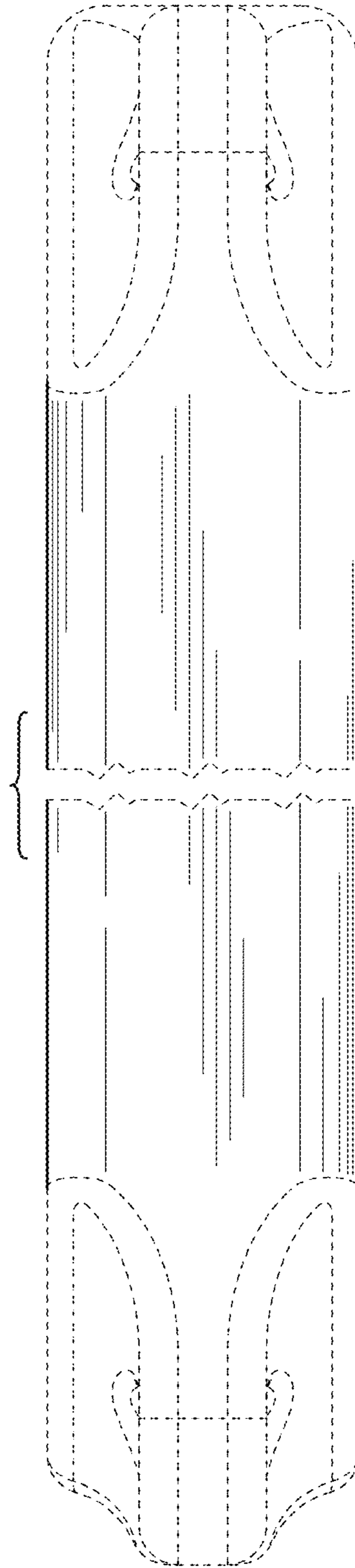


FIG. 7